



US00D649644S

(12) **United States Design Patent**  
**Chai**

(10) **Patent No.:** **US D649,644 S**

(45) **Date of Patent:** **\*\* Nov. 29, 2011**

(54) **DEFIBRILLATOR**

(75) Inventor: **Haibo Chai**, Shenzhen (CN)

(73) Assignee: **Shenzhen Mindray Bio-Medical Electronics Co., Ltd.**, Shenzhen (CN)

(\*\*) Term: **14 Years**

(21) Appl. No.: **29/379,230**

(22) Filed: **Nov. 16, 2010**

(30) **Foreign Application Priority Data**

Jul. 1, 2010 (CN) ..... 2010 3 0233648

(51) **LOC (9) Cl.** ..... **24-01**

(52) **U.S. Cl.** ..... **D24/164**

(58) **Field of Classification Search** ..... D24/165-168,  
D24/186, 107; D10/98; 600/356; 439/909;  
607/2, 4-9, 119, 142, 145

See application file for complete search history.

(56) **References Cited**

**U.S. PATENT DOCUMENTS**

D273,039	S	*	3/1984	Behrens	.....	D24/167
5,562,710	A	*	10/1996	Olsen et al.	.....	607/5
D393,072	S	*	3/1998	Rogler	.....	D24/186
5,935,152	A	*	8/1999	Merry et al.	.....	607/5
D415,279	S	*	10/1999	Daynes et al.	.....	D24/167
D455,492	S	*	4/2002	Daynes et al.	.....	D24/167
6,714,817	B2	*	3/2004	Daynes et al.	.....	607/5
D491,270	S	*	6/2004	Barker	.....	D24/186

D592,754	S	*	5/2009	Koike et al.	.....	D24/186
7,603,173	B2	*	10/2009	Parascandola et al.	.....	D24/168
D621,511	S	*	8/2010	Lathrop et al.	.....	D24/167
D623,301	S	*	9/2010	Wung	.....	D24/167

\* cited by examiner

*Primary Examiner* — Anhdao Doan

(74) *Attorney, Agent, or Firm* — Kory D. Christensen; Stoel Rives LLP

(57) **CLAIM**

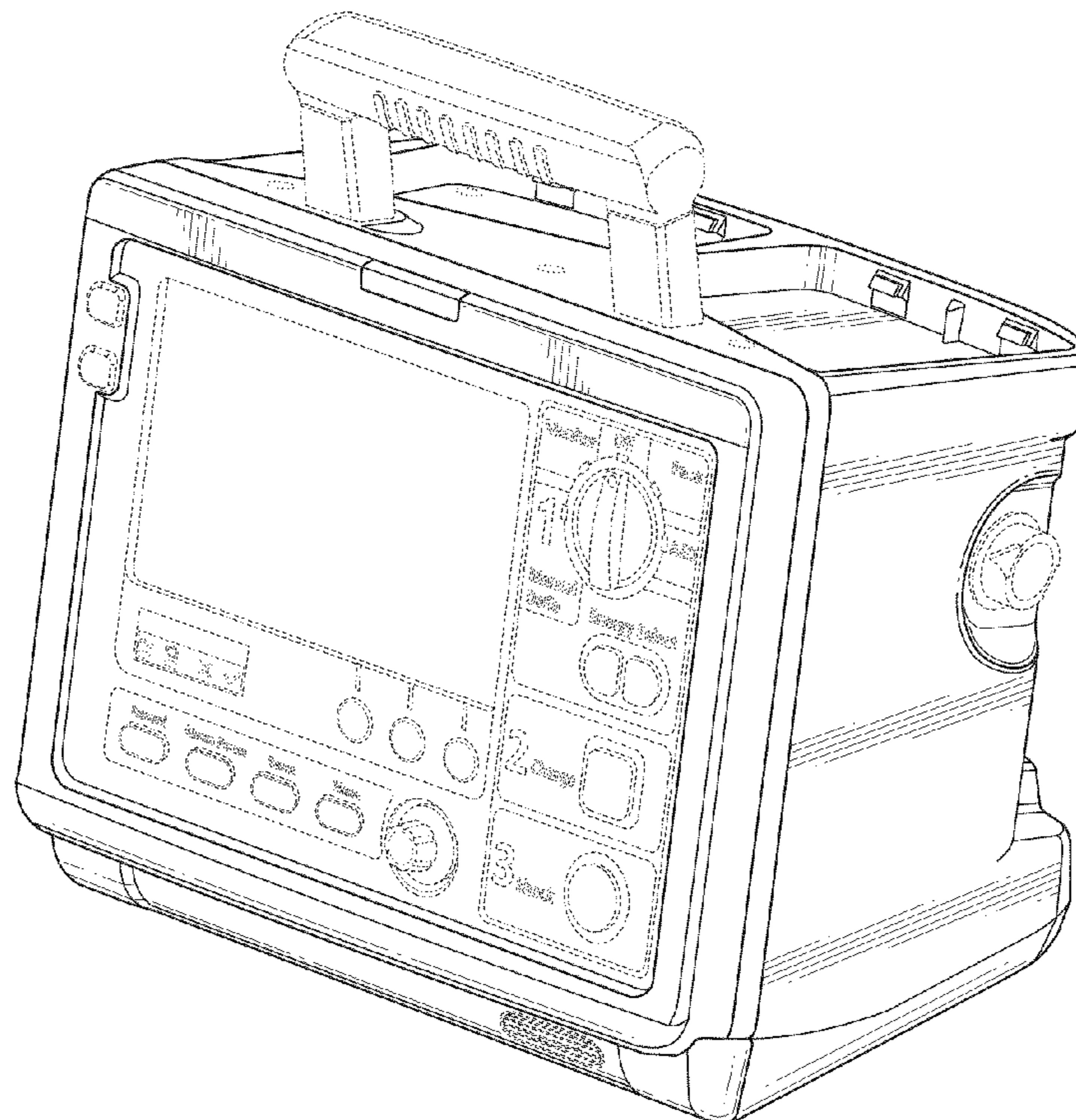
The ornamental design for a defibrillator, as shown and described.

**DESCRIPTION**

FIG. 1 is a front elevation view of a defibrillator, showing my new design;  
FIG. 2 is a rear elevation view thereof;  
FIG. 3 is a left side elevation view thereof;  
FIG. 4 is a right side elevation view thereof;  
FIG. 5 is a bottom plan view thereof;  
FIG. 6 is a top plan view thereof;  
FIG. 7 is a first front perspective view thereof; and,  
FIG. 8 is a second front perspective view thereof.

The broken lines immediately adjacent the shaded areas represent the bounds of the claimed design, while all other broken lines, including the defibrillator paddles shown in FIG. 8, are directed to environment and are for illustrative purposes only; the broken lines form no part of the claimed design.

**1 Claim, 4 Drawing Sheets**



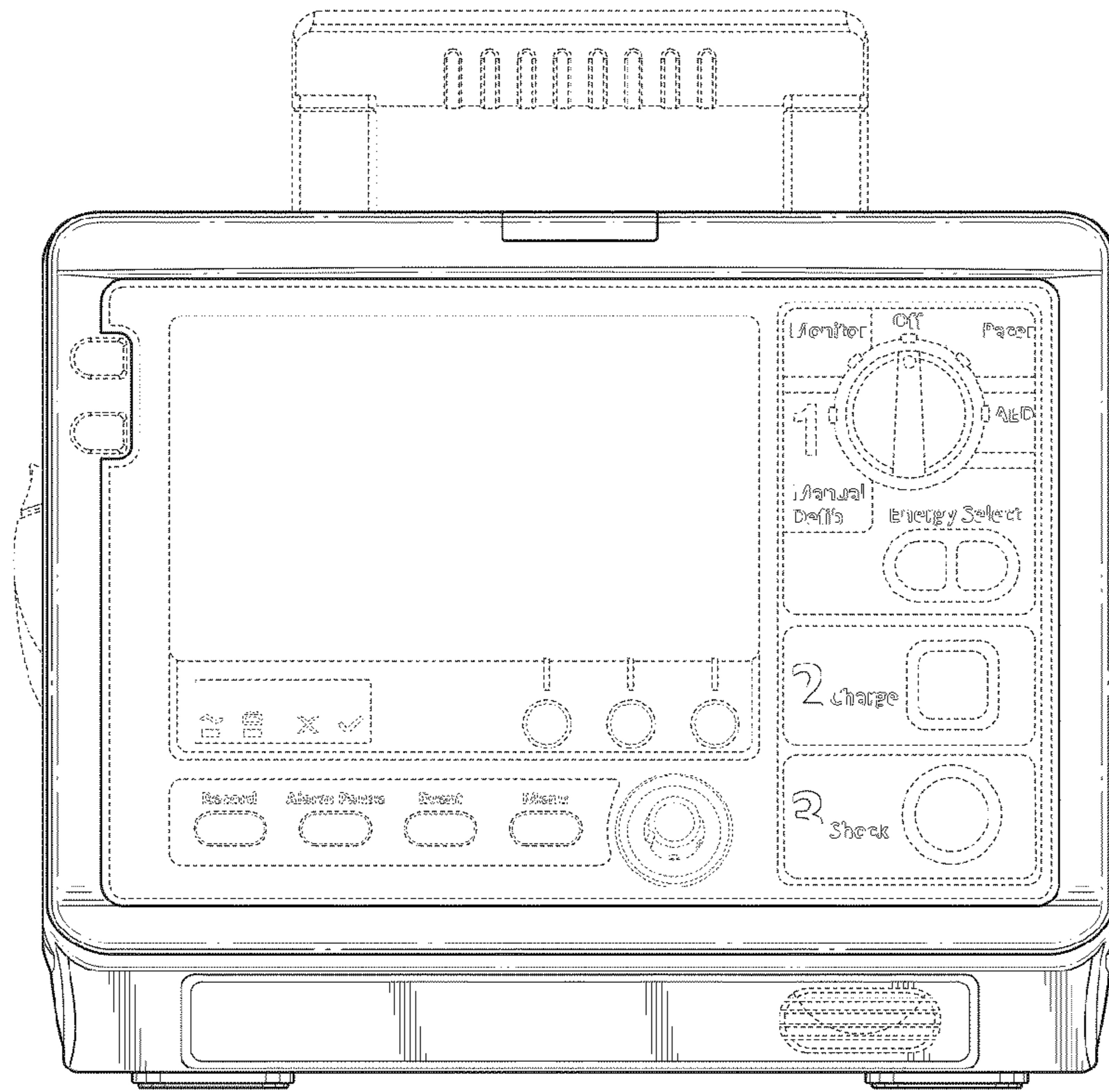


FIG. 1

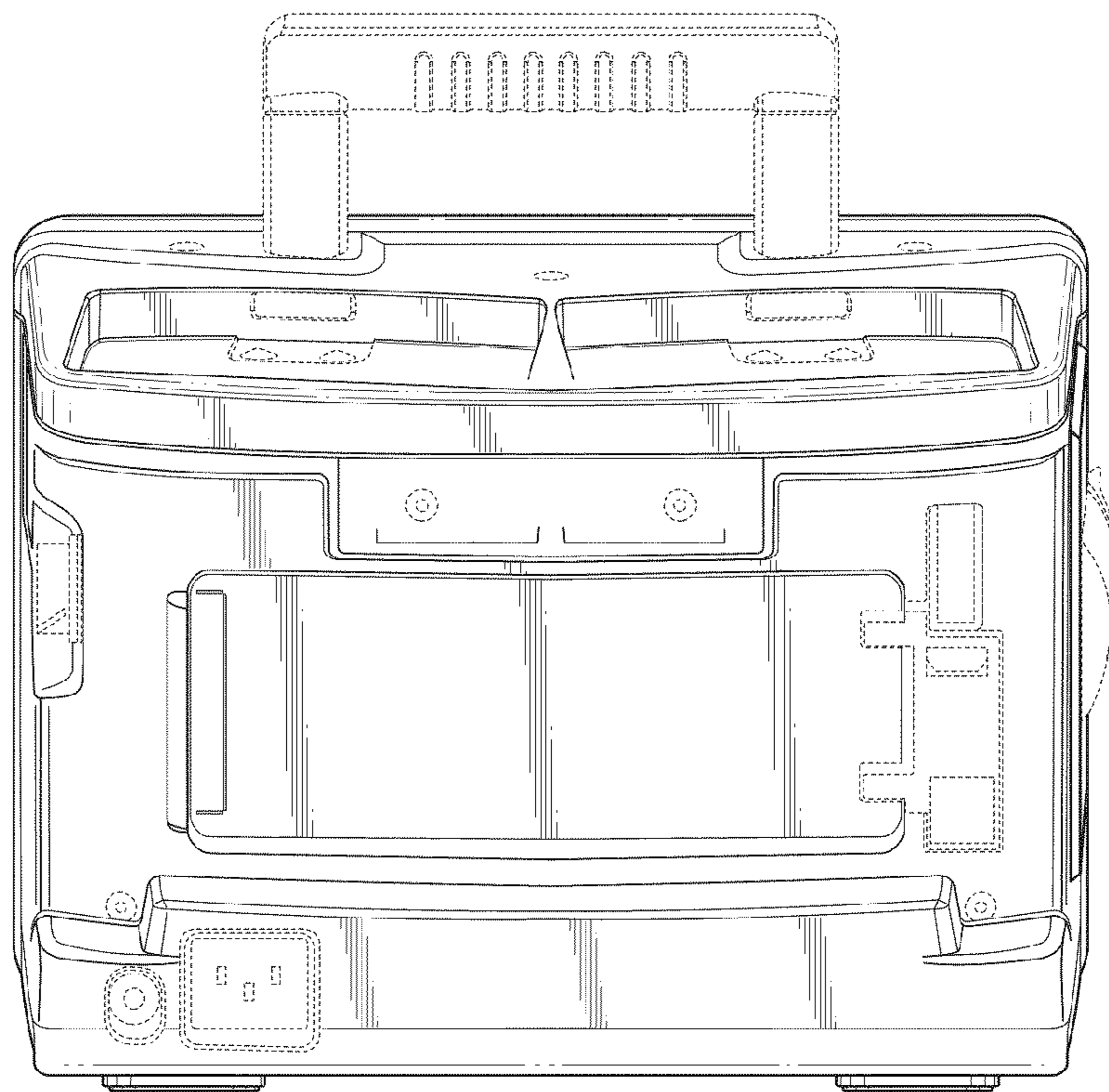
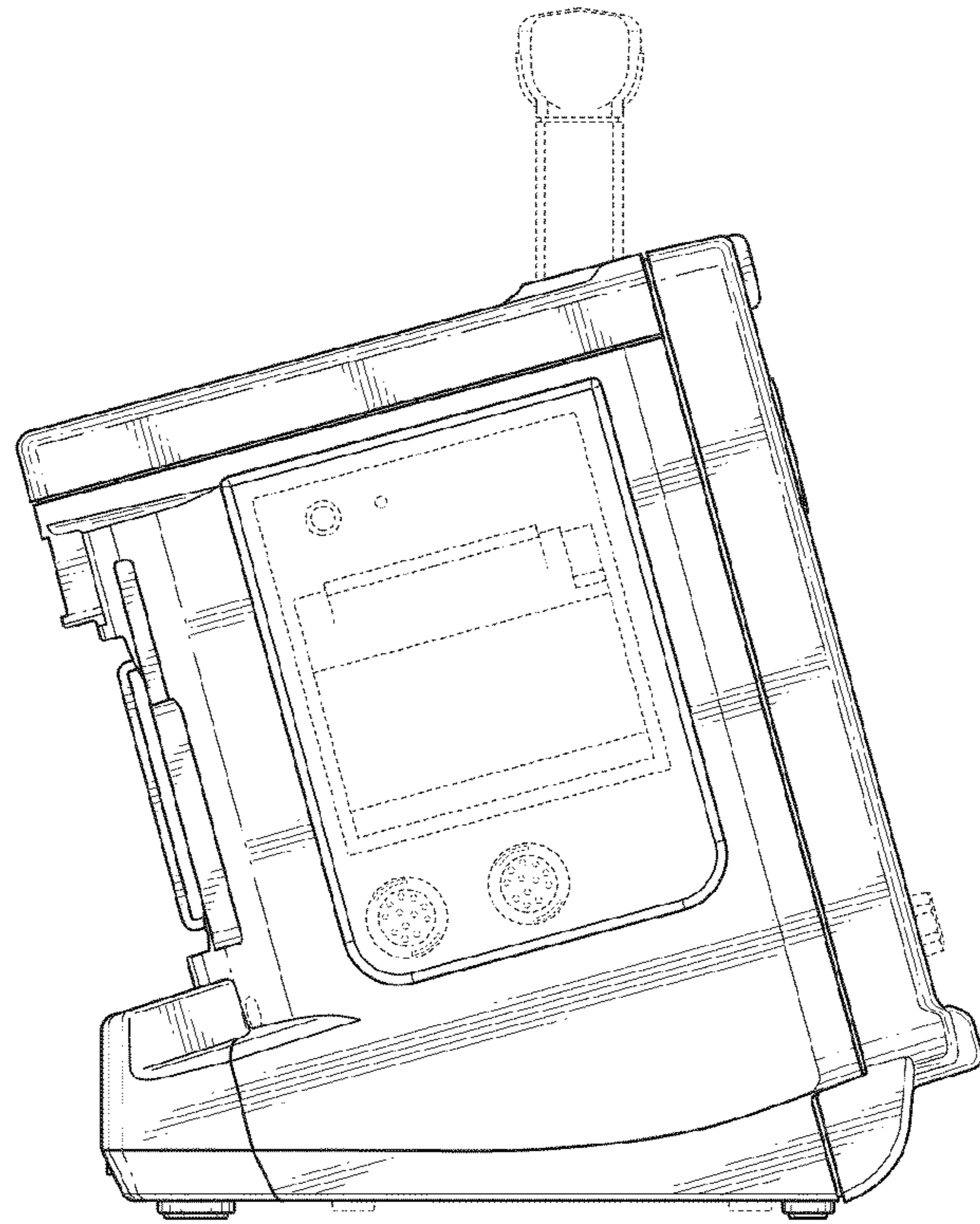
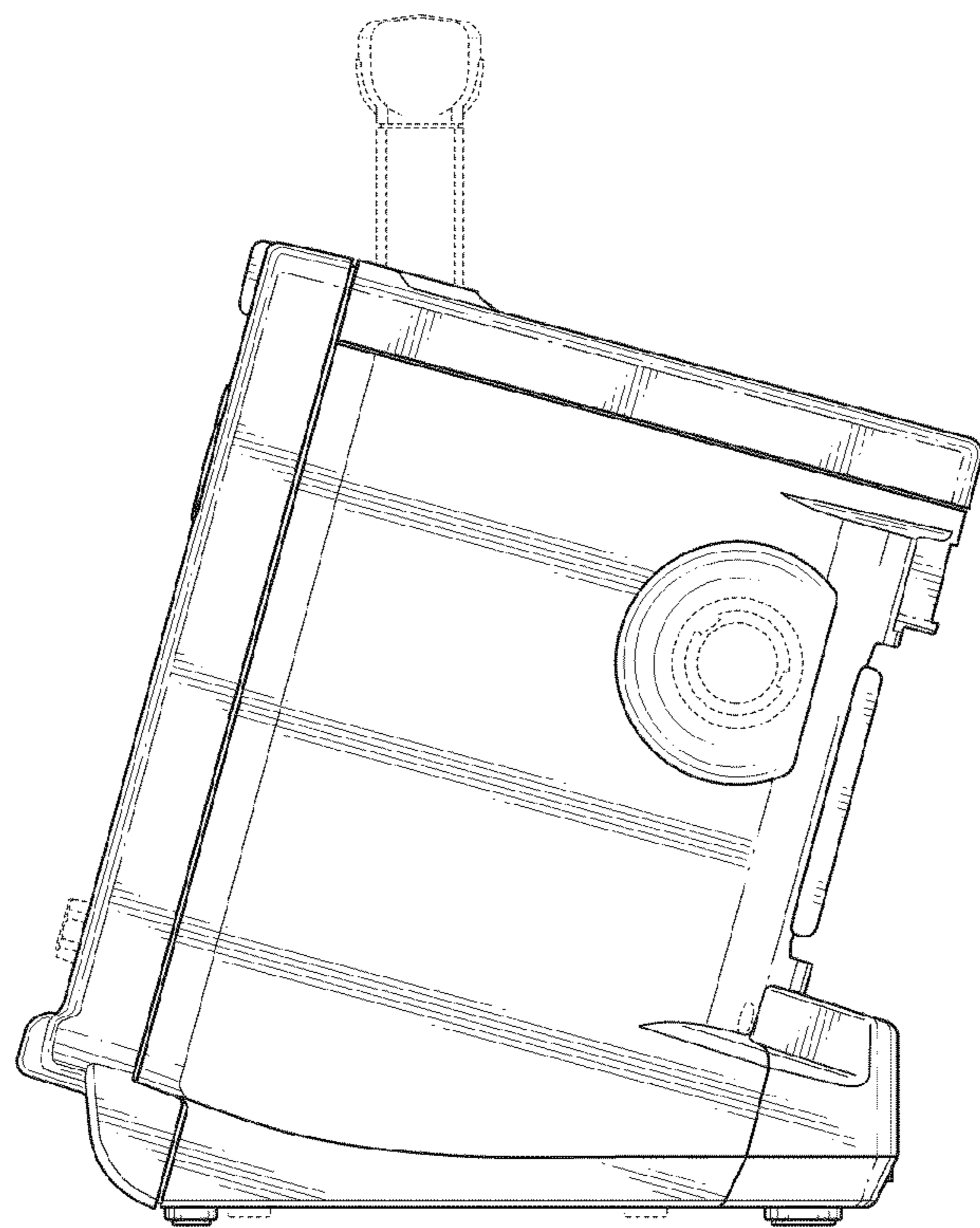


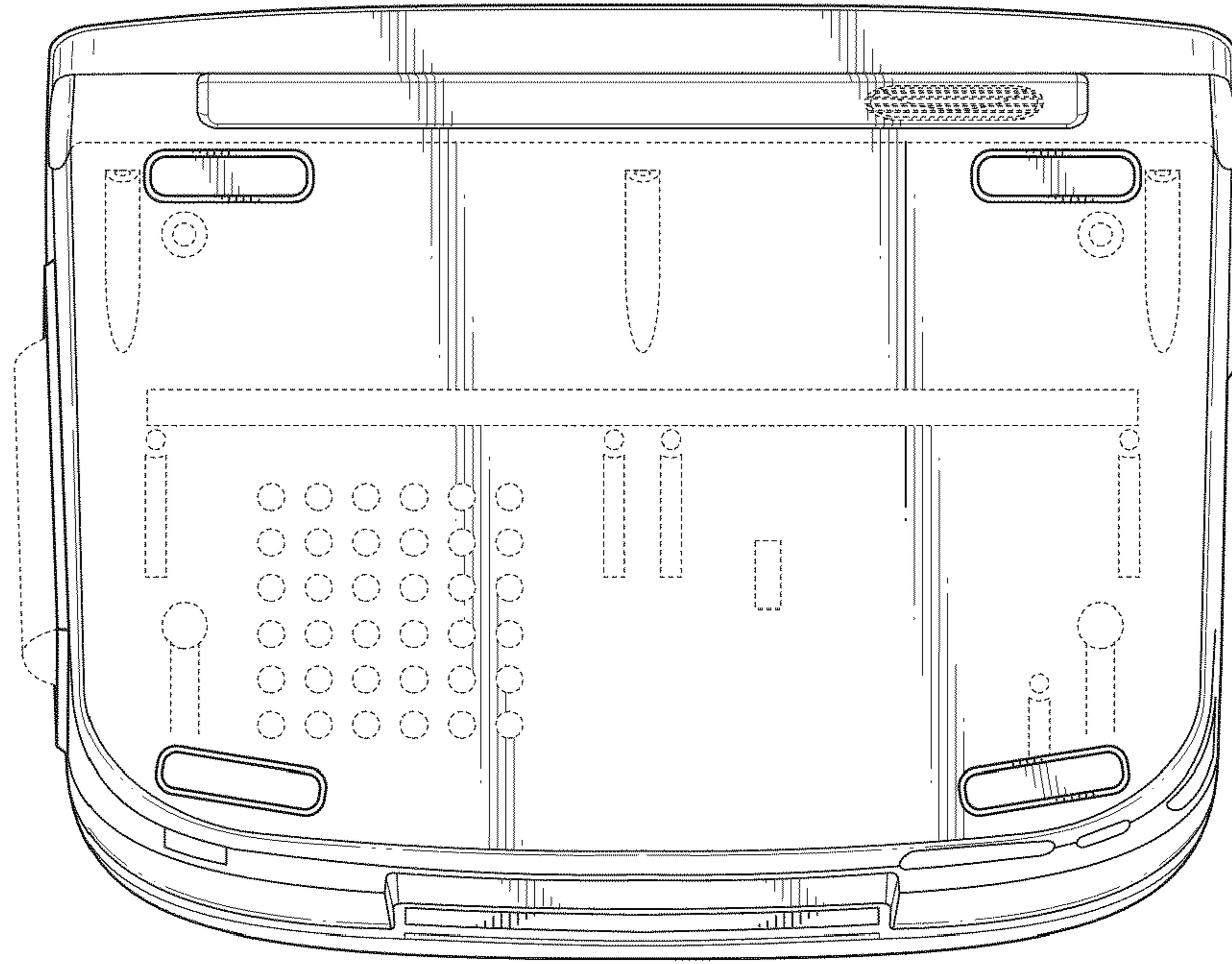
FIG. 2



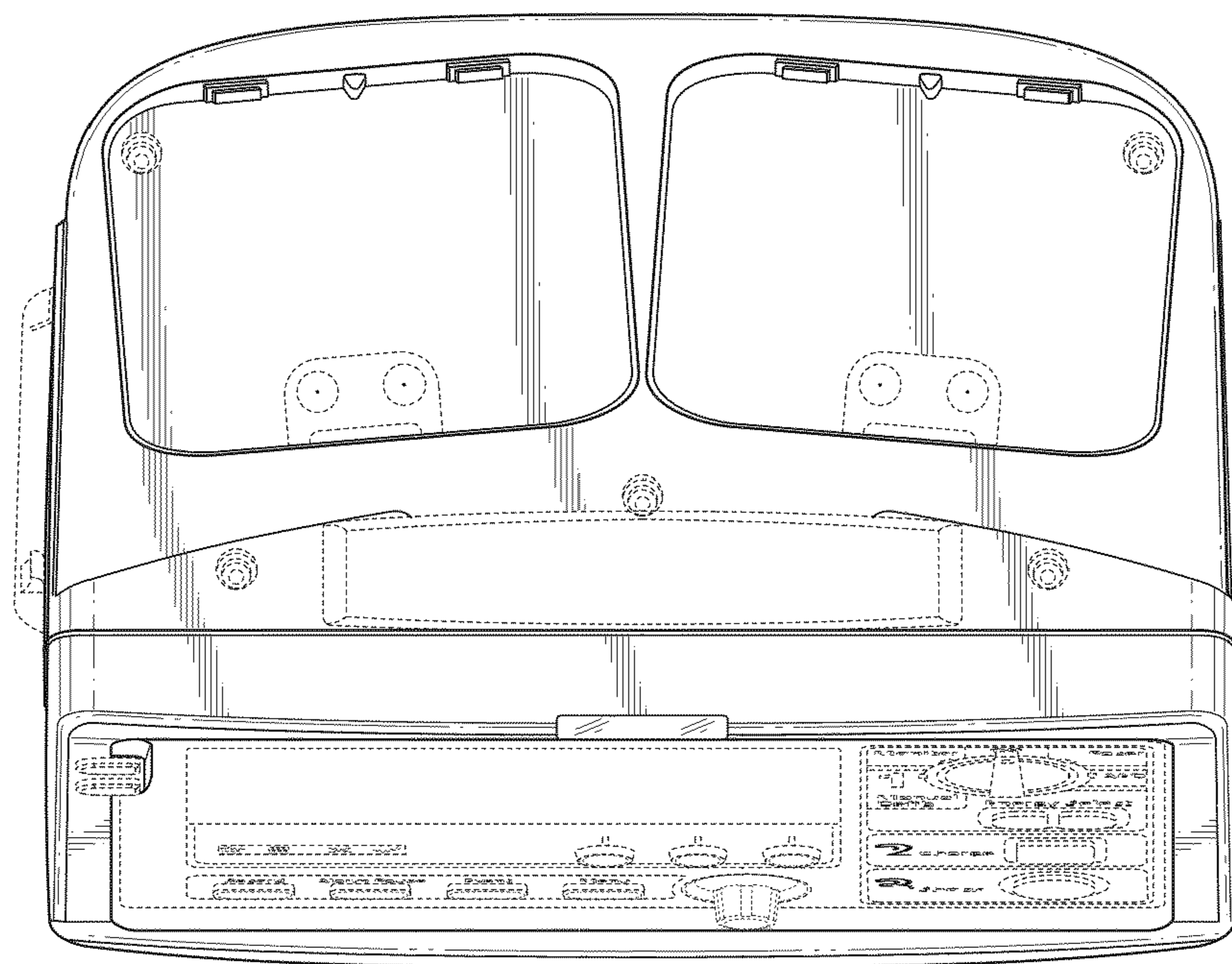
**FIG. 3**



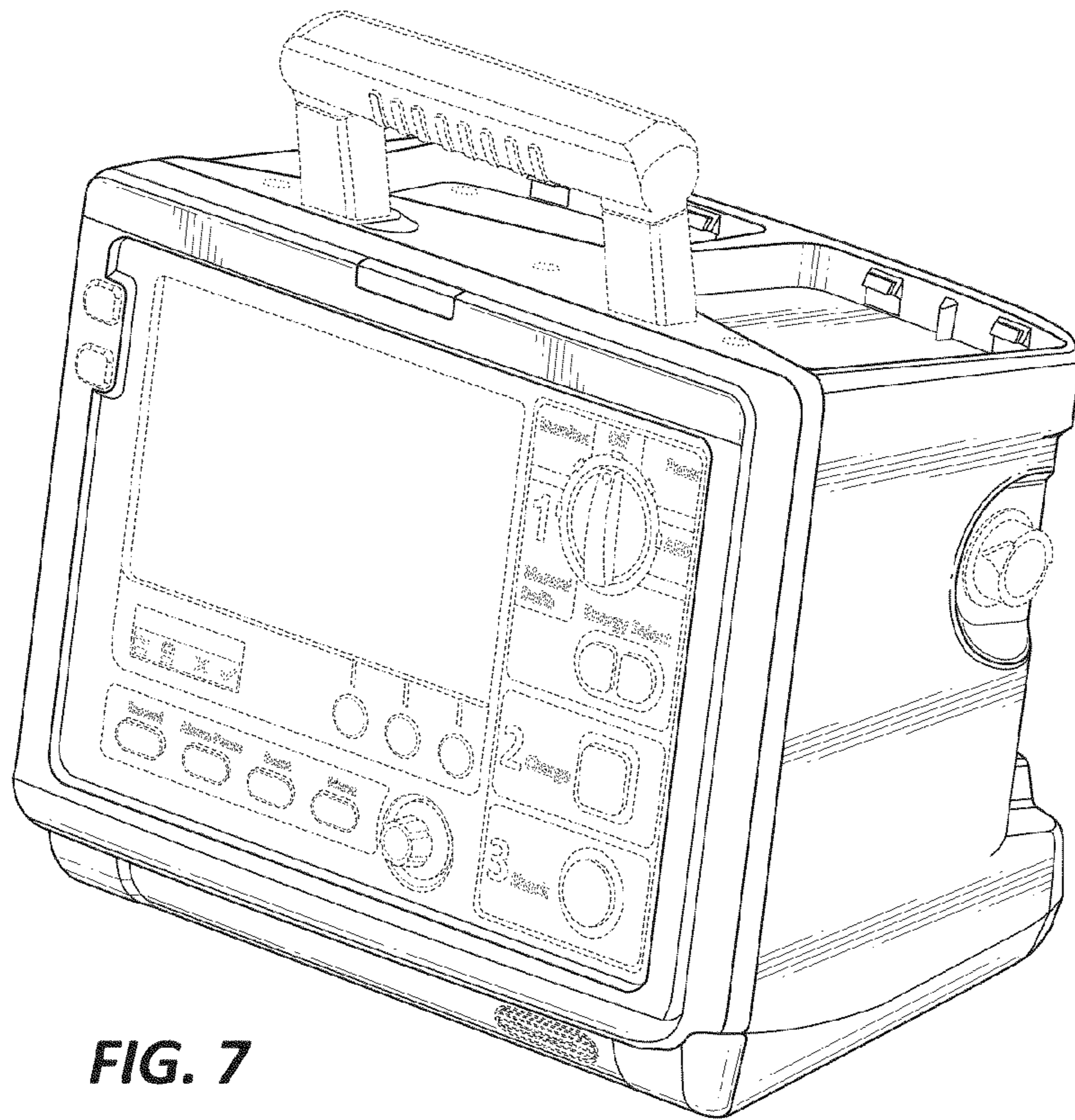
**FIG. 4**



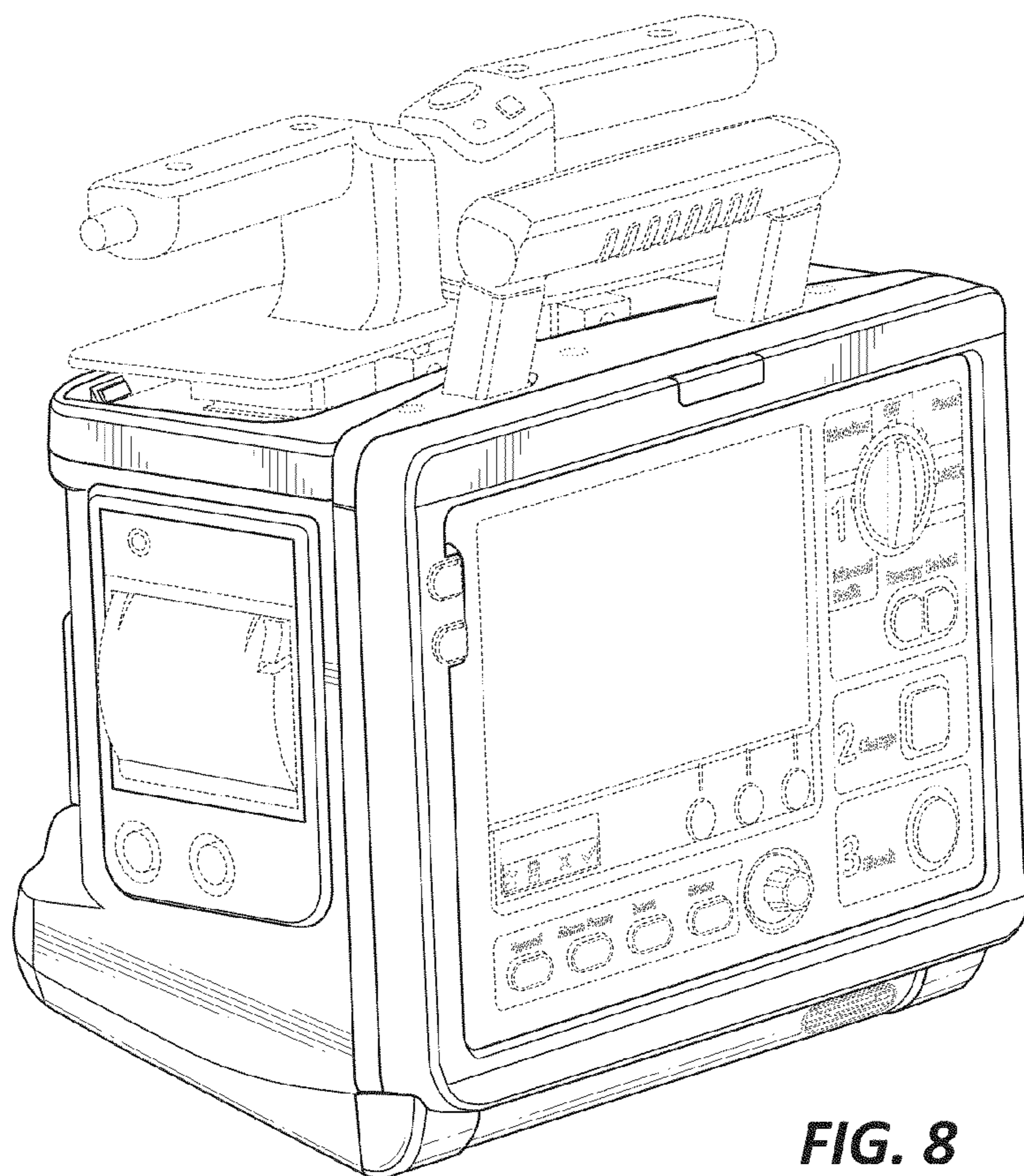
**FIG. 5**



**FIG. 6**



**FIG. 7**



**FIG. 8**