



US00D649642S

(12) **United States Design Patent**
Johnson

(10) **Patent No.:** **US D649,642 S**

(45) **Date of Patent:** **** Nov. 29, 2011**

- (54) **TOURNIQUET HANDLE**
- (75) Inventor: **Ross Johnson**, Anderson, SC (US)
- (73) Assignee: **Tactical Medical Solutions, Inc.**,
Anderson, NC (US)
- (**) Term: **14 Years**
- (21) Appl. No.: **29/367,912**
- (22) Filed: **Aug. 16, 2010**

6,899,720	B1 *	5/2005	McMillan	606/203
D516,901	S *	3/2006	Murray	D8/376
D527,981	S *	9/2006	Sato	D8/310
D545,663	S *	7/2007	Sato	D8/310
D592,484	S *	5/2009	Ricereto	D8/310
7,776,064	B2 *	8/2010	Jennifer et al.	606/203
7,842,067	B2 *	11/2010	Esposito	606/203
2007/0005107	A1 *	1/2007	Janota	606/203
2009/0024159	A1 *	1/2009	Nee et al.	606/203
2010/0137900	A1 *	6/2010	Chao	606/203

Related U.S. Application Data

- (63) Continuation of application No. 10/830,144, filed on Apr. 21, 2004, now Pat. No. 7,776,064.
- (51) **LOC (9) Cl.** **24-02**
- (52) **U.S. Cl.** **D24/143; D24/169**
- (58) **Field of Classification Search** D24/143,
D24/133, 147, 169, 188; 606/203, 201, 202,
606/204; D8/376, 378, 300, 311, 404, 83,
D8/387, 301, 310; D25/126, 142-143, 38;
211/105.1-105.2; 248/200.1, 201, 205.1;
D12/179; D7/393, 396, 405; D6/533, 549-550;
D15/89, 18, 29; D13/174, 171; D19/89;
D21/308, 313, 333, 349, 362, 363; 16/414,
16/417, 441

See application file for complete search history.

(56) **References Cited**

U.S. PATENT DOCUMENTS

1,855,482	A *	4/1932	McArthur	16/417
2,250,977	A *	7/1941	Walker	220/3.8
D185,635	S *	7/1959	Gerlach	D8/310
D260,074	S *	8/1981	Lewis	D8/376
D324,328	S *	3/1992	Pagan	D8/376
5,607,448	A *	3/1997	Stahl et al.	606/203
D385,178	S *	10/1997	Poulin	D8/376
6,298,521	B1 *	10/2001	Butterfield	16/412

OTHER PUBLICATIONS

Google Image Result for <http://chb-tech.com/products/images/Chb-Sopst-02G.jpg>. 1 page. Viewed on Dec. 20, 2010.*

* cited by examiner

Primary Examiner — Wan Laymon

(74) *Attorney, Agent, or Firm* — Cahn & Samuels, LLP

(57) **CLAIM**

The ornamental design for a tourniquet handle, as shown and described.

DESCRIPTION

FIG. 1 is a perspective view of the tourniquet handle according to the present invention.

FIG. 2 is a plan view of the tourniquet handle according to the present invention.

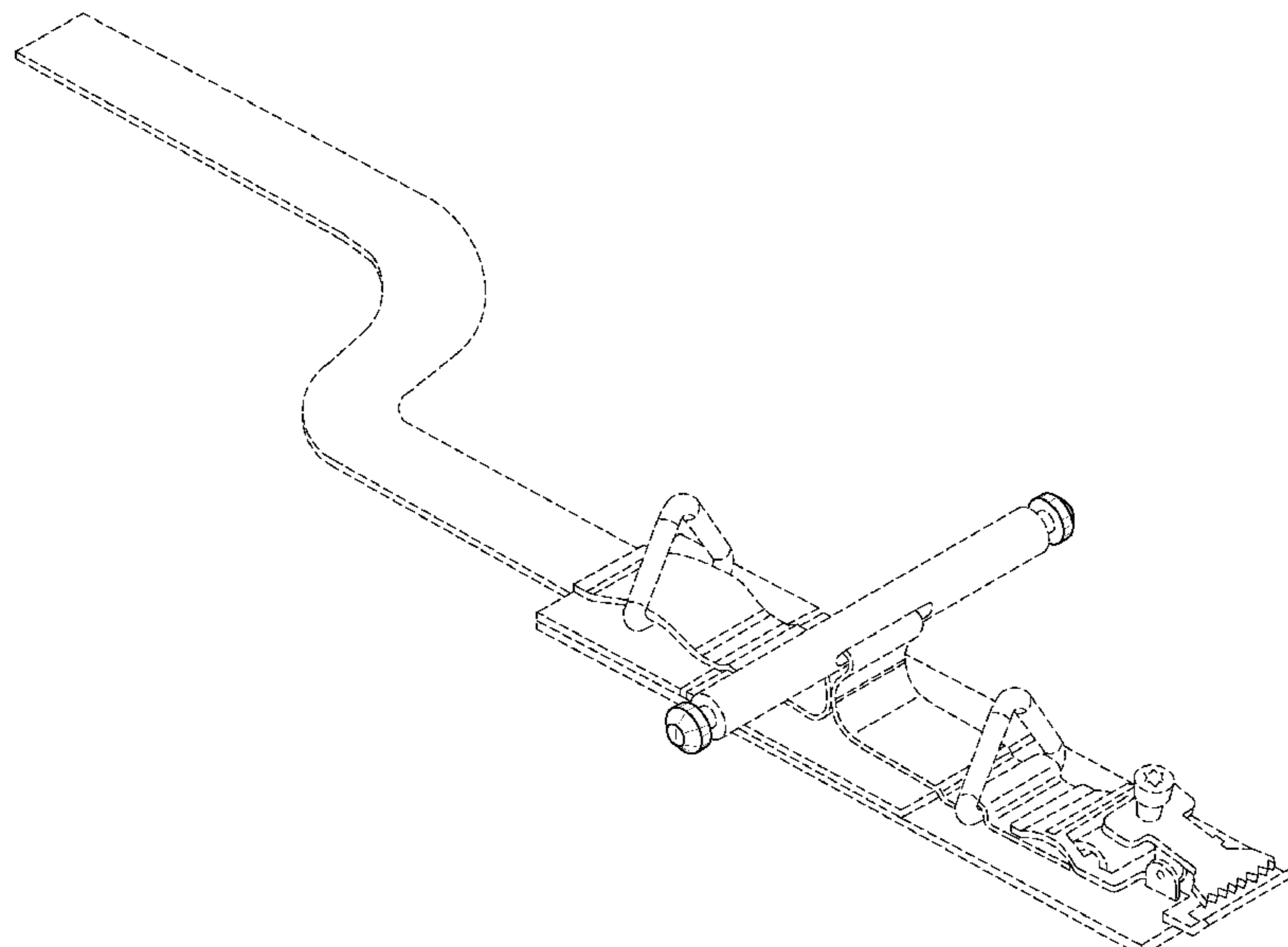
FIG. 3 is a plan view of the tourniquet handle according to the present invention rotated 1/4 turn from the view depicted in FIG. 2.

FIG. 4 is an end view of the tourniquet handle according to the present invention; and,

FIG. 5 is an end view of the tourniquet handle according to the present invention.

The broken lines in the drawings depict environmental structure of the tourniquet handle that form no part of the claimed invention.

1 Claim, 2 Drawing Sheets



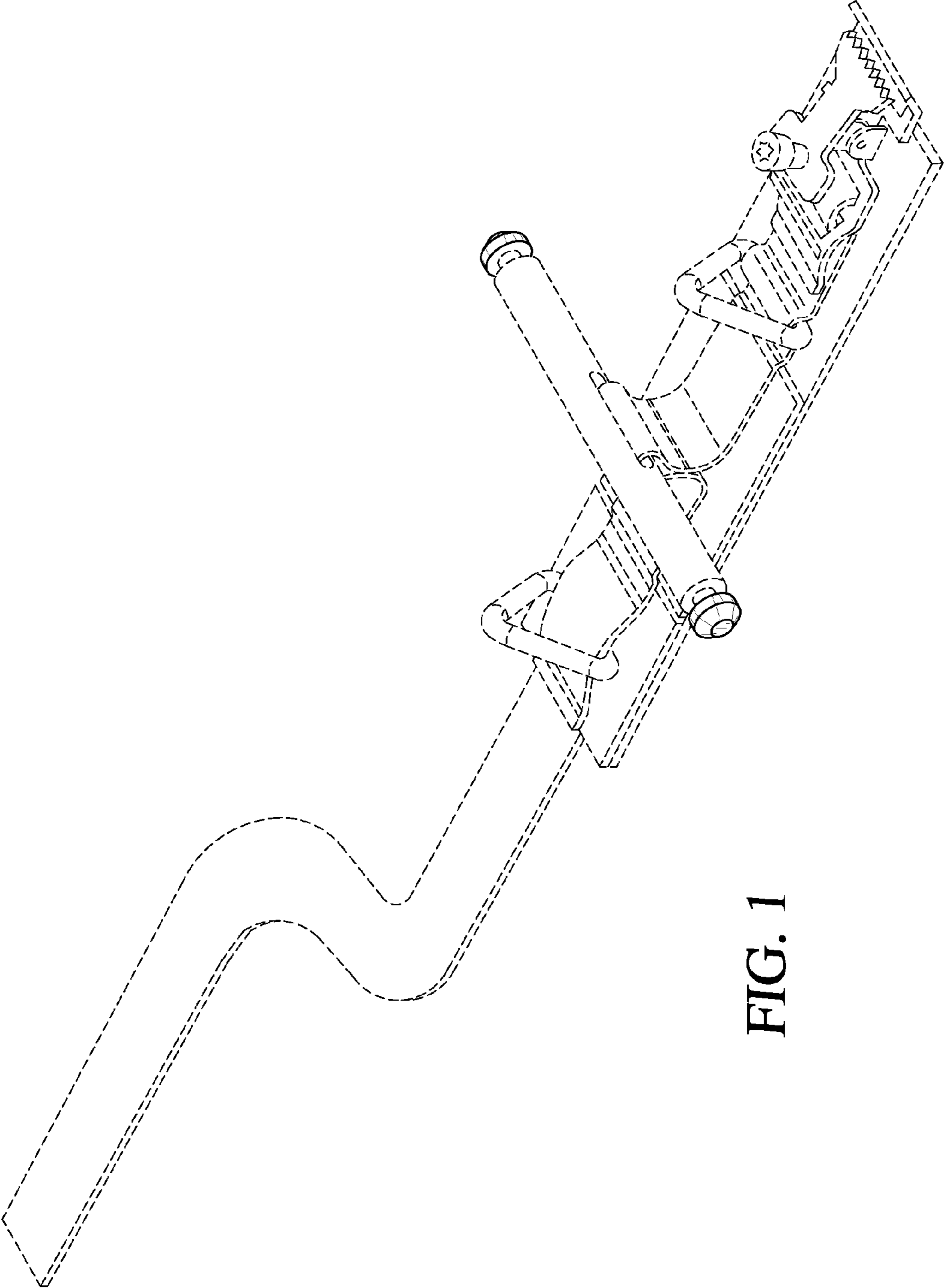


FIG. 1

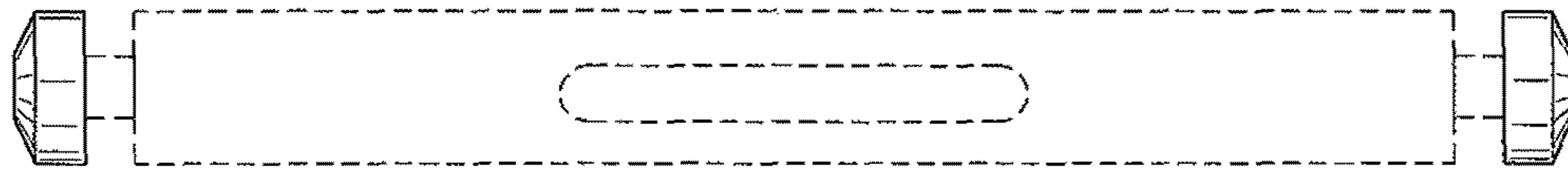


FIG. 2

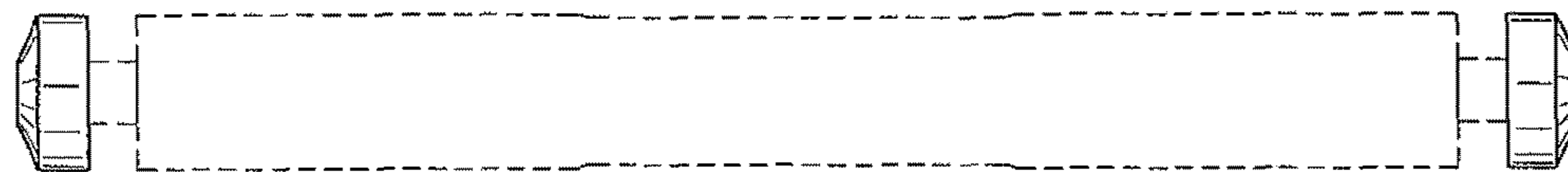


FIG. 3

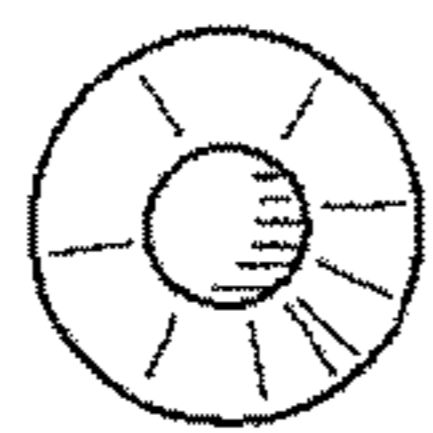


FIG. 4

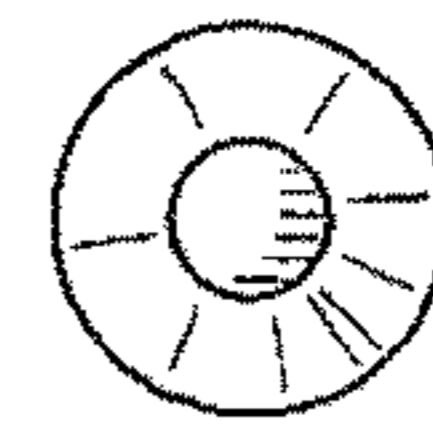


FIG. 5