



US00D649641S

(12) **United States Design Patent**  
**Guttulsrud**

(10) **Patent No.:** **US D649,641 S**

(45) **Date of Patent:** **\*\* Nov. 29, 2011**

(54) **RISER AND UMBILICAL CLAMP**

(75) Inventor: **Kristian Guttulsrud**, Asker (NO)

(73) Assignee: **Aker Subsea AS**, Lysaker (NO)

(\*\*) Term: **14 Years**

(21) Appl. No.: **29/363,742**

(22) Filed: **Jun. 14, 2010**

(51) **LOC (9) Cl.** ..... **24-02**

(52) **U.S. Cl.** ..... **D24/143**

(58) **Field of Classification Search** ..... D24/143,  
D24/129, 133, 147, 195; D8/394-396; 606/1,  
606/119-120, 157, 151, 167

See application file for complete search history.

(56) **References Cited**

**U.S. PATENT DOCUMENTS**

D277,644 S *	2/1985	Tolkko	.....	D8/396
4,781,188 A *	11/1988	Collins	.....	606/120
D323,890 S *	2/1992	Collins	.....	D24/143
D456,512 S *	4/2002	Watson et al.	.....	D24/143
6,443,958 B1 *	9/2002	Watson et al.	.....	606/120
7,402,164 B2 *	7/2008	Watson et al.	.....	606/120
2009/0272855 A1 *	11/2009	Oram	.....	248/67.5

\* cited by examiner

*Primary Examiner* — Wan Laymon

(74) *Attorney, Agent, or Firm* — Winstead PC

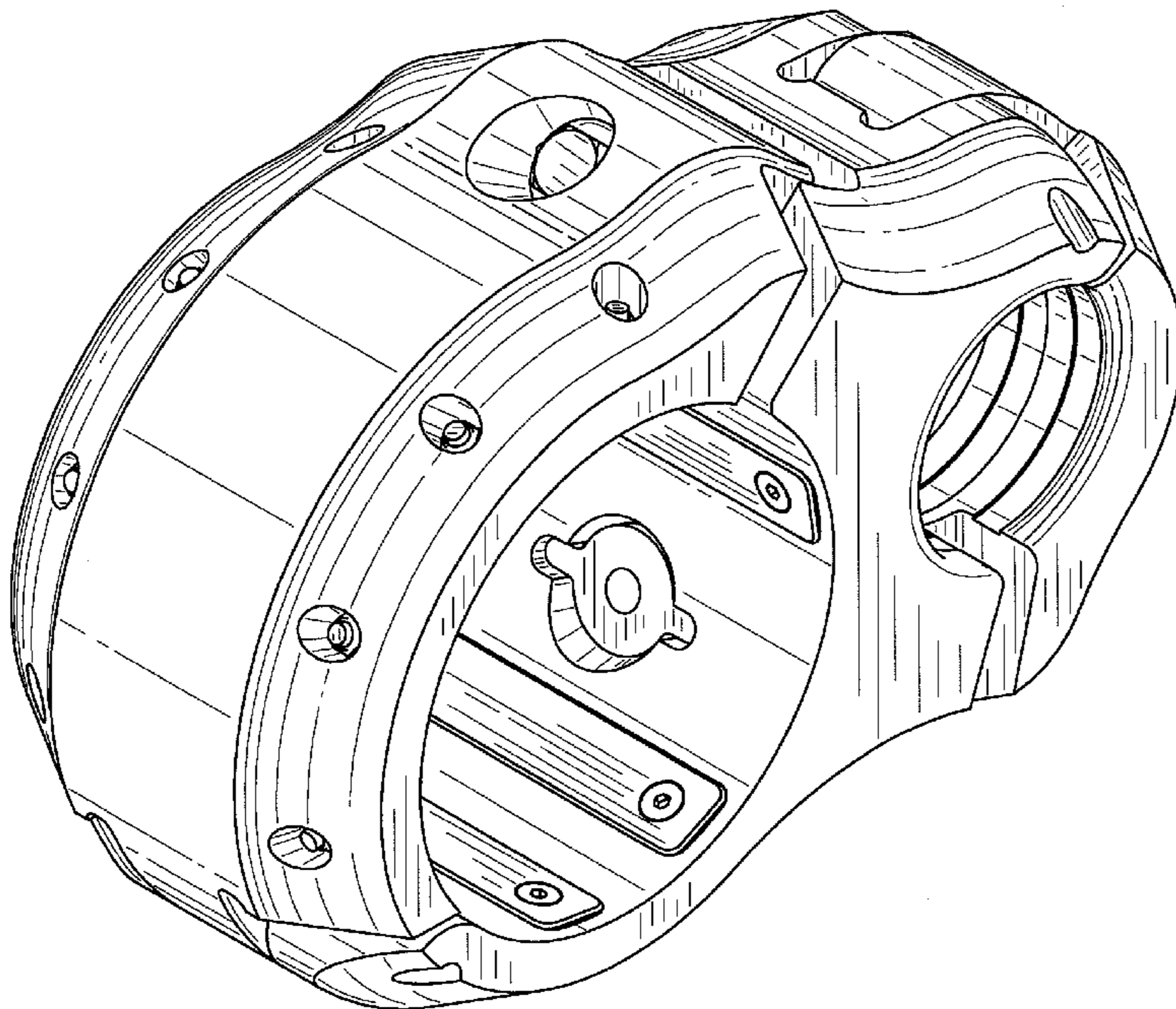
(57) **CLAIM**

The ornamental design for a riser and umbilical clamp, as shown and described.

**DESCRIPTION**

FIG. 1 is a perspective view of a riser and umbilical clamp in accordance with the design;  
 FIG. 2 is a first side view of the riser and umbilical clamp in accordance with the design;  
 FIG. 3 is a second side view of the riser and umbilical clamp in accordance with the design;  
 FIG. 4 is a third side view of the riser and umbilical clamp in accordance with the design;  
 FIG. 5 is a fourth side view of the riser and umbilical clamp in accordance with the design;  
 FIG. 6 is a top plan view of the riser and umbilical clamp in accordance with the design; and,  
 FIG. 7 is a bottom plan view of the riser and umbilical clamp in accordance with the design.  
 Any broken lines present in the drawings are for illustrative purposes only and form no part of the design to be patented.

**1 Claim, 6 Drawing Sheets**



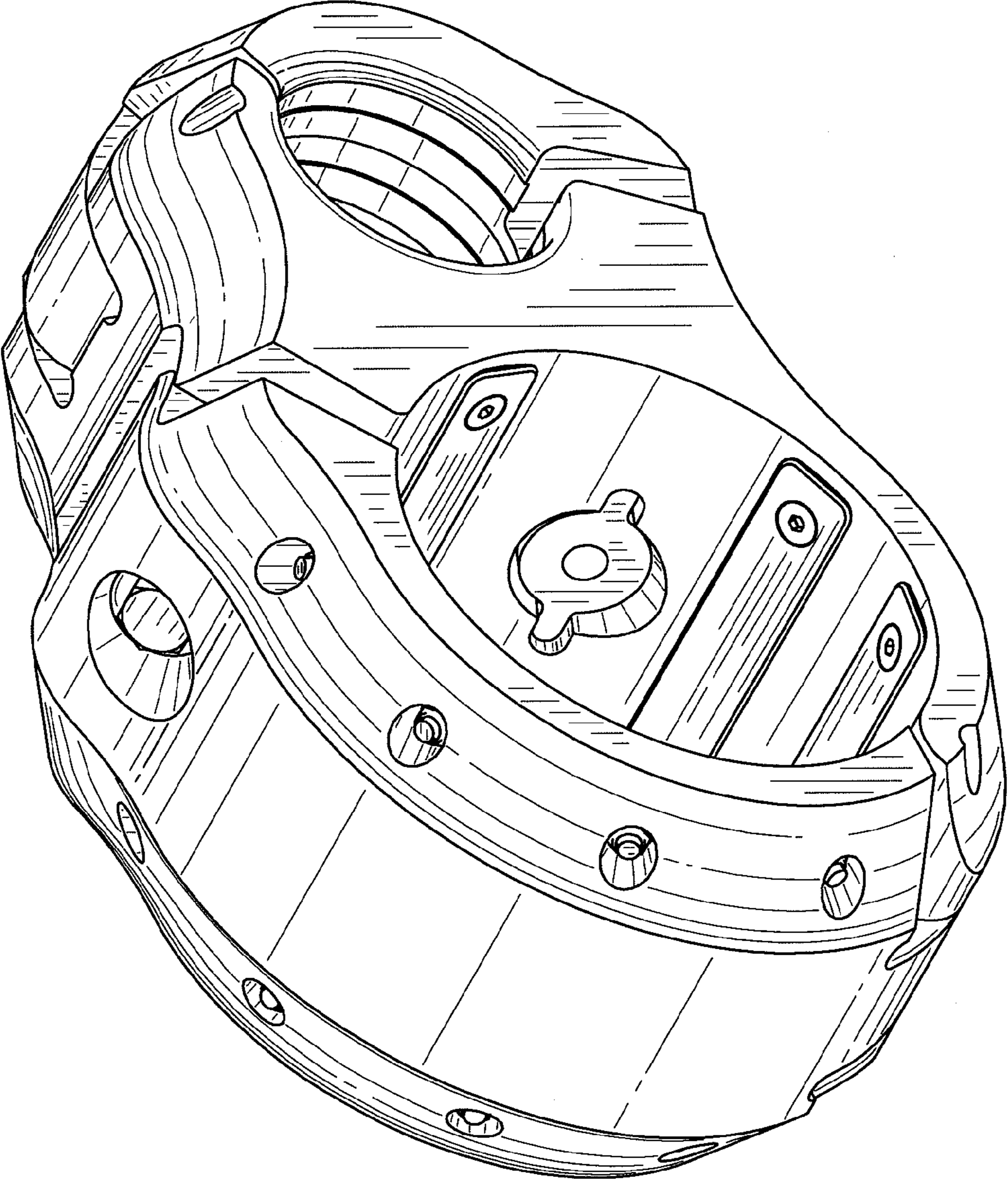


FIG. 1

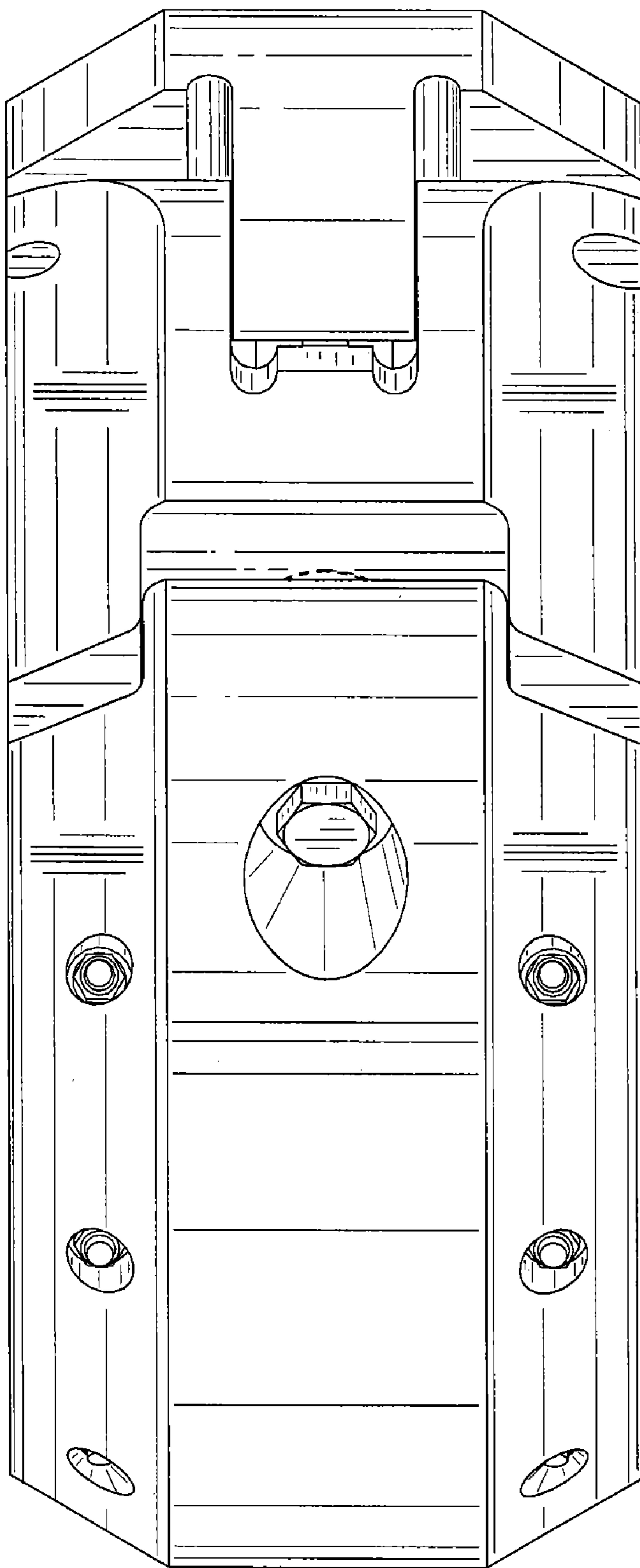


FIG. 2

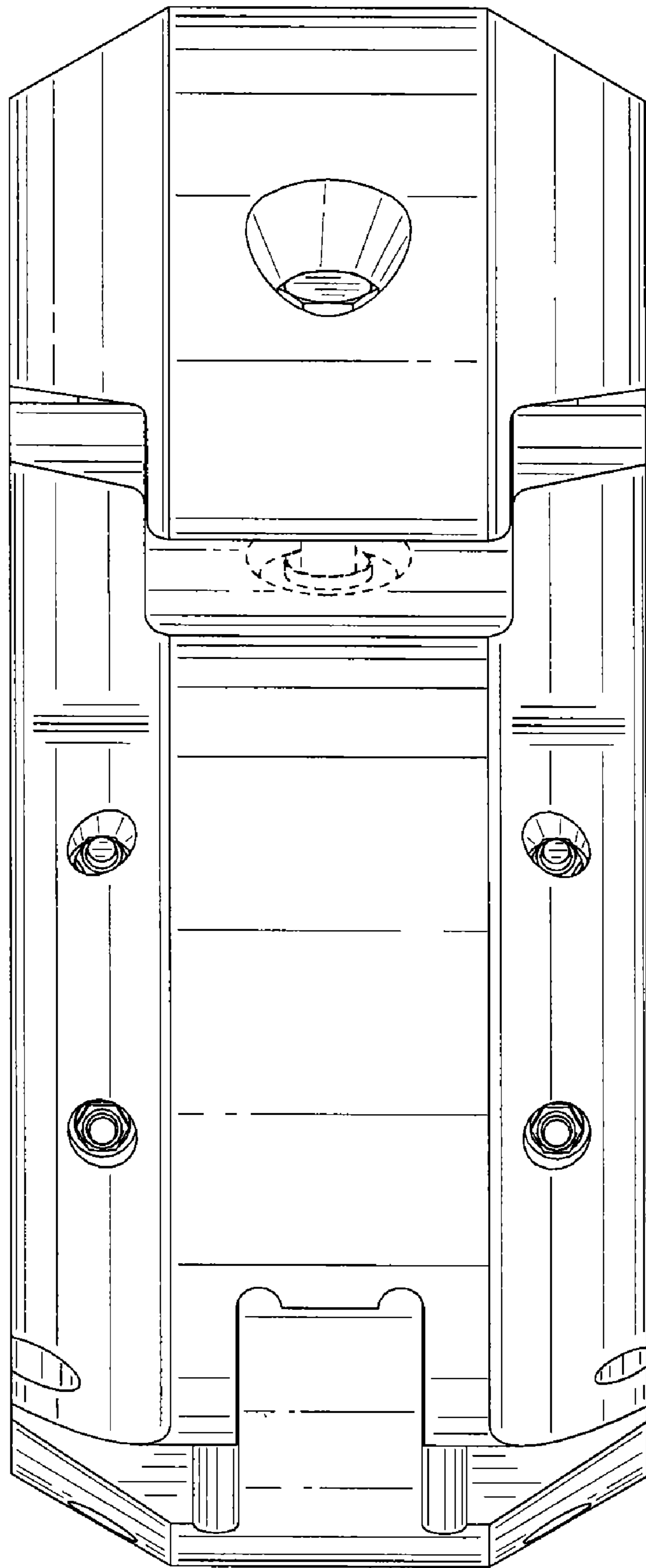


FIG. 3

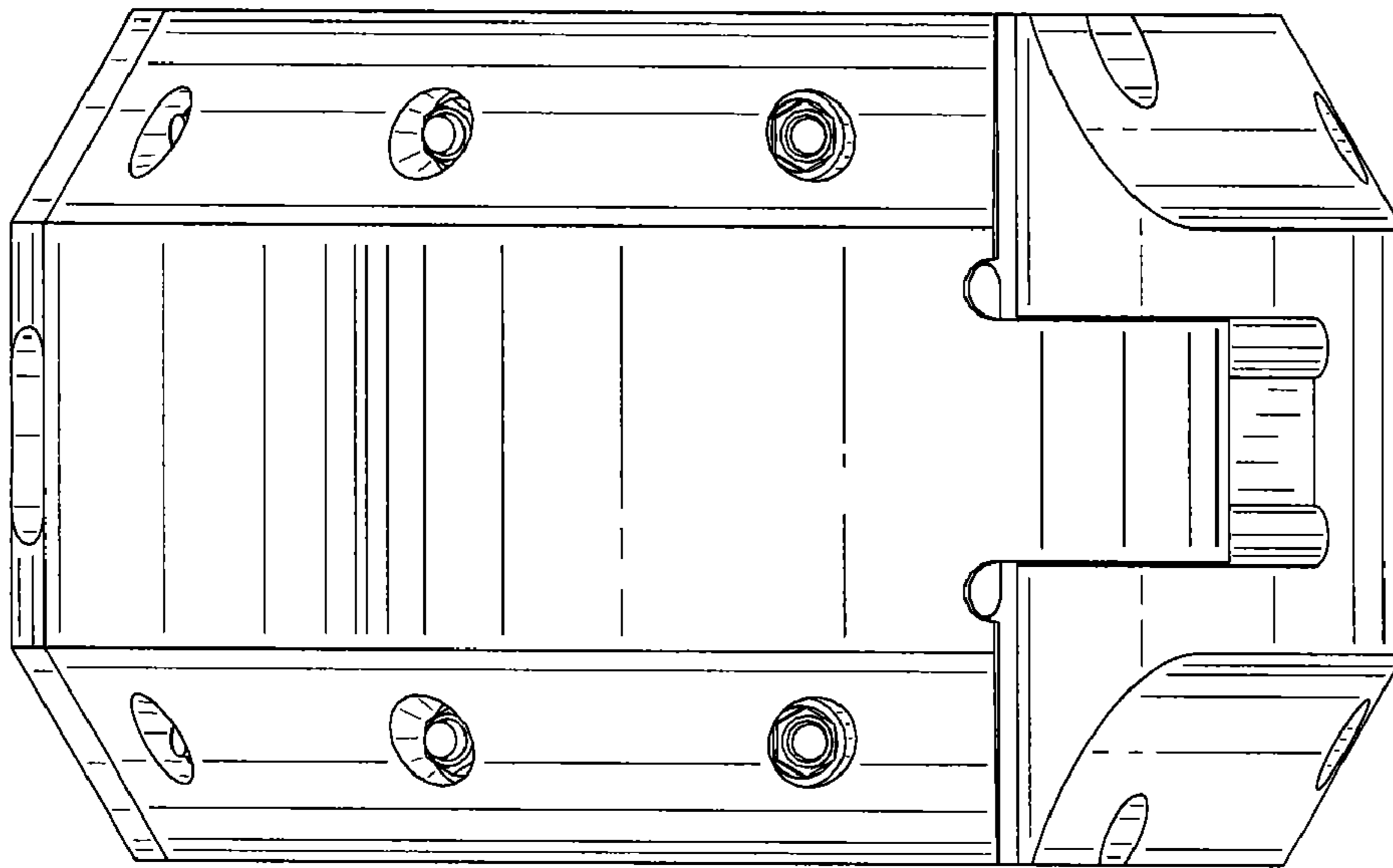


FIG. 5

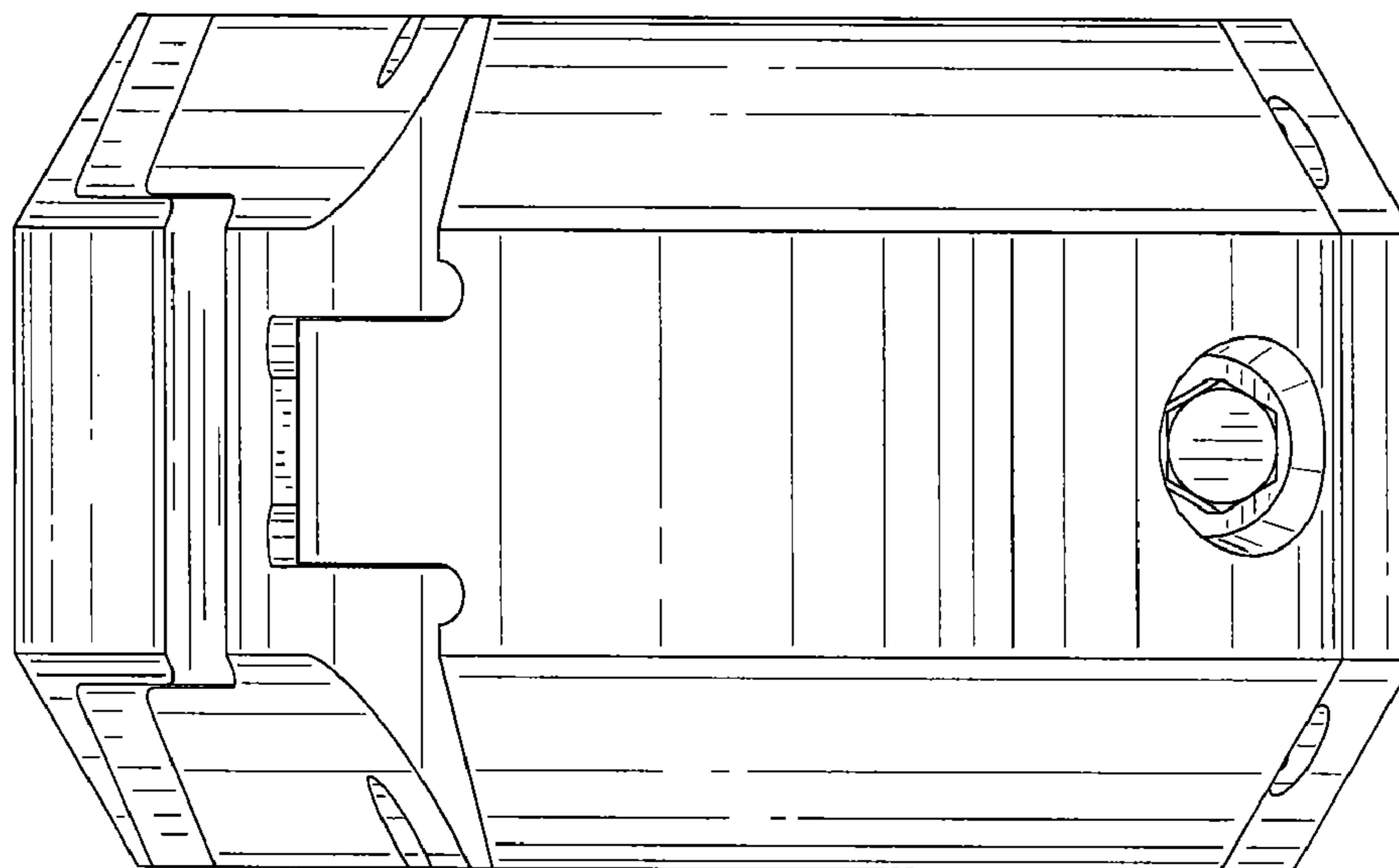


FIG. 4

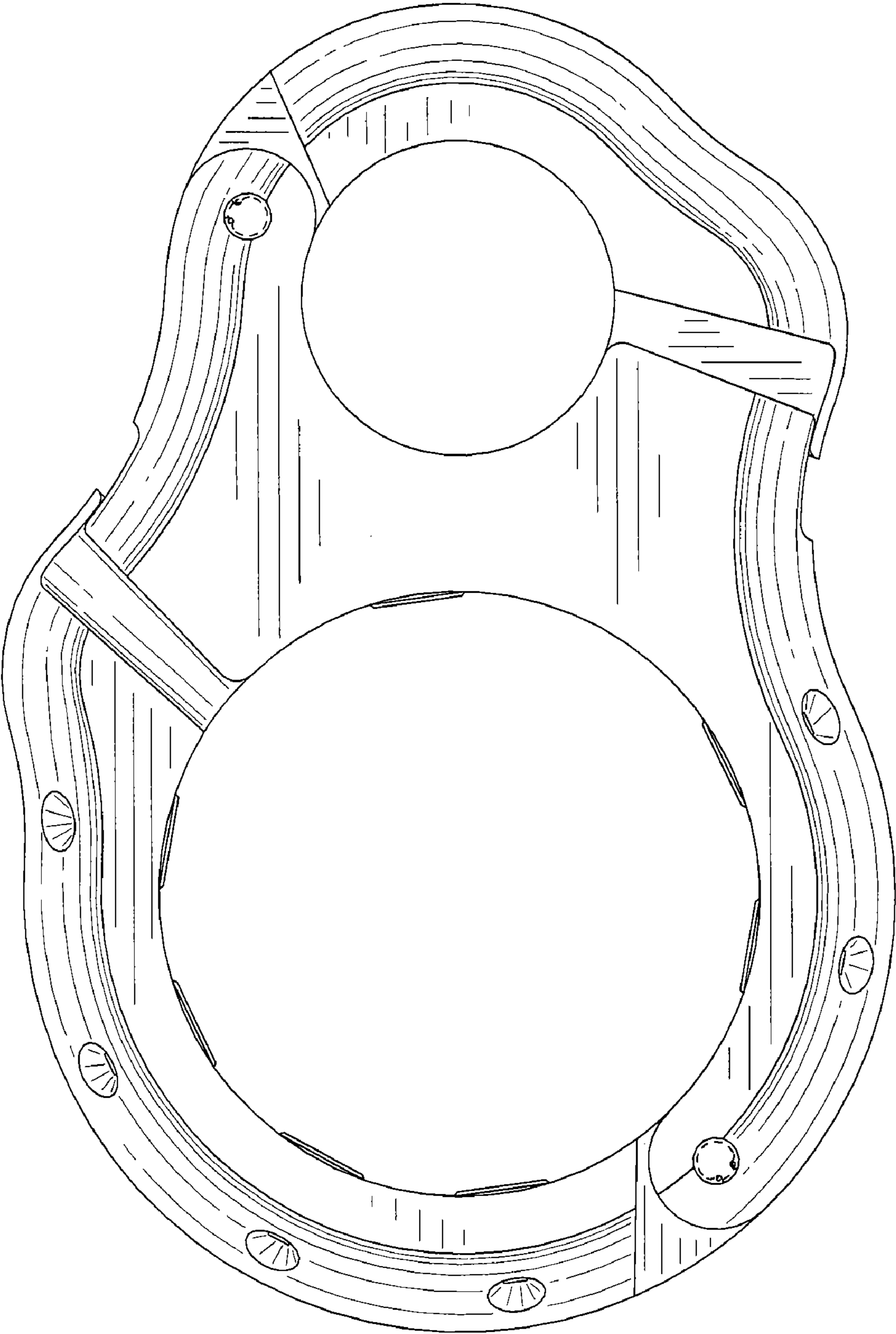


FIG. 6

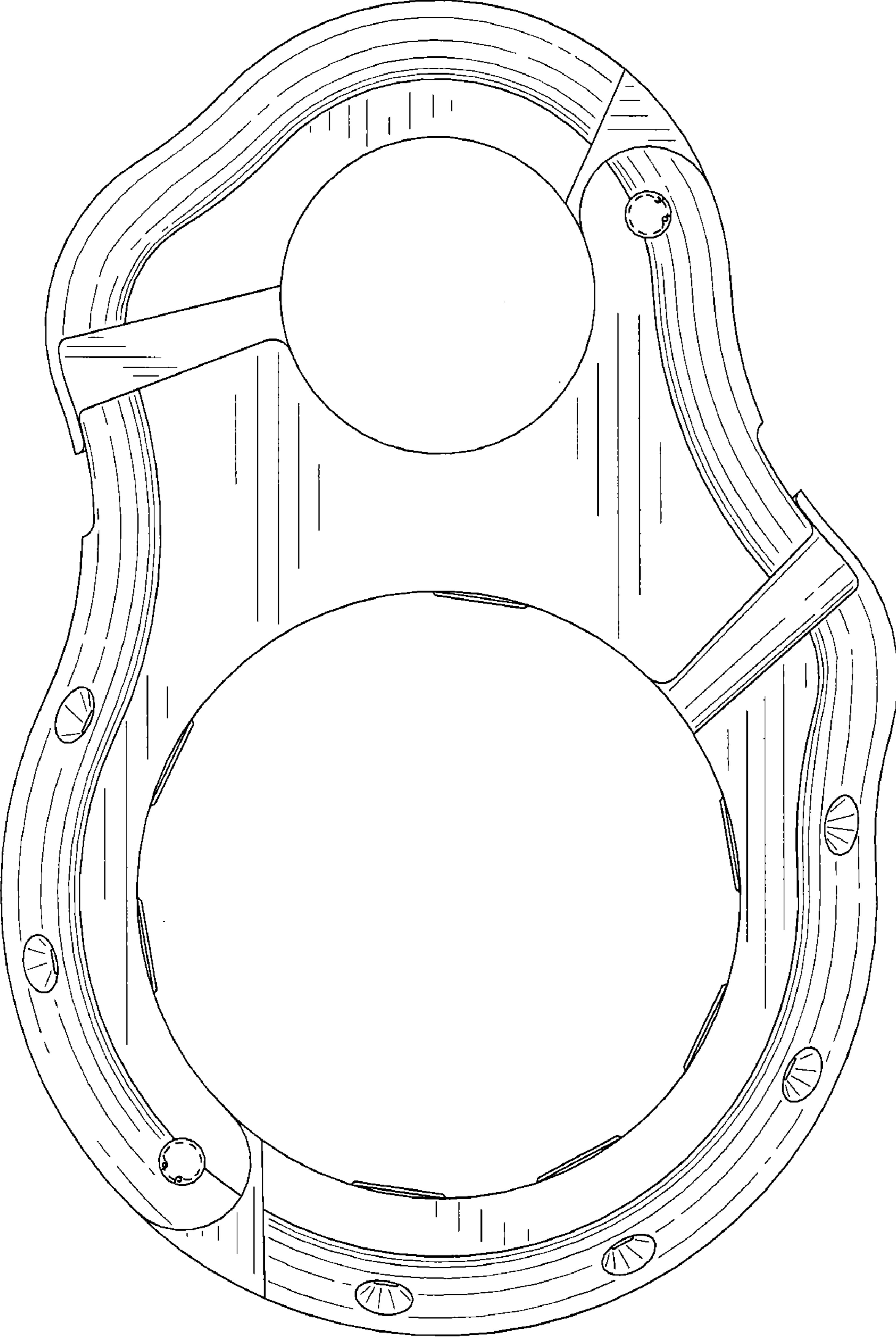


FIG. 7