



(12) **United States Design Patent**
Bailey et al.

(10) **Patent No.:** **US D649,640 S**
(45) **Date of Patent:** **** Nov. 29, 2011**

(54) **FEMORAL BOX CUT GUIDE**

(75) Inventors: **Aaron M. Bailey**, Warsaw, IN (US);
Kevin S. Cook, Warsaw, IN (US);
Christopher M. Byrd, Elkhart, IN (US);
Prashanth Hegde, Warsaw, IN (US)

(73) Assignee: **Zimmer, Inc.**, Warsaw, IN (US)

(**) Term: **14 Years**

(21) Appl. No.: **29/362,964**

(22) Filed: **Jun. 2, 2010**

(51) **LOC (9) Cl.** **24-02**

(52) **U.S. Cl.** **D24/140**

(58) **Field of Classification Search** D24/133,
D24/140, 143, 144, 145, 146, 147, 155, 171;
606/1, 53, 86 R, 87, 88, 89, 99, 105, 205,
606/206, 211, 916, 237
See application file for complete search history.

(56) **References Cited**

U.S. PATENT DOCUMENTS

| | | | | | | |
|--------------|----|---|---------|---------------|-------|---------|
| D273,895 | S | * | 5/1984 | Kenna | | D24/140 |
| D274,090 | S | * | 5/1984 | Kenna | | D24/140 |
| D274,091 | S | * | 5/1984 | Kenna | | D24/140 |
| D274,092 | S | * | 5/1984 | Kenna | | D24/140 |
| D355,254 | S | * | 2/1995 | Krafft et al. | | D24/140 |
| 5,474,559 | A | * | 12/1995 | Bertin et al. | | 606/89 |
| 5,735,856 | A | * | 4/1998 | McCue et al. | | 606/87 |
| 5,817,097 | A | * | 10/1998 | Howard et al. | | 606/87 |
| D629,900 | S | * | 12/2010 | Fisher | | D24/146 |
| 2004/0158255 | A1 | * | 8/2004 | Justin et al. | | 606/87 |

| | | | | | | |
|--------------|----|---|---------|----------------------|-------|--------|
| 2005/0149037 | A1 | * | 7/2005 | Steffensmeier et al. | | 606/87 |
| 2005/0171545 | A1 | * | 8/2005 | Walsh et al. | | 606/72 |
| 2005/0234461 | A1 | * | 10/2005 | Burdulis et al. | | 606/79 |
| 2006/0004374 | A1 | * | 1/2006 | Griner et al. | | 606/88 |
| 2006/0122618 | A1 | * | 6/2006 | Claypool et al. | | 606/87 |
| 2006/0200158 | A1 | * | 9/2006 | Farling et al. | | 606/87 |
| 2006/0241634 | A1 | * | 10/2006 | Tuttle et al. | | 606/86 |

* cited by examiner

Primary Examiner — Bridget L Eland

(74) *Attorney, Agent, or Firm* — Baker & Daniels LLP

(57) **CLAIM**

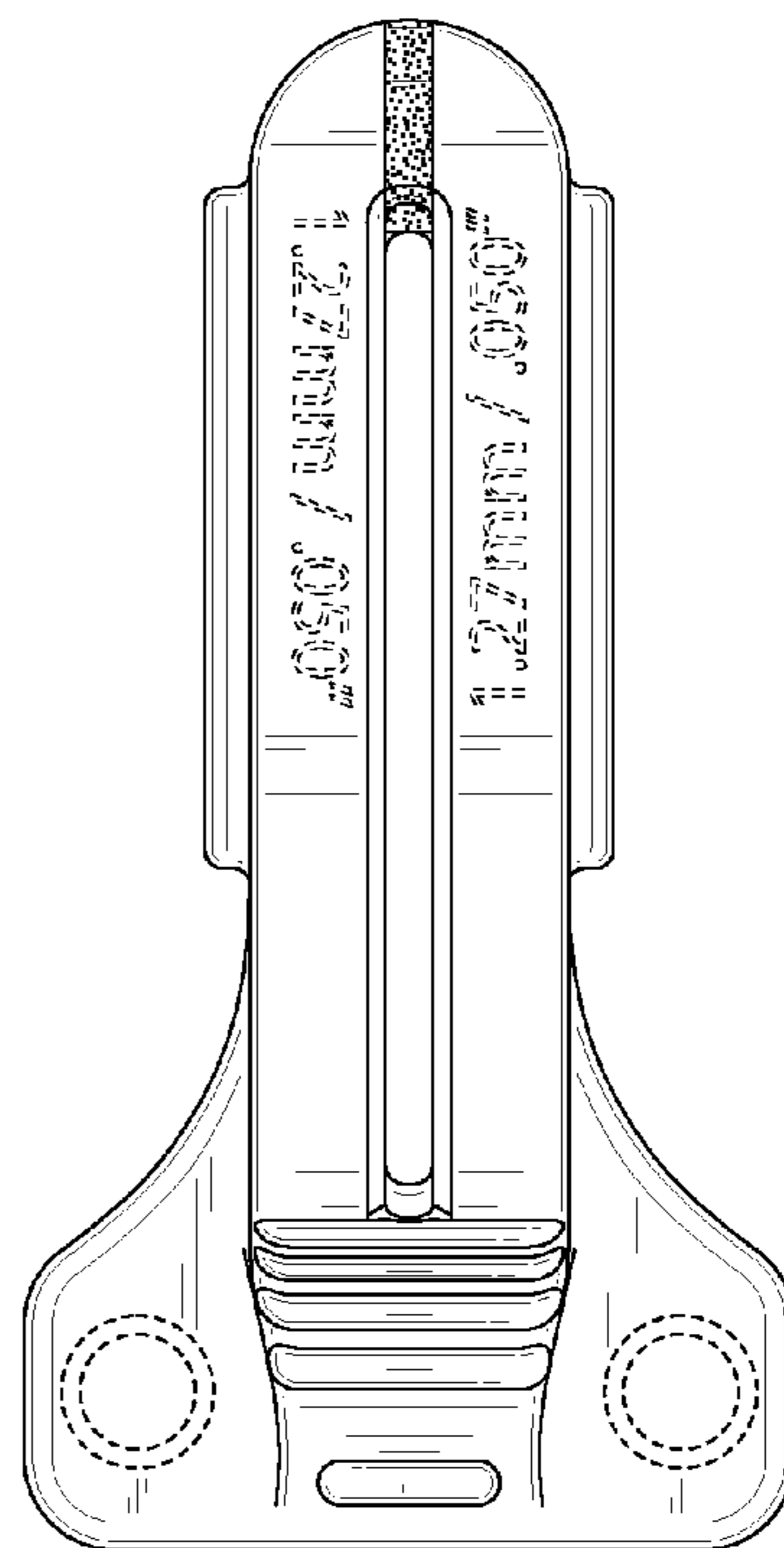
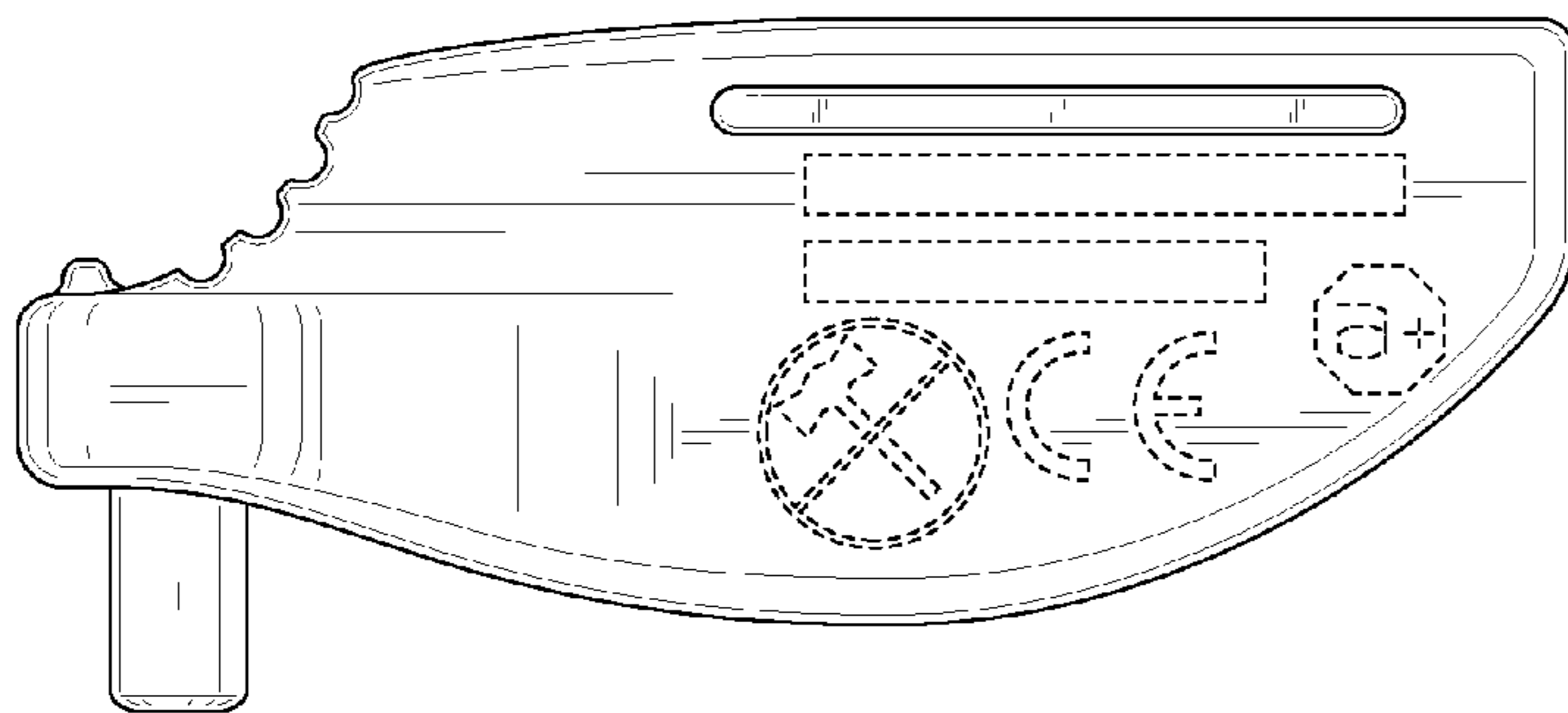
The ornamental design for a femoral box cut guide, as shown and described.

DESCRIPTION

FIG. 1 is a perspective view of a femoral box cut guide shown in an environment illustrating our new design;
FIG. 2 is a left side elevation view of the femoral box cut guide shown removed from its environment in order to show aspects of the design that are not apparent in the perspective view;
FIG. 3 is a right side elevation view thereof;
FIG. 4 is a rear end elevation view thereof;
FIG. 5 is a front end elevation view thereof;
FIG. 6 is a top plan view thereof; and,
FIG. 7 is a bottom plan view thereof.

The broken lines shown that are immediately adjacent the shaded areas represent unclaimed boundaries while all other broken lines are directed to environment and are for illustrative purposes only; the broken lines form no part of the claimed design.

1 Claim, 4 Drawing Sheets



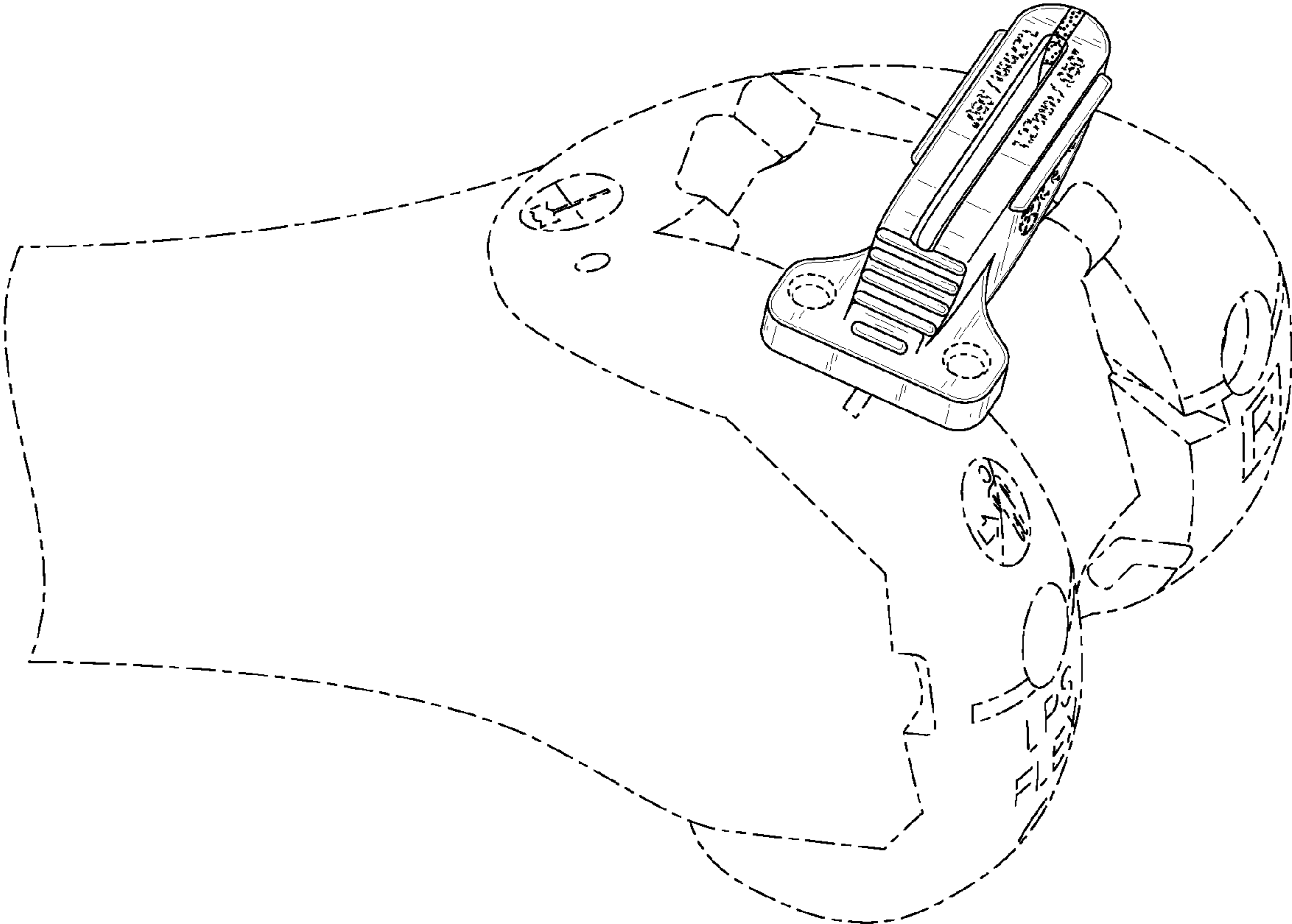


FIG. 1

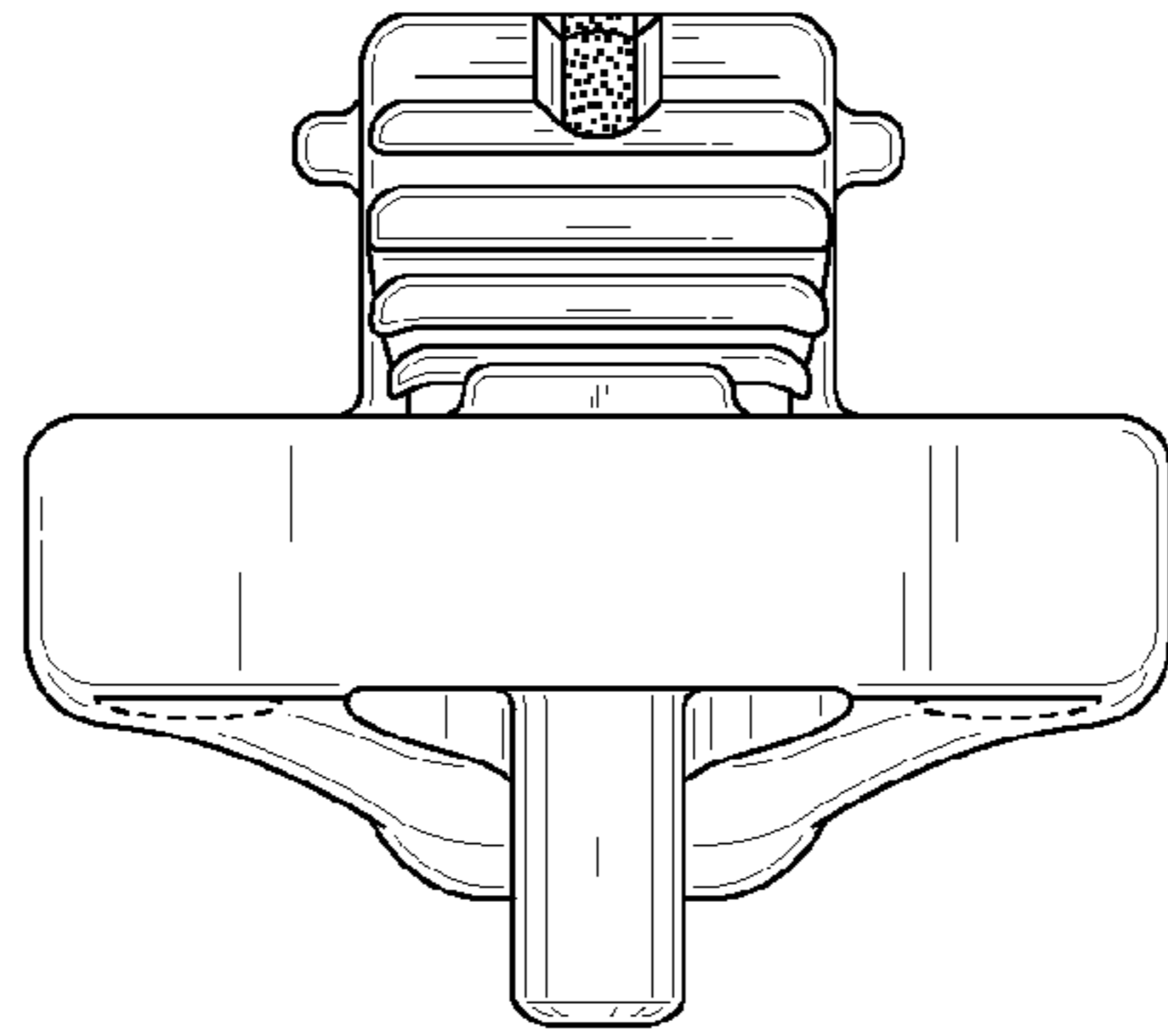


FIG. 2

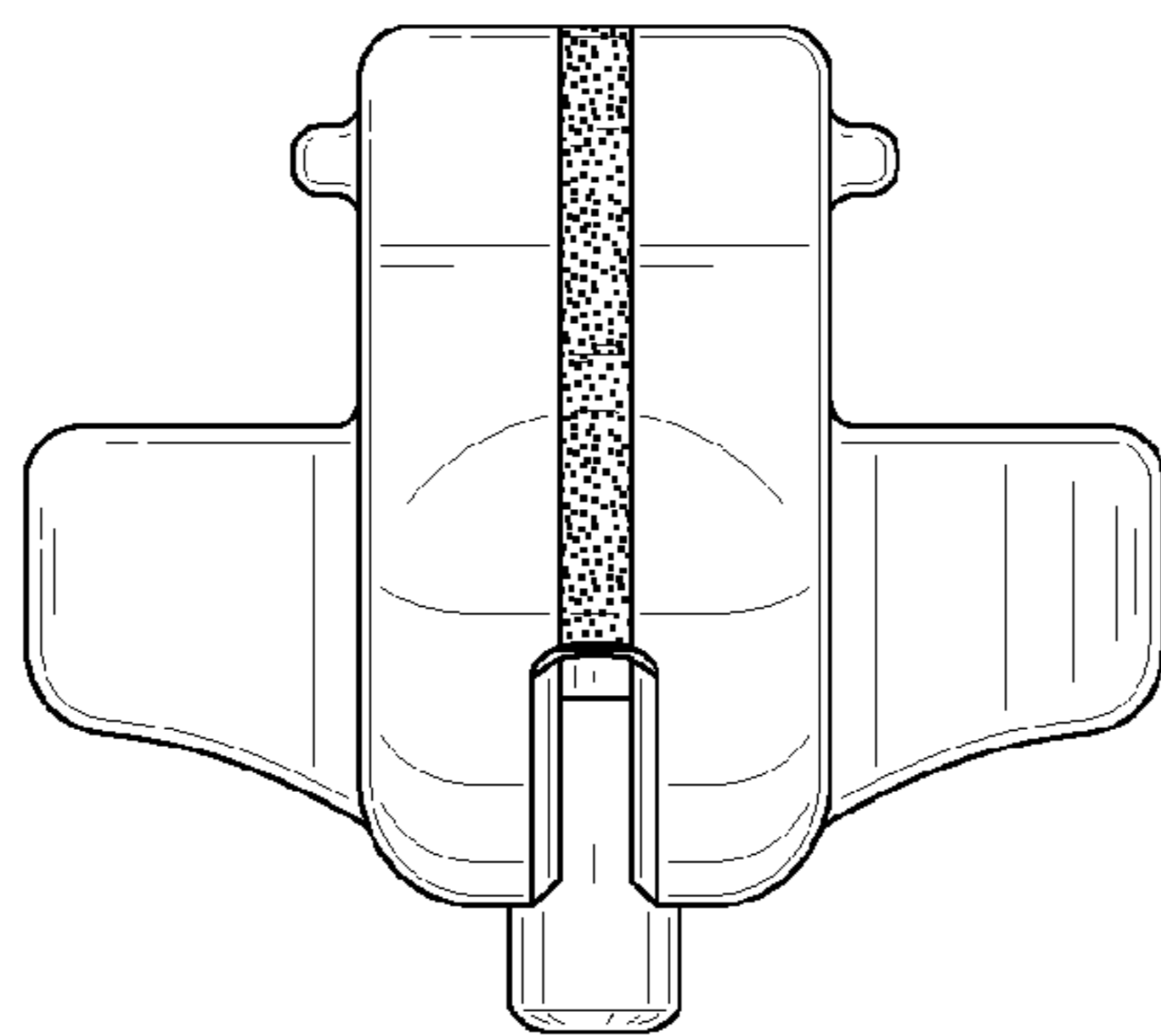


FIG. 3

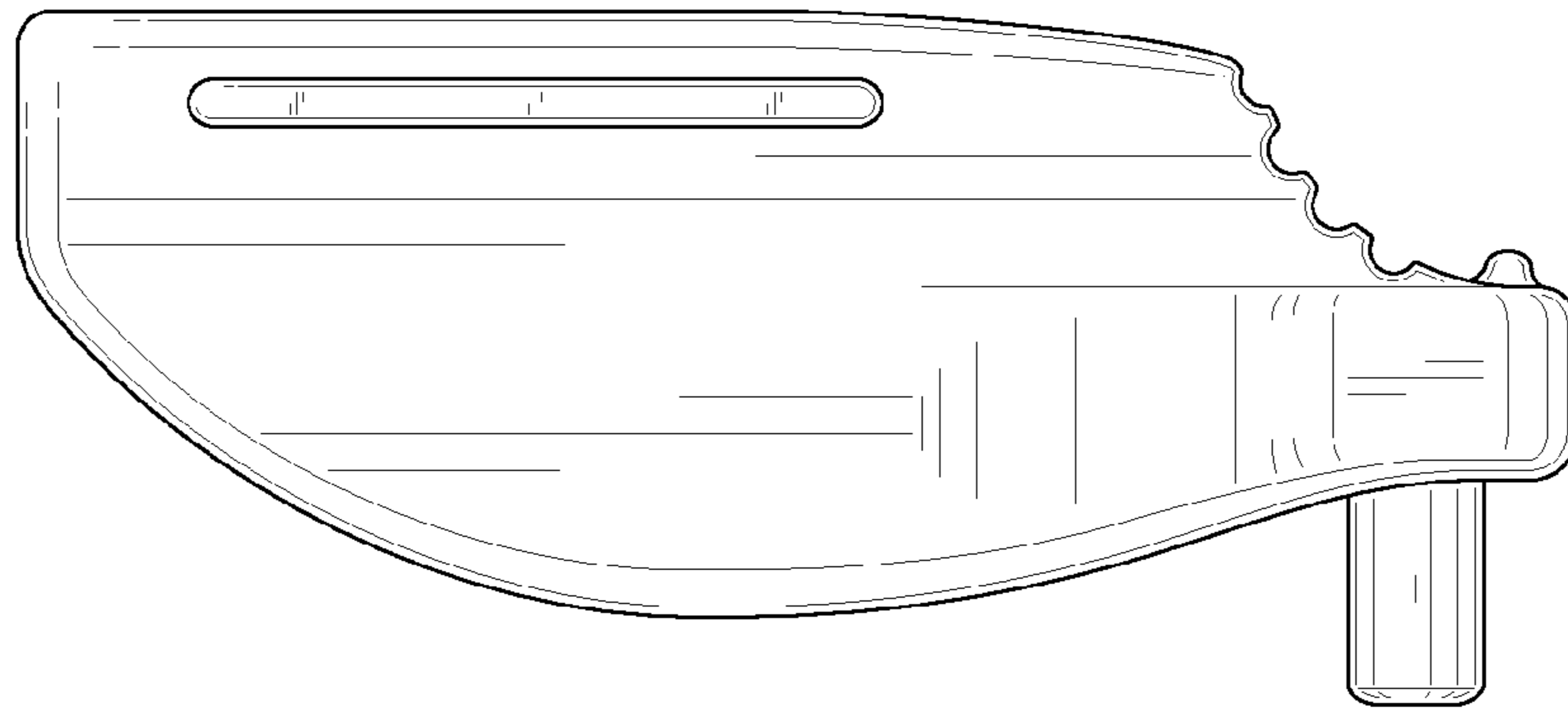


FIG. 4

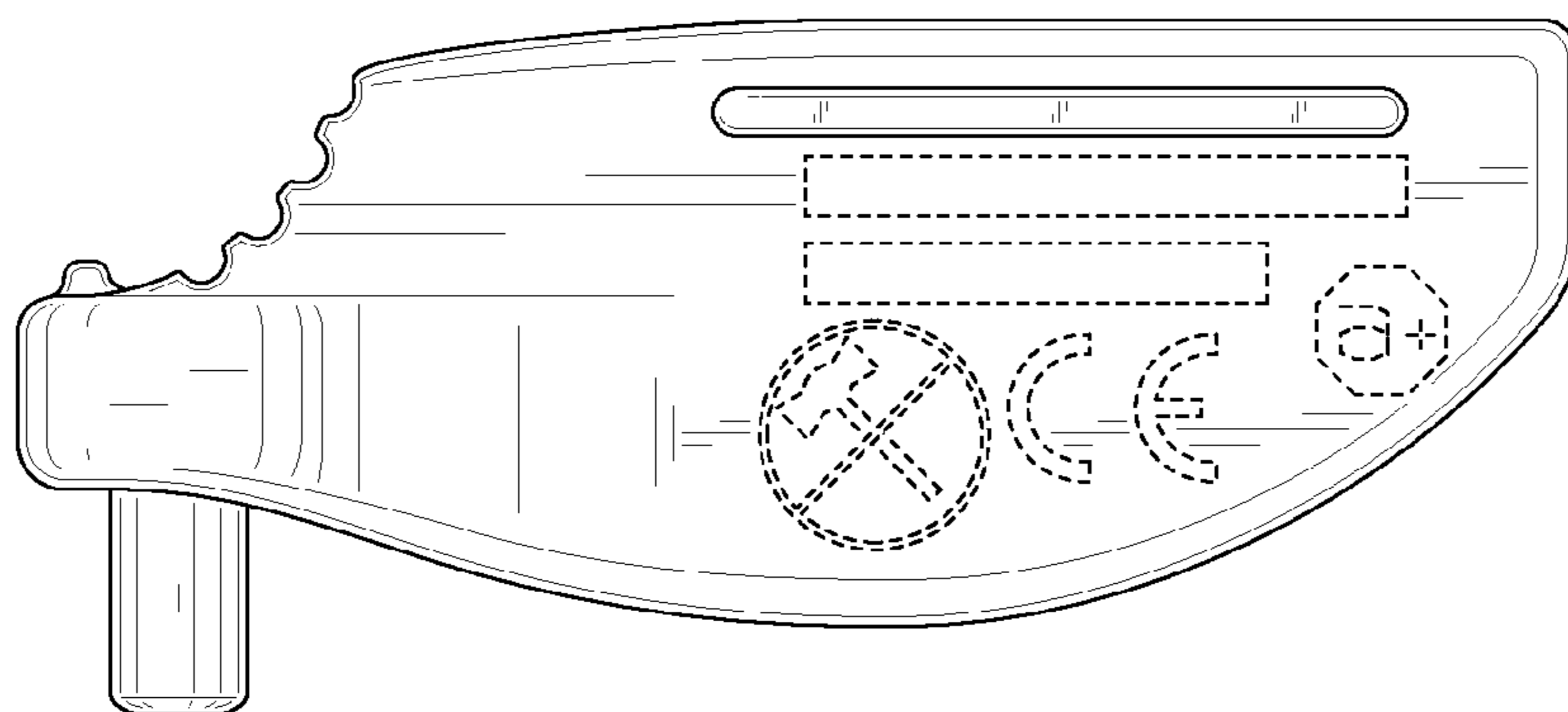


FIG. 5

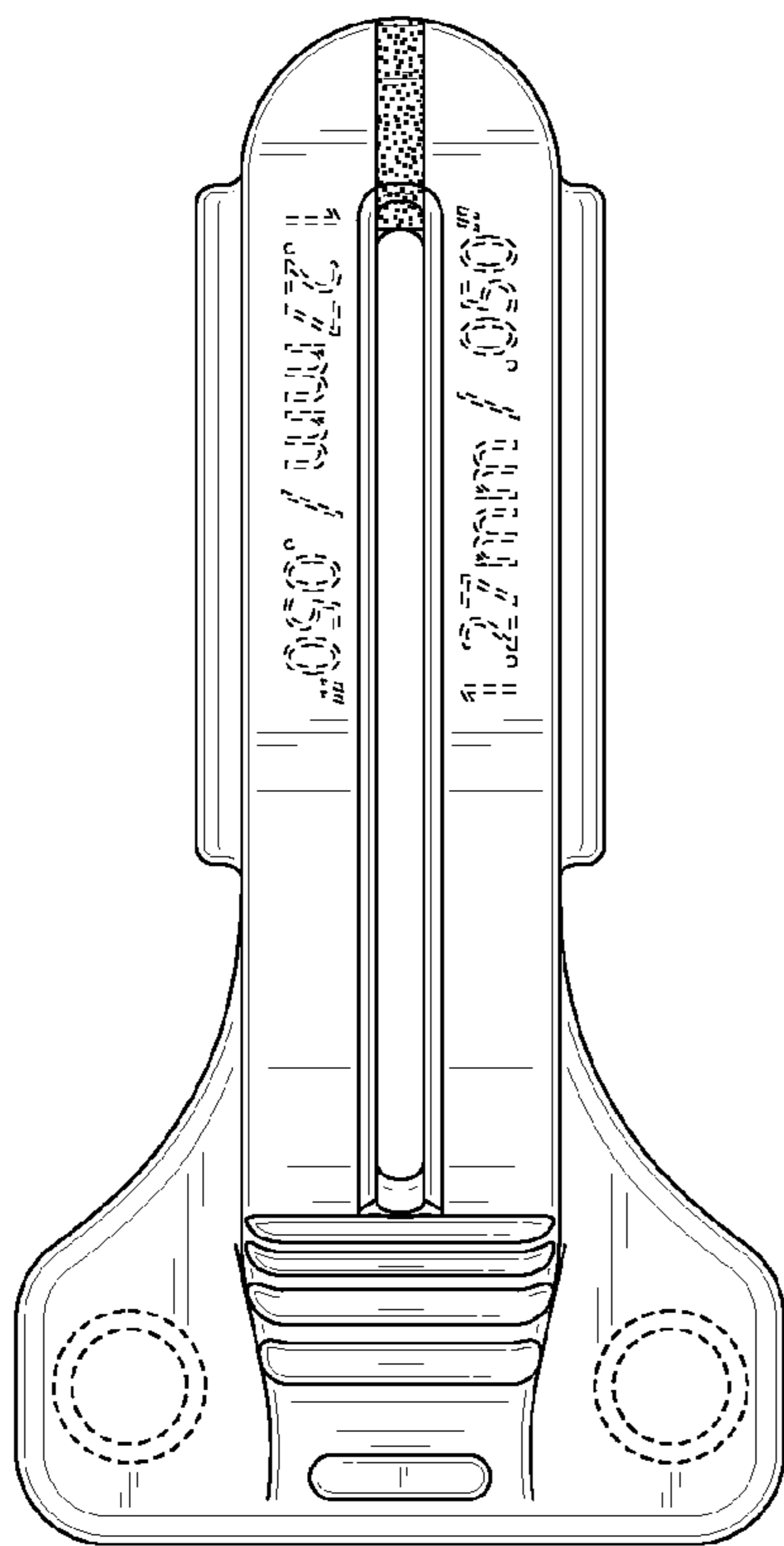


FIG. 6

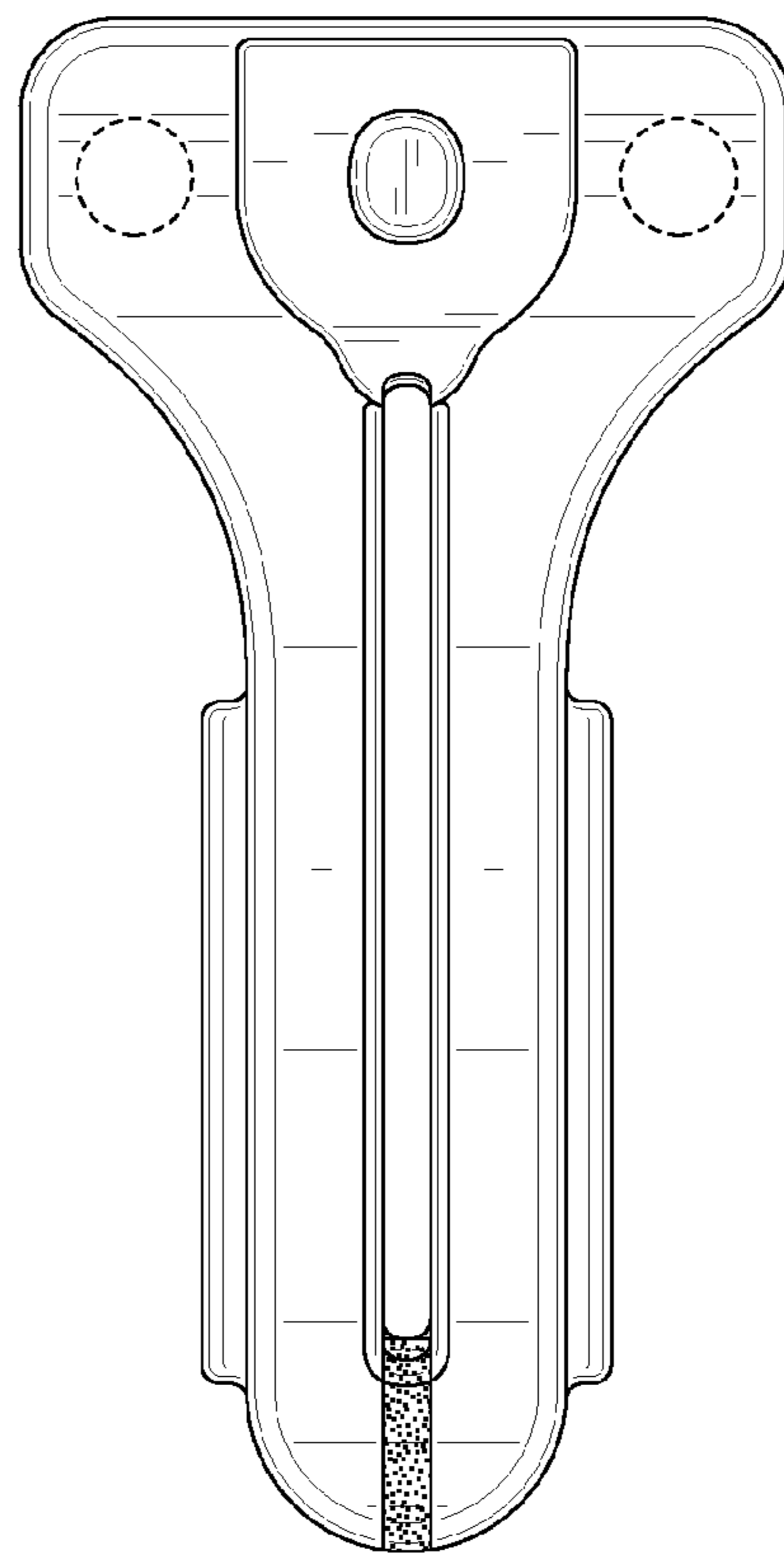


FIG. 7