



US00D649639S

(12) **United States Design Patent**  
**Bertoni et al.**

(10) **Patent No.:** **US D649,639 S**

(45) **Date of Patent:** **\*\* Nov. 29, 2011**

(54) **COMBINATION MODULAR FEMORAL PROVISIONAL PROSTHESIS WITH CUT GUIDE**

2009/0125115	A1 *	5/2009	Popoola et al. ....	623/20.14
2010/0016987	A1 *	1/2010	Scrafton et al. ....	623/23.56
2010/0076567	A1 *	3/2010	Justin et al. ....	623/20.35
2011/0125202	A1 *	5/2011	Ries et al. ....	606/86 R

(75) Inventors: **Amber Bertoni**, Warsaw, IN (US);  
**Douglas G. Branscome**, Fort Wayne, IN (US);  
**Timothy P. Dolan**, Goshen, IN (US)

\* cited by examiner

*Primary Examiner* — Bridget L Eland

(74) *Attorney, Agent, or Firm* — Baker & Daniels LLP

(73) Assignee: **Zimmer, Inc.**, Warsaw, IN (US)

(57) **CLAIM**

The ornamental design for a combination modular femoral provisional prosthesis with cut guide, as shown and described.

(\*\*) Term: **14 Years**

**DESCRIPTION**

(21) Appl. No.: **29/362,755**

(22) Filed: **May 28, 2010**

(51) **LOC (9) Cl.** ..... **24-02**

(52) **U.S. Cl.** ..... **D24/140; D24/155**

(58) **Field of Classification Search** ..... D24/133,  
D24/140, 143, 144, 145, 146, 147, 155, 171;  
606/1, 53, 86 R, 87, 88, 89, 99, 105, 205,  
606/206, 211, 916, 237

See application file for complete search history.

(56) **References Cited**

**U.S. PATENT DOCUMENTS**

D274,095	S *	5/1984	Kenna .....	D24/140
4,659,331	A *	4/1987	Matthews et al. ....	623/20.21
D291,003	S *	7/1987	Huckstep .....	D24/155
4,926,847	A *	5/1990	Luckman .....	606/88
4,979,949	A *	12/1990	Matsen et al. ....	606/53
5,258,032	A *	11/1993	Bertin .....	623/20.35
5,454,816	A *	10/1995	Ashby .....	606/88
5,462,550	A *	10/1995	Dietz et al. ....	606/86 R
D374,078	S *	9/1996	Johnson et al. ....	D24/155
5,702,460	A *	12/1997	Carls et al. ....	606/79
D473,307	S *	4/2003	Cooke .....	D24/155
RE39,301	E *	9/2006	Bertin .....	606/88
2004/0039450	A1 *	2/2004	Griner et al. ....	623/20.31
2004/0172137	A1 *	9/2004	Blaylock et al. ....	623/20.16
2005/0143745	A1 *	6/2005	Hodorek et al. ....	606/87
2006/0058803	A1 *	3/2006	Cuckler et al. ....	606/79
2006/0173547	A1 *	8/2006	Ensign .....	623/20.15
2007/0260323	A1 *	11/2007	Earl et al. ....	623/20.35
2007/0282451	A1 *	12/2007	Metzger et al. ....	623/20.28
2008/0306484	A1 *	12/2008	Coon et al. ....	606/88
2009/0088762	A1 *	4/2009	Koenemann .....	606/88

FIG. 1 is a perspective view of a combination modular femoral provisional prosthesis with cut guide shown in an environment illustrating our new design;

FIG. 2 is front end elevation view of the combination modular femoral provisional prosthesis with cut guide shown removed from its environment and isolated from the modular box provisional component portion in order to show aspects of the design that are not apparent in the perspective view;

FIG. 3 is a rear end elevation view thereof;

FIG. 4 is a left side elevation view thereof;

FIG. 5 is a right side elevation view thereof;

FIG. 6 is a top plan view thereof;

FIG. 7 is a bottom plan view thereof;

FIG. 8 is a front end elevation view of the combination modular femoral provisional prosthesis with cut guide shown removed from its environment and isolated from the modular femoral provisional prosthesis portion in order to show aspects of the design that are not apparent in the perspective view;

FIG. 9 is a rear end elevation view thereof;

FIG. 10 is a left side elevation view thereof;

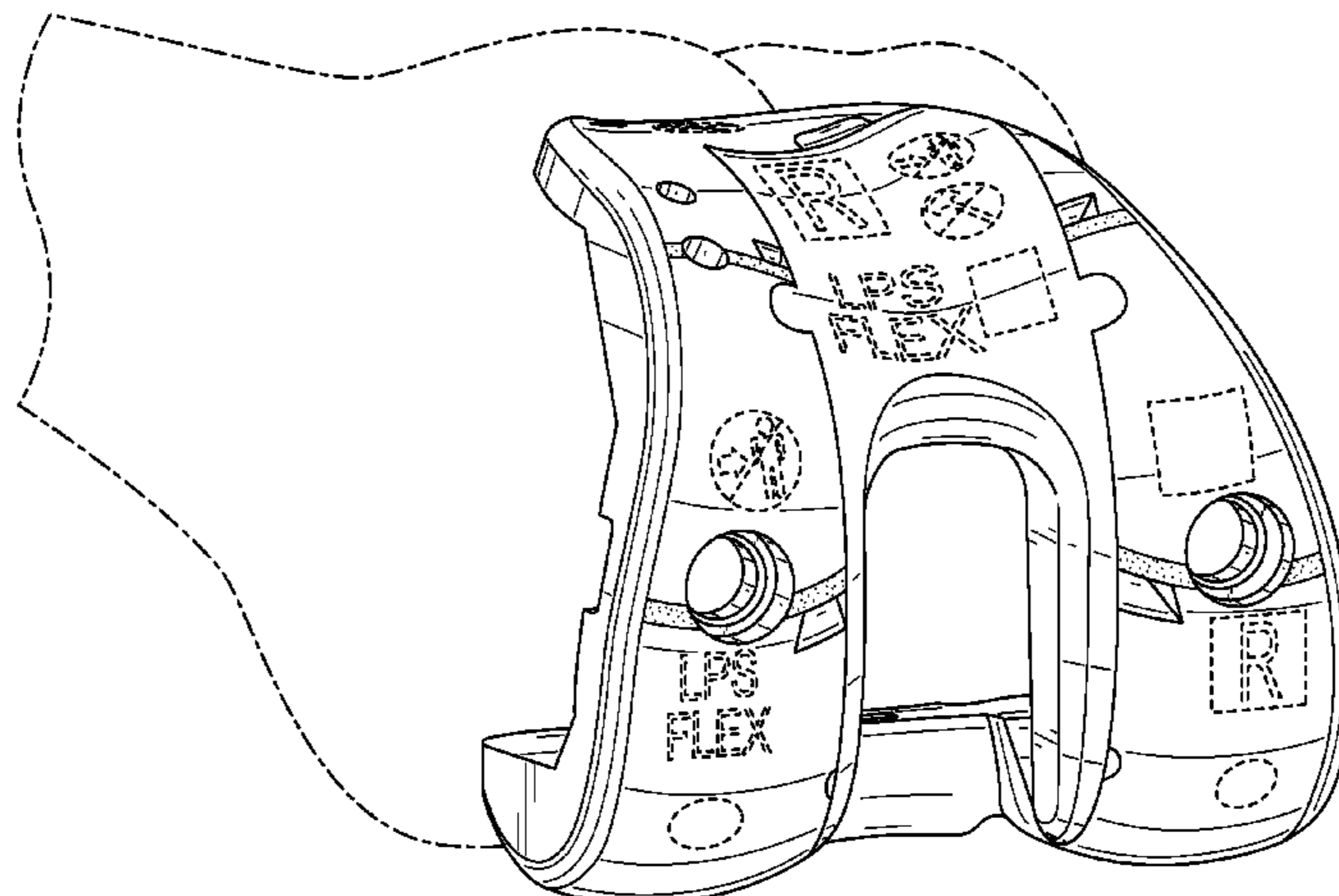
FIG. 11 is a right side elevation view thereof;

FIG. 12 is a top plan view thereof; and,

FIG. 13 is a bottom plan view thereof.

The evenly spaced broken lines shown that are immediately adjacent the shaded areas, and define unshaded regions, represent unclaimed boundaries while the remaining evenly spaced broken lines and the dot-dash broken lines are directed to environment and are for illustrative purposes only; the broken lines form no part of the claimed design.

**1 Claim, 13 Drawing Sheets**



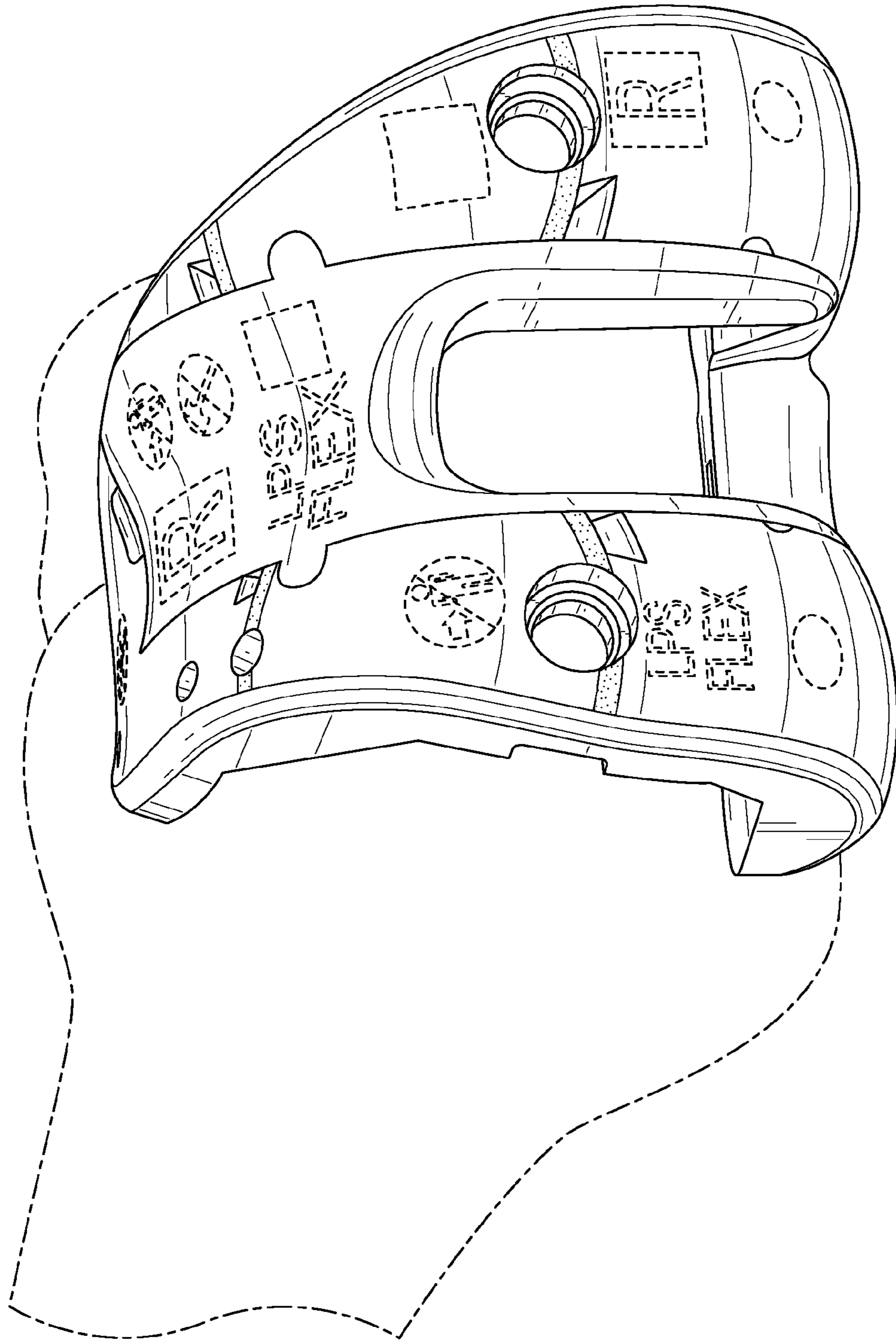


FIG. 1

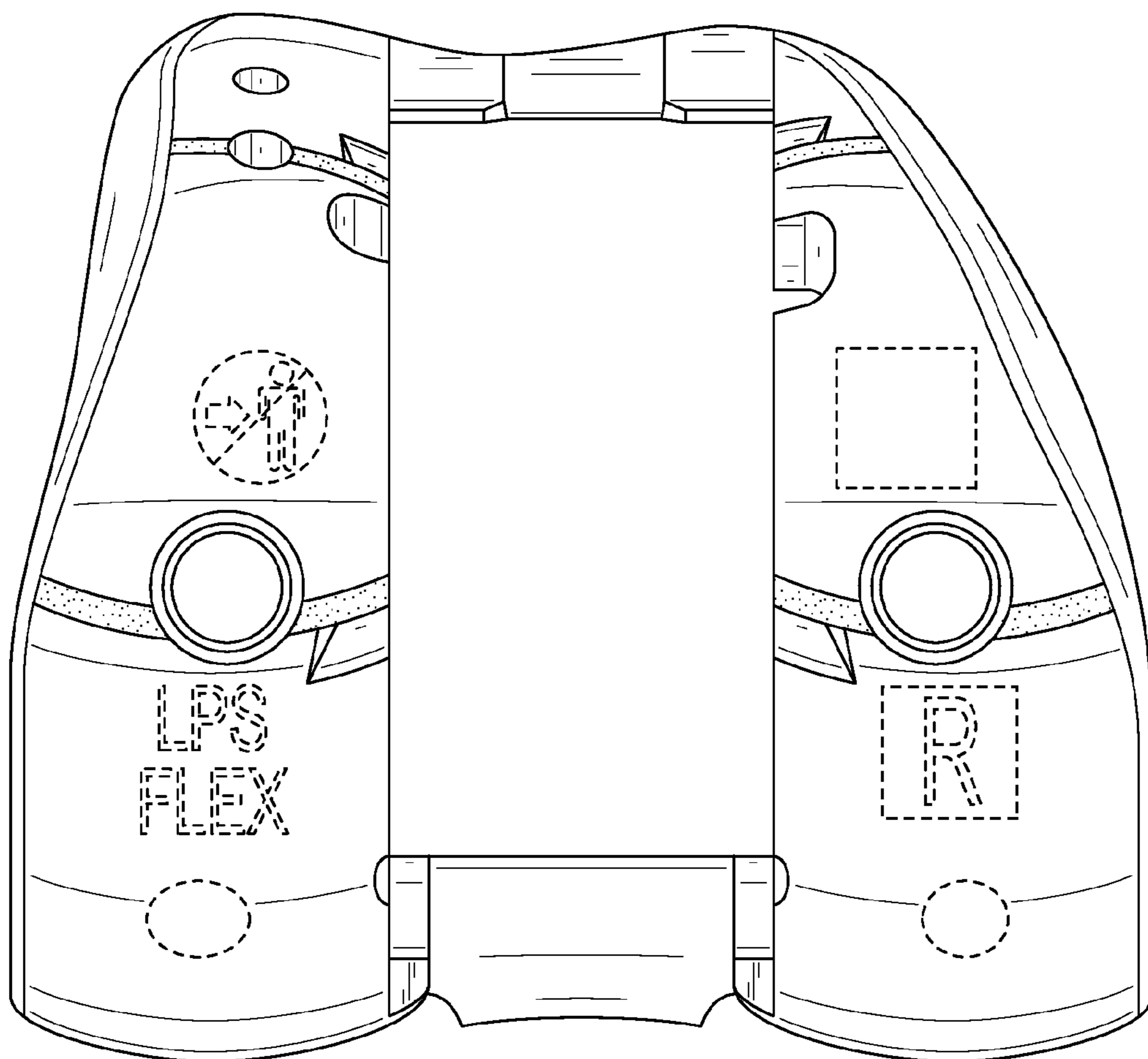


FIG. 2

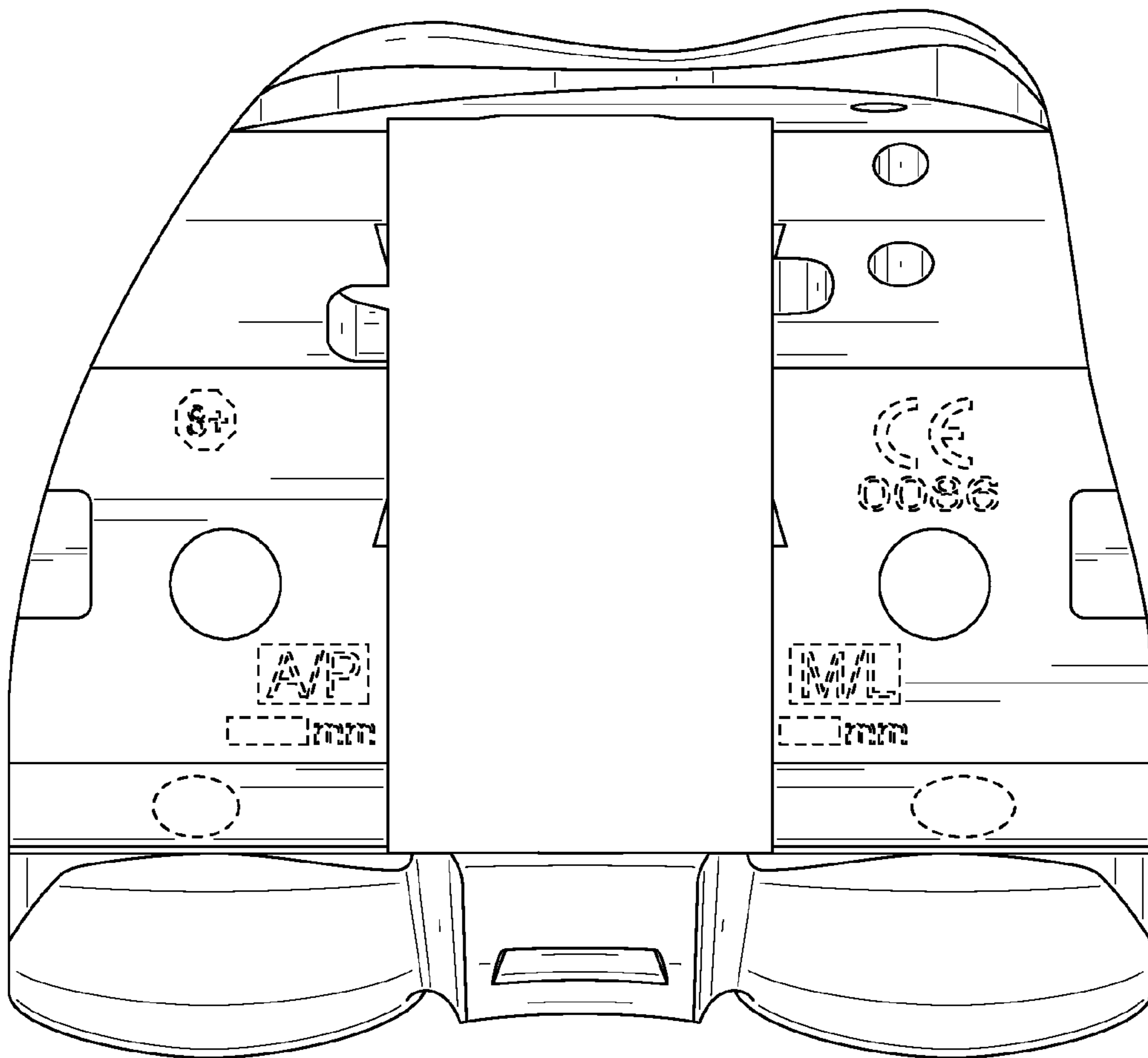


FIG. 3



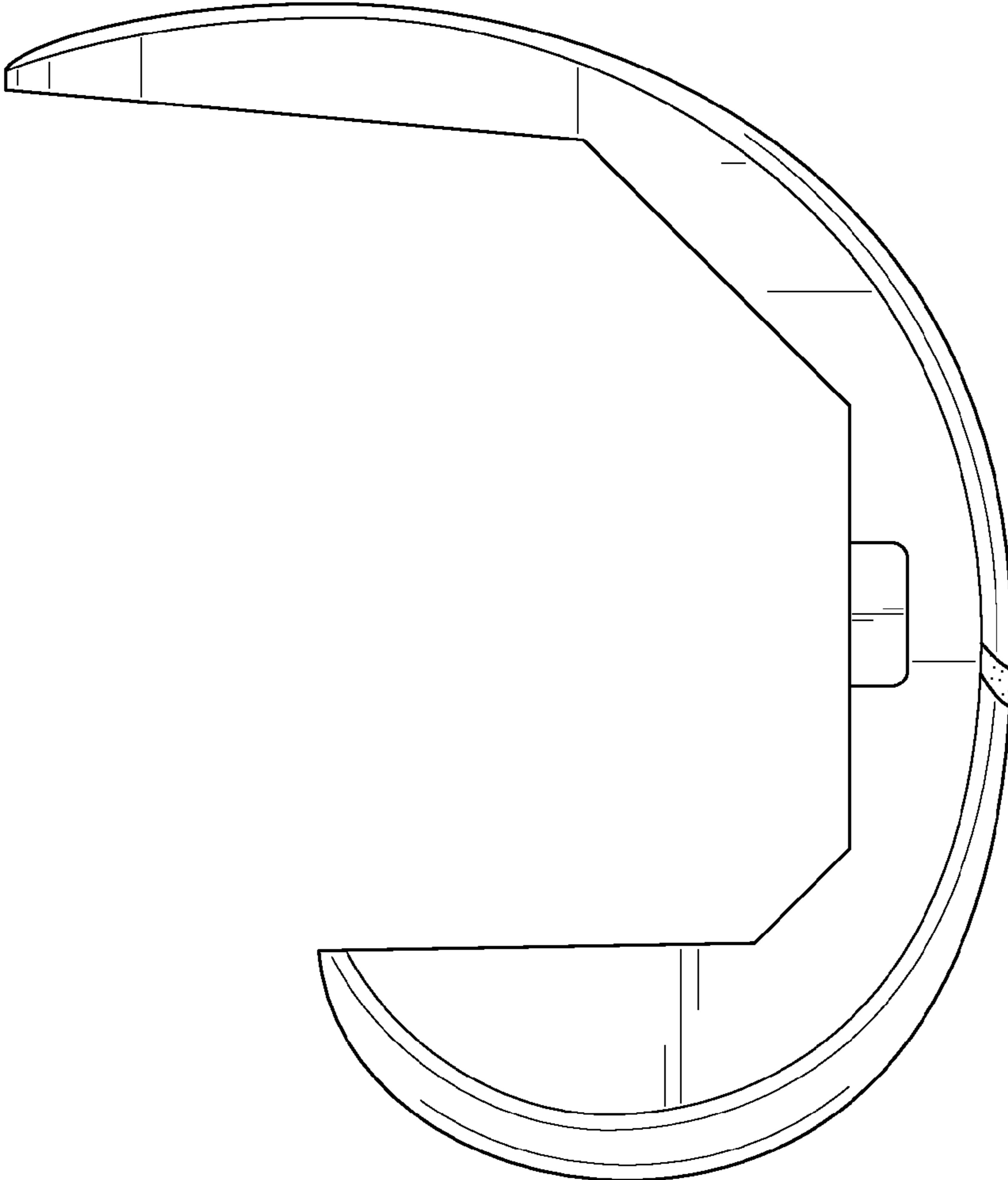


FIG. 4

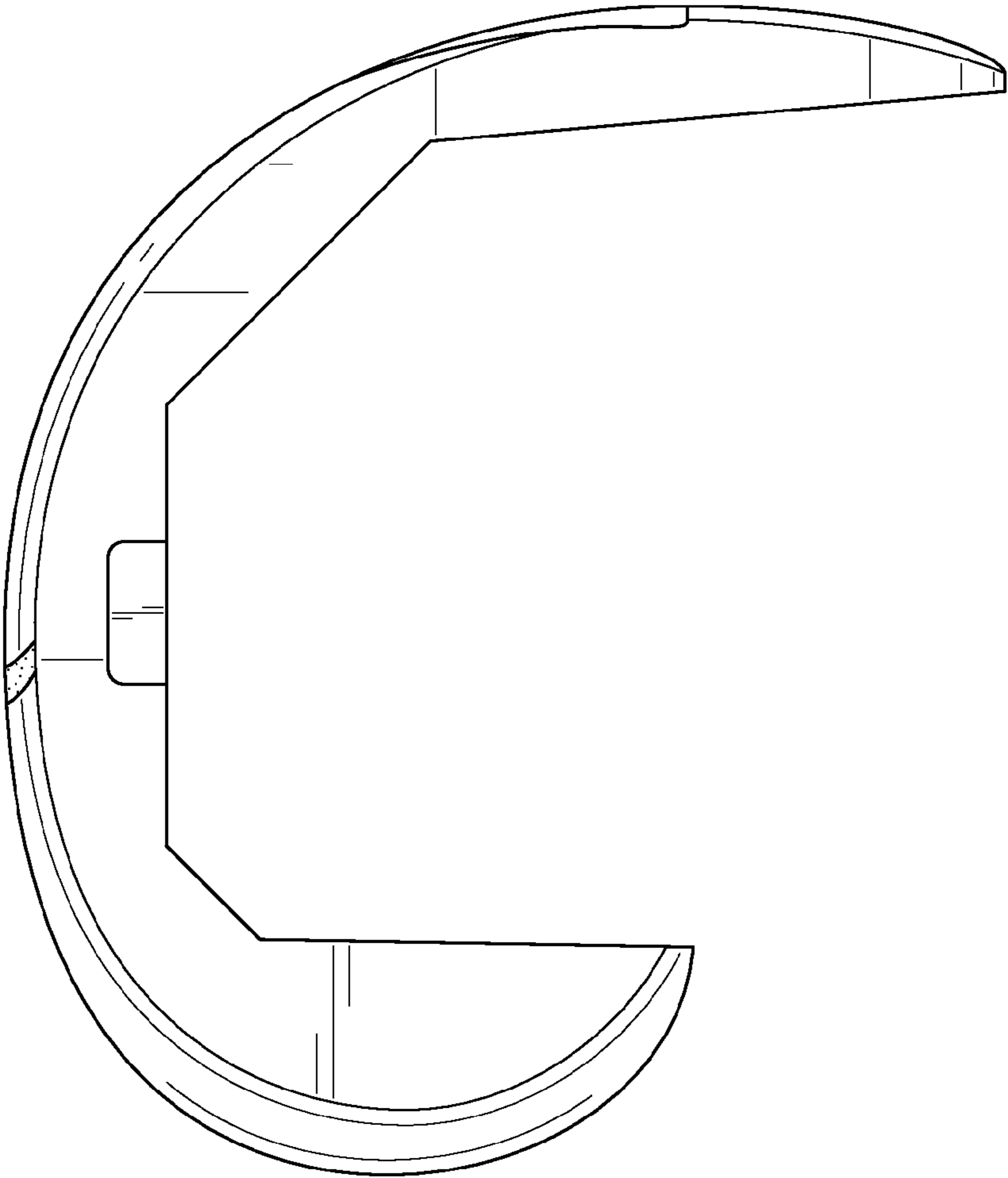


FIG. 5

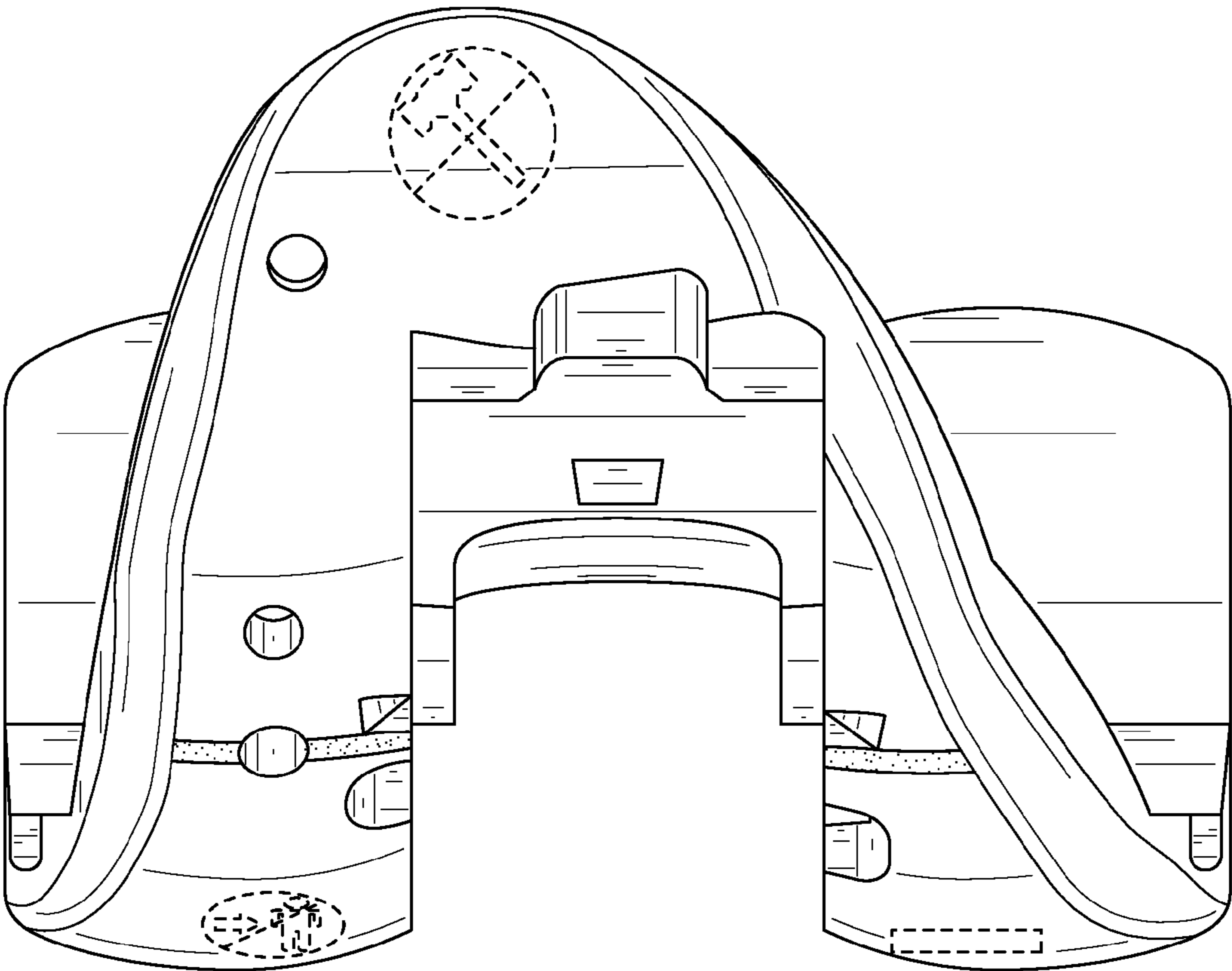


FIG. 6

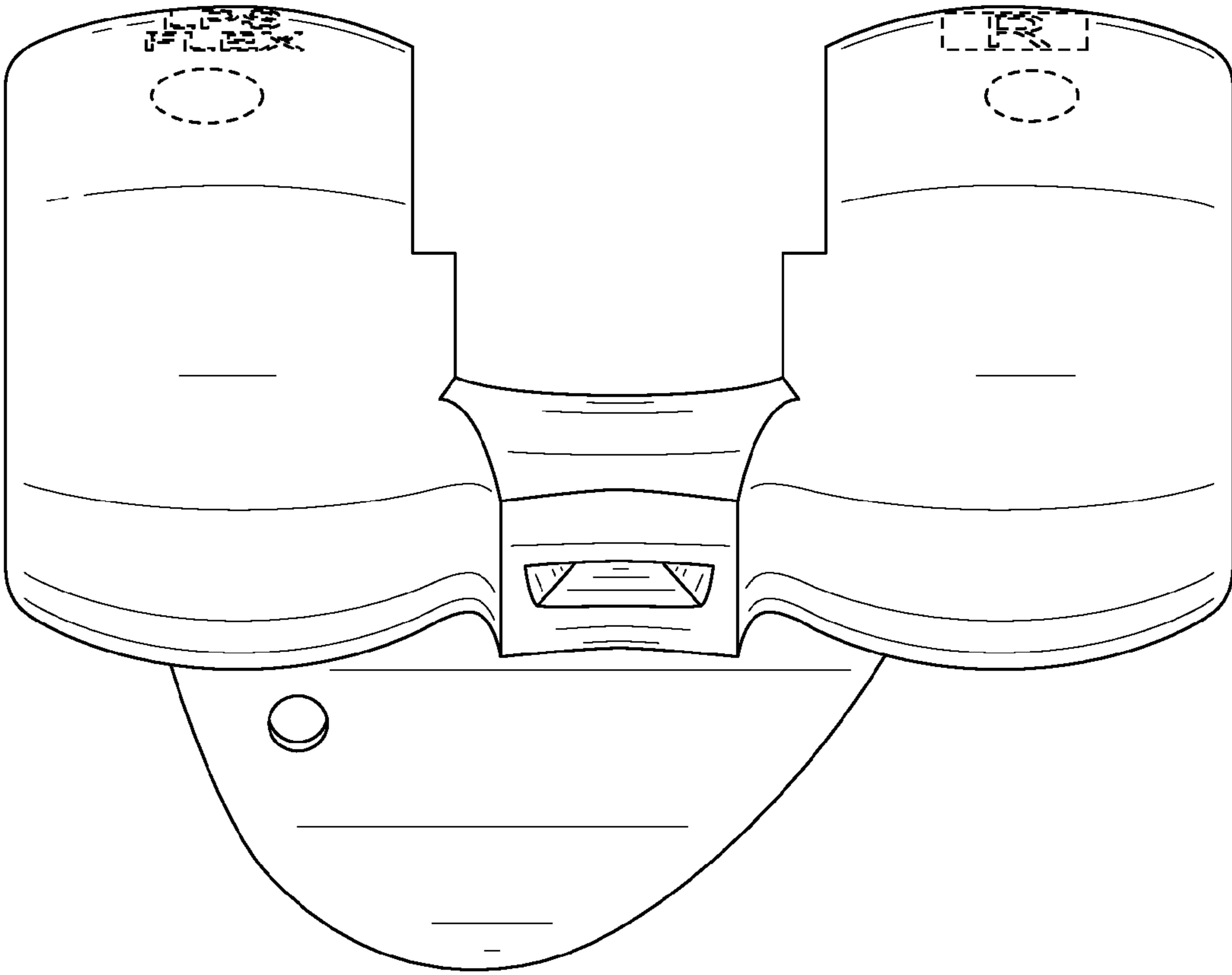


FIG. 7



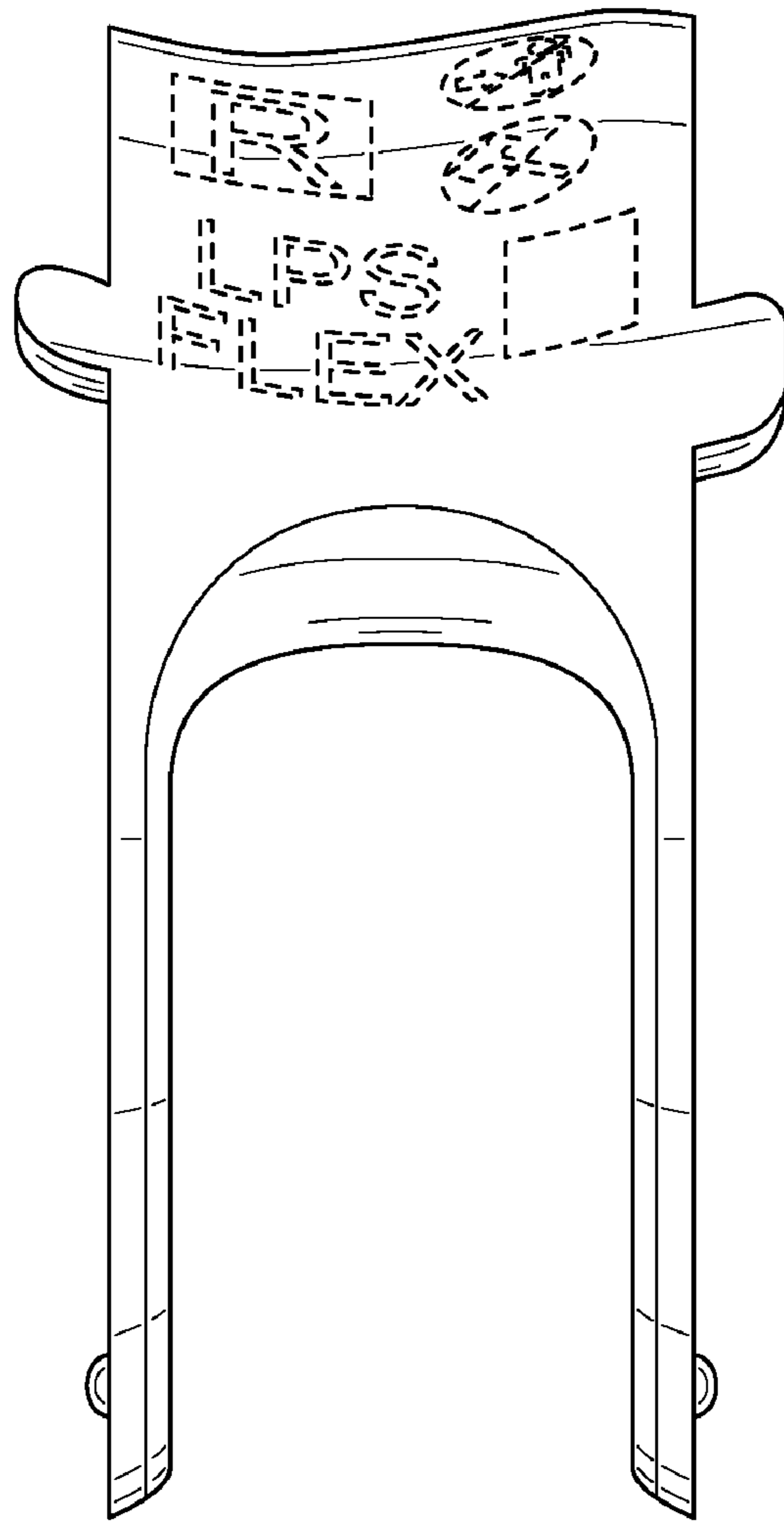


FIG. 8

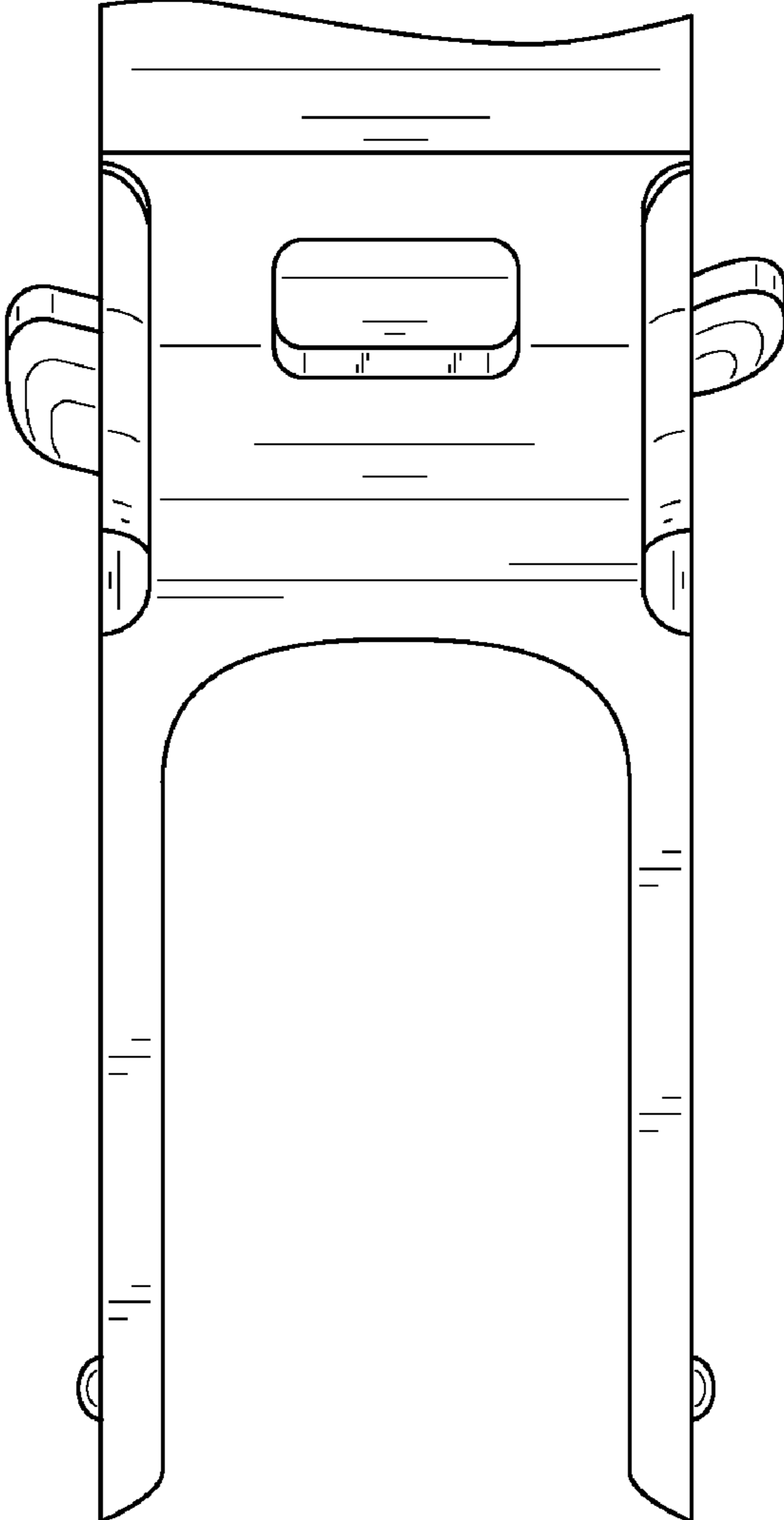


FIG. 9

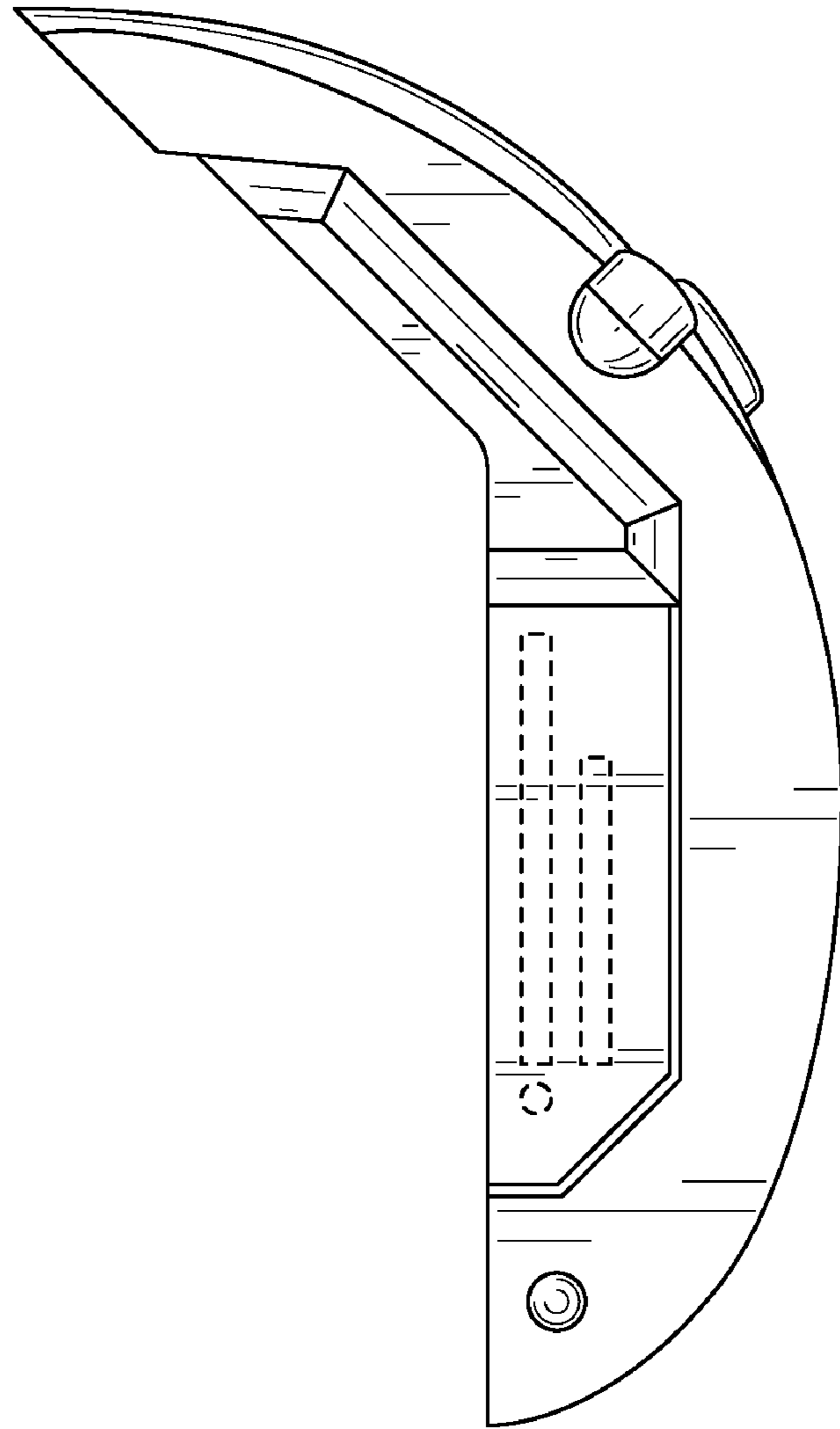


FIG. 10

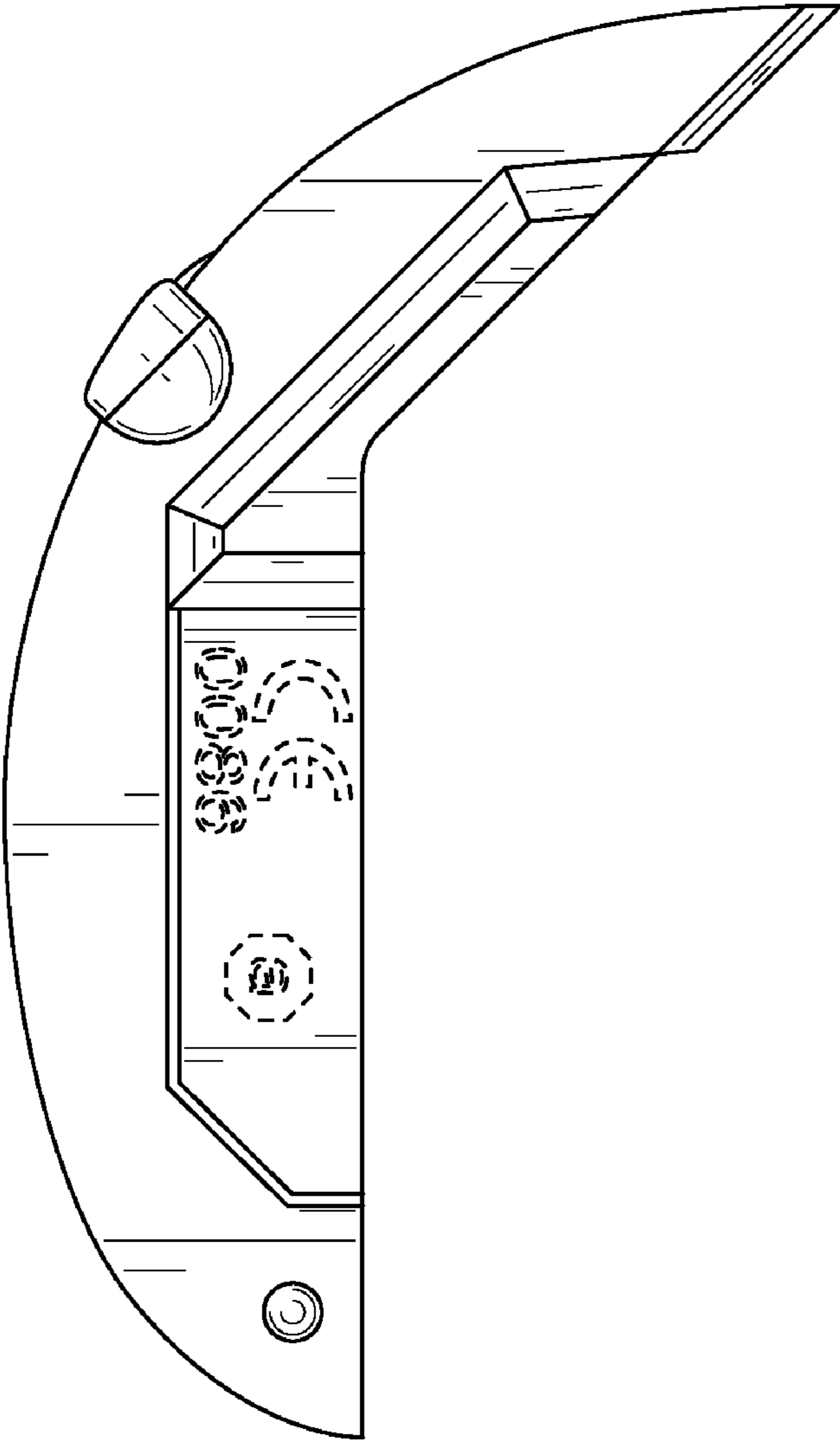


FIG. 11

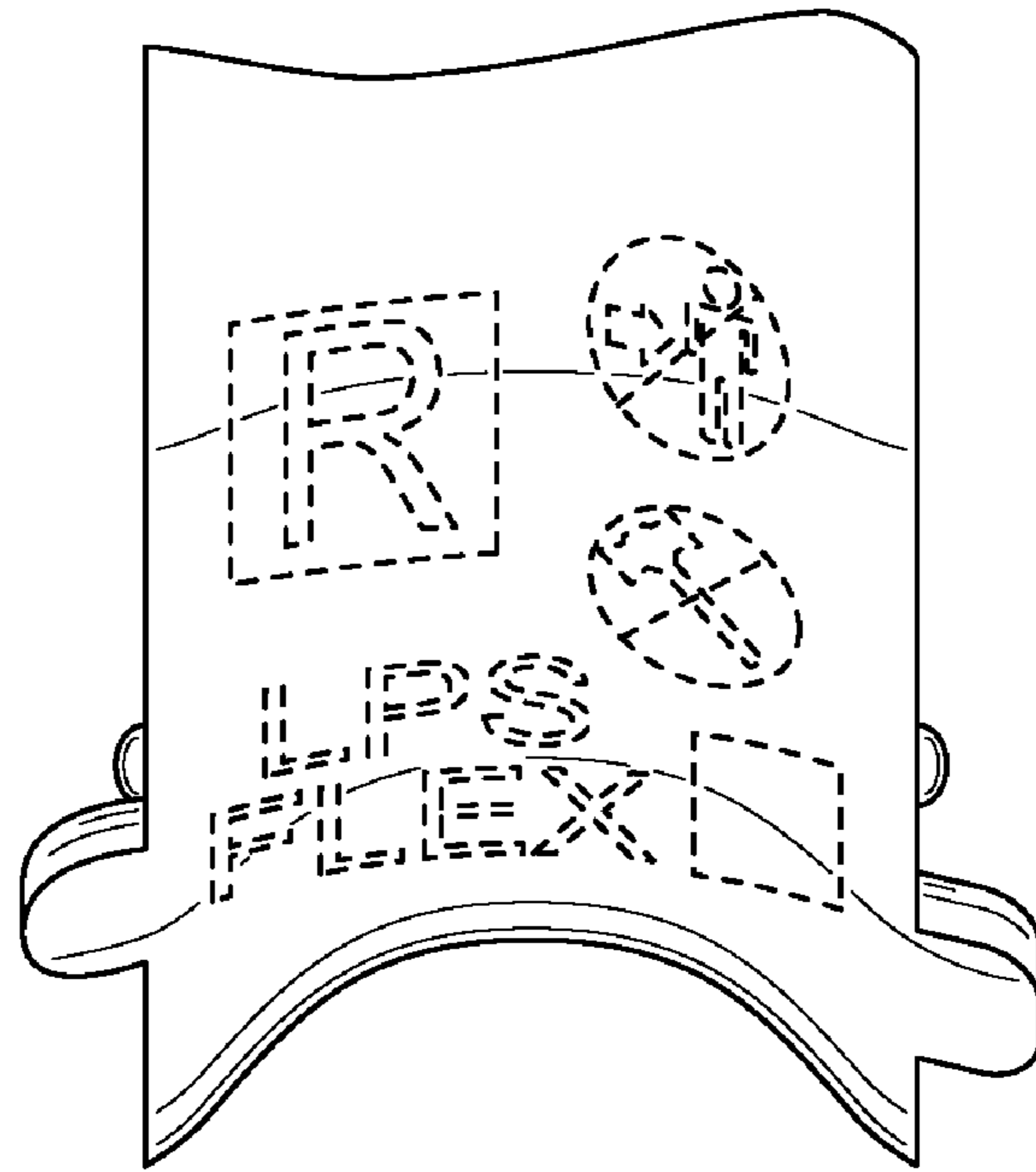


FIG. 12

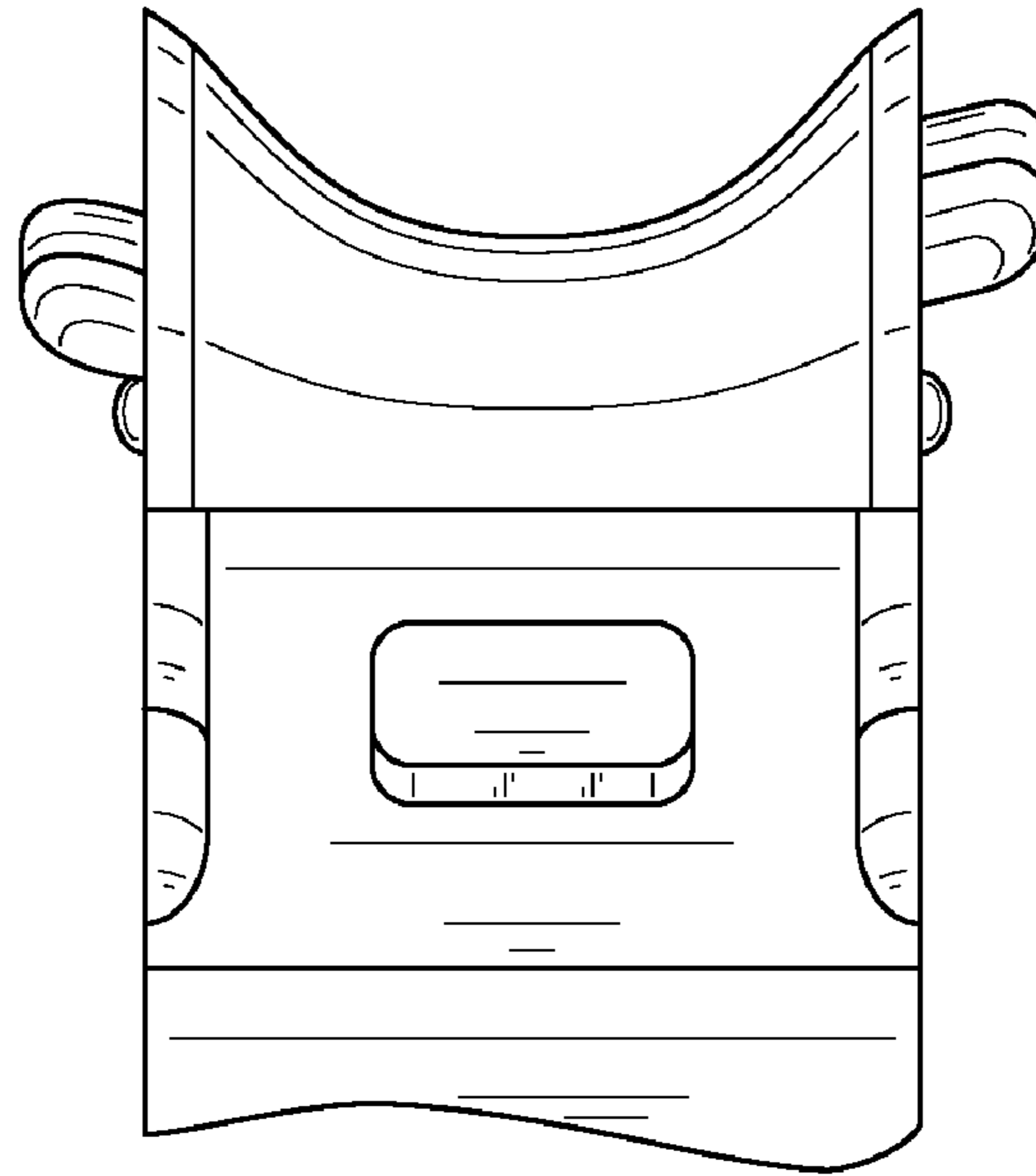


FIG. 13