



US00D649638S

(12) **United States Design Patent**
Habegger et al.

(10) **Patent No.:** **US D649,638 S**

(45) **Date of Patent:** **** Nov. 29, 2011**

(54) **TIBIAL DEPTH RESECTION STYLUS**

(75) Inventors: **Abraham P. Habegger**, Milford, IN (US); **Jeffery A. VanDiepenbos**, Syracuse, IN (US); **Aaron M. Bailey**, Warsaw, IN (US)

(73) Assignee: **Zimmer, Inc.**, Warsaw, IN (US)

(**) Term: **14 Years**

(21) Appl. No.: **29/362,748**

(22) Filed: **May 28, 2010**

(51) **LOC (9) Cl.** **24-02**

(52) **U.S. Cl.** **D24/140**

(58) **Field of Classification Search** D24/133, D24/140, 143, 144, 145, 146, 147, 155, 171; 606/1, 53, 86 R, 87, 88, 89, 99, 105, 205, 606/206, 211, 916, 237

See application file for complete search history.

(56) **References Cited**

U.S. PATENT DOCUMENTS

D243,123	S	*	1/1977	Shen et al.	D24/140
D245,918	S	*	9/1977	Shen	D24/140
D272,853	S	*	2/1984	Buechel et al.	D24/140
D272,854	S	*	2/1984	Witte et al.	D24/140
D275,227	S	*	8/1984	Garner, Jr.	D24/135
4,524,766	A	*	6/1985	Petersen	606/88
4,708,139	A	*	11/1987	Dunbar, IV	606/96
5,197,944	A	*	3/1993	Steele	602/27
5,306,276	A	*	4/1994	Johnson et al.	606/86 R
5,611,802	A	*	3/1997	Samuelson et al.	606/86 R
5,628,750	A	*	5/1997	Whitlock et al.	606/88
5,749,876	A	*	5/1998	Duvillier et al.	606/88
D420,130	S	*	2/2000	Nicholas et al.	D24/135
6,090,114	A	*	7/2000	Matsuno et al.	606/88
6,645,215	B1	*	11/2003	McGovern et al.	606/102

D523,142	S	*	6/2006	Stalcup et al.	D24/135
7,488,324	B1	*	2/2009	Metzger et al.	606/89
2002/0133163	A1	*	9/2002	Axelsson et al.	606/88
2003/0028196	A1	*	2/2003	Bonutti	606/87
2003/0100907	A1	*	5/2003	Rosa et al.	606/86
2005/0149039	A1	*	7/2005	Haines et al.	606/87
2005/0182415	A1	*	8/2005	Steffensmeier et al.	606/88
2006/0142774	A1	*	6/2006	Metzger	606/79
2008/0306484	A1	*	12/2008	Coon et al.	606/88
2010/0198224	A1	*	8/2010	Metzger et al.	606/87

* cited by examiner

Primary Examiner — Bridget L Eland

(74) *Attorney, Agent, or Firm* — Baker & Daniels LLP

(57) **CLAIM**

The ornamental design for a tibial depth resection stylus, as shown and described.

DESCRIPTION

FIG. 1 is a perspective view of a tibial depth resection stylus shown in an environment illustrating our new design;

FIG. 2 is a front end elevation view of the tibial depth resection stylus shown removed from its environment in order to show aspects of the design that are not apparent in the perspective view;

FIG. 3 is a rear end elevation view thereof;

FIG. 4 is a left side elevation view thereof;

FIG. 5 is a right side elevation view thereof;

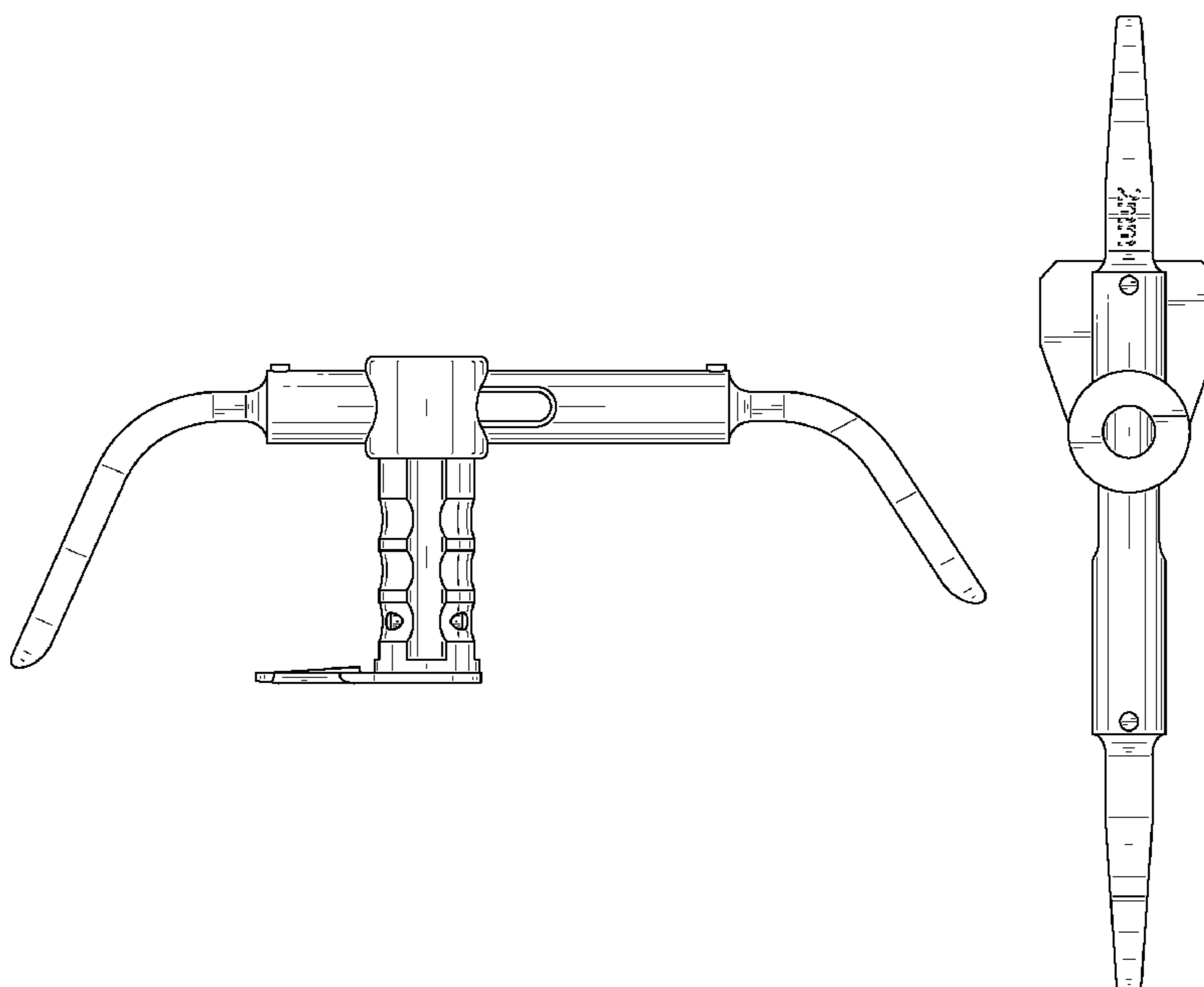
FIG. 6 is a top plan view thereof;

FIG. 7 is a bottom plan view thereof; and,

FIG. 8 is a perspective view thereof.

The broken lines shown that are immediately adjacent the shaded areas represent unclaimed boundaries while the dot-dash broken lines are directed to environment and are for illustrative purposes only; the broken lines form no part of the claimed design.

1 Claim, 5 Drawing Sheets



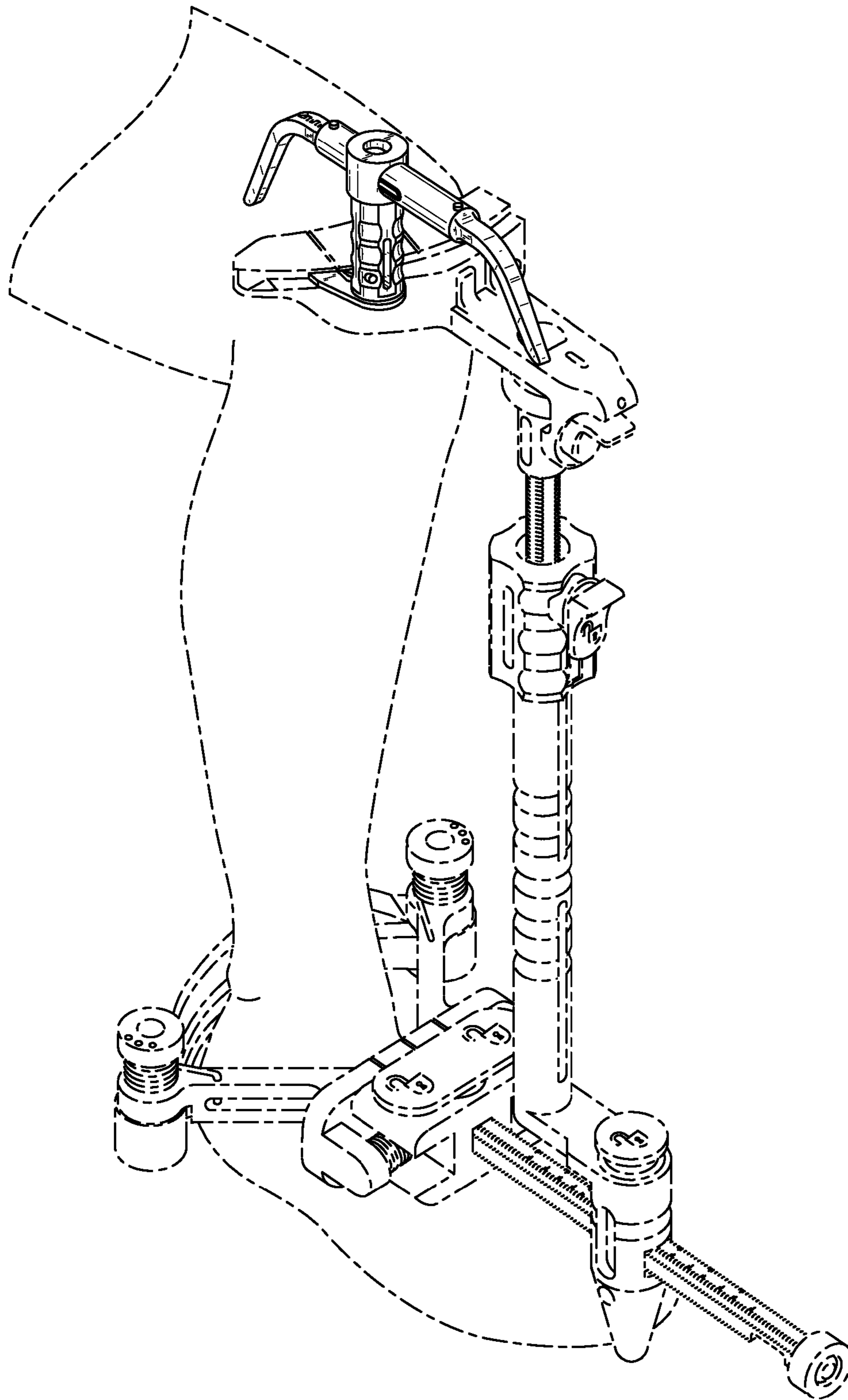


FIG. 1

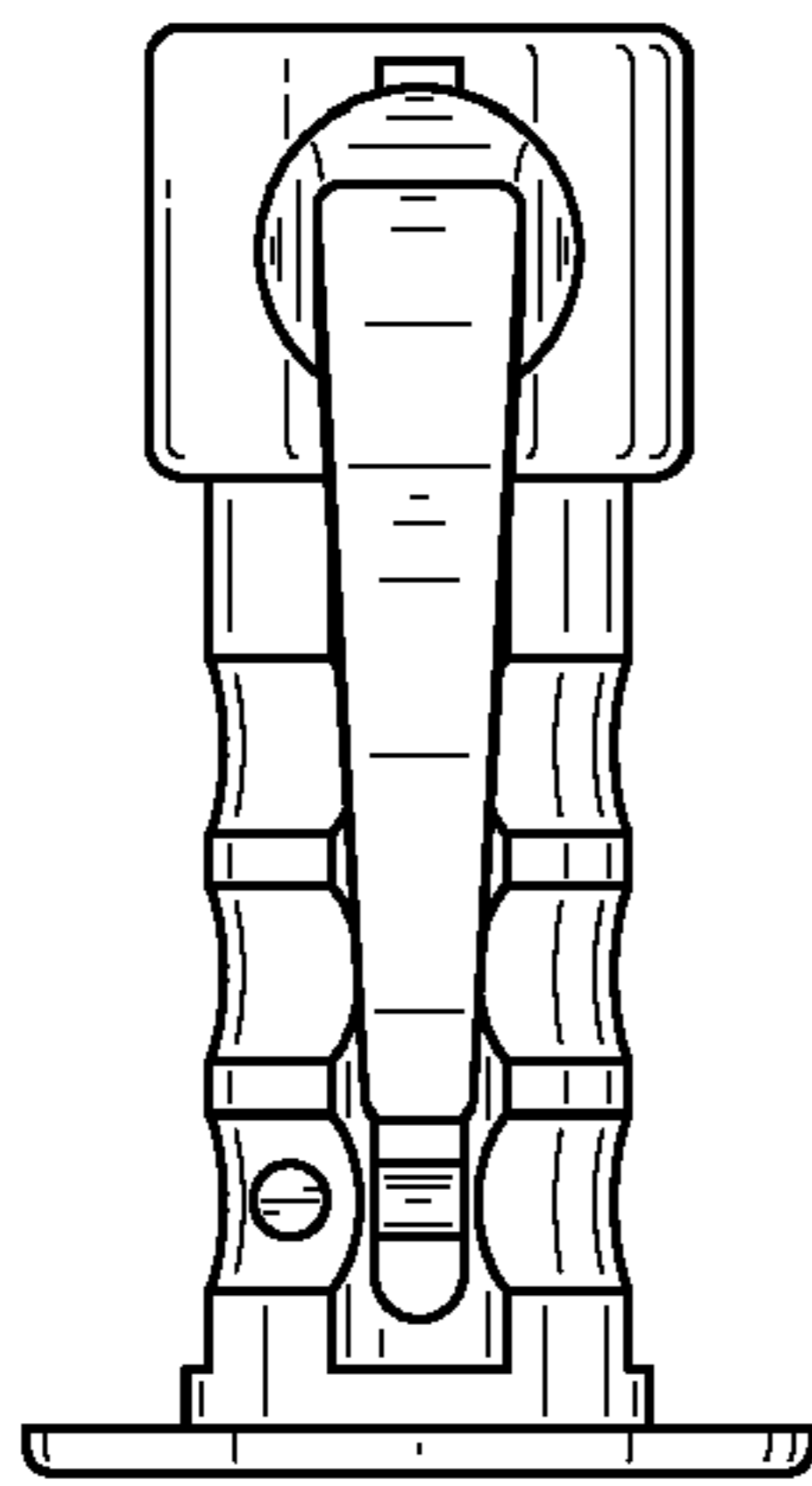


FIG. 2

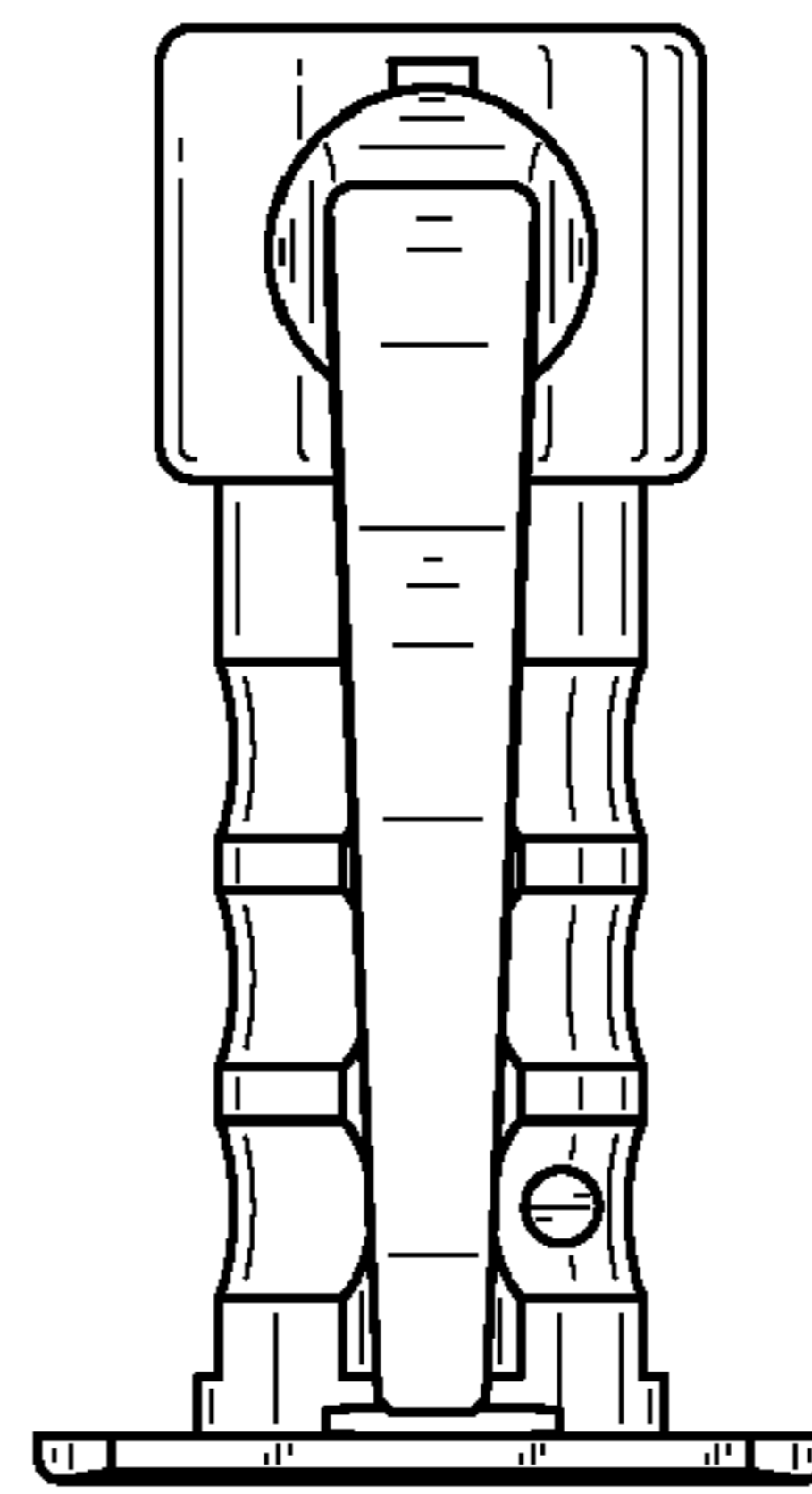


FIG. 3

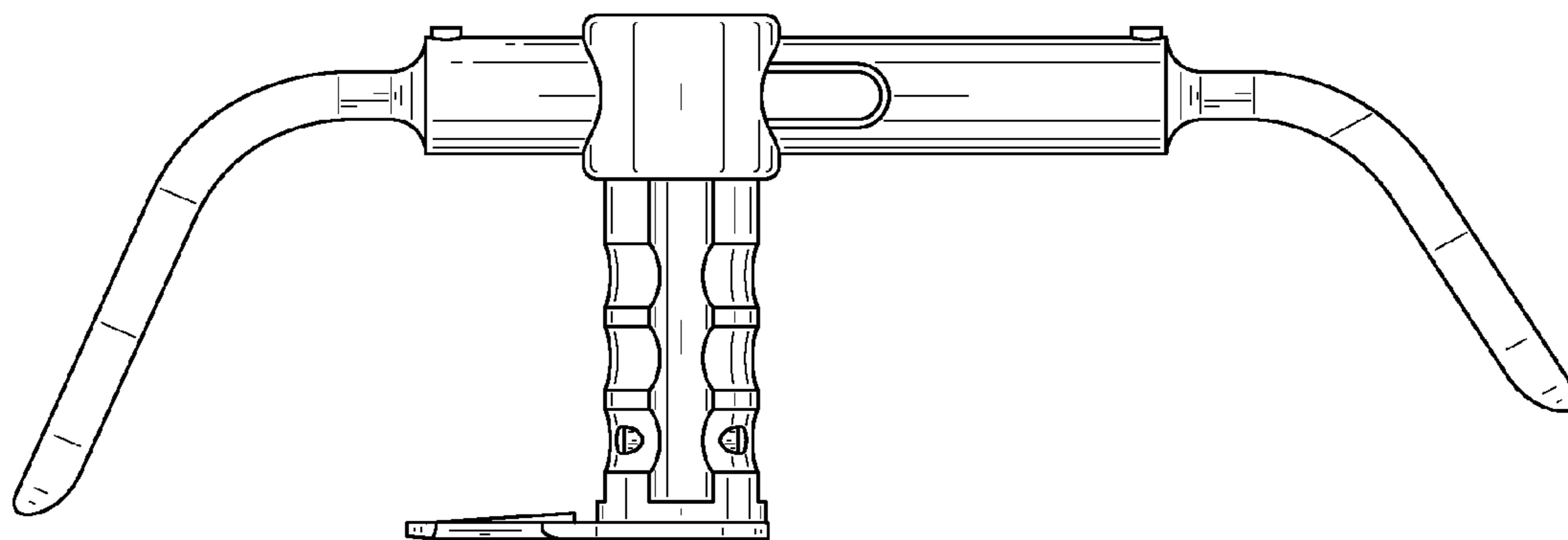


FIG. 4

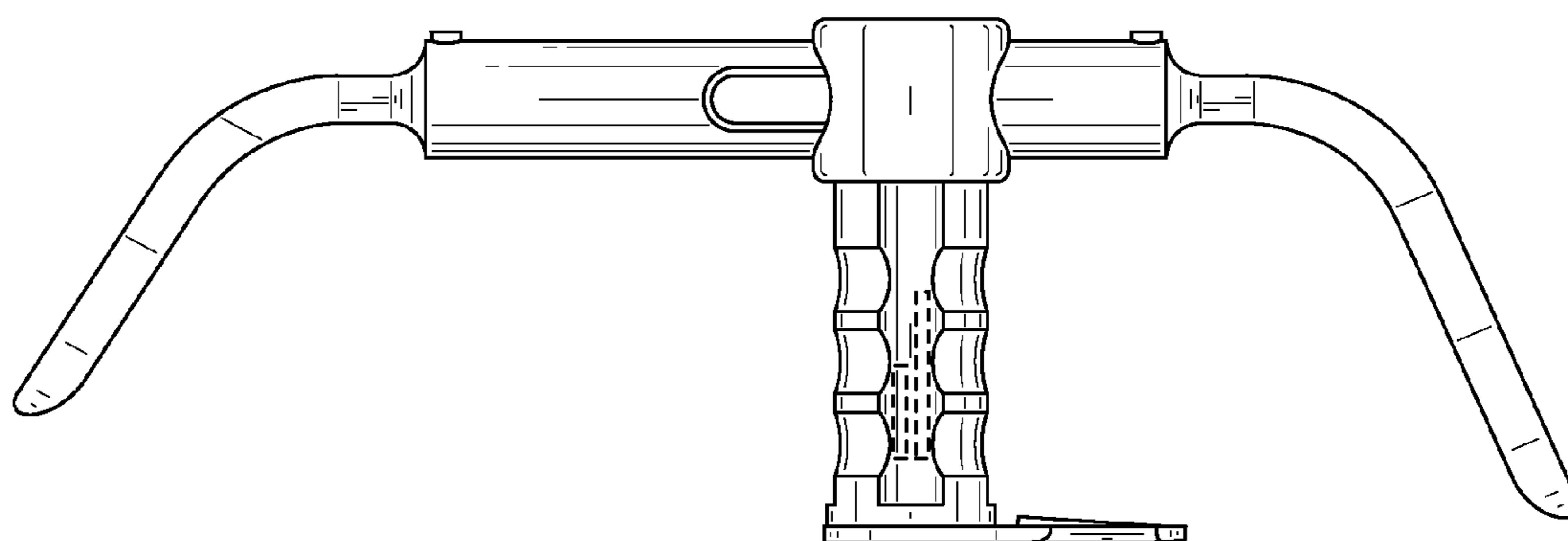


FIG. 5

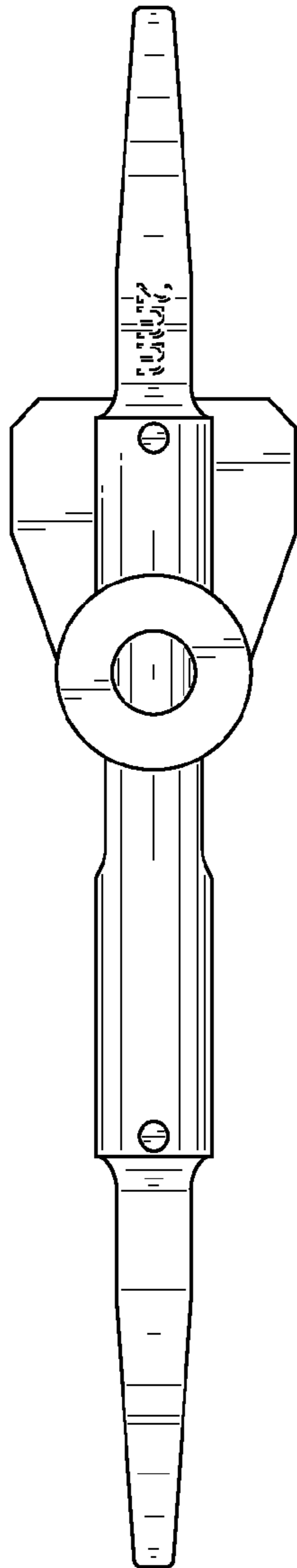


FIG. 6

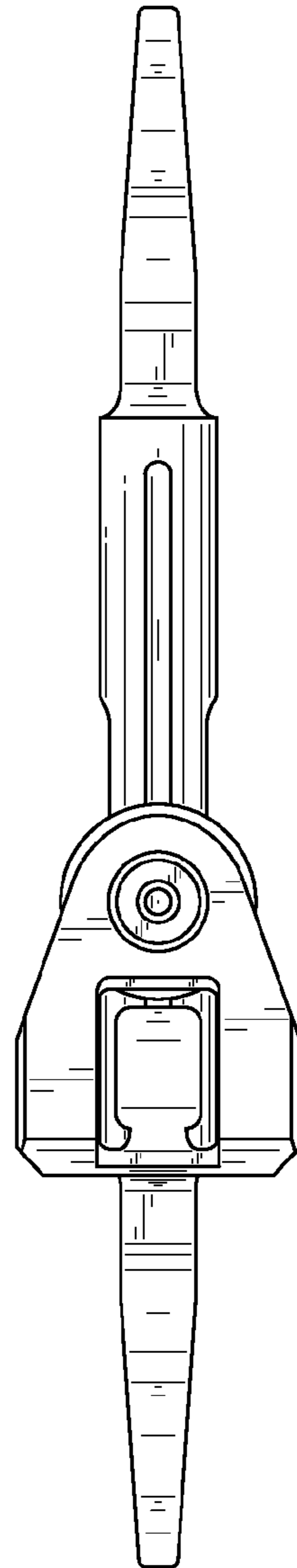


FIG. 7

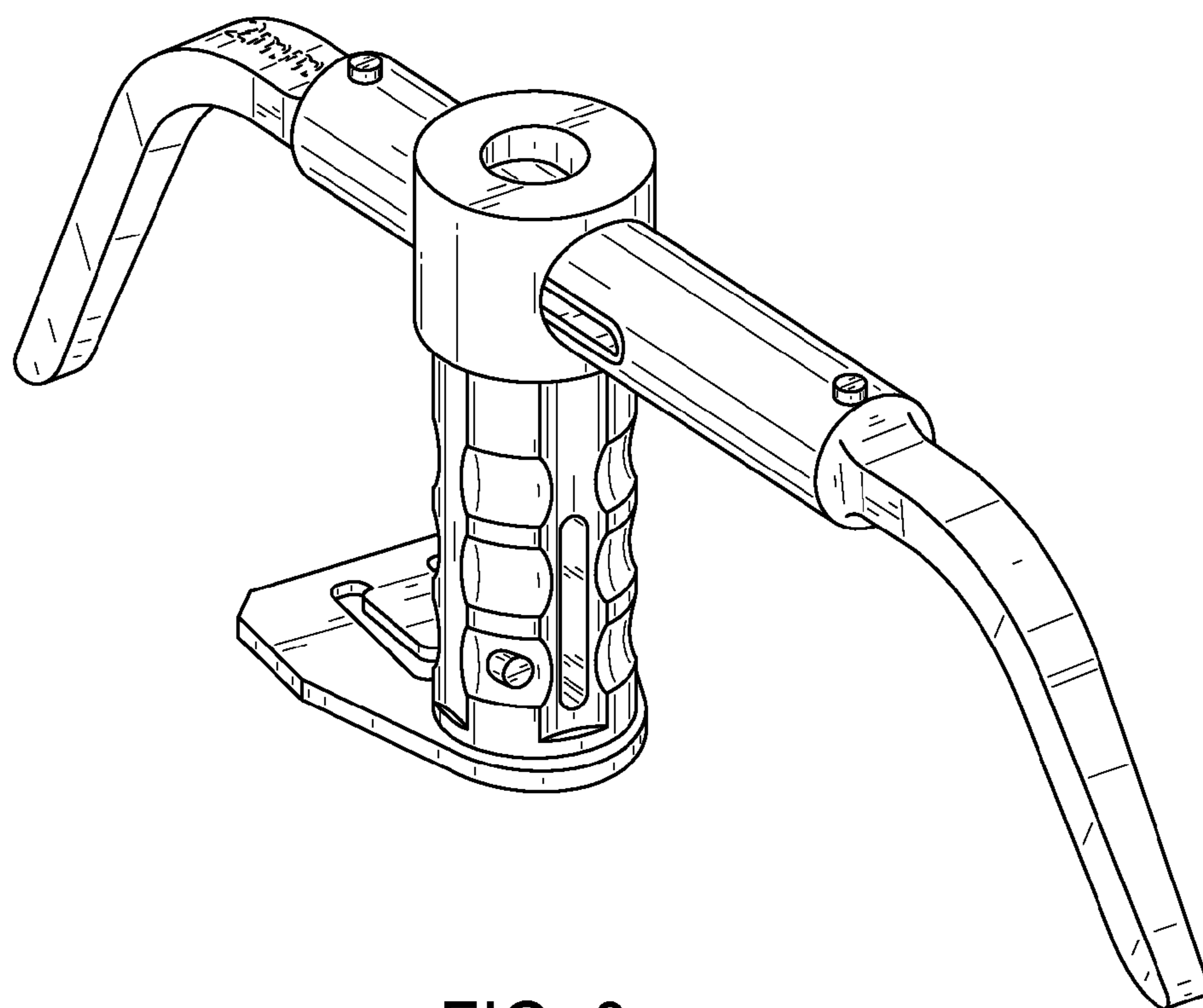


FIG. 8