

US00D649637S

(12) **United States Design Patent**
Penaloza et al.

(10) **Patent No.:** **US D649,637 S**

(45) **Date of Patent:** **** Nov. 29, 2011**

(54) **MOUTH PROP**

(75) Inventors: **Yisset Vanessa Penaloza**, Tampa, FL (US); **Vanessa Ortiz**, Coralville, IA (US); **Charissa Enid Powell**, Melbourne, FL (US); **Erin Gilkey**, Hermosa Beach, CA (US)

(73) Assignee: **University of South Florida**, Tampa, FL (US)

(**) Term: **14 Years**

(21) Appl. No.: **29/383,178**

(22) Filed: **Jan. 13, 2011**

(51) **LOC (9) Cl.** **24-02**

(52) **U.S. Cl.** **D24/135**

(58) **Field of Classification Search** D24/135, D24/136, 143, 152, 176, 178; 433/140; 600/238, 600/239

See application file for complete search history.

(56) **References Cited**

U.S. PATENT DOCUMENTS

350,809	A *	10/1886	Cole et al.	600/219
1,401,190	A *	12/1921	Risley	600/215
2,220,674	A *	11/1940	Bloomheart	600/238
2,614,325	A *	10/1952	Hartig	433/138
D190,787	S *	6/1961	Schneider	D24/143

3,854,482	A *	12/1974	Laugherty et al.	606/120
D267,586	S *	1/1983	Hatlen	D24/176
4,887,965	A *	12/1989	Fox	433/140
4,991,566	A *	2/1991	Shulman et al.	600/213
5,423,831	A *	6/1995	Nates	606/120
5,462,435	A *	10/1995	Young	433/140
D517,884	S *	3/2006	Ellingwood	D8/51
7,066,735	B1 *	6/2006	Gasporra	433/140

* cited by examiner

Primary Examiner — Bridget L Eland

(74) *Attorney, Agent, or Firm* — Jeremy Spier; Smith & Hopen, P.A.

(57) **CLAIM**

The ornamental design for a mouth prop, as substantially shown and described.

DESCRIPTION

FIG. 1 is an isometric view of a mouth prop showing our new design;

FIG. 2 is a first side view thereof;

FIG. 3 is a second side view thereof;

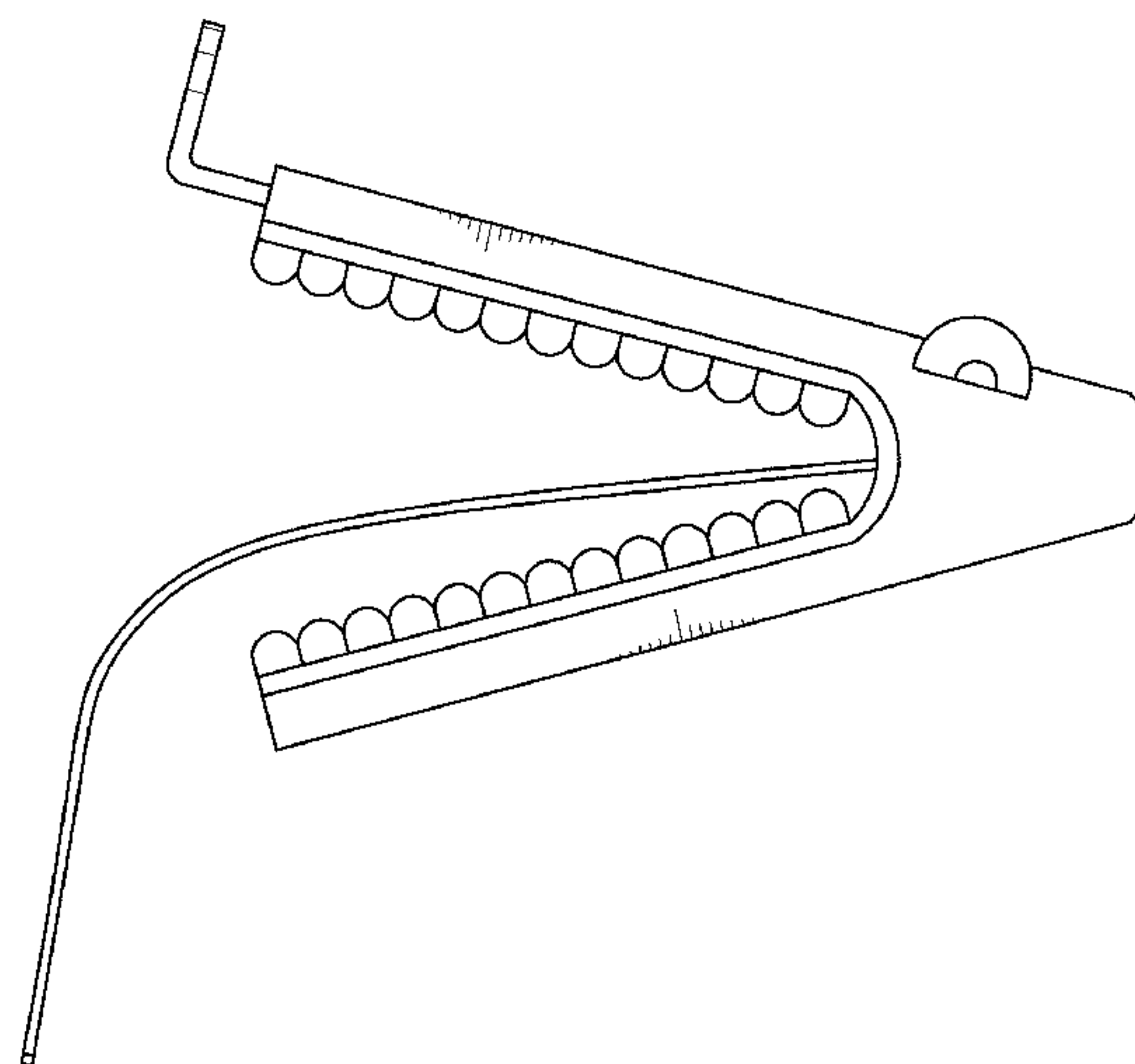
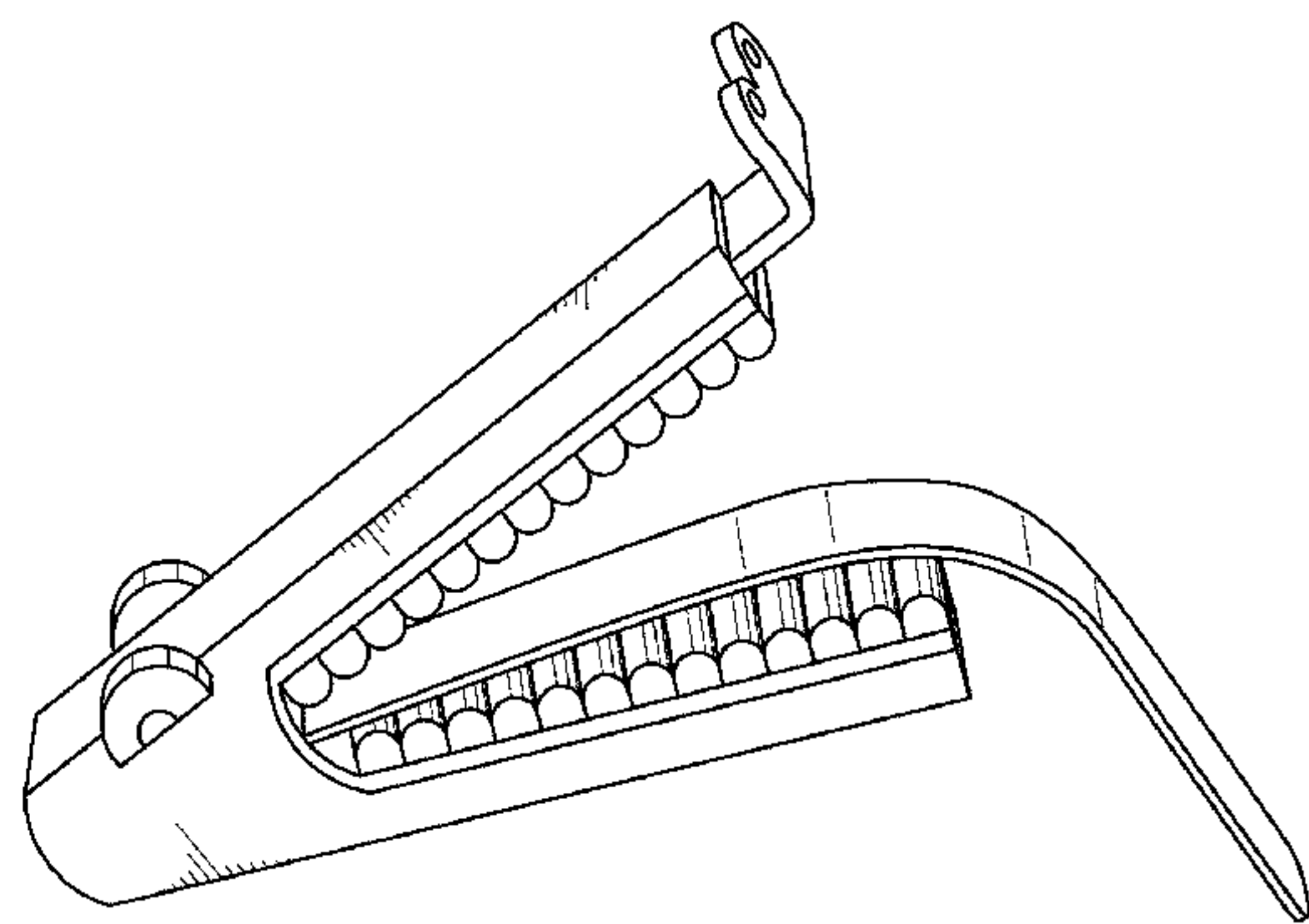
FIG. 4 is a top view thereof;

FIG. 5 is a bottom view thereof;

FIG. 6 is a front view thereof; and,

FIG. 7 is a rear view thereof.

1 Claim, 4 Drawing Sheets



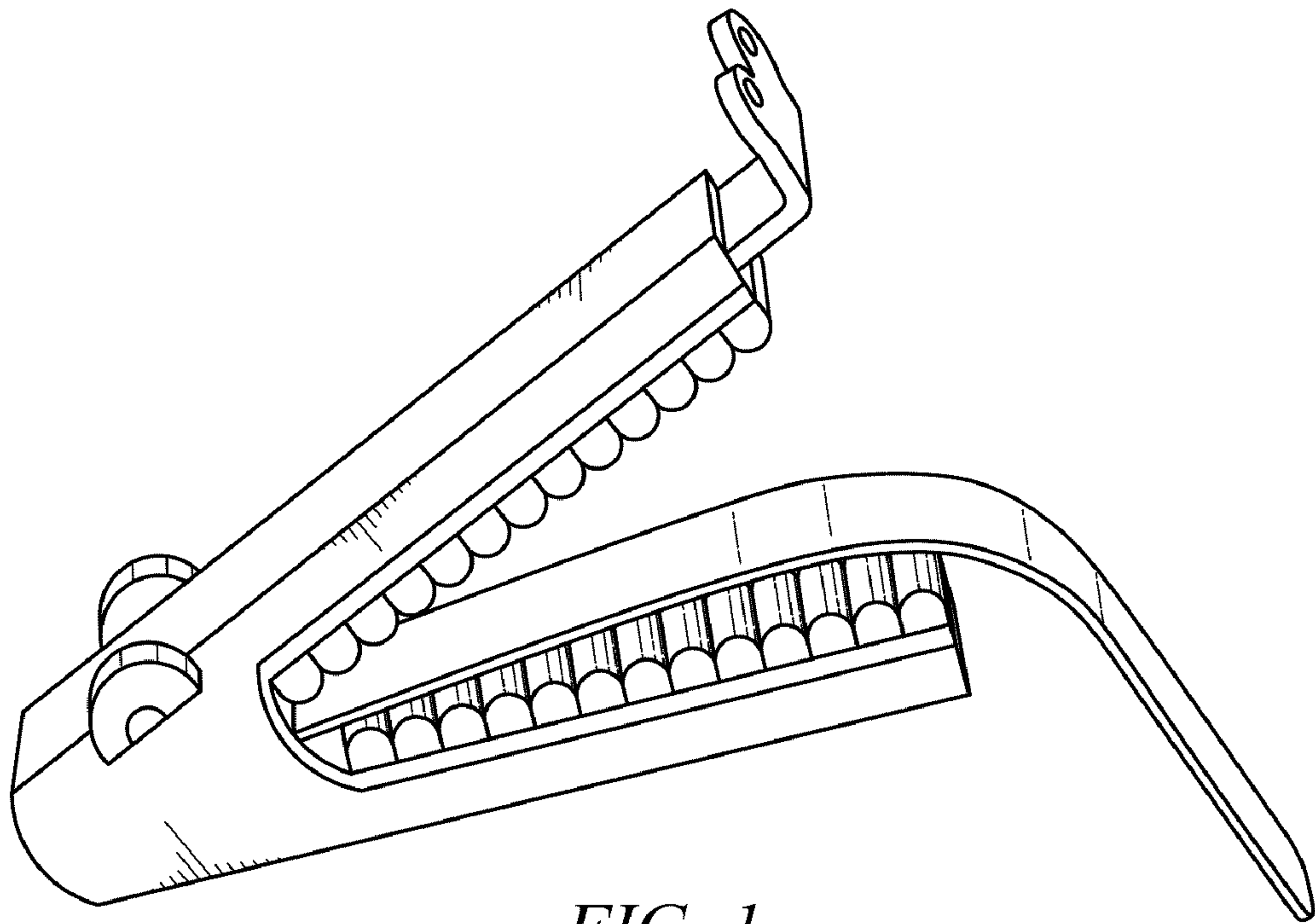


FIG. 1

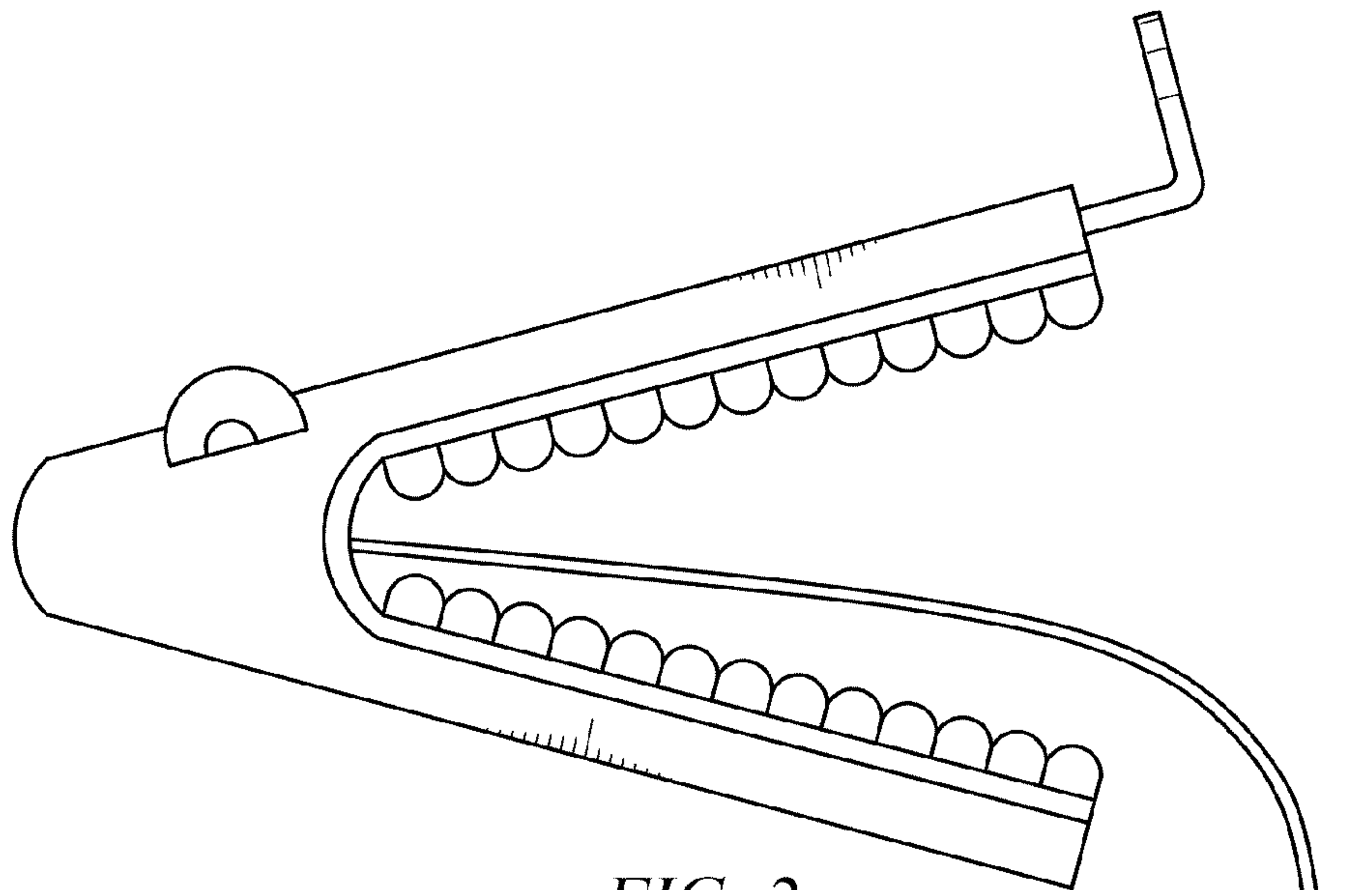


FIG. 2

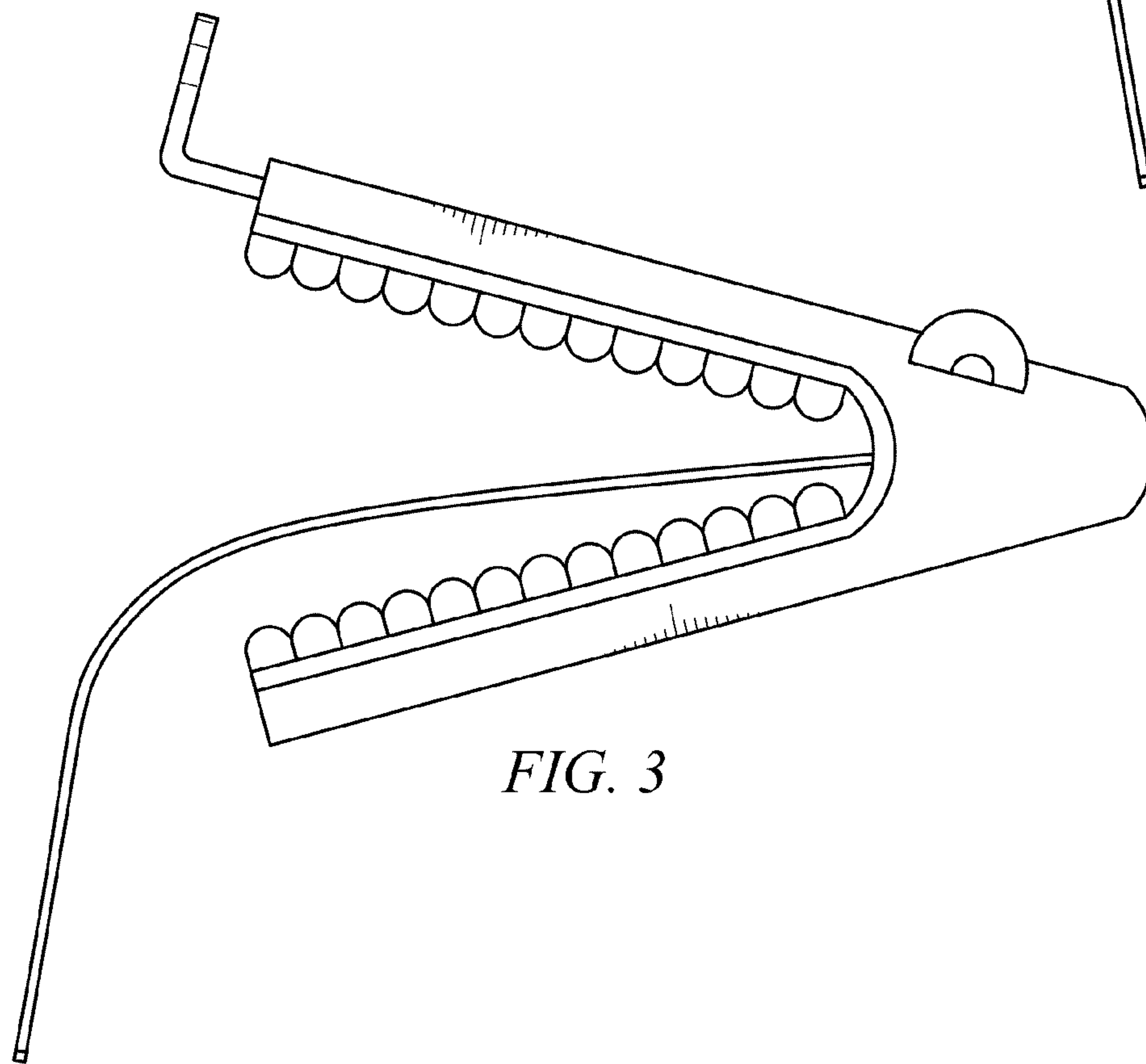


FIG. 3

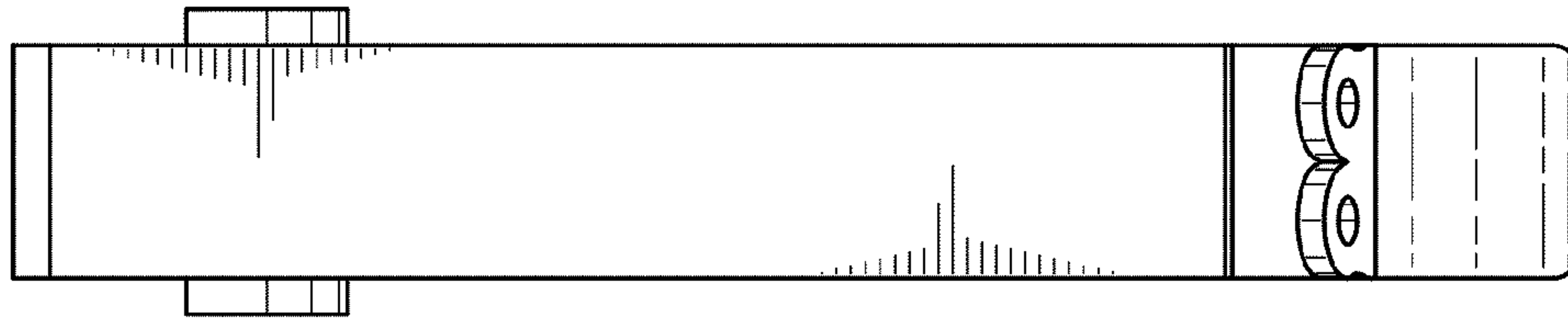


FIG. 4

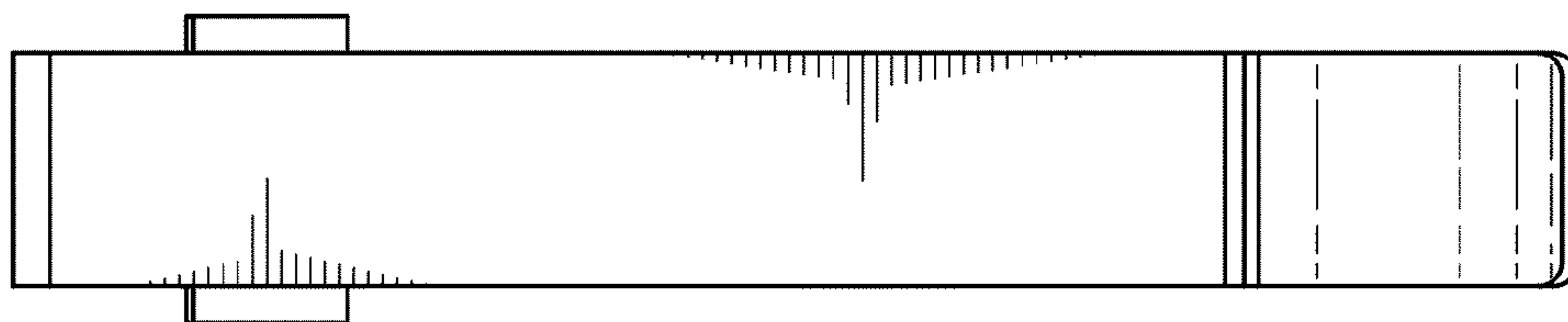


FIG. 5

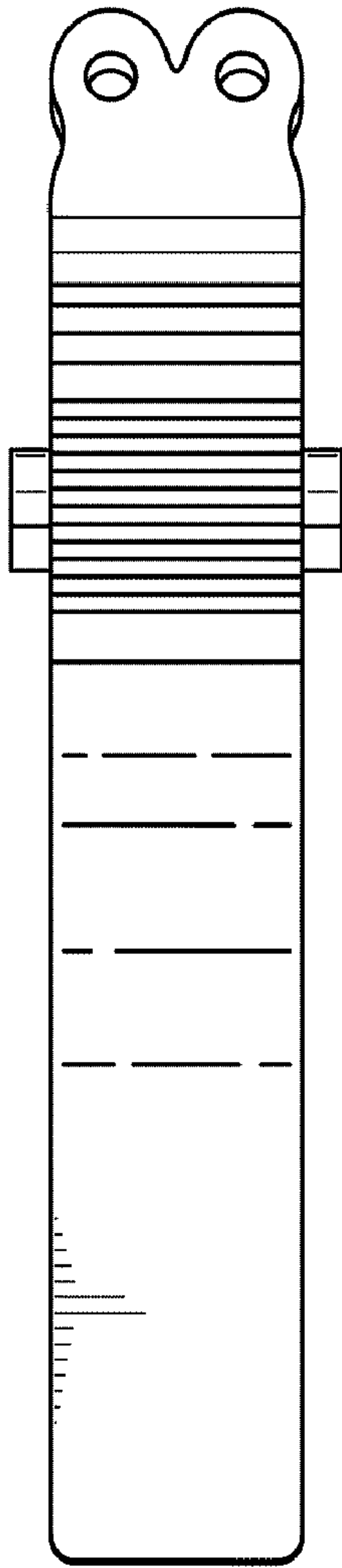


FIG. 6

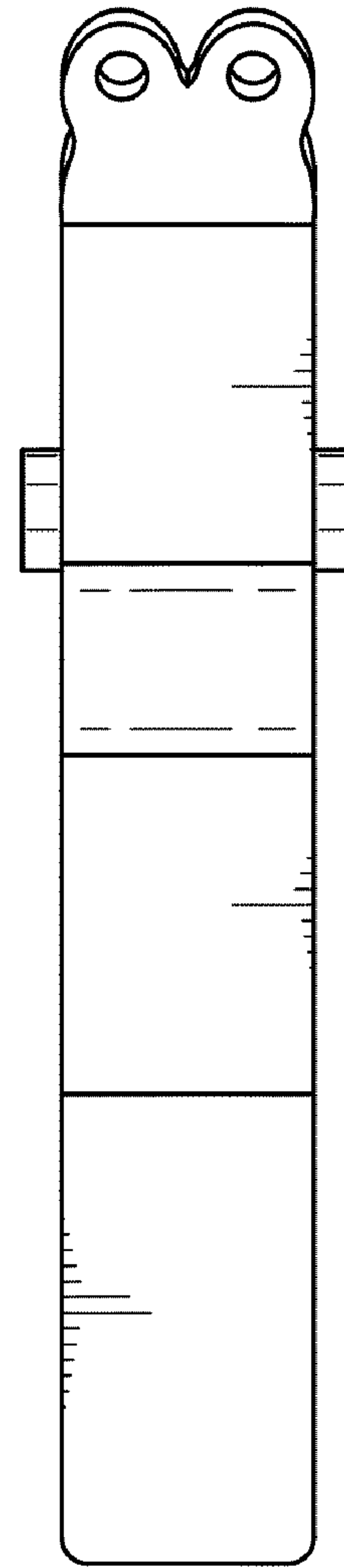


FIG. 7