



US00D649636S

(12) **United States Design Patent**  
**Bean et al.**

(10) **Patent No.:** **US D649,636 S**  
(45) **Date of Patent:** **\*\* Nov. 29, 2011**

(54) **HANDHELD LASER DEVICE**

(75) Inventors: **David M. Bean**, Middleton, MA (US);  
**Christopher R. Rafferty**, Cambridge,  
MA (US); **John J. Callahan**,  
Wilmington, MA (US)

(73) Assignee: **SemiNex Corporation**, Peabody, MA  
(US)

(\*\*) Term: **14 Years**

(21) Appl. No.: **29/383,736**

(22) Filed: **Jan. 21, 2011**

(51) **LOC (9) Cl.** ..... **24-02**

(52) **U.S. Cl.** ..... **D24/133**

(58) **Field of Classification Search** ..... D24/133,  
D24/146, 147, 214; D28/56-59, 52-55,  
D28/60-63, 9; 606/9, 131-133

See application file for complete search history.

(56) **References Cited**

U.S. PATENT DOCUMENTS

|           |   |   |         |                  |       |         |
|-----------|---|---|---------|------------------|-------|---------|
| D191,564  | S | * | 10/1961 | Mullin et al.    | ..... | D24/151 |
| 3,105,876 | A | * | 10/1963 | Mullin et al.    | ..... | 600/559 |
| D277,233  | S | * | 1/1985  | Brun             | ..... | D24/144 |
| D278,554  | S | * | 4/1985  | Bain et al.      | ..... | D24/137 |
| D302,097  | S | * | 7/1989  | Spaulding et al. | ..... | D8/30   |
| D436,229  | S | * | 1/2001  | Eguchi et al.    | ..... | D28/53  |
| D533,761  | S | * | 12/2006 | Lin              | ..... | D8/107  |
| D538,430  | S | * | 3/2007  | Ohta             | ..... | D24/146 |
| D544,331  | S | * | 6/2007  | Blehm            | ..... | D8/107  |

|              |    |   |         |                 |       |         |
|--------------|----|---|---------|-----------------|-------|---------|
| D568,473     | S  | * | 5/2008  | Ashiwa et al.   | ..... | D24/146 |
| D604,855     | S  | * | 11/2009 | Shearlaw et al. | ..... | D24/186 |
| D609,361     | S  | * | 2/2010  | McGarry et al.  | ..... | D24/209 |
| 2004/0243114 | A1 | * | 12/2004 | Yamazaki et al. | ..... | 606/9   |

OTHER PUBLICATIONS

Picture of Laser for Hair Removal-At Home Laser Hair Removal,  
(<http://www.triabeauty.com/home-laser-hair-removal>), TRIA  
Beauty, Inc., 2007 (approx.).  
Picture of TRIA Hair Removal Laser, 2005 (approx.).

\* cited by examiner

Primary Examiner — Bridget L Eland

(74) Attorney, Agent, or Firm — Houston Eliseeva LLP

(57) **CLAIM**

The ornamental design for a handheld laser device, as shown  
and described.

**DESCRIPTION**

FIG. 1 is a perspective front view of a handheld laser device  
showing our new design;

FIG. 2 is a perspective rear view thereof;

FIG. 3 is a right side plan view thereof;

FIG. 4 is a left side plan view thereof;

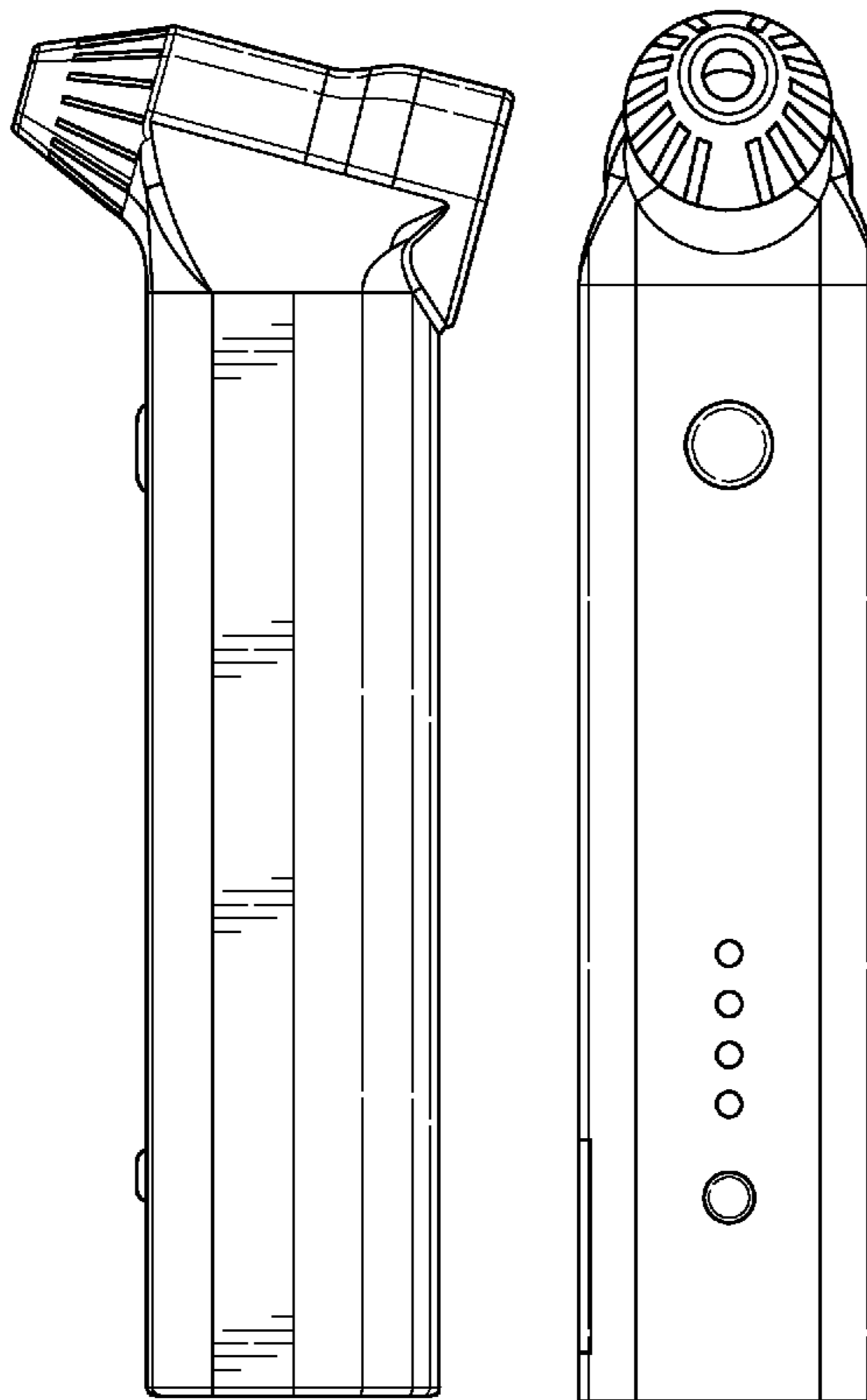
FIG. 5 is a front plan view thereof;

FIG. 6 is a rear plan view thereof;

FIG. 7 is a top plan view thereof; and,

FIG. 8 is a bottom plan view thereof.

**1 Claim, 4 Drawing Sheets**



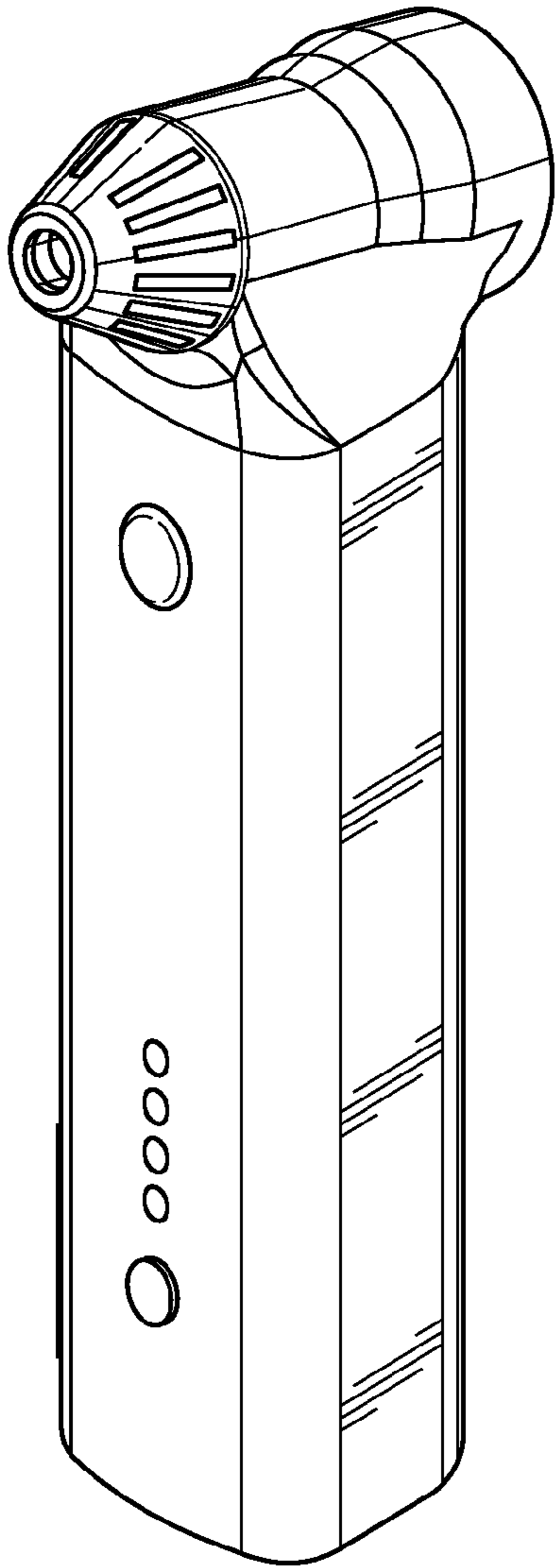


FIG. 1

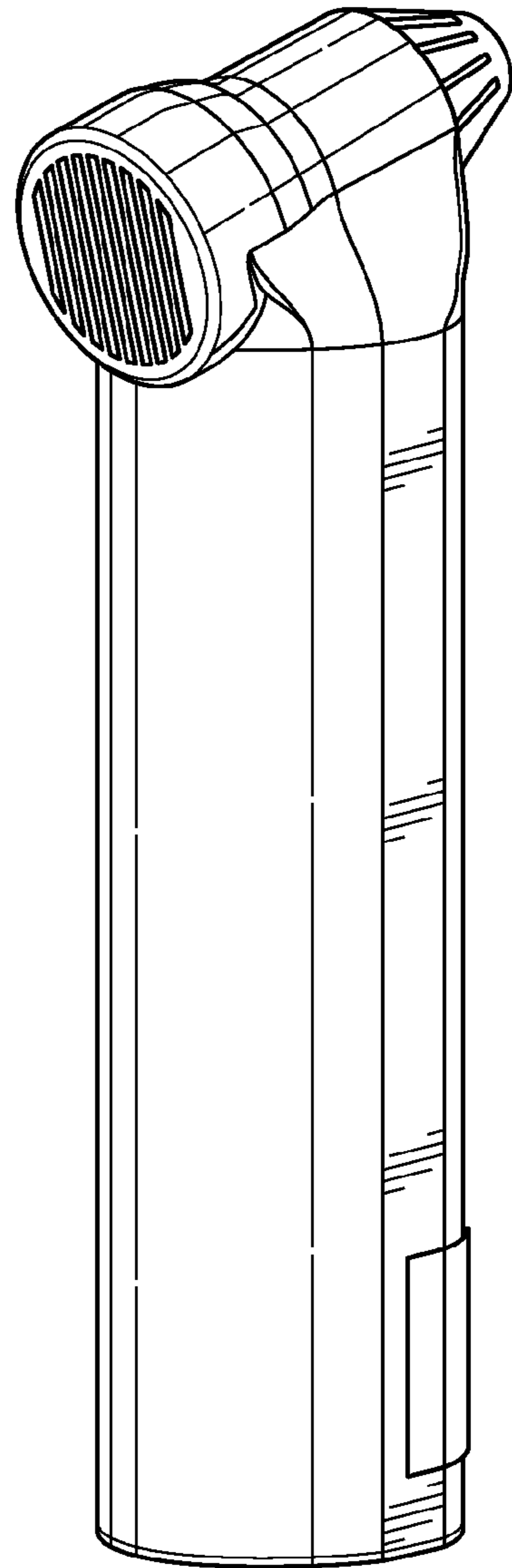


FIG. 2

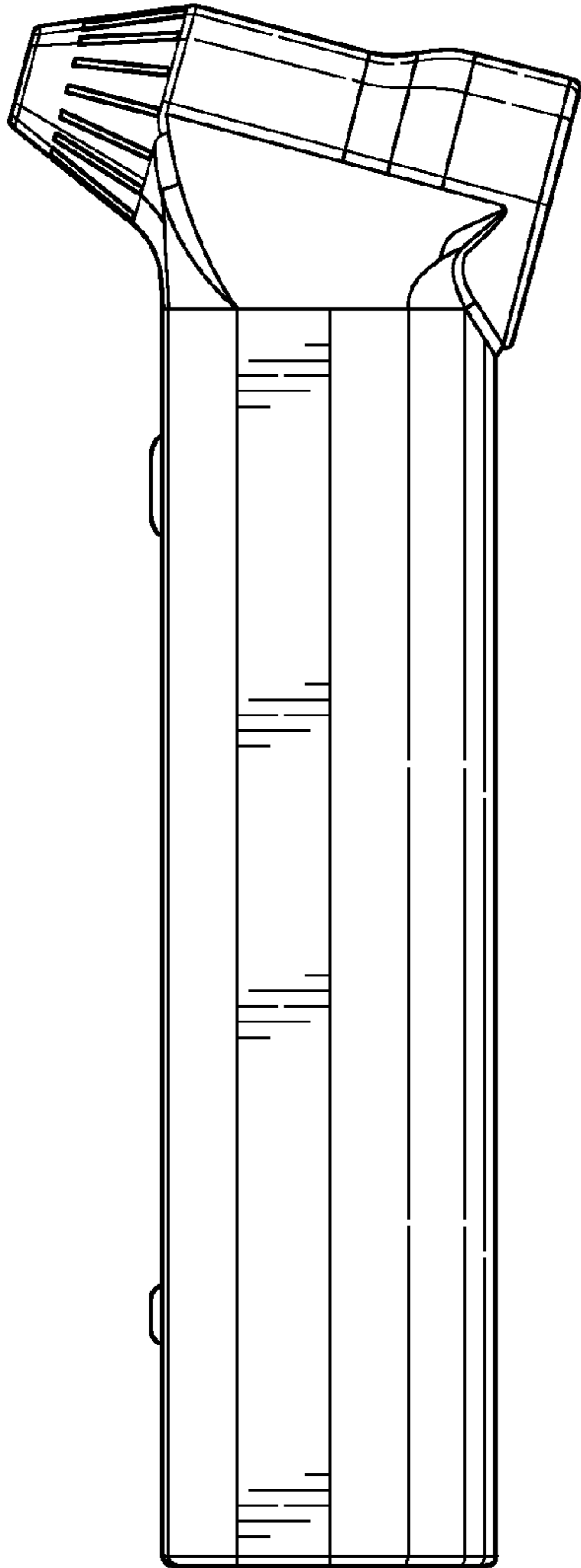


FIG. 3

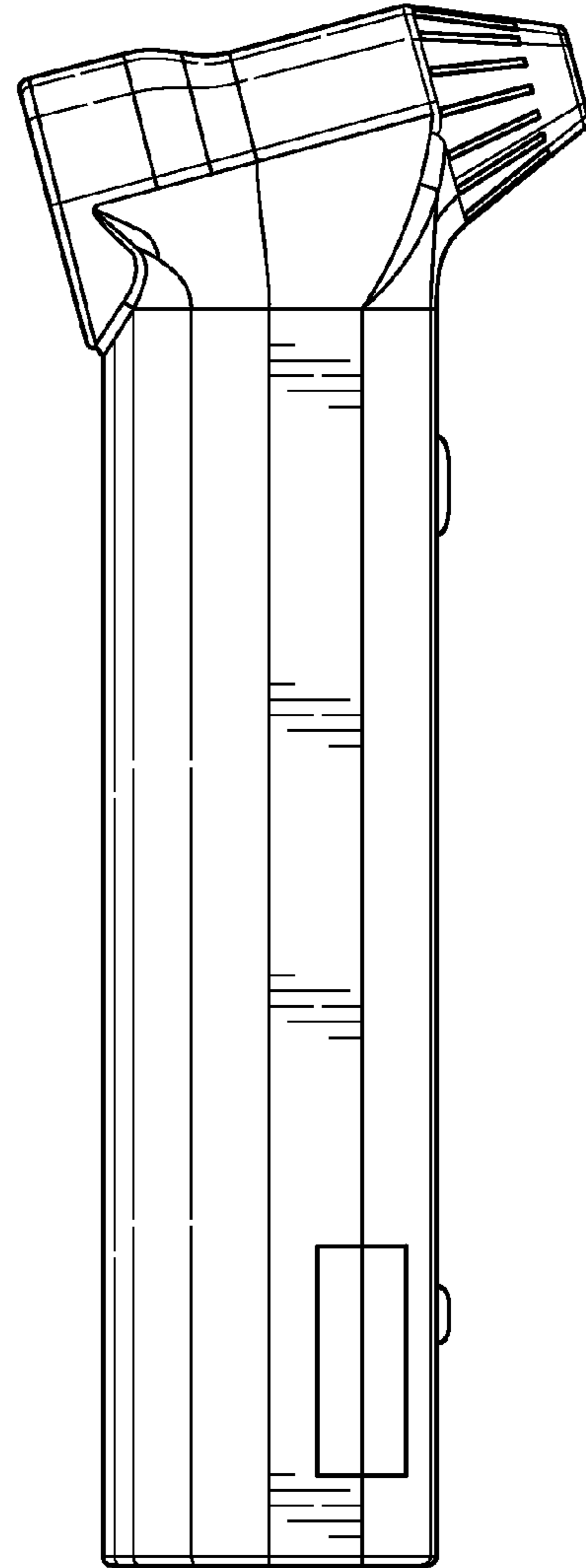


FIG. 4

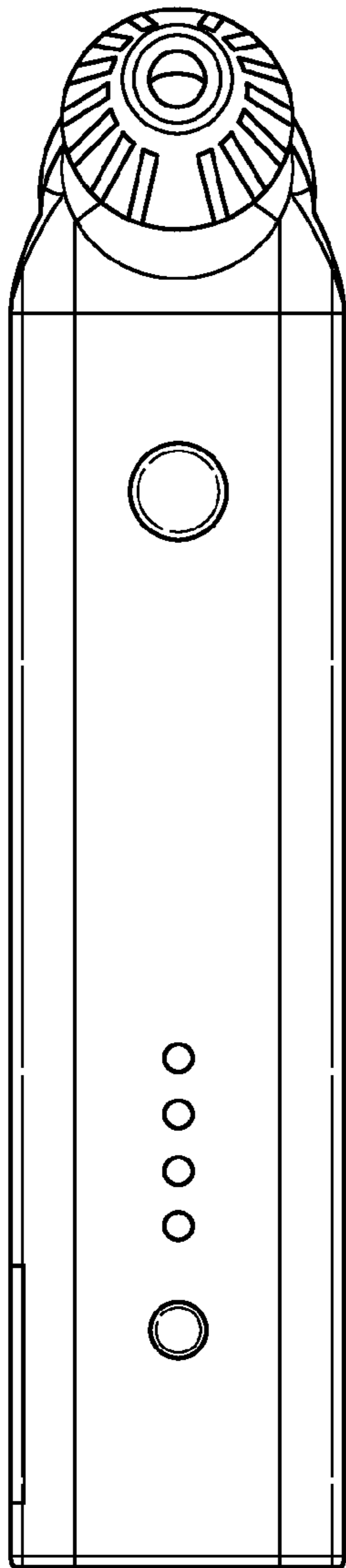


FIG. 5

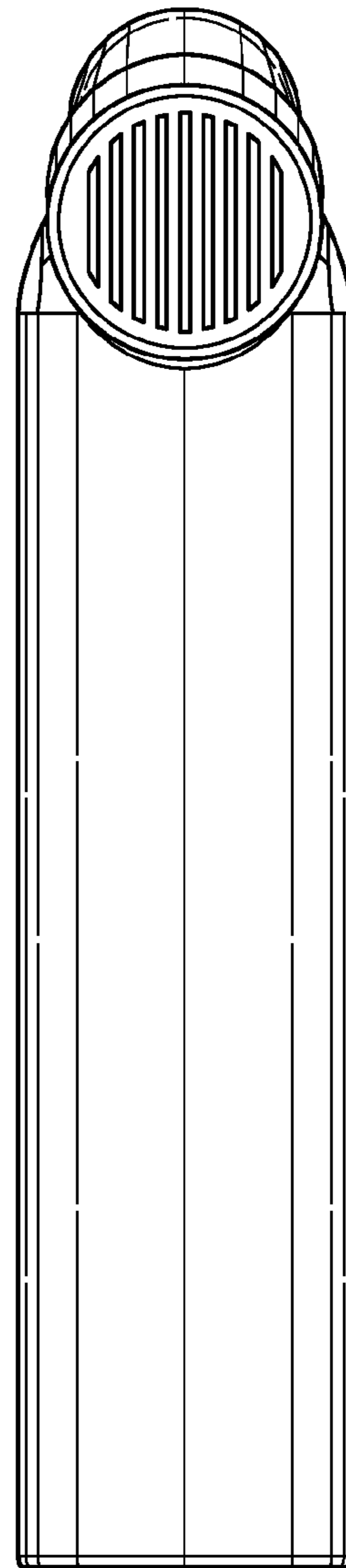


FIG. 6

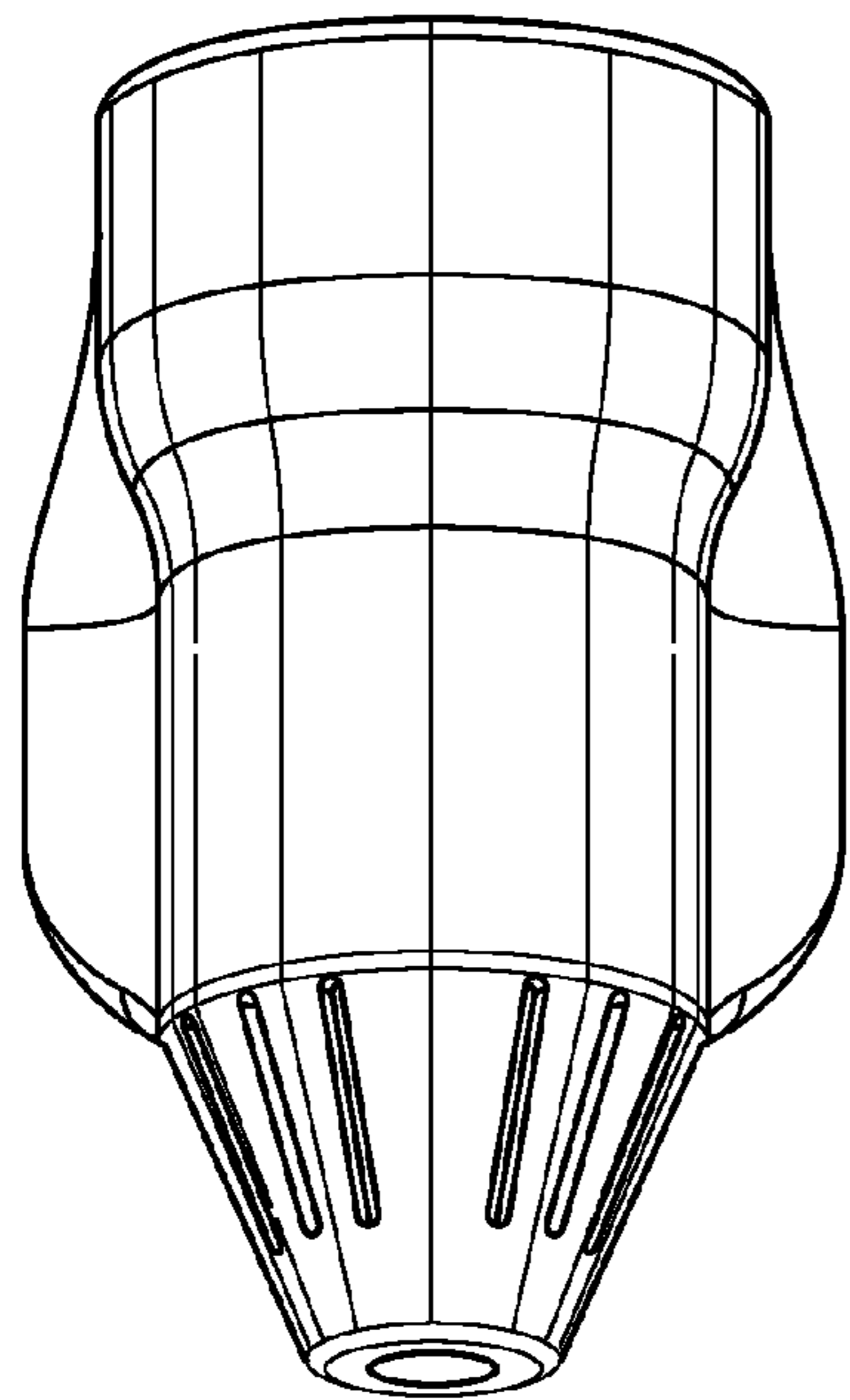


FIG. 7

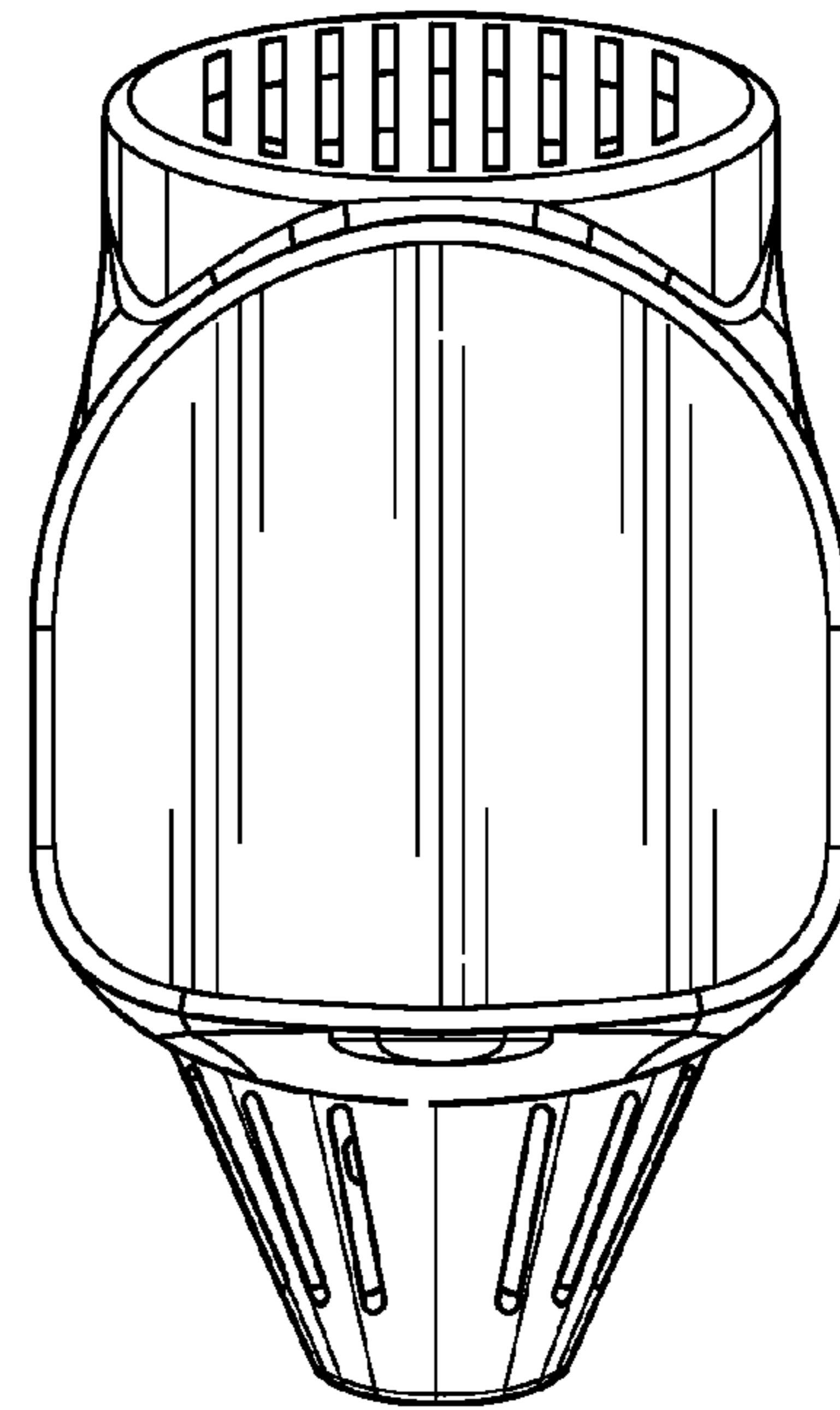


FIG. 8