



US00D649635S

(12) **United States Design Patent**
Cronin et al.

(10) **Patent No.:** **US D649,635 S**

(45) **Date of Patent:** **** Nov. 29, 2011**

(54) **MODULAR HANDLE FOR SURGICAL INSTRUMENTS**

D591,860 S * 5/2009 Aparici et al. D24/133
D600,346 S * 9/2009 Petersen D24/140
D603,677 S * 11/2009 Hi D8/83

(75) Inventors: **Shaun R. Cronin**, Fort Wayne, IN (US);
Jeff Blaylock, Fort Wayne, IN (US)

* cited by examiner

(73) Assignee: **Zimmer, Inc.**, Warsaw, IN (US)

Primary Examiner — Bridget L Eland

(74) *Attorney, Agent, or Firm* — Baker & Daniels LLP

(**) Term: **14 Years**

(57) **CLAIM**

The ornamental design for a modular handle for surgical instruments, as shown and described.

(21) Appl. No.: **29/363,249**

DESCRIPTION

(22) Filed: **Jun. 7, 2010**

(51) **LOC (9) Cl.** **24-02**

(52) **U.S. Cl.** **D24/133**

(58) **Field of Classification Search** D24/133,
D24/140, 143, 144, 145, 146, 147, 155, 171;
606/1, 53, 86 R, 87, 88, 89, 99, 105, 205,
606/206, 211, 916, 237

See application file for complete search history.

FIG. 1 is a perspective view of a modular handle for surgical instruments shown in an environment illustrating our new design;

FIG. 2 is a front end elevation view of the modular handle for surgical instruments shown removed from its environment in order to show aspects of the design that are not apparent in the perspective view;

FIG. 3 is a rear end elevation view thereof;

FIG. 4 is a right side elevation view thereof;

FIG. 5 is a left side elevation view thereof;

FIG. 6 is a top plan view thereof; and,

FIG. 7 is a bottom plan view thereof.

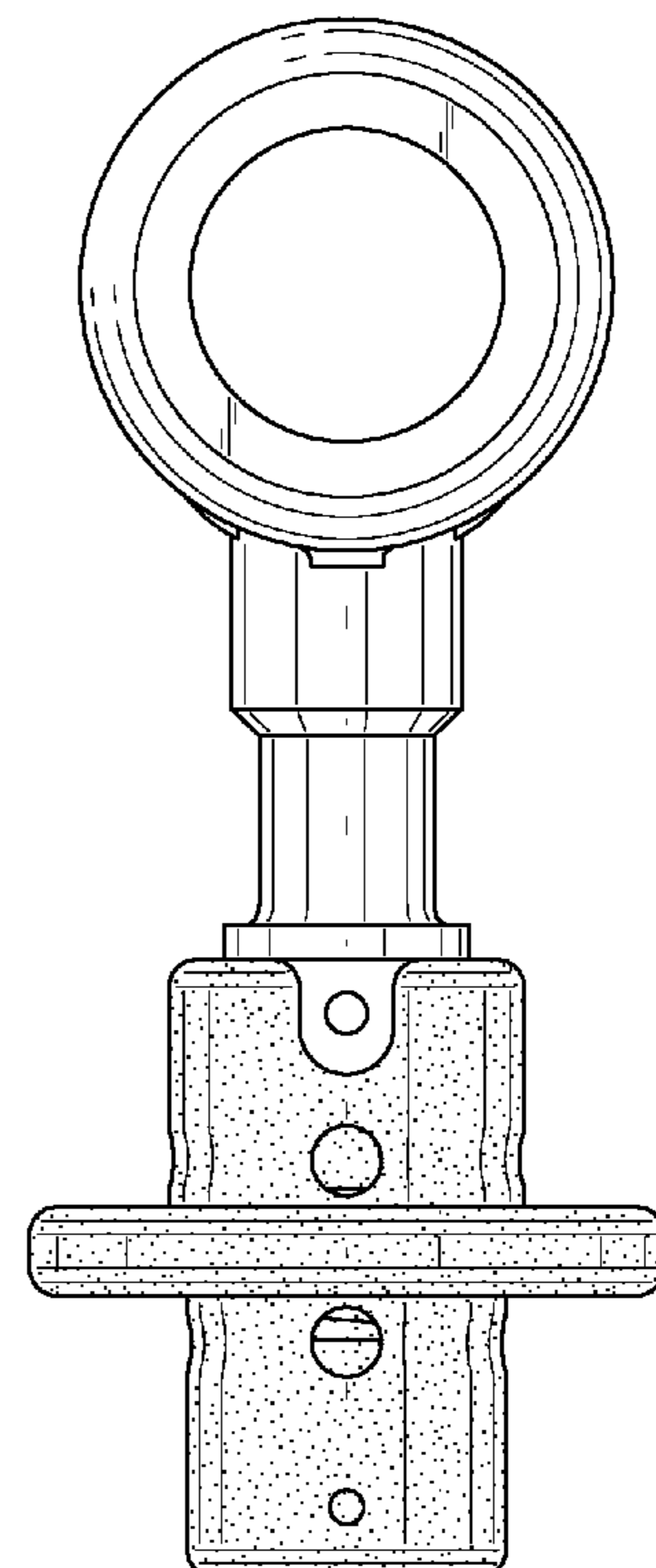
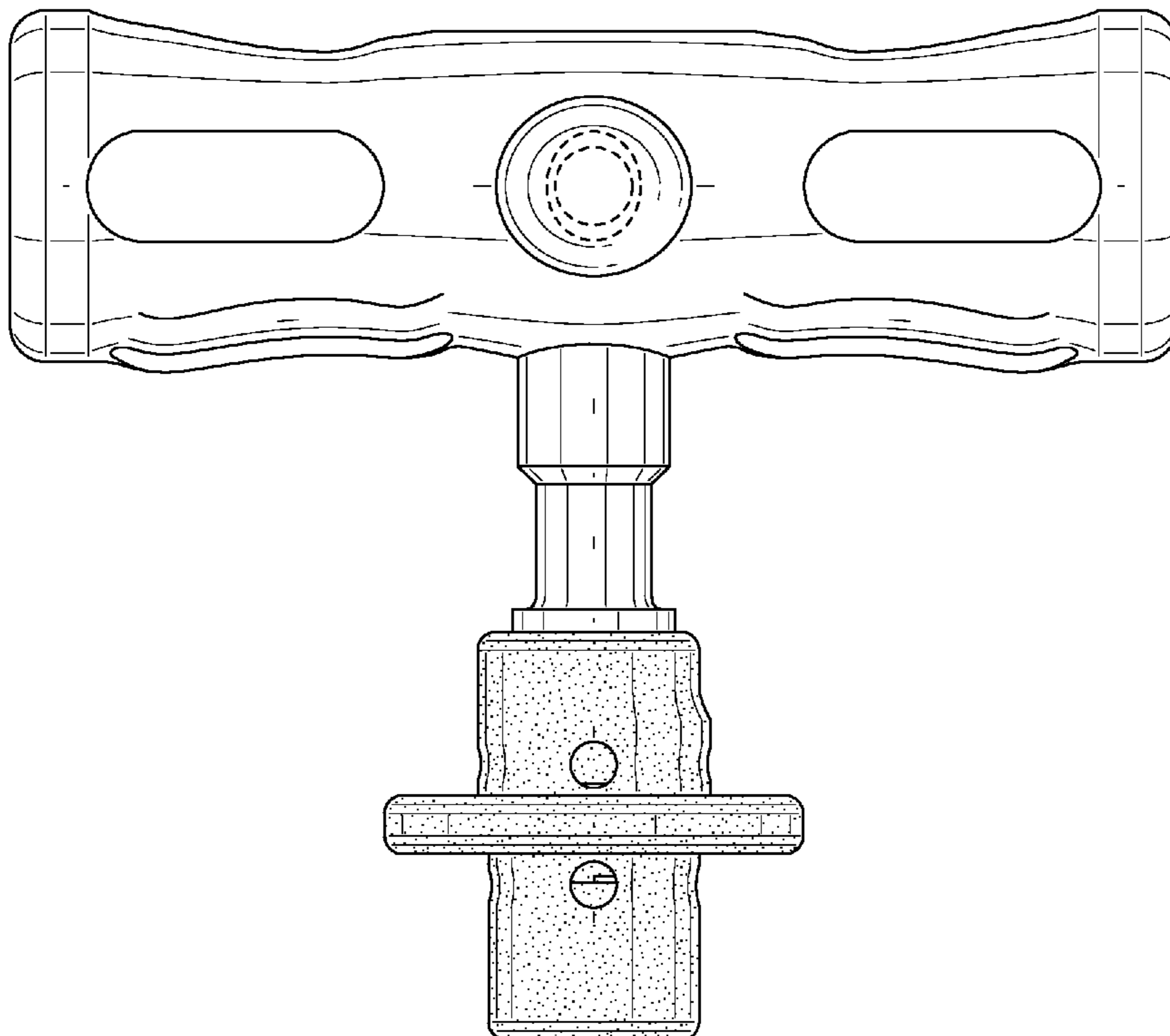
The broken lines that are immediately adjacent the shaded areas represent unclaimed boundaries while all other broken lines are directed to environment and are for illustrative purposes only; the broken lines form no part of the claimed design.

(56) **References Cited**

U.S. PATENT DOCUMENTS

3,025,994	A *	3/1962	Kaplan	220/274
4,474,177	A *	10/1984	Whiteside	606/80
4,599,779	A *	7/1986	Thibault	29/283
4,865,609	A *	9/1989	Roche	623/23.11
5,324,292	A *	6/1994	Meyers	606/916
D454,045	S *	3/2002	Rinner et al.	D8/107
6,996,886	B1 *	2/2006	Rinner	29/434
7,344,540	B2 *	3/2008	Smucker et al.	606/87
D580,730	S *	11/2008	Gao	D8/107

1 Claim, 5 Drawing Sheets



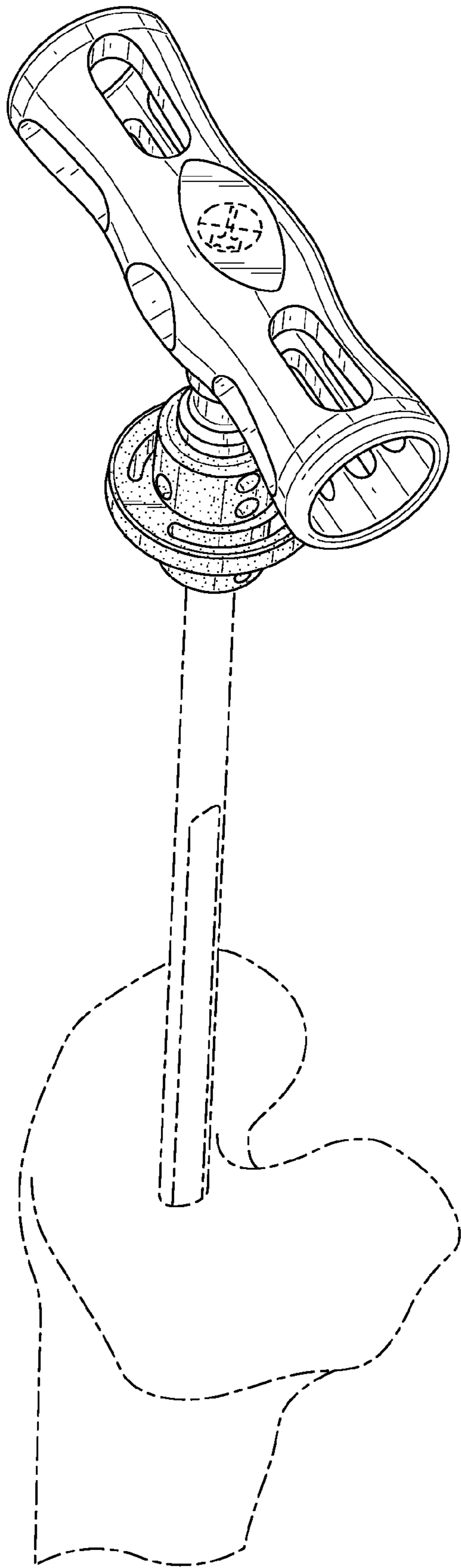


FIG. 1

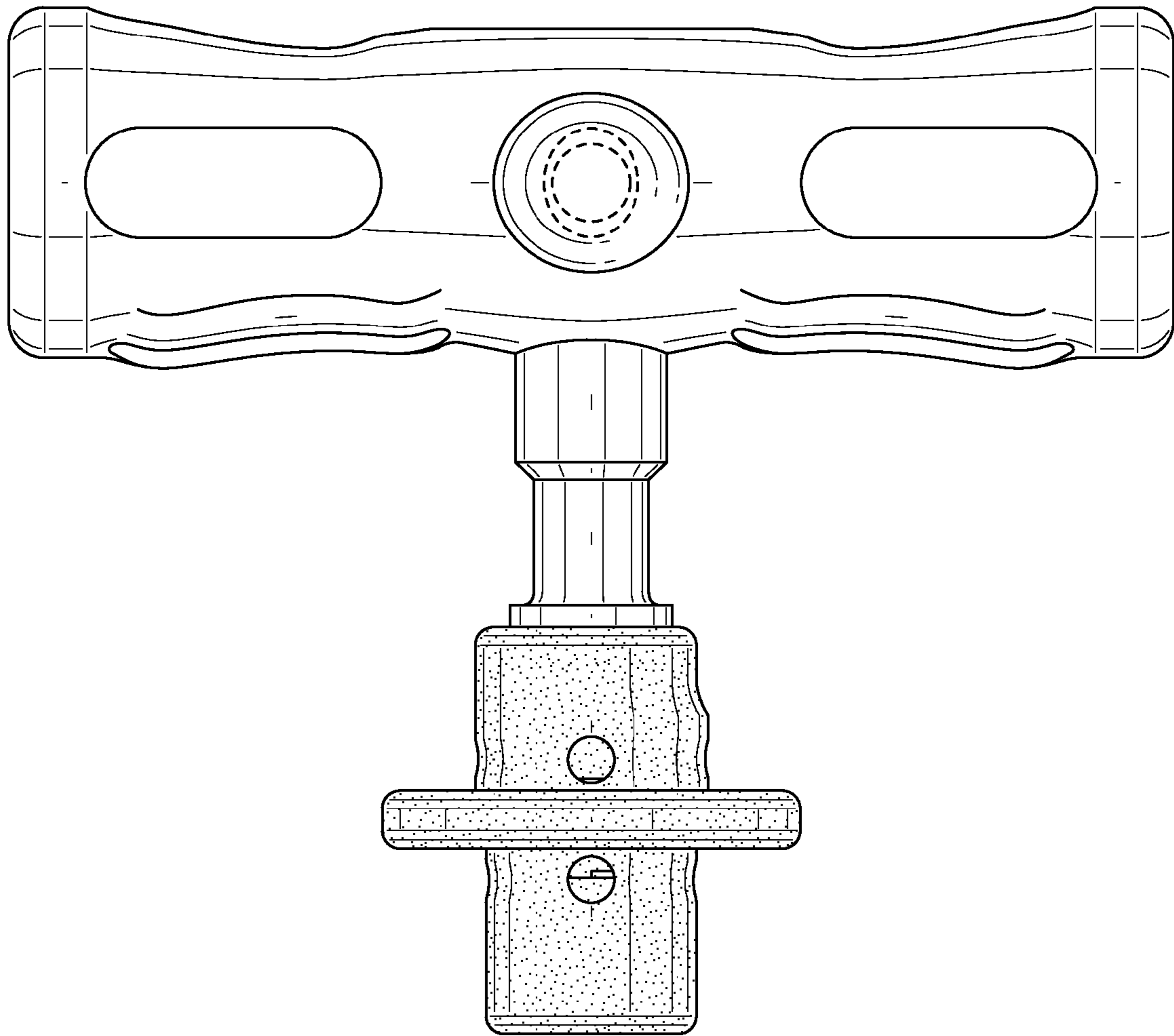


FIG. 2

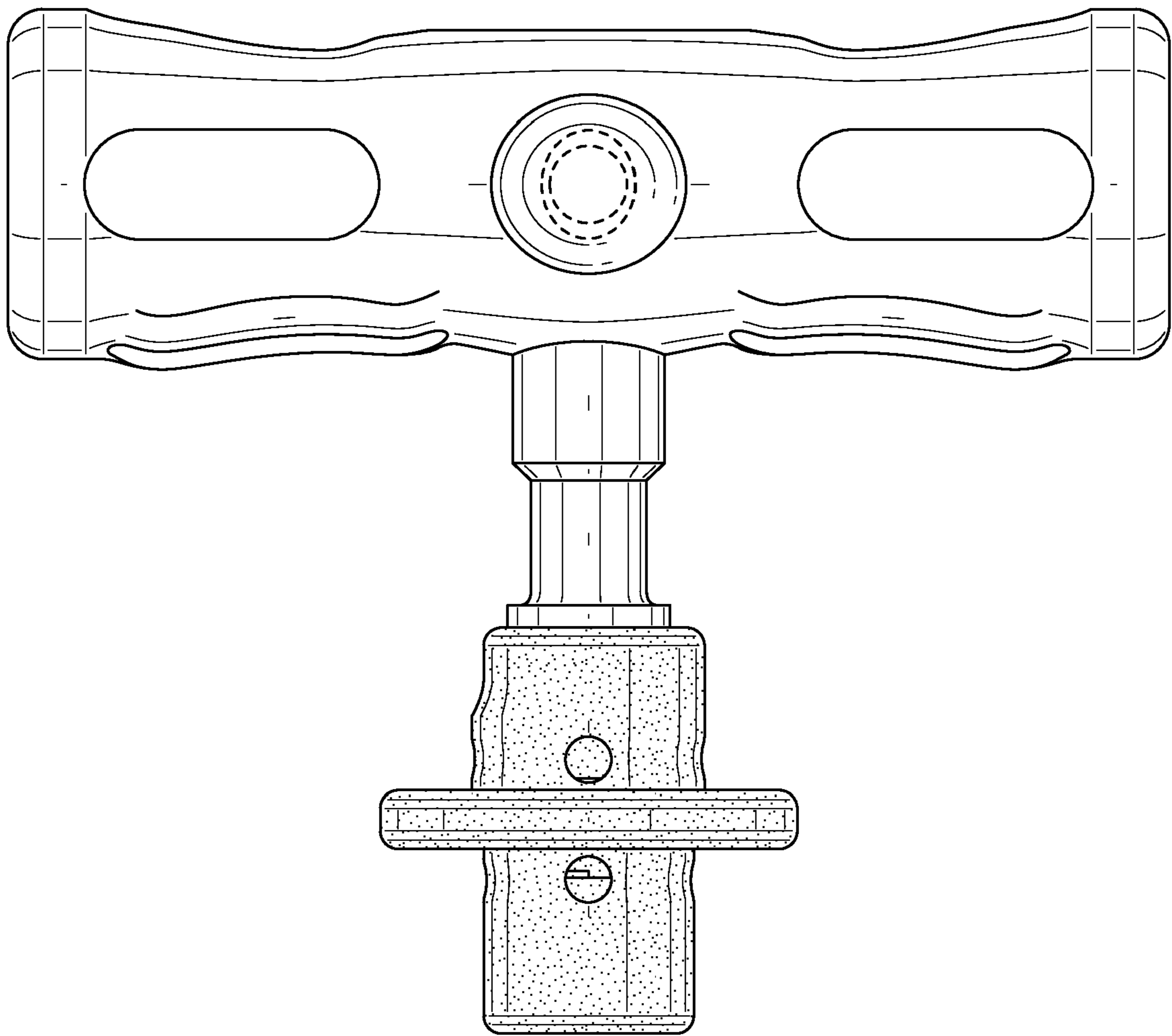


FIG. 3

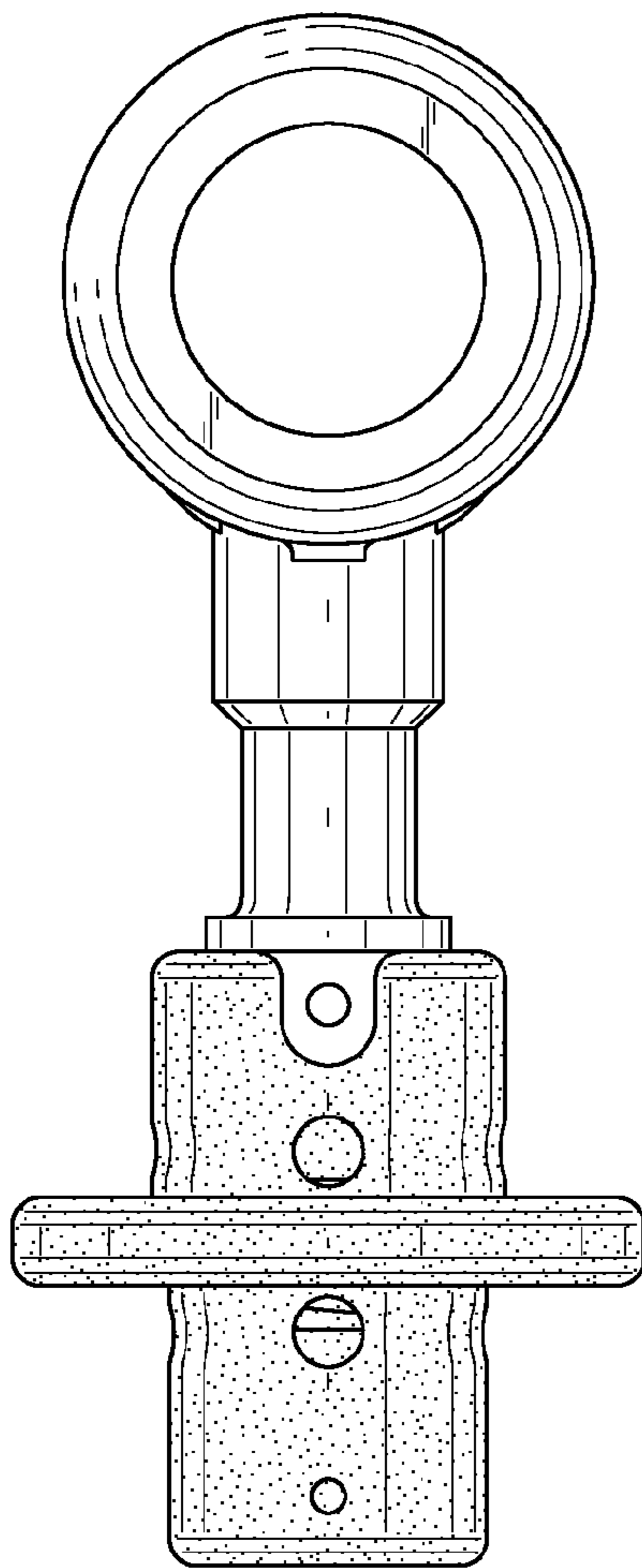


FIG. 4

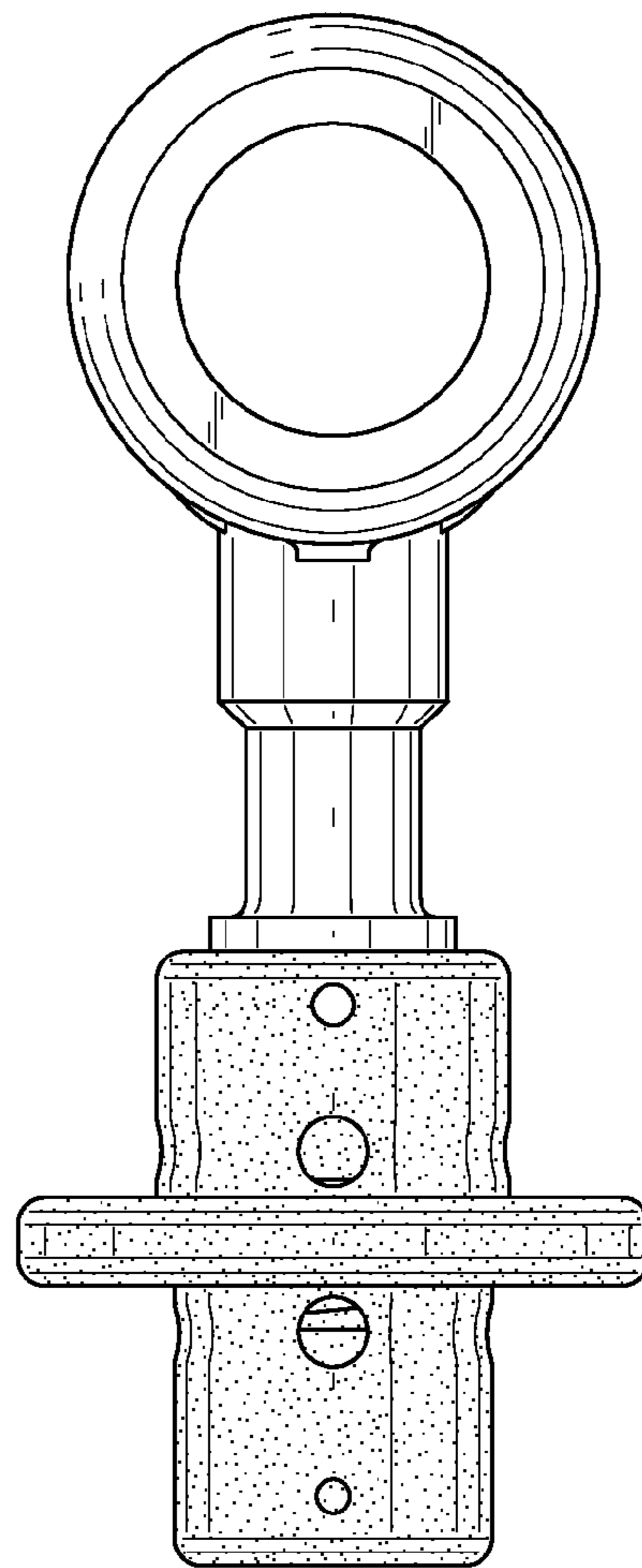


FIG. 5

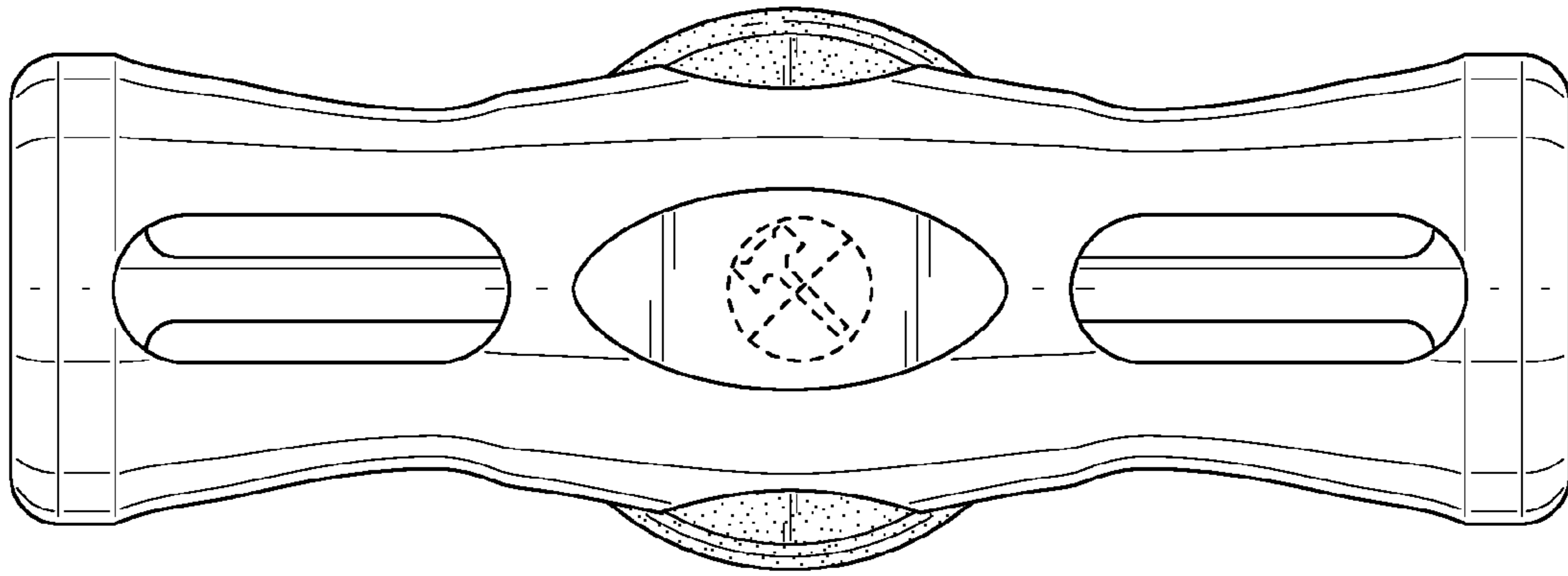


FIG. 6

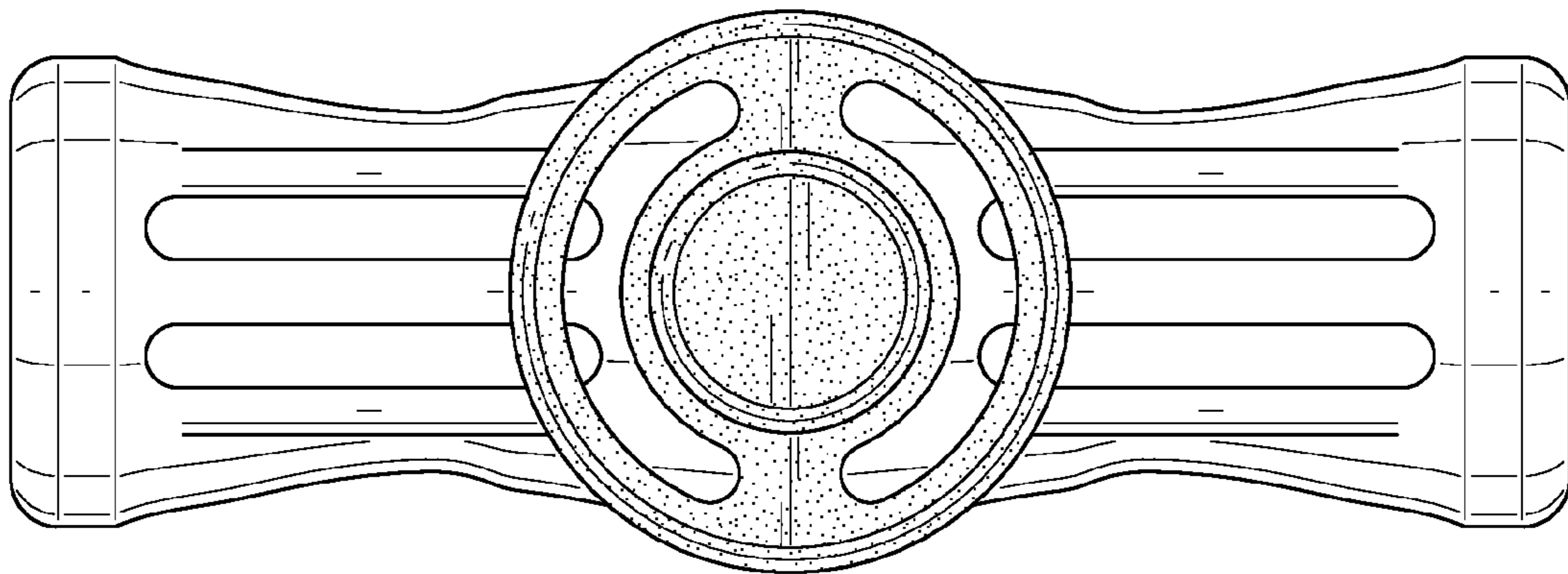


FIG. 7