



US00D649633S

(12) **United States Design Patent**
Claypool et al.

(10) **Patent No.:** **US D649,633 S**

(45) **Date of Patent:** **** Nov. 29, 2011**

(54) **DRILL GUIDE HANDLE**

(75) Inventors: **Jody L. Claypool**, Columbia City, IN (US); **Steven E. Stump**, Goshen, IN (US)

(73) Assignee: **Zimmer, Inc.**, Warsaw, IN (US)

(**) Term: **14 Years**

(21) Appl. No.: **29/362,876**

(22) Filed: **Jun. 1, 2010**

(51) **LOC (9) Cl.** **24-02**

(52) **U.S. Cl.** **D24/133; D24/140**

(58) **Field of Classification Search** D24/133, D24/140, 143, 144, 145, 146, 147, 155, 171; 606/1, 53, 86 R, 87, 88, 89, 99, 105, 205, 606/206, 211, 916, 237
See application file for complete search history.

(56) **References Cited**

U.S. PATENT DOCUMENTS

D318,118	S	*	7/1991	Michelson	D24/147
D336,957	S	*	6/1993	Koros et al.	D24/147
D358,642	S	*	5/1995	Michelson	D24/140
D369,408	S	*	4/1996	Laun	D24/137
D379,510	S	*	5/1997	Bays	D24/133
D422,473	S	*	4/2000	Spirer	D8/80
D481,610	S	*	11/2003	Neumann et al.	D8/107
D485,483	S	*	1/2004	Heathcock et al.	D8/107
D515,899	S	*	2/2006	Chan	D8/83
D518,178	S	*	3/2006	Christiansen	D24/147
D518,351	S	*	4/2006	Hay	D8/107
D538,626	S	*	3/2007	Hsieh-Yeh	D8/107

D585,989	S	*	2/2009	Leroy	D24/146
D633,034	S	*	2/2011	Heine et al.	D13/103
D633,035	S	*	2/2011	Heine et al.	D13/103
2006/0004374	A1	*	1/2006	Griner et al.	606/88
2006/0241646	A1	*	10/2006	Stihl	606/96
2008/0147196	A1	*	6/2008	Cronin et al.	623/20.34
2009/0240274	A1	*	9/2009	Boebel et al.	606/174
2010/0318089	A1	*	12/2010	Metzger et al.	606/88

* cited by examiner

Primary Examiner — Bridget L Eland

(74) *Attorney, Agent, or Firm* — Baker & Daniels LLP

(57) **CLAIM**

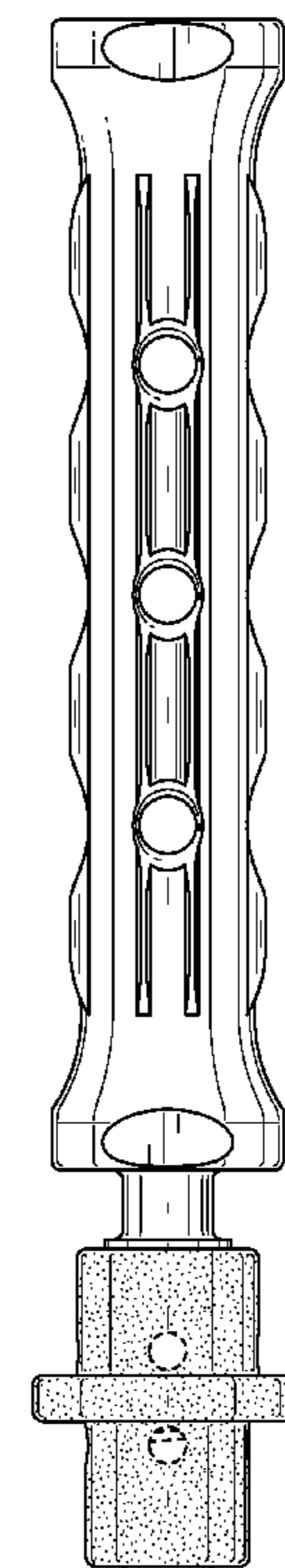
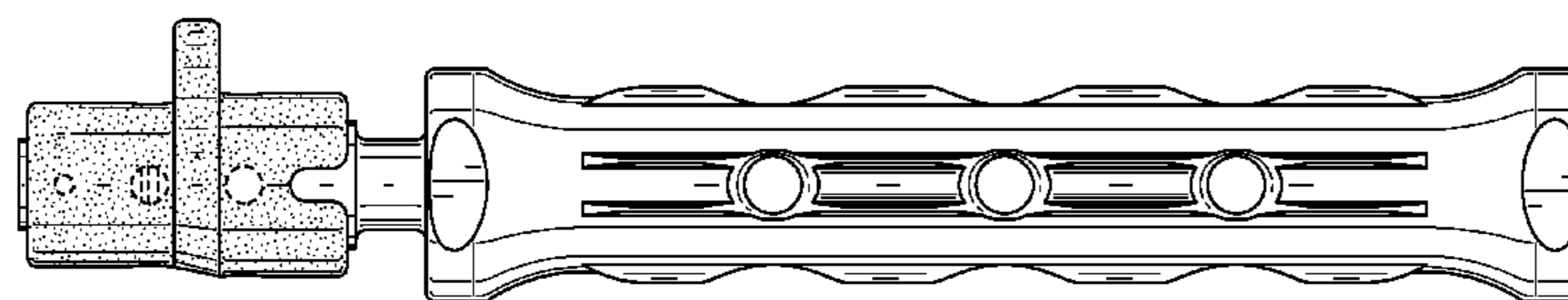
The ornamental design for a drill guide handle, as shown and described.

DESCRIPTION

FIG. 1 is a perspective view of a drill guide handle shown in an environment illustrating our new design; FIG. 2 is a rear end elevation view of the drill guide handle shown removed from its environment in order to show aspects of the design that are not apparent in the perspective view; FIG. 3 is a front end elevation view thereof; FIG. 4 is a left side elevation view thereof; FIG. 5 is a right side elevation view thereof; FIG. 6 is a top plan view thereof; and, FIG. 7 is a bottom plan view thereof.

The broken lines shown that are immediately adjacent the shaded areas represent unclaimed boundaries while all other broken lines are directed to environment and are for illustrative purposes only; the broken lines form no part of the claimed design.

1 Claim, 4 Drawing Sheets



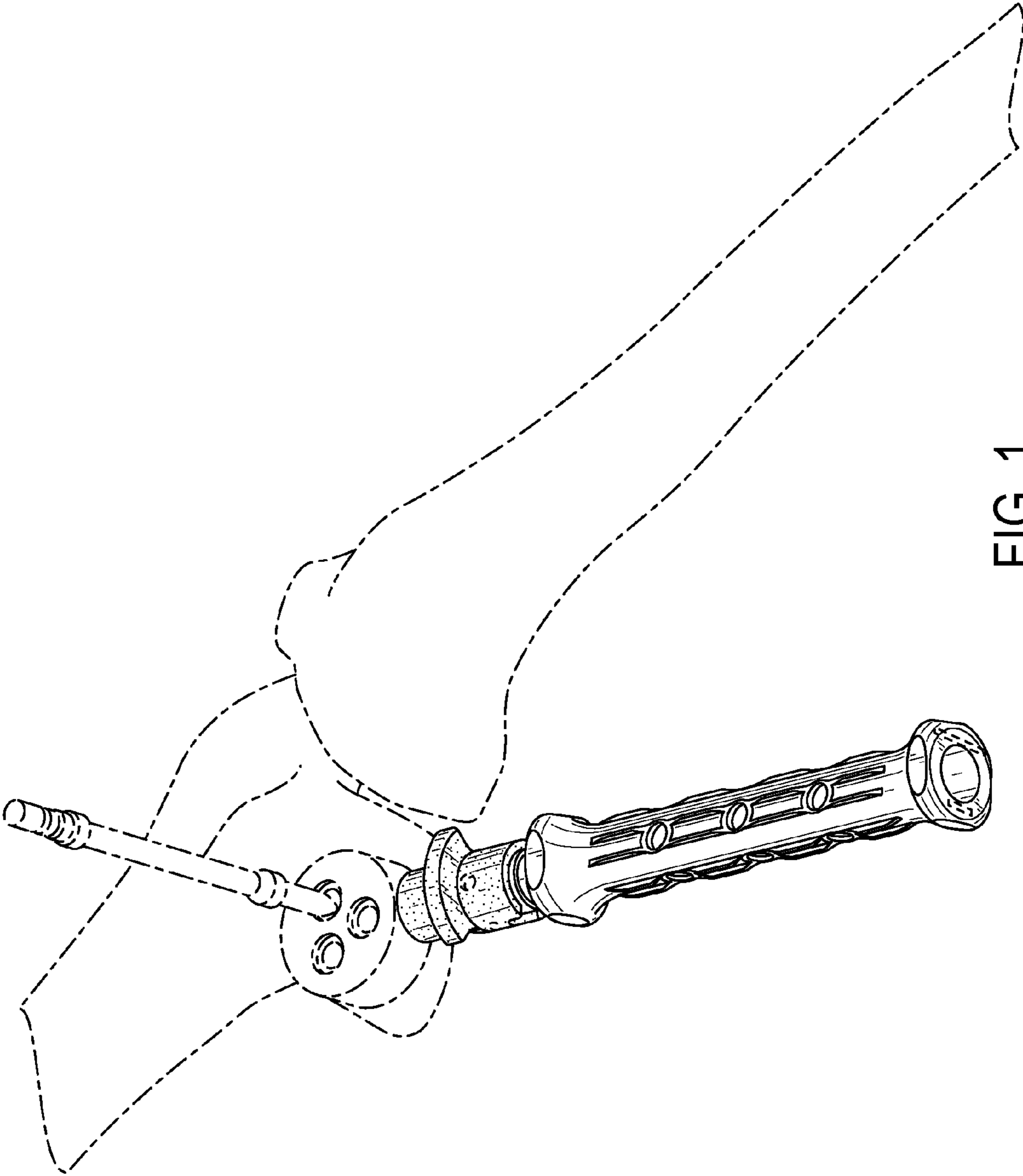


FIG. 1

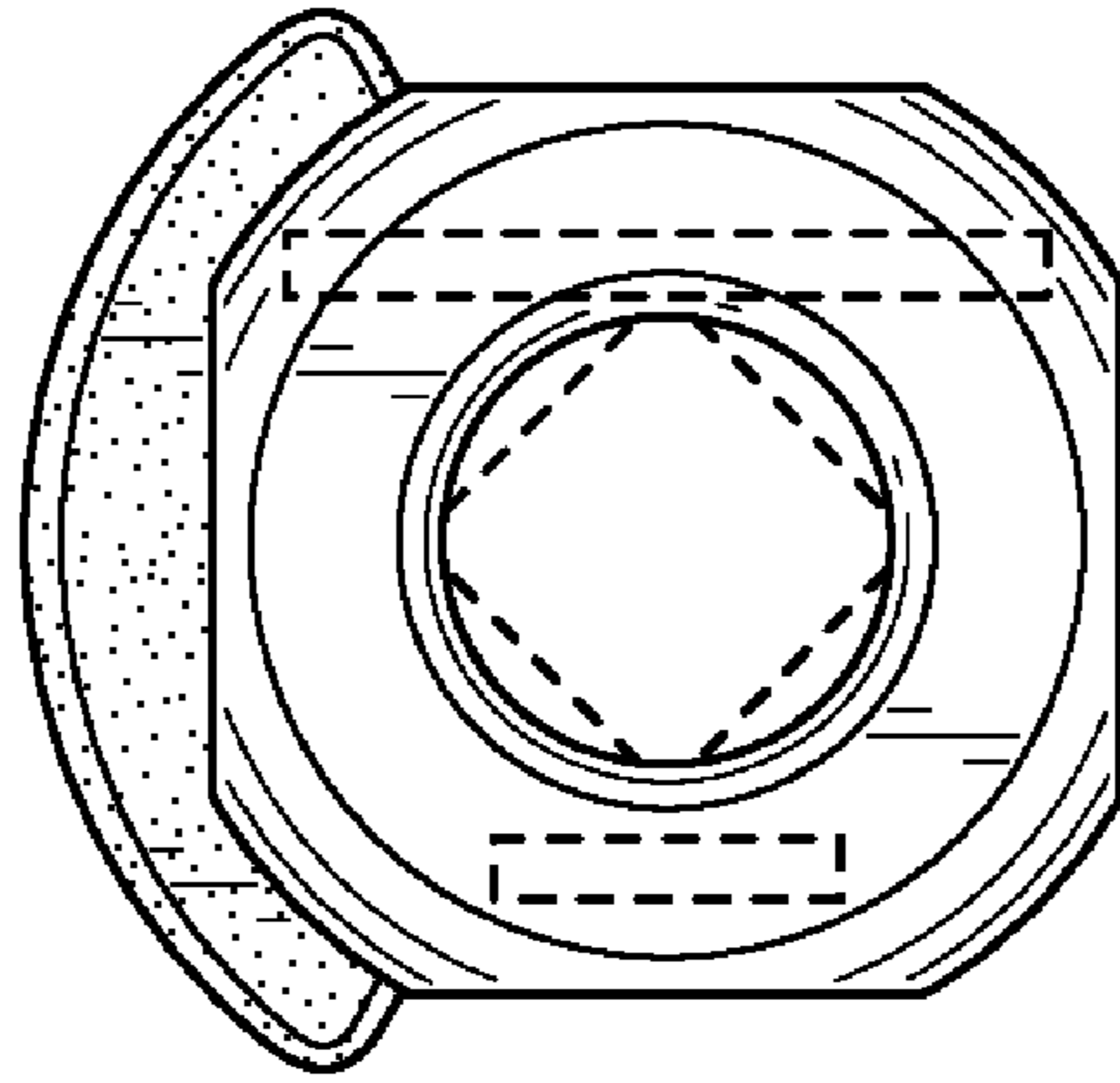


FIG. 3

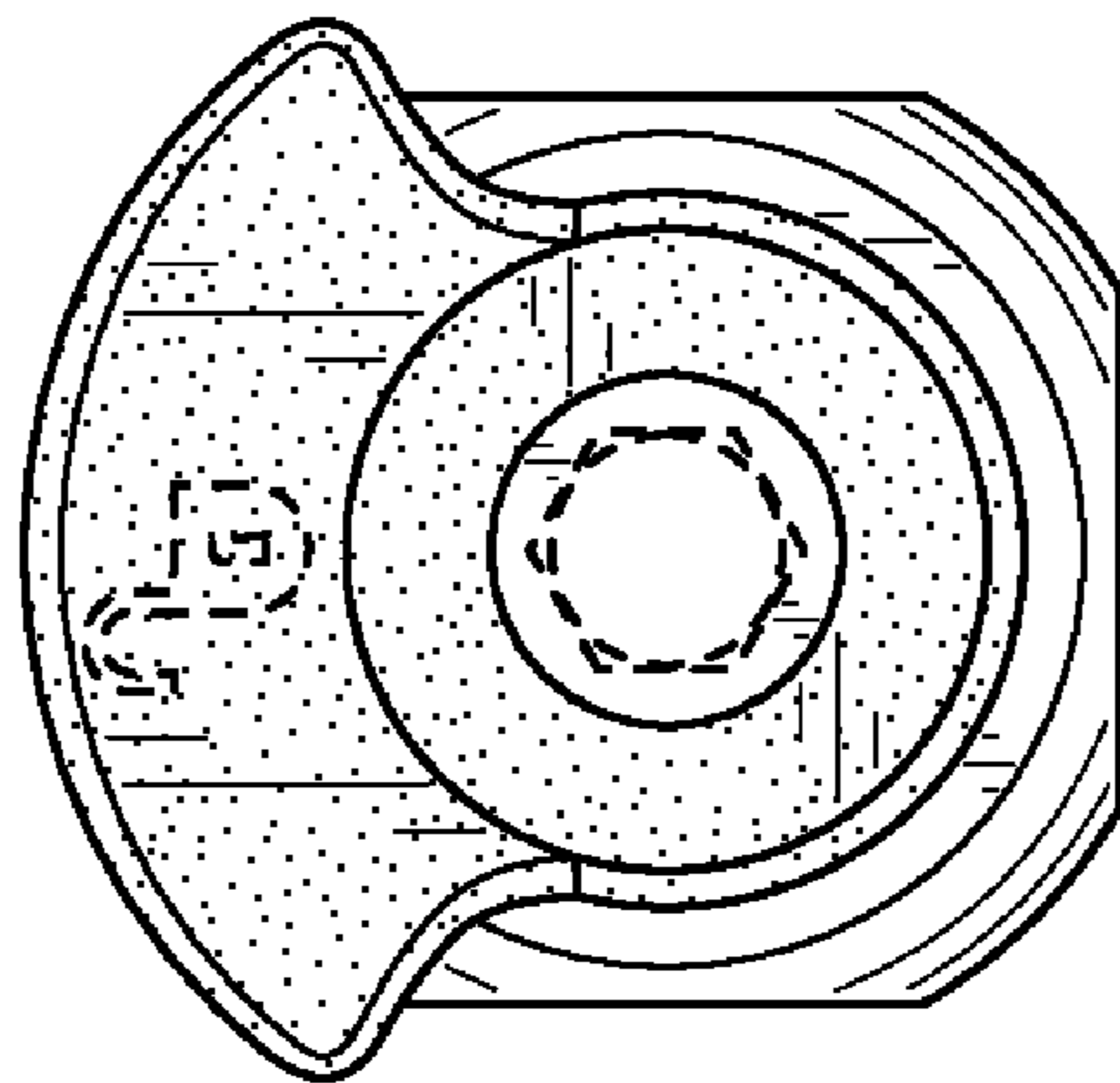


FIG. 2

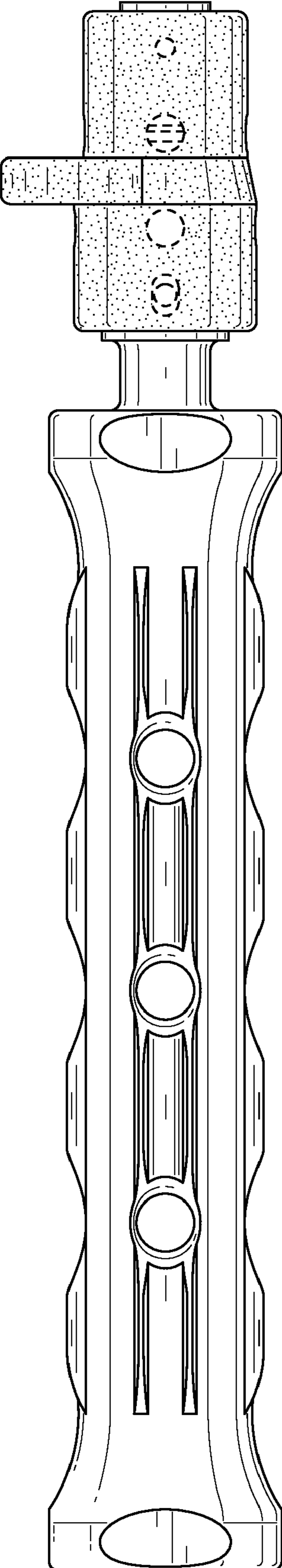


FIG. 4

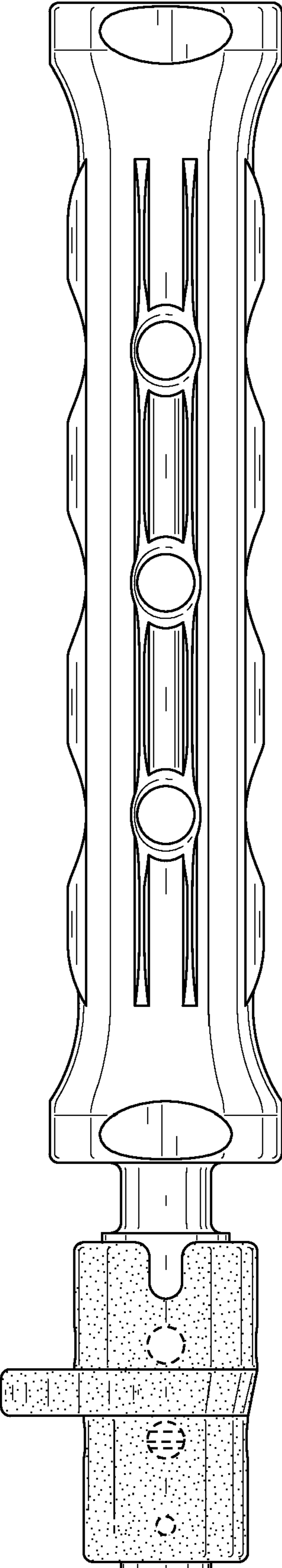


FIG. 5

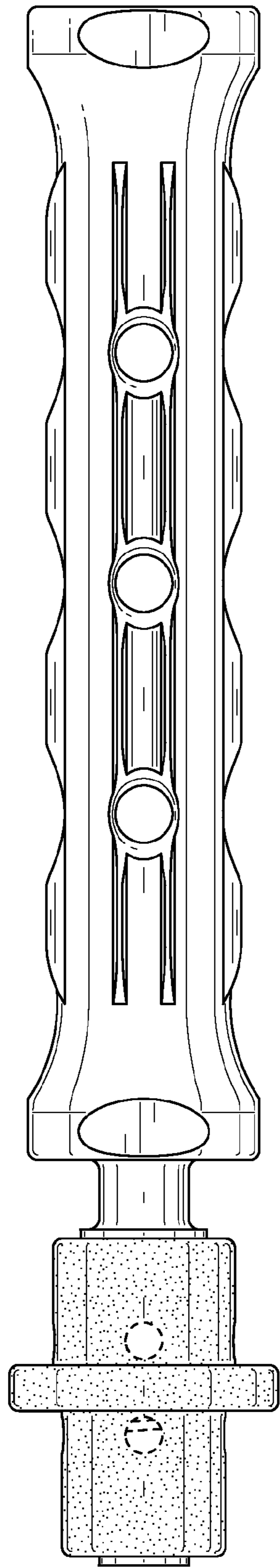


FIG. 6

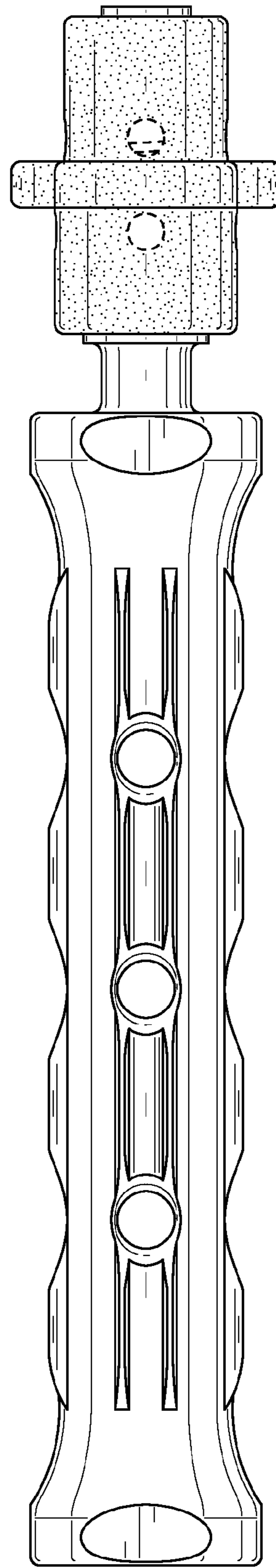


FIG. 7