



US00D649630S

(12) **United States Design Patent**  
**Kaplan et al.**

(10) **Patent No.:** **US D649,630 S**

(45) **Date of Patent:** **\*\* Nov. 29, 2011**

(54) **SCENT DIFFUSER**

(75) Inventors: **Cem Kaplan**, Istanbul (TR); **Ertan Korkmaz**, Istanbul (TR)

(73) Assignee: **Cekk Kimya Ve Kozmetik Urlr. San. Ve Dis Tic. Ltd. Sti.**, Istanbul (TR)

(\*\*) Term: **14 Years**

(21) Appl. No.: **29/387,920**

(22) Filed: **Mar. 21, 2011**

(51) **LOC (9) Cl.** ..... **28-99**

(52) **U.S. Cl.** ..... **D23/366**

(58) **Field of Classification Search** ..... D23/355-369;  
D28/5, 6; 261/DIG. 17, DIG. 42, DIG. 65,  
261/DIG. 88, DIG. 89; 392/386, 390, 391,  
392/392, 393, 394, 395; 239/34, 35, 44-47,  
239/50, 53, 56, 60, 145, 326

See application file for complete search history.

(56) **References Cited**

U.S. PATENT DOCUMENTS

D239,163 S \* 3/1976 Dearling ..... D23/369  
4,467,177 A \* 8/1984 Zobebe ..... 392/392  
D489,123 S \* 4/2004 Basaganas Millan ..... D23/366

D503,973 S \* 4/2005 Millan ..... D23/366  
D515,188 S \* 2/2006 Schalansky et al. .... D23/355  
D539,407 S \* 3/2007 Zobebe ..... D23/366  
D540,931 S \* 4/2007 Luo ..... D23/366  
D544,950 S \* 6/2007 Zobebe ..... D23/366  
D546,431 S \* 7/2007 Quinn et al. .... D23/359  
D547,430 S \* 7/2007 Low ..... D23/364  
D632,378 S \* 2/2011 Deflorian et al. .... D23/366

\* cited by examiner

*Primary Examiner* — Sandra Snapp

(74) *Attorney, Agent, or Firm* — Egbert Law Offices PLLC

(57) **CLAIM**

The ornamental design for a scent diffuser, as shown and described.

**DESCRIPTION**

FIG. 1 is an upper perspective view of the scent diffuser showing our design.

FIG. 2 is a front elevation view thereof;

FIG. 3 is a back elevation view thereof;

FIG. 4 is top plan view thereof;

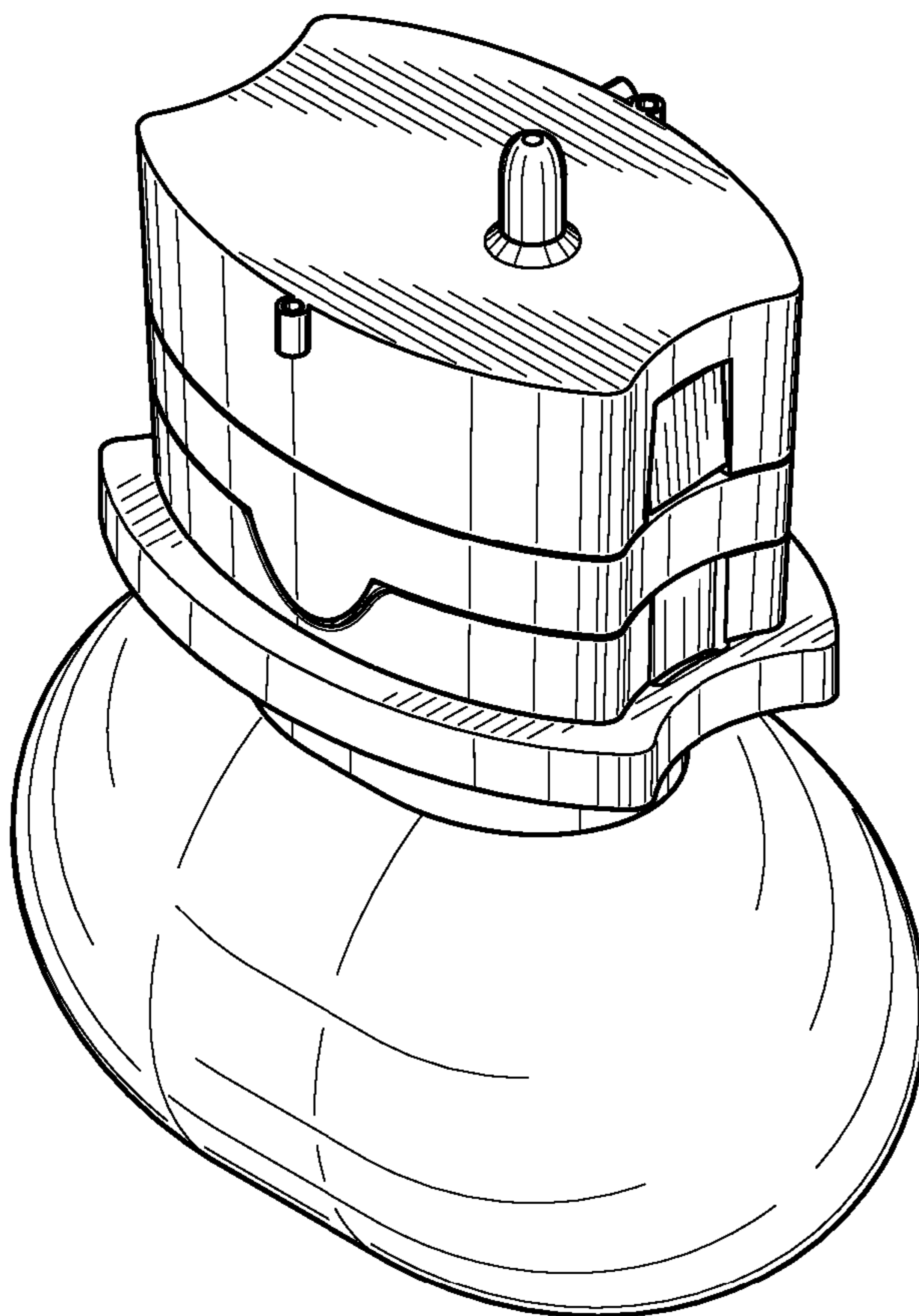
FIG. 5 is a bottom view thereof;

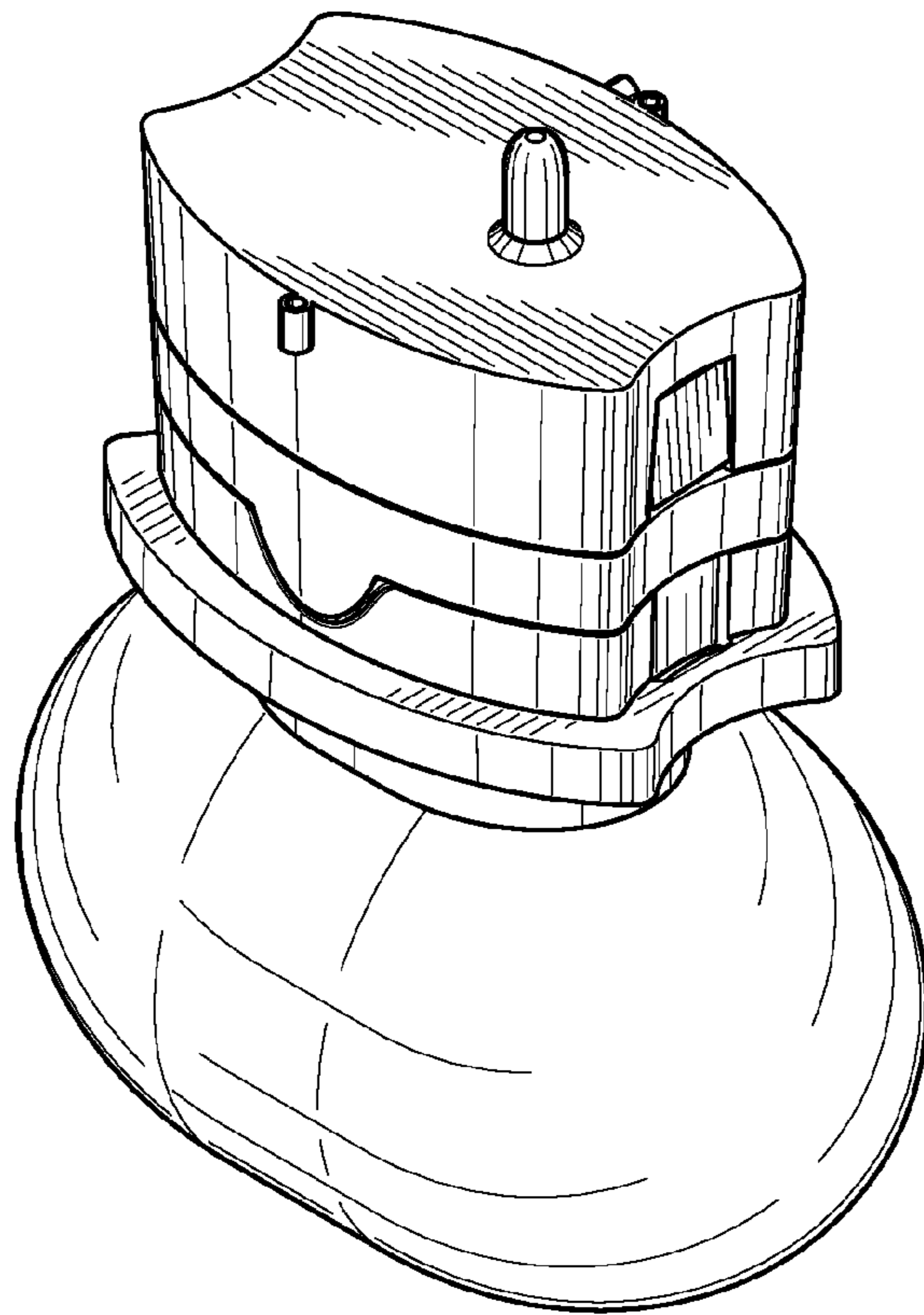
FIG. 6 is a side elevation view thereof;

FIG. 7 is an opposite side elevation view thereof; and,

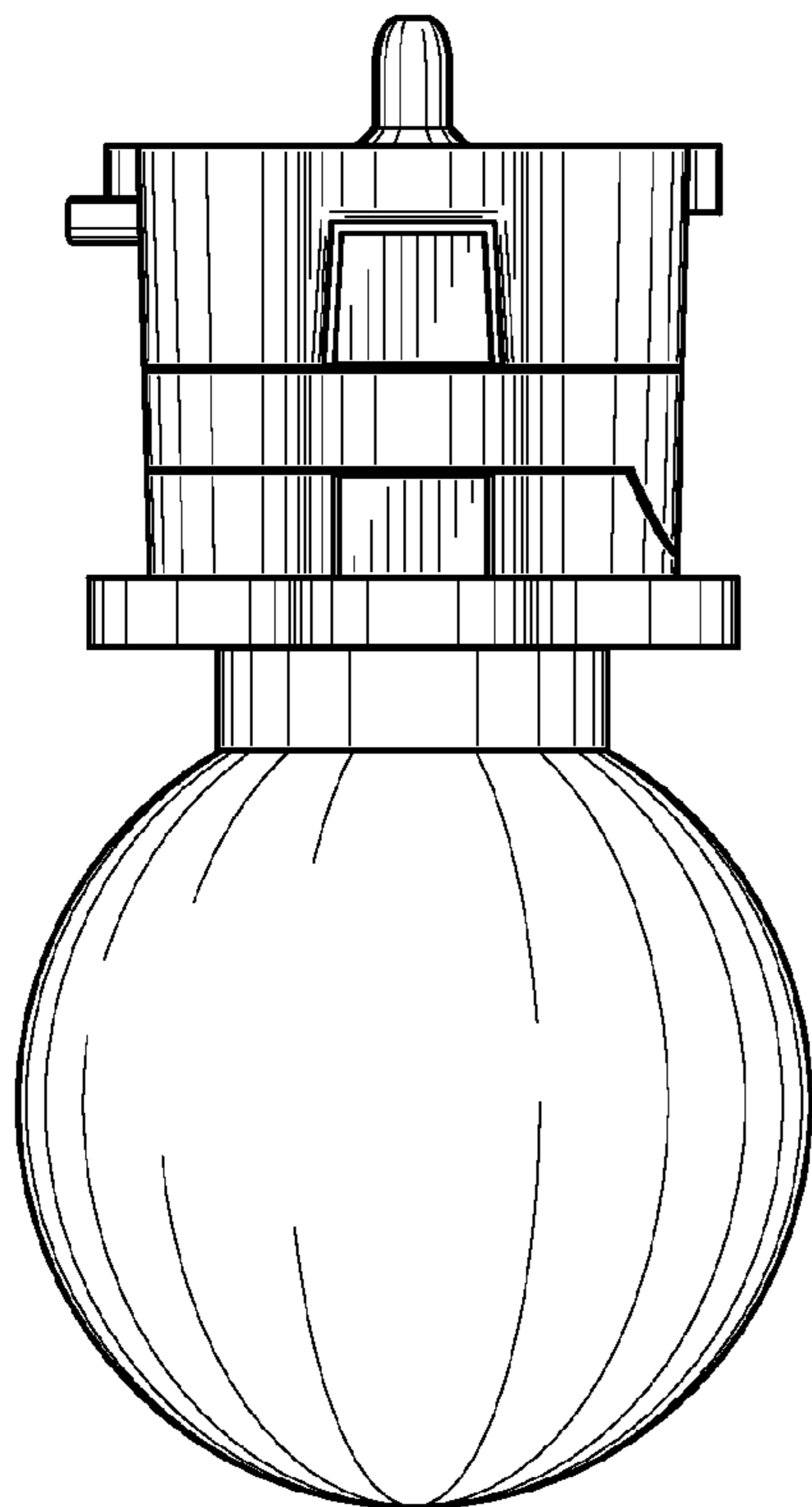
FIG. 8 is an exploded, upper perspective view thereof.

**1 Claim, 3 Drawing Sheets**

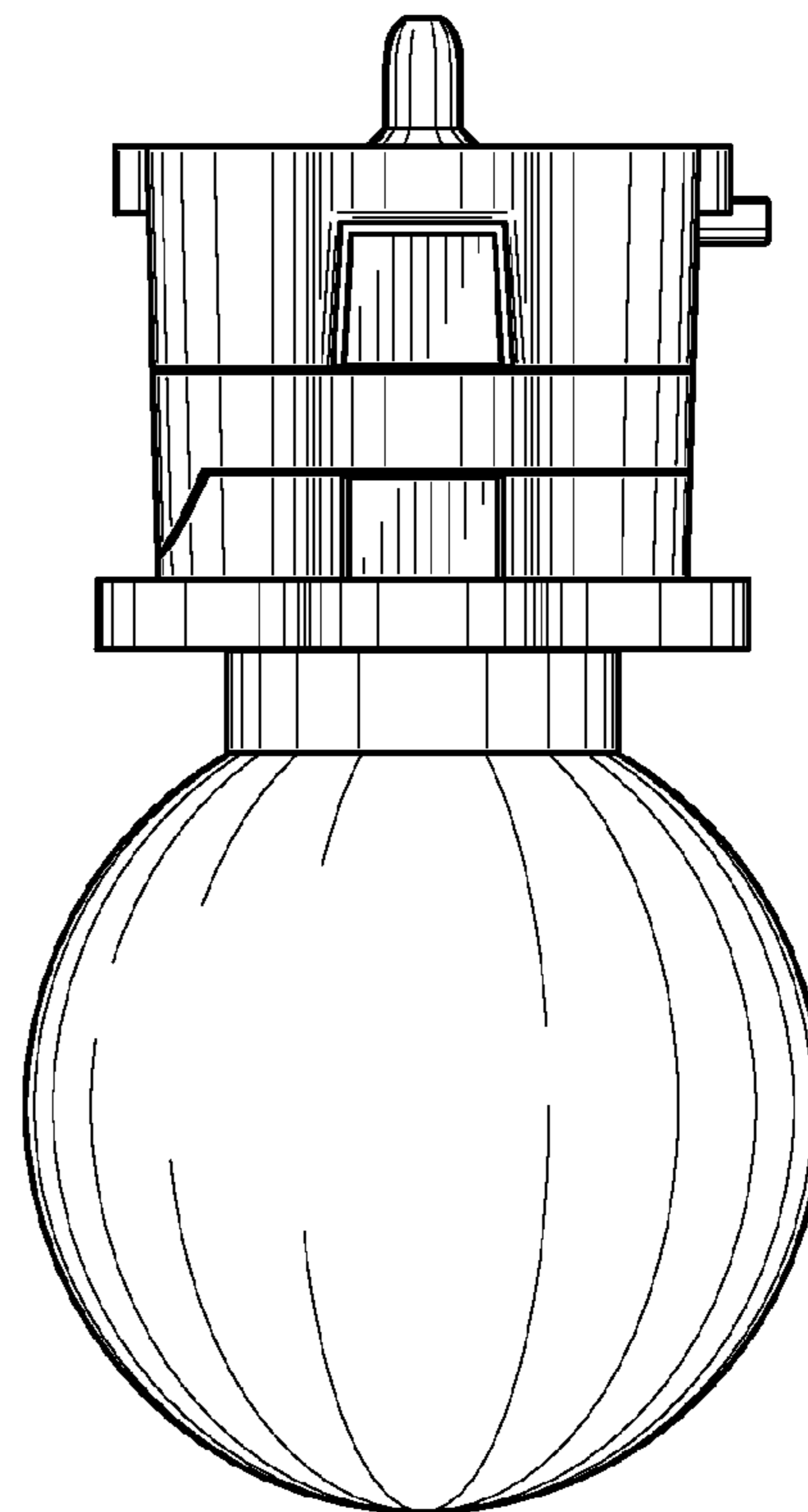




*FIG. 1*



*FIG. 2*



*FIG. 3*

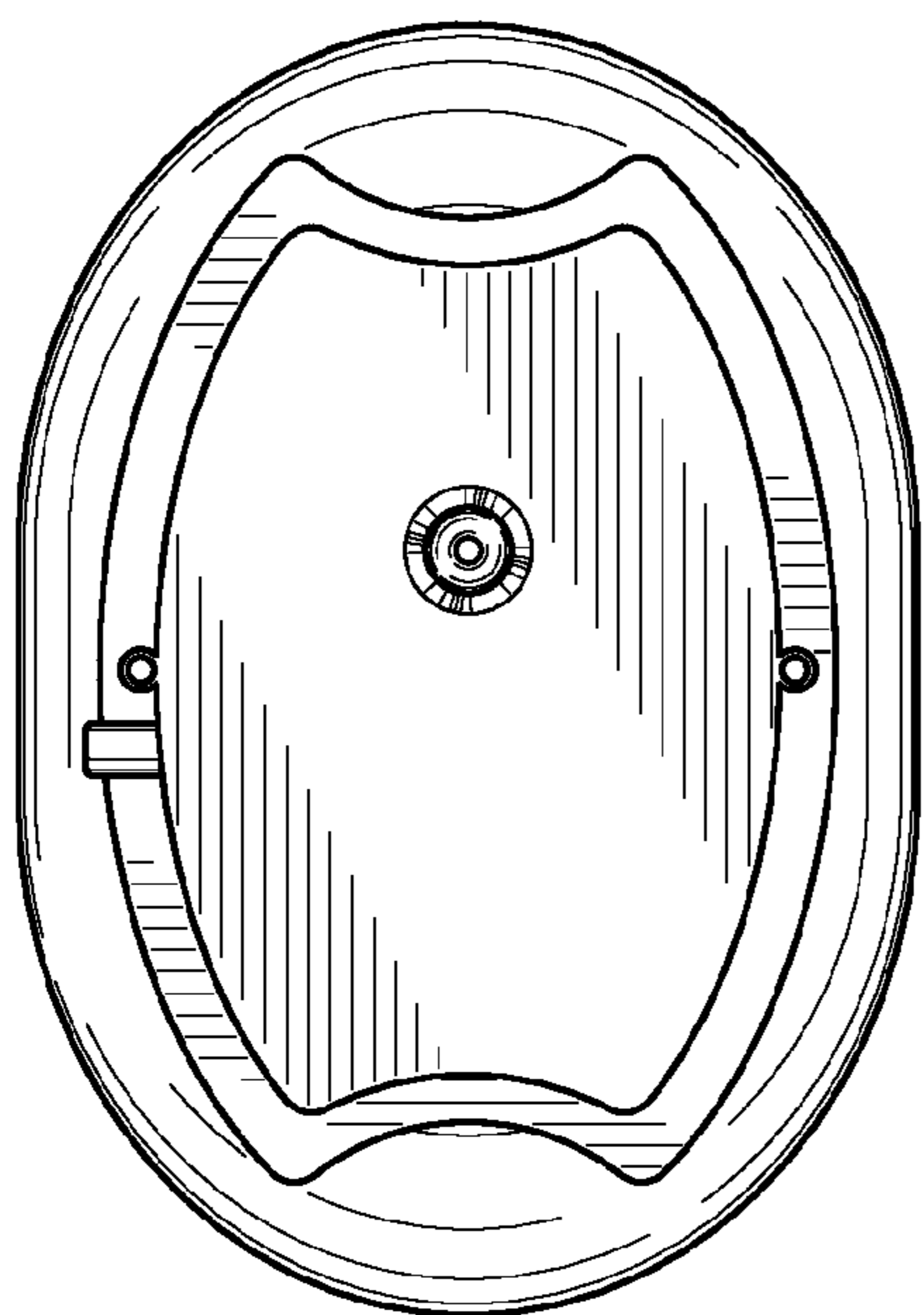


FIG. 4

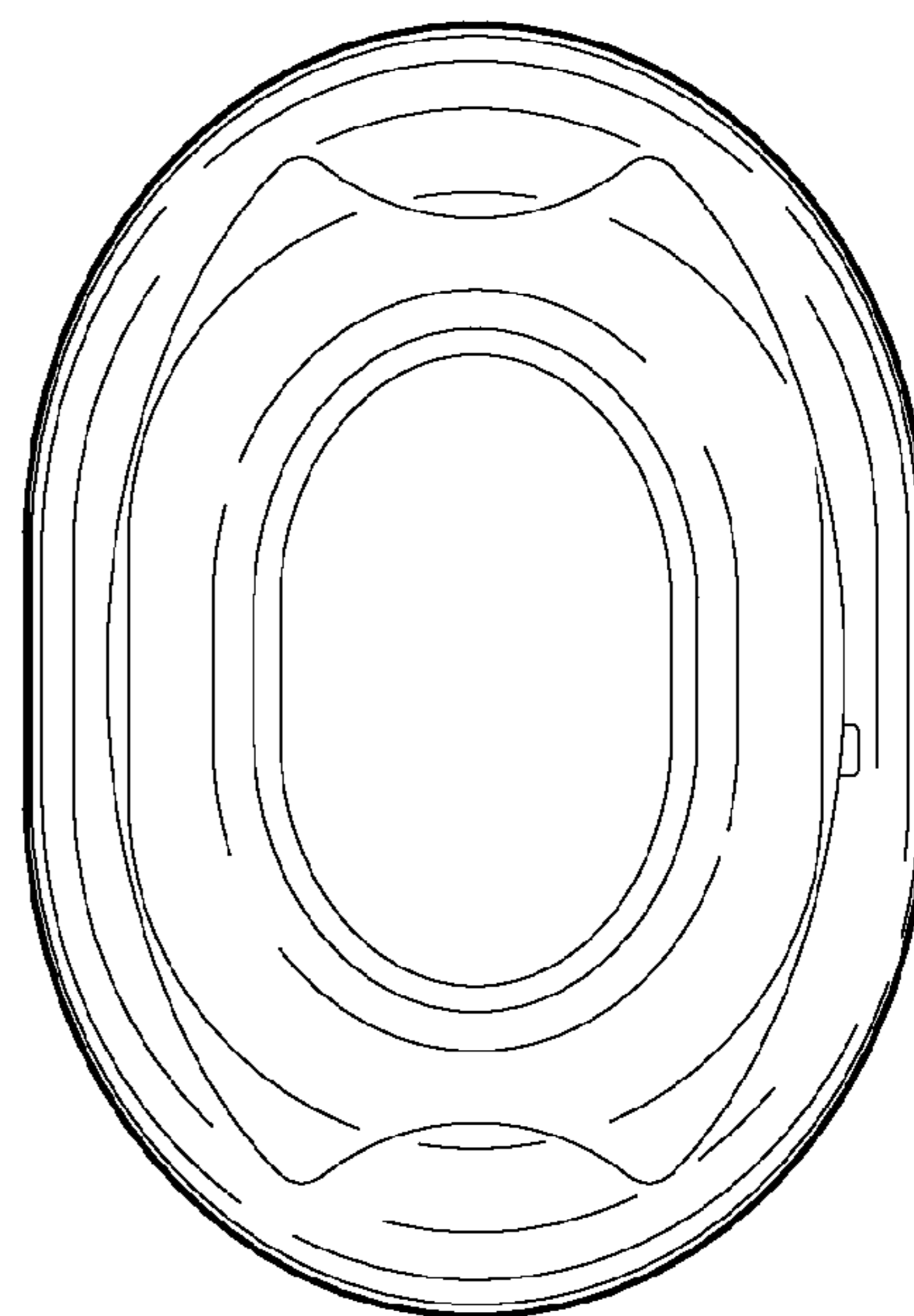


FIG. 5

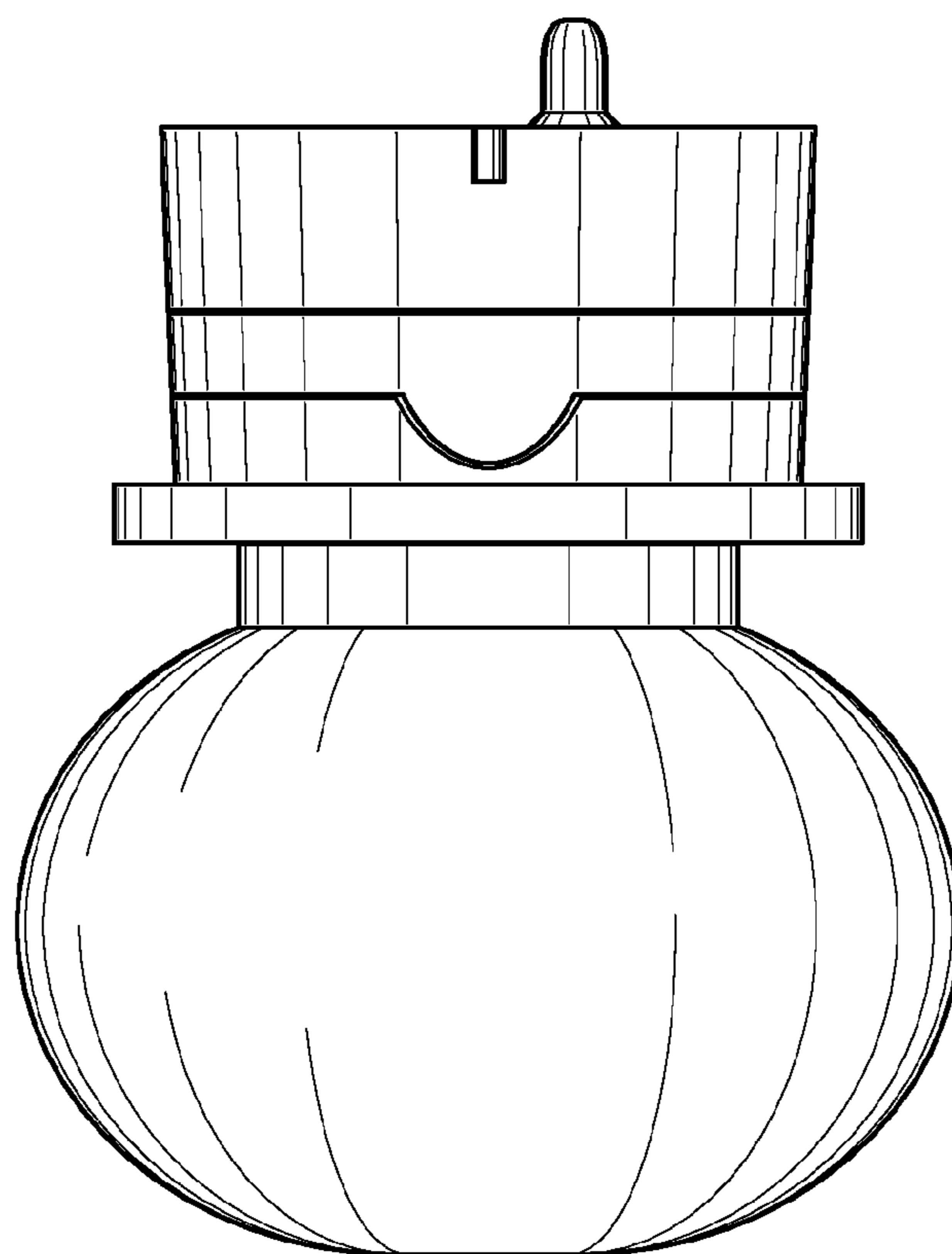


FIG. 6

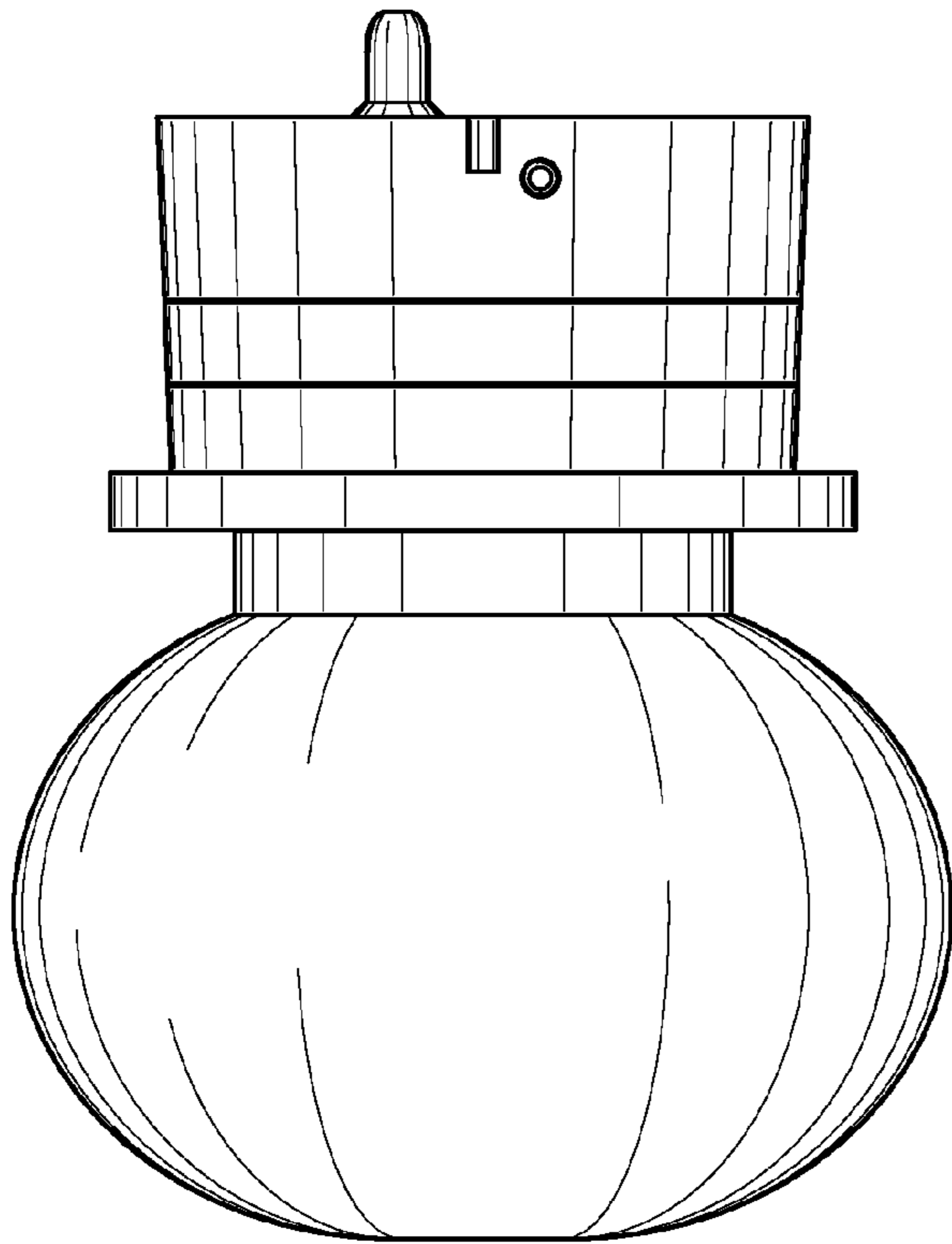


FIG. 7

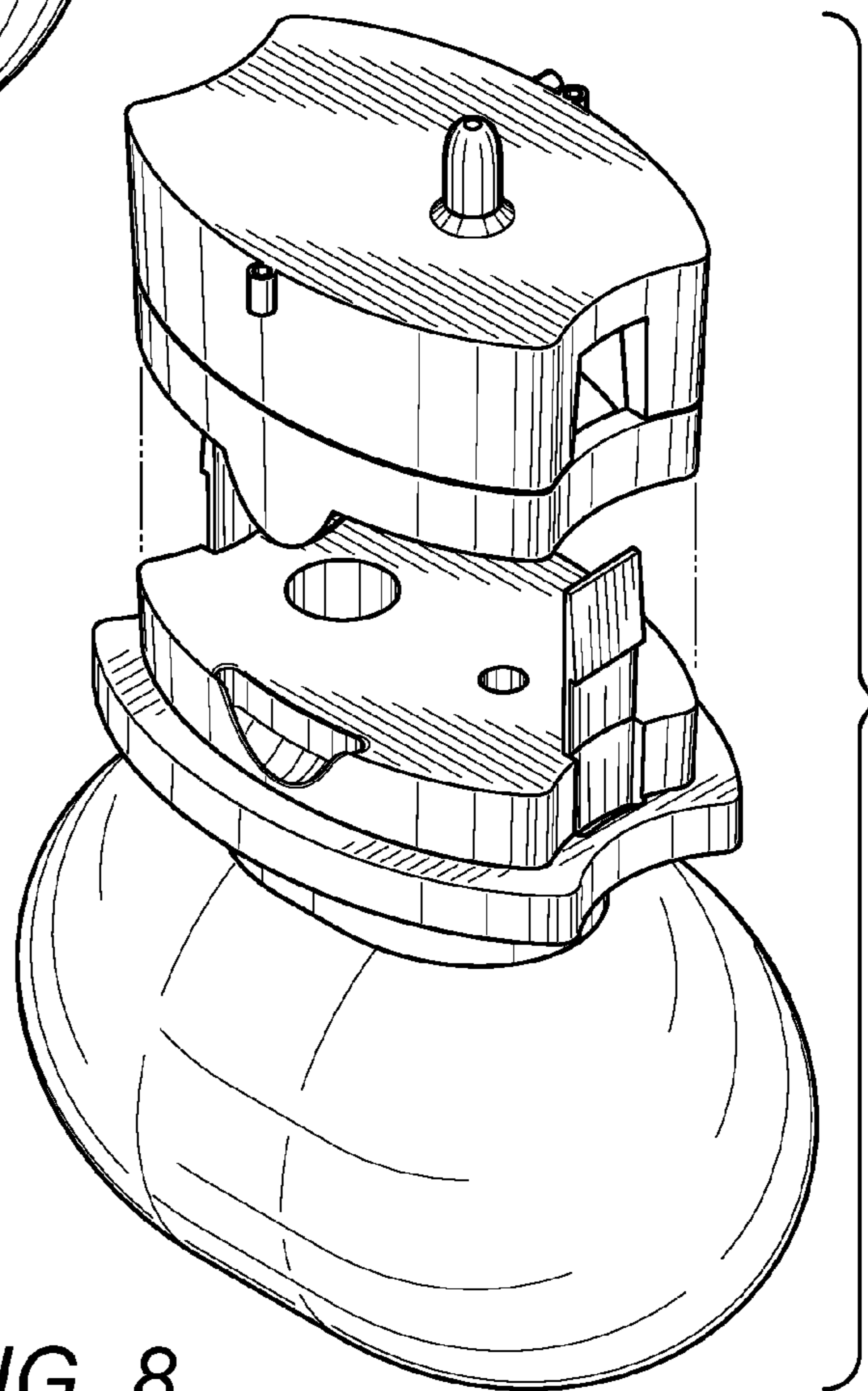


FIG. 8