



US00D649627S

(12) **United States Design Patent**  
**Corpuz, Jr. et al.**

(10) **Patent No.:** **US D649,627 S**

(45) **Date of Patent:** **\*\* Nov. 29, 2011**

(54) **PLUMBING FIXTURE**

(75) Inventors: **Roque M. Corpuz, Jr.**, Sheboygan, WI (US); **Mary Reid**, Sheboygan, WI (US)

(73) Assignee: **Kohler Co.**, Kohler, WI (US)

(\*\*) Term: **14 Years**

(21) Appl. No.: **29/393,545**

(22) Filed: **Jun. 6, 2011**

**Related U.S. Application Data**

(62) Division of application No. 29/377,697, filed on Oct. 25, 2010, now Pat. No. Des. 641,459.

(51) **LOC (9) Cl.** ..... **23-02**

(52) **U.S. Cl.** ..... **D23/313**

(58) **Field of Classification Search** ..... D23/301,  
D23/303, 309, 313; 4/353

See application file for complete search history.

(56) **References Cited**

**U.S. PATENT DOCUMENTS**

D410,998 S	6/1999	Jones	
D472,310 S *	3/2003	Kawamura	D23/301
D472,619 S	4/2003	Kawamura	
D520,615 S	5/2006	Hou	
D521,131 S *	5/2006	Hou	D23/313
D532,493 S	11/2006	Bucher	
D532,875 S	11/2006	Kaule	
D533,927 S	12/2006	Kakahana	
D578,620 S *	10/2008	Zou et al.	D23/301
D578,625 S	10/2008	Ho	
D579,092 S	10/2008	Cummings	
D585,128 S *	1/2009	Slothower et al.	D23/313
D601,233 S	9/2009	Kergoet	
D603,029 S	10/2009	Bucher	
D603,945 S	11/2009	Bucher	
D608,430 S *	1/2010	Slothower et al.	D23/313
D616,077 S	5/2010	Lin et al.	
D621,011 S	8/2010	Bucher	
D621,488 S	8/2010	Bucher	
D624,165 S	9/2010	Yokoyama et al.	
D624,997 S	10/2010	Schönherr et al.	

**OTHER PUBLICATIONS**

Kohler Co. "Wellworth Pressure-Lite Toilet". Model No. K-3505. Kohler Catalog.

(Continued)

*Primary Examiner* — Robert Delehanty

(74) *Attorney, Agent, or Firm* — Foley & Lardner LLP

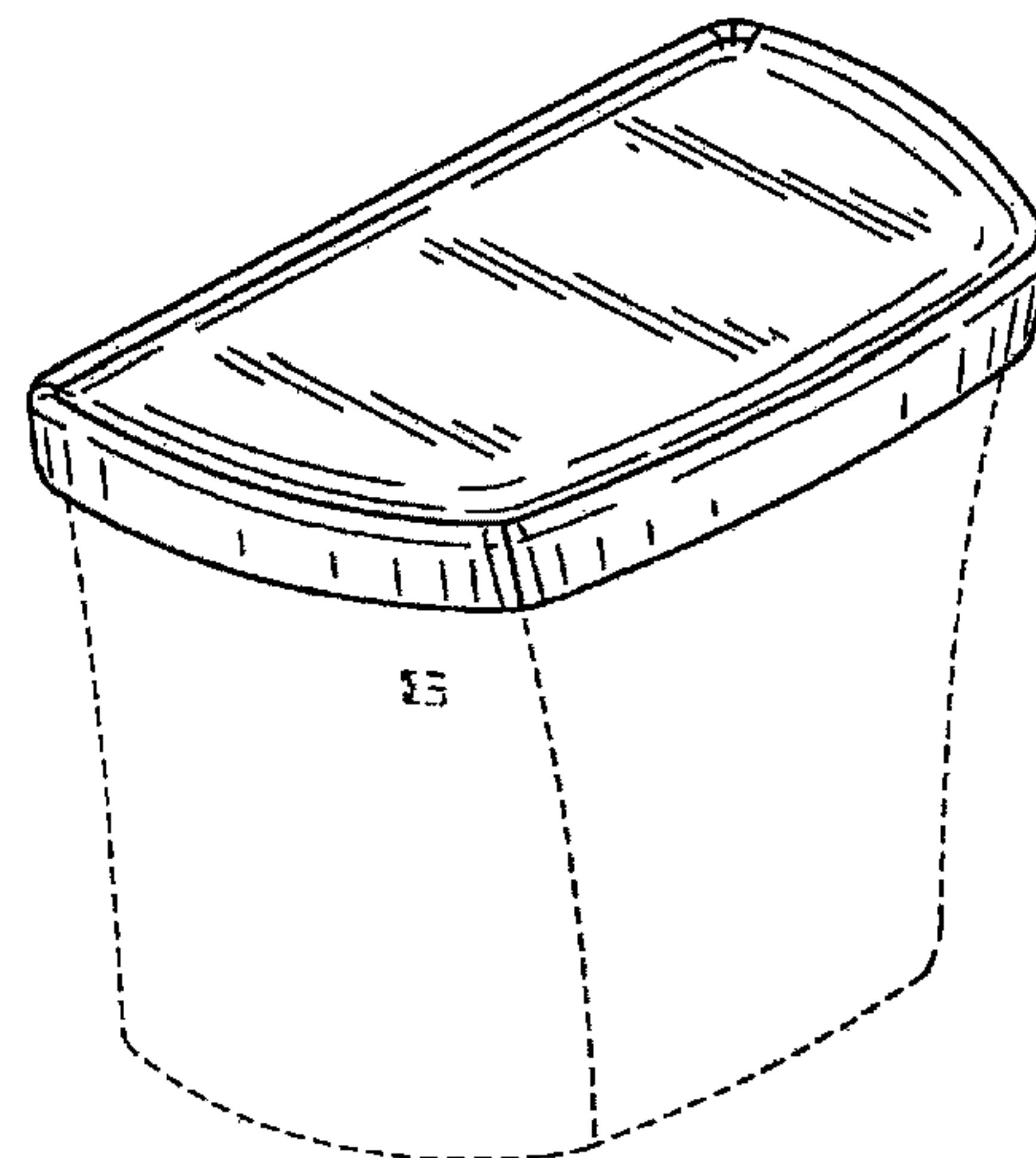
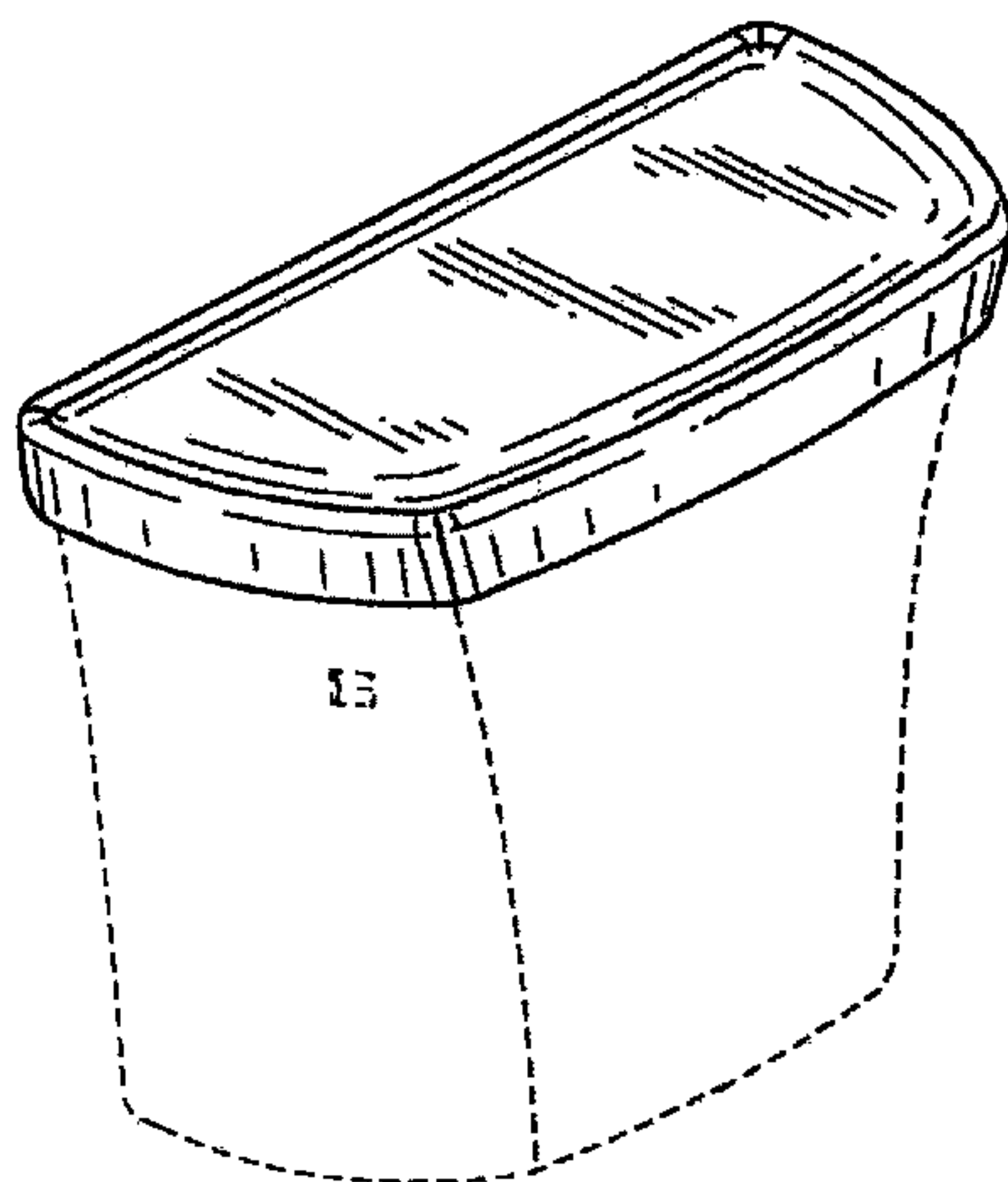
(57) **CLAIM**

The ornamental design for a plumbing fixture, as shown and described.

**DESCRIPTION**

FIG. 1 is a left, top, front perspective view of a plumbing fixture according to our new design;  
 FIG. 2 is a front elevational view thereof;  
 FIG. 3 is a left side elevational view thereof;  
 FIG. 4 is a right side elevational view thereof;  
 FIG. 5 is a top plan view thereof;  
 FIG. 6 is a bottom plan view thereof;  
 FIG. 7 is a rear elevational view thereof;  
 FIG. 8 is a sectional view taken along line 8-8 of FIG. 5;  
 FIG. 9 is a left, top, front perspective view of a plumbing fixture according to another embodiment of our new design;  
 FIG. 10 is a front elevational view thereof;  
 FIG. 11 is a left side elevational view thereof;  
 FIG. 12 is a right side elevational view thereof;  
 FIG. 13 is a top plan view thereof;  
 FIG. 14 is a bottom plan view thereof;  
 FIG. 15 is a rear elevational view thereof; and,  
 FIG. 16 is a sectional view taken along line 16-16 of FIG. 13.  
 In a preferred embodiment, the nature of this product is as a plumbing fixture in the form of a tank and/or lid component for a water closet.  
 The broken line representations in the figures are for the purpose of illustrating unclaimed environment of the claimed design. The broken lines thus do not form part of the claimed design.

**1 Claim, 8 Drawing Sheets**



## OTHER PUBLICATIONS

Kohler Co. "Leighton Comfort-Height Toilet". Model No. K-3651.  
Kohler.com online catalog. Copyright 2009 Kohler Co.  
Kohler Co. "Kelston Comfort Height Toilet". Model No. K-3755.  
Kohler Catalog.  
Niagra Conservation. "Stealth" Toilet. StealthToilets.com online catalog.  
American Standard. "Tropic" Toilet.  
American Standard. "Evolution 2" Toilet.  
American Standard. "Skyline" Toilet.  
American Standard. "Cadet" Toilet.  
American Standard. "Champion" Toilet.  
American Standard. "Studio" Toilet.  
American Standard. "Doral" Toilet.  
American Standard. "Town Square" Toilet.  
American Standard. "Colony" Toilet.  
American Standard. "Triumph" Toilet.  
Briggs. "M128" Toilet.  
Briggs. "Conserver" Toilet.  
Briggs. "Vacuity" Toilet.  
Briggs. "Aegis" Toilet.  
Caroma. "Sydney" Toilet.  
Caroma. "Royale" Toilet.  
Crane. "Saratoga" Toilet.  
Crane. "Hymont" Toilet.  
Crane. "Galaxy" Toilet.  
Crane. "Toilet to Go" Toilet.  
Eljer. "Titan" Toilet.  
Eljer. "Patriot" Toilet.  
Eljer. "Diplomat" Toilet.  
Eljer. "Calloway" Toilet.  
Eljer. "Stratus" Toilet.  
Eljer. "Belmont" Toilet.  
Foremost. Toilets.

Gerber. "Avalanche".  
Gerber. "Lynx".  
Gerber. "Viper".  
Gerber. "Aqua Saver".  
Gerber. "Maxwell".  
Lowe's. "Aquasource" Toilets.  
Mansfield. "Quantum" Toilet.  
Mansfield. "Maverick" Toilet.  
Mansfield. "Essence" Toilet.  
Mansfield. "Summit" Toilet.  
Mansfield. "Montclair" Toilet.  
Mansfield. "Romanesque" Toilet.  
Mansfield. "Reo" Toilet.  
Mirabelle. Toilet.  
Pro Flo. Toilets.  
St. Thomas Creations. "Apollo".  
St. Thomas Creations. "Marathon".  
St. Thomas Creations. "Presley".  
THD. "Glacier Bay". Toilets.  
Toto. "Carusoe".  
Toto. "Drake".  
Toto. "Whitney".  
Toto. "Vespin".  
Toto. "Carrollton".  
Toto. "Clayton".  
Vortens. "Rhodas".  
Vortens. "Loretto".  
Vortens. "Manchester".  
Vortens. "Tornado".  
Vortens. "Vienna".  
Zurn. Toilets.  
Niagra. Stealth.  
Notice of Allowance, dated Mar. 17, 2011, for U.S. Appl. No. 29/377,697.

\* cited by examiner

FIG. 1

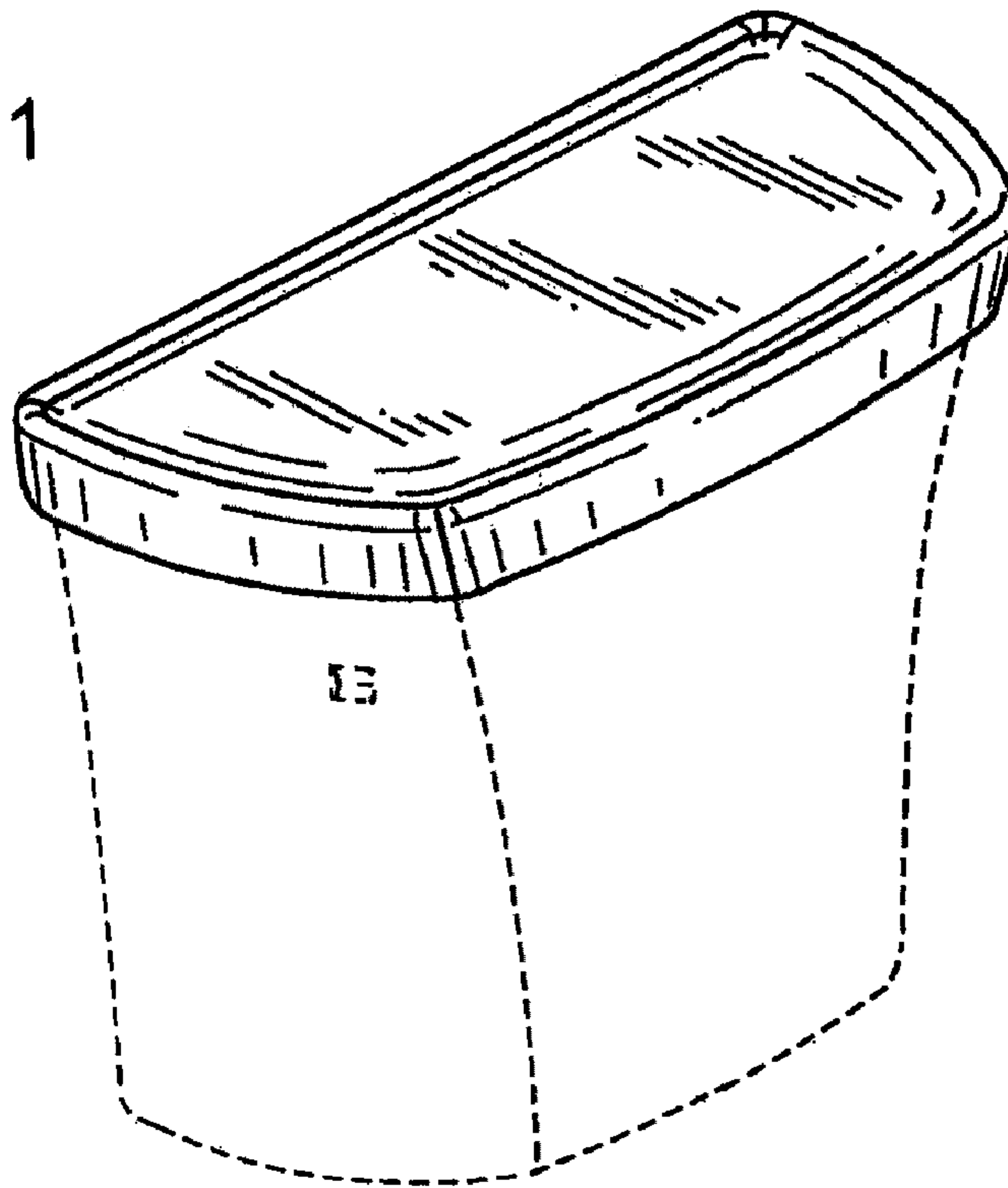


FIG. 2

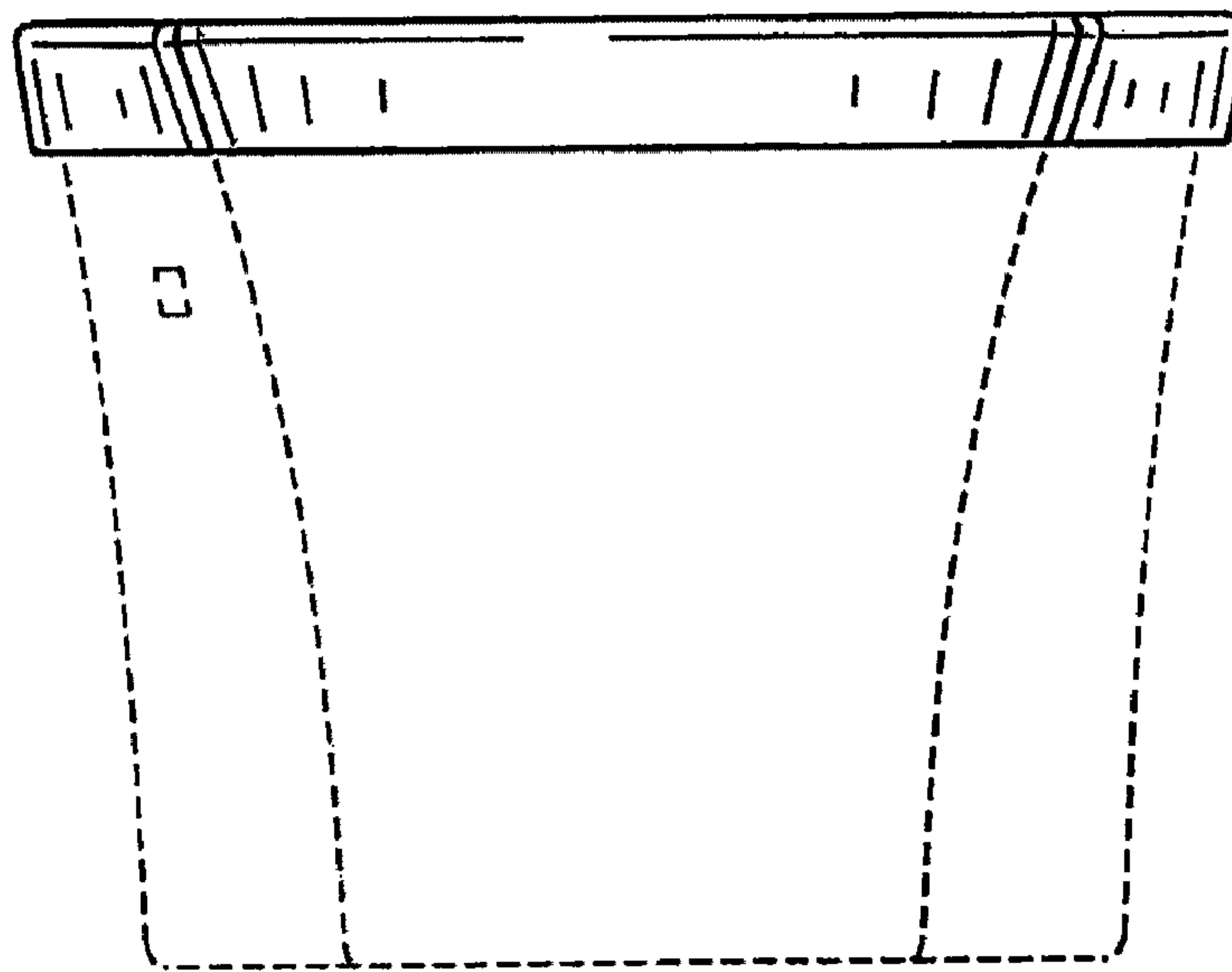


FIG. 3

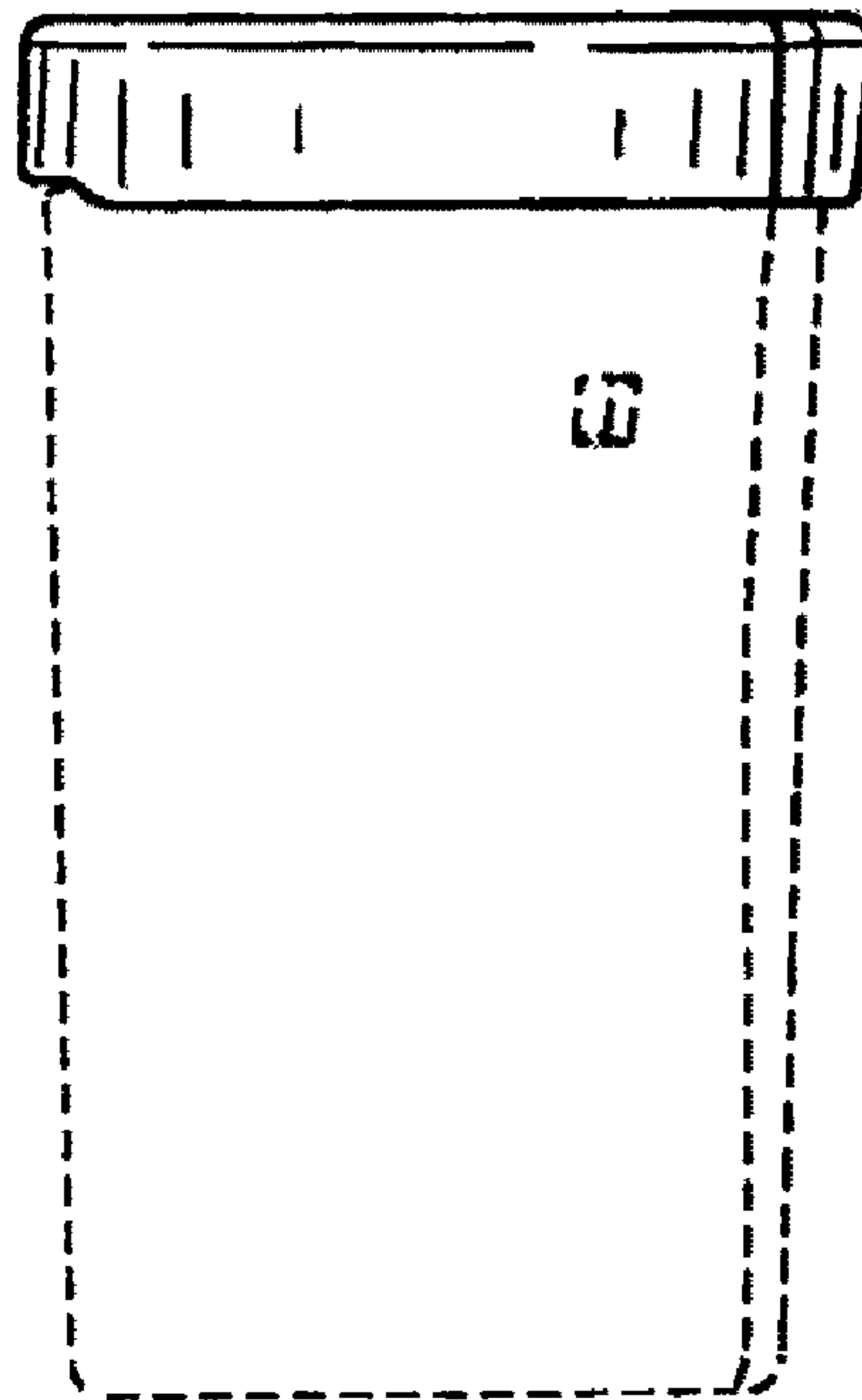
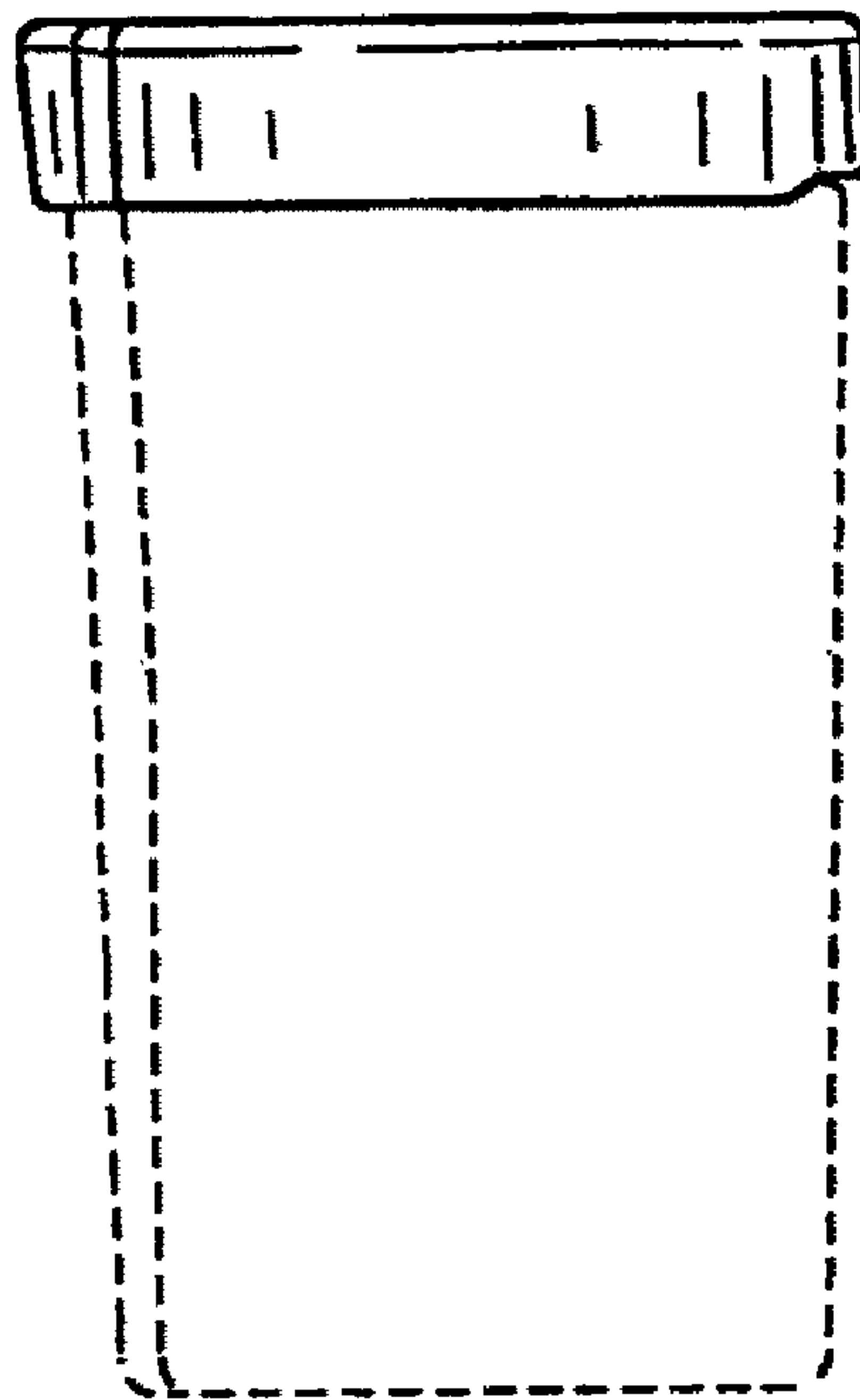
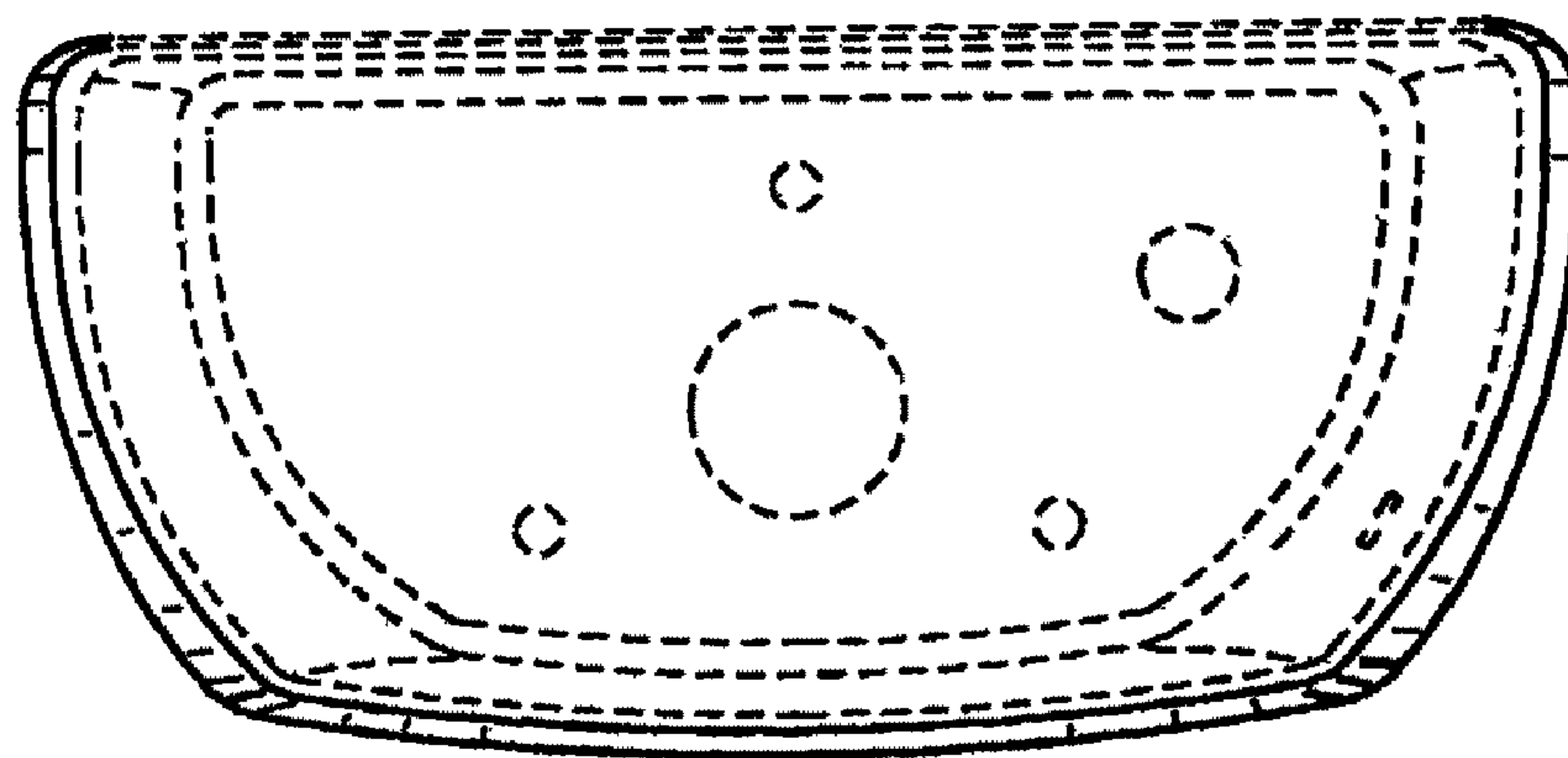
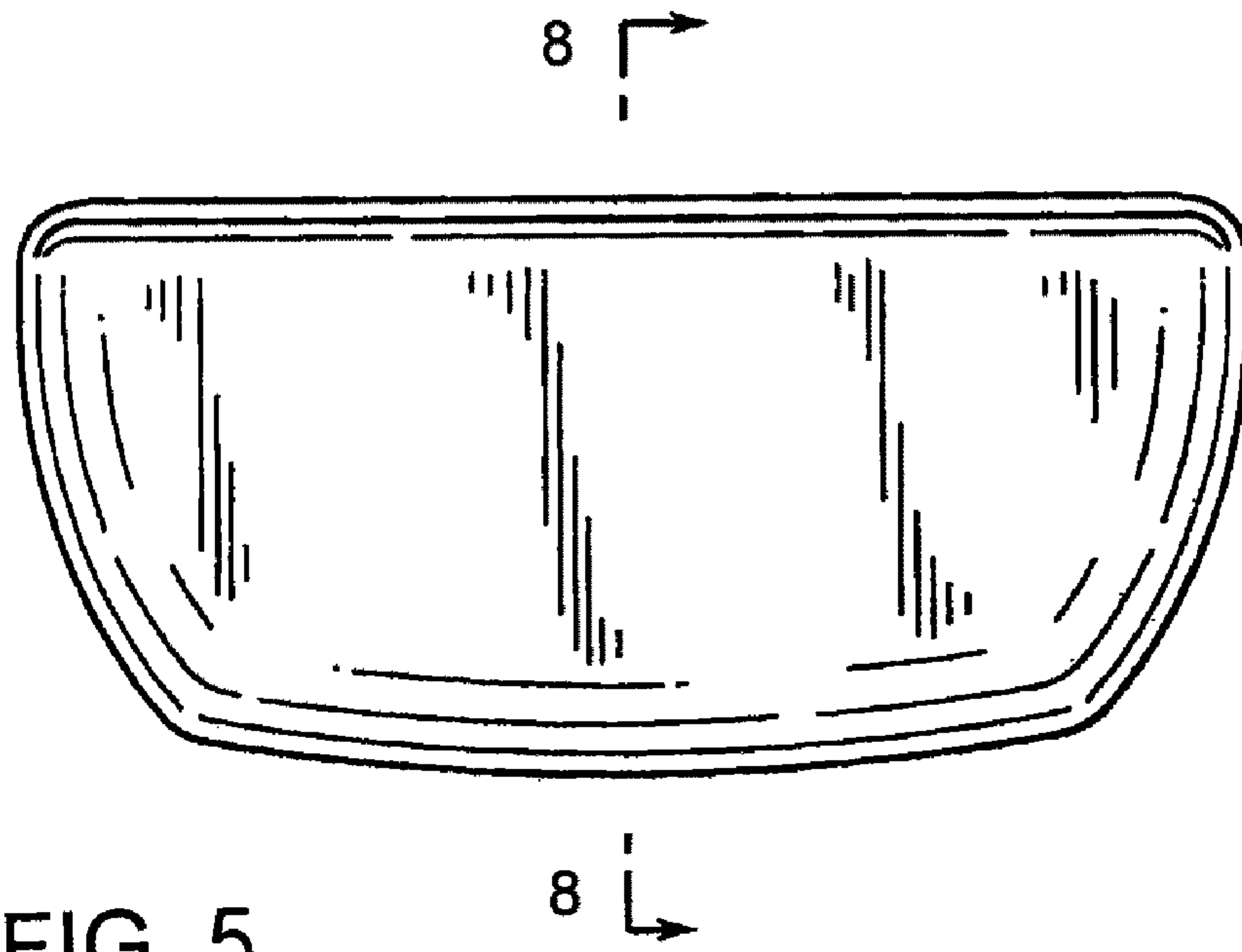


FIG. 4







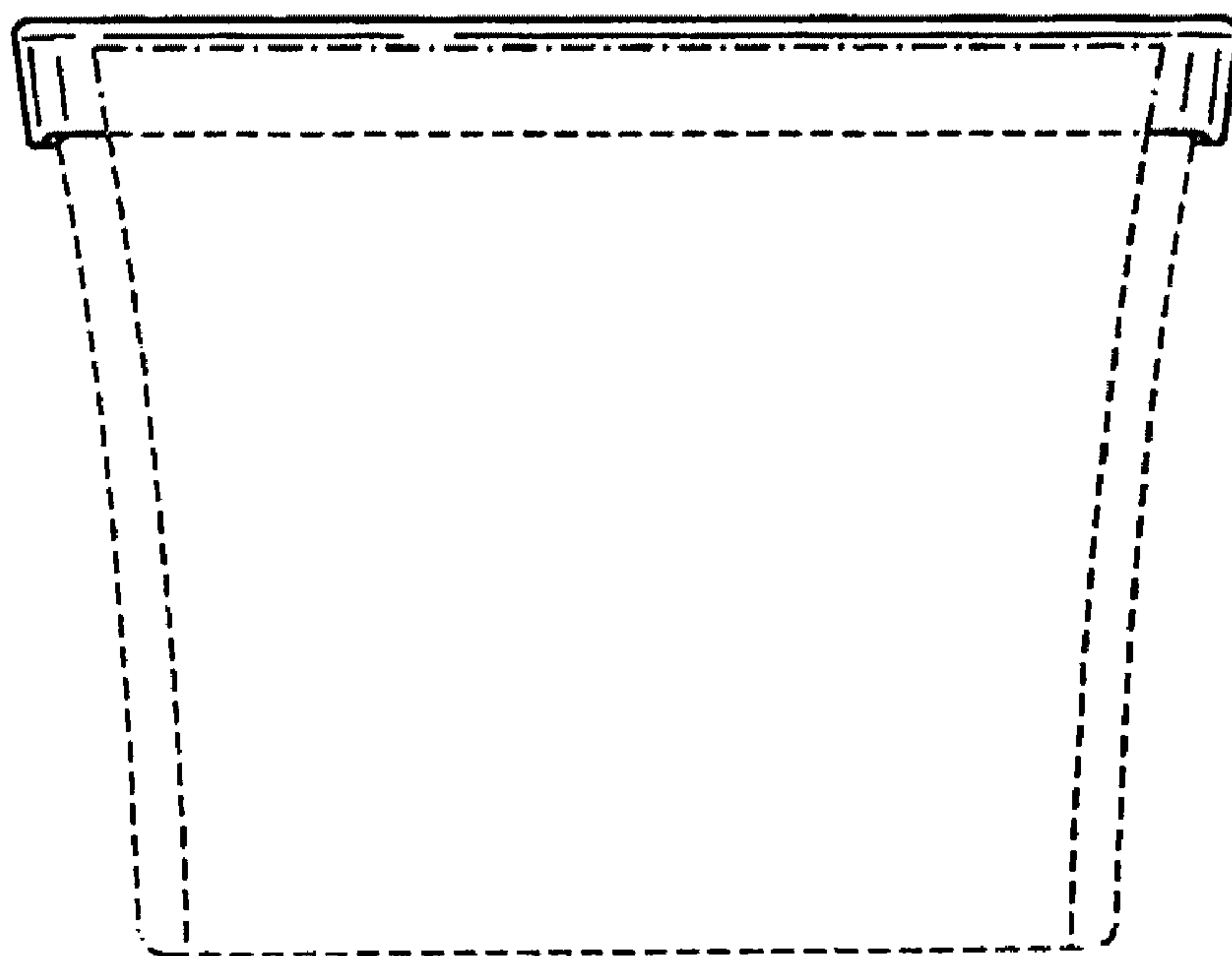


FIG. 7

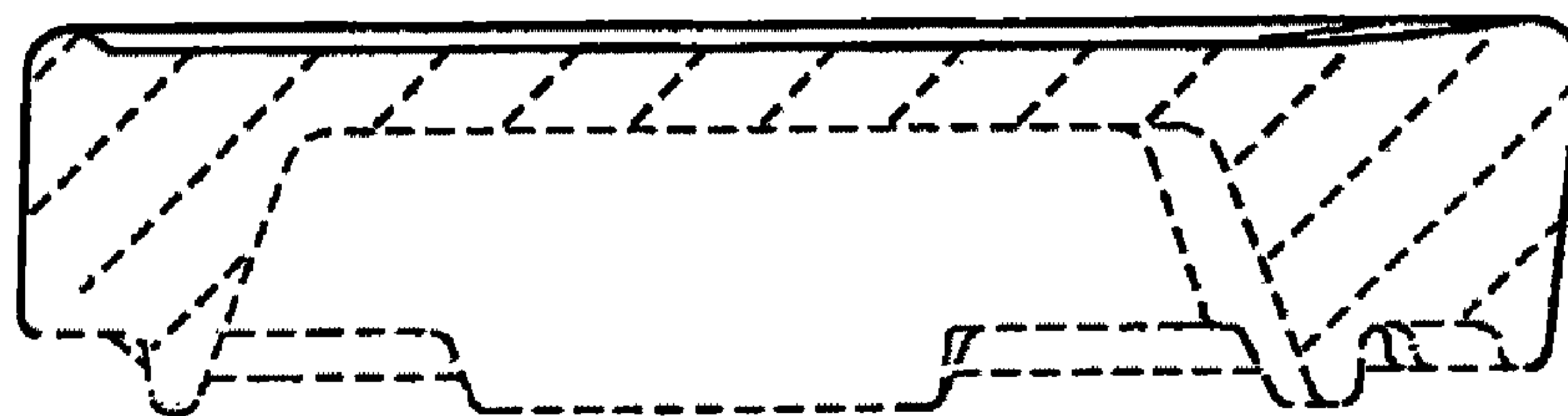


FIG. 8

FIG. 9

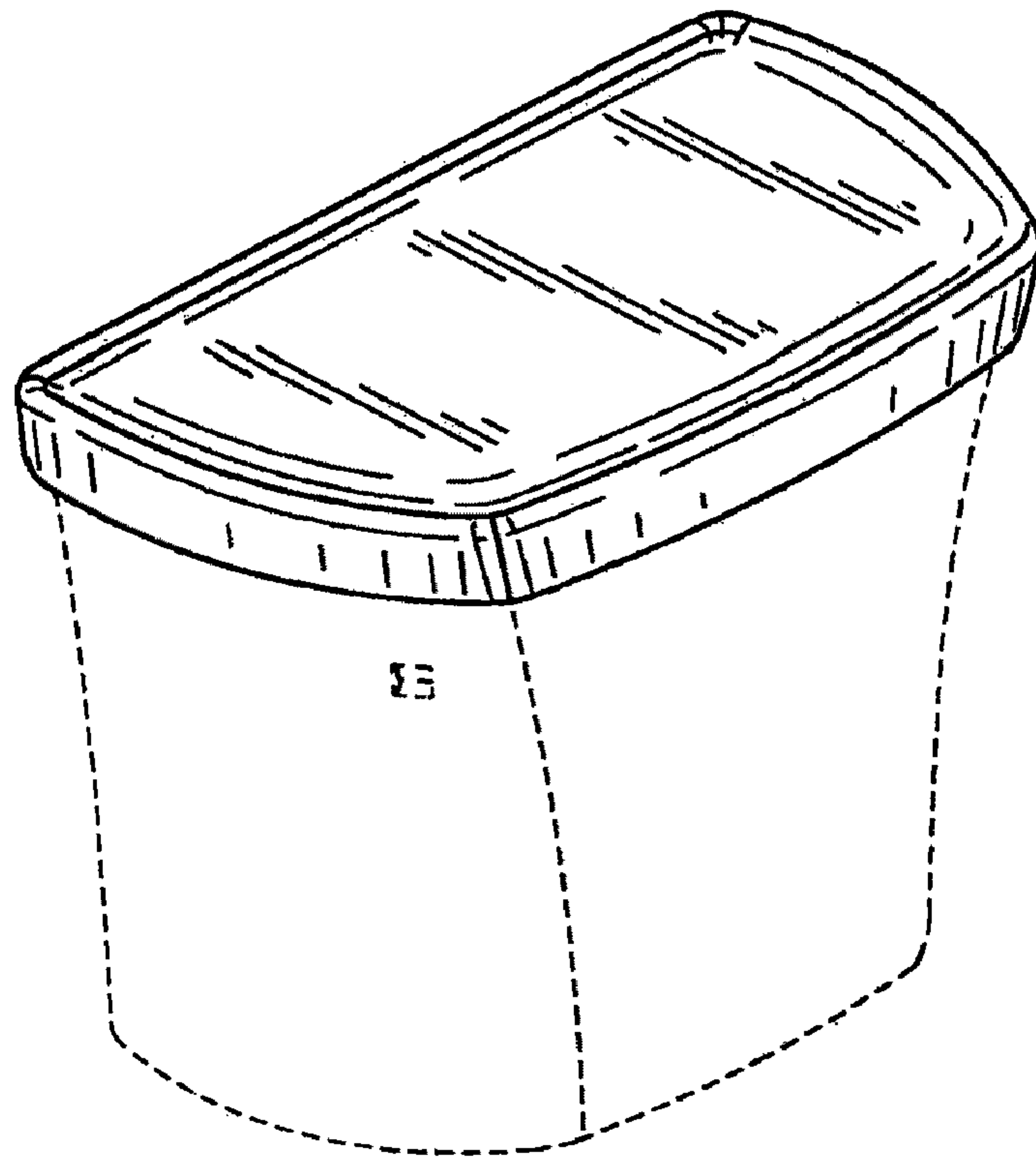


FIG. 10

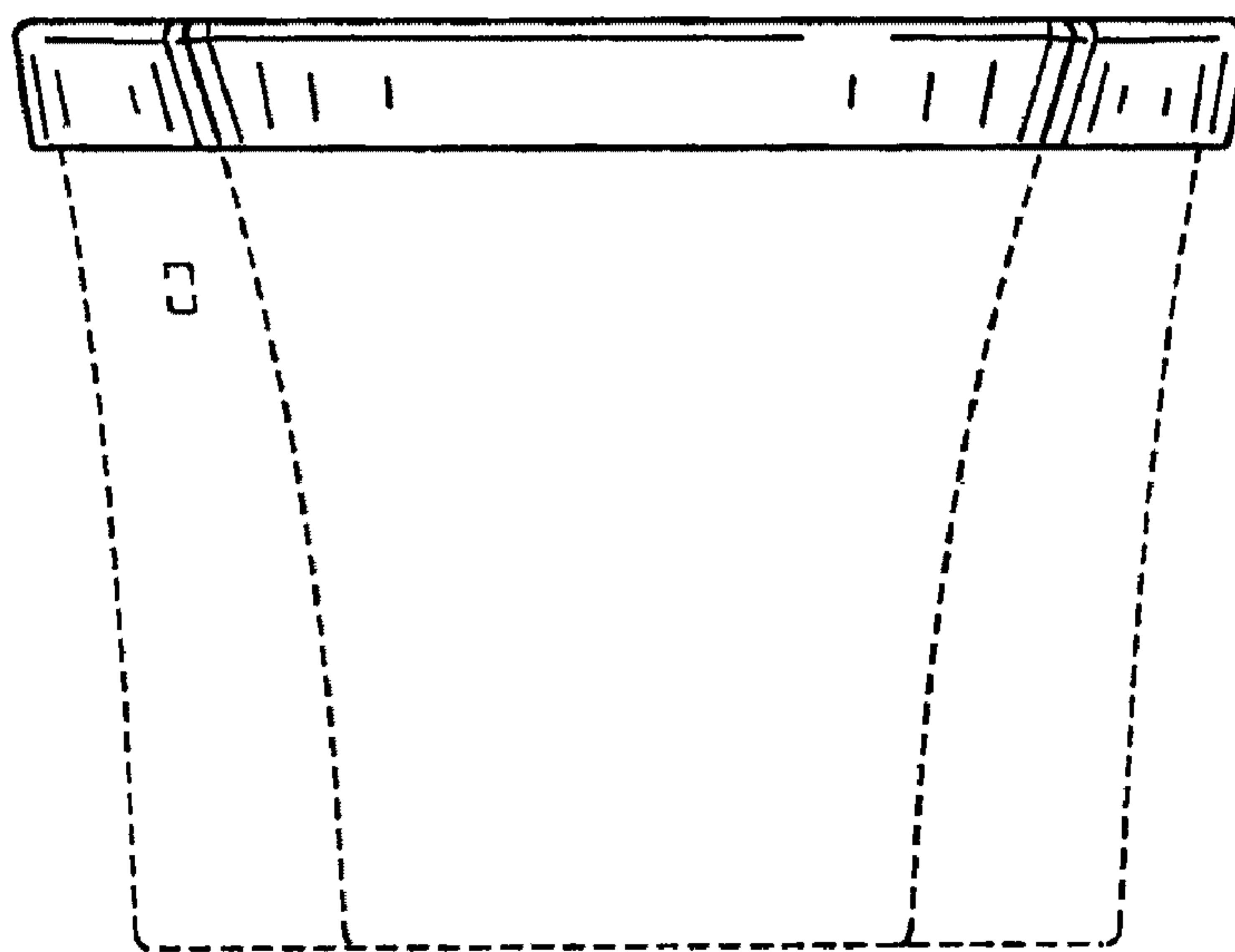


FIG. 11

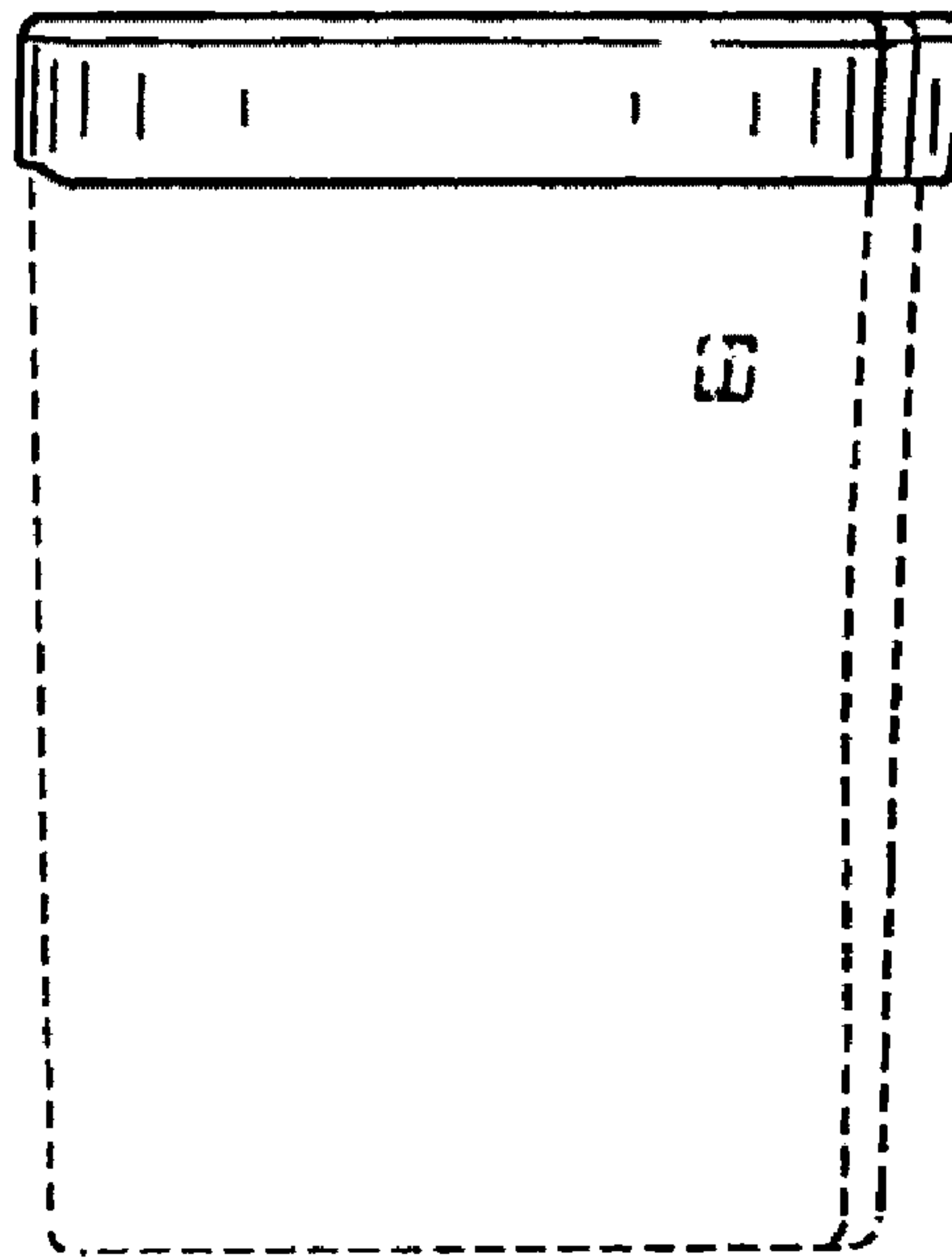
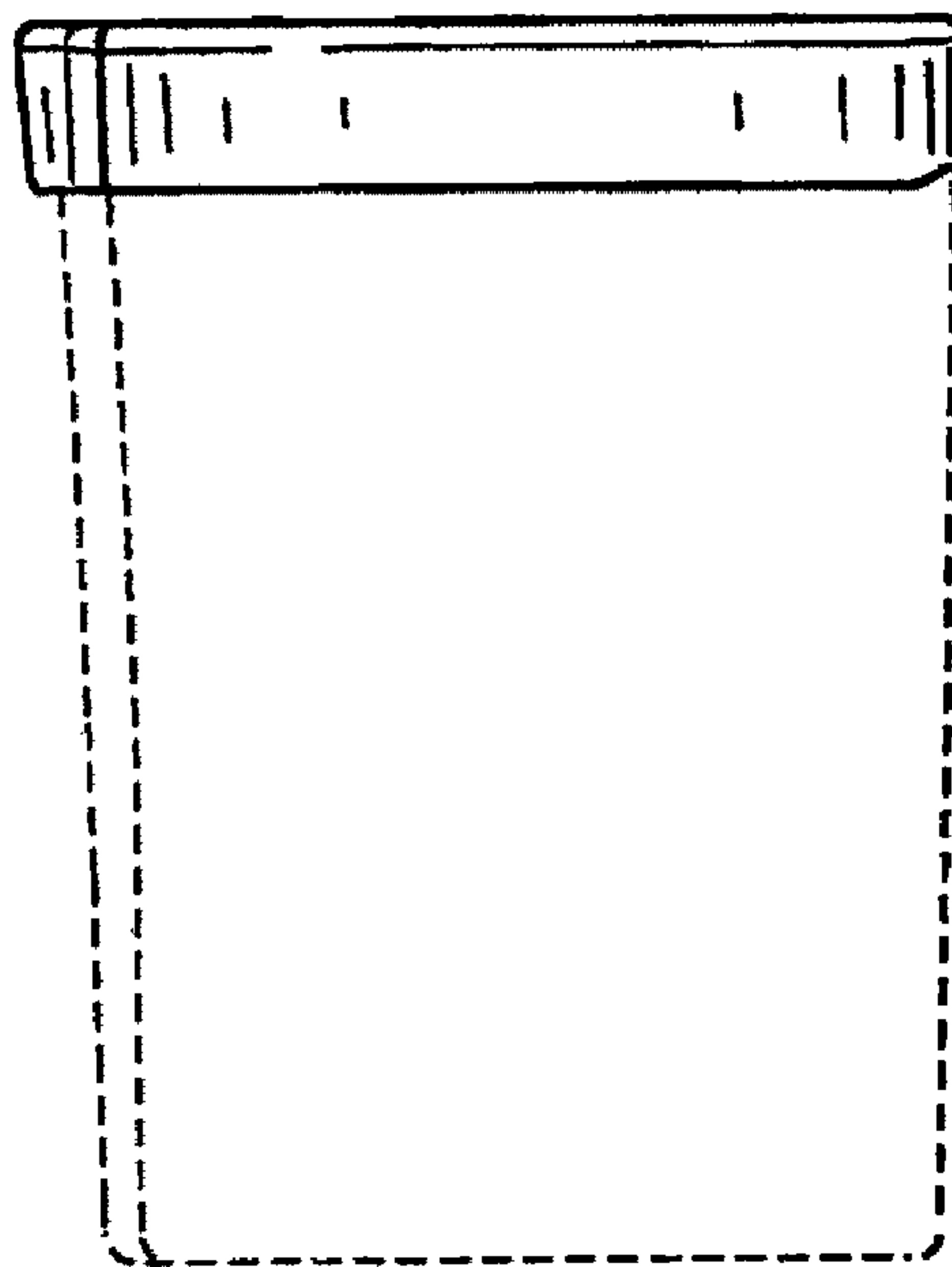


FIG. 12





16 ↗

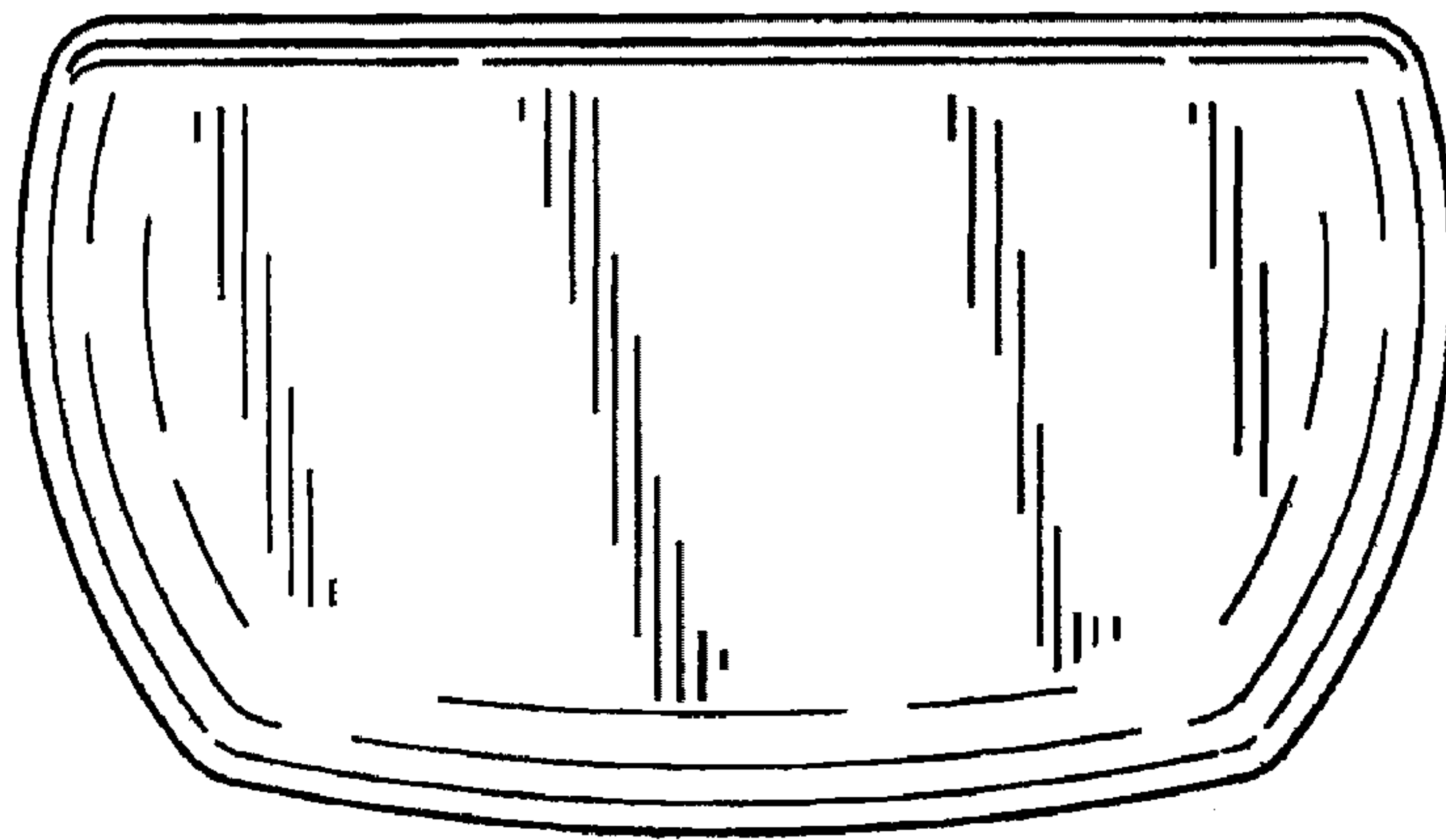


FIG. 13

16 ↘

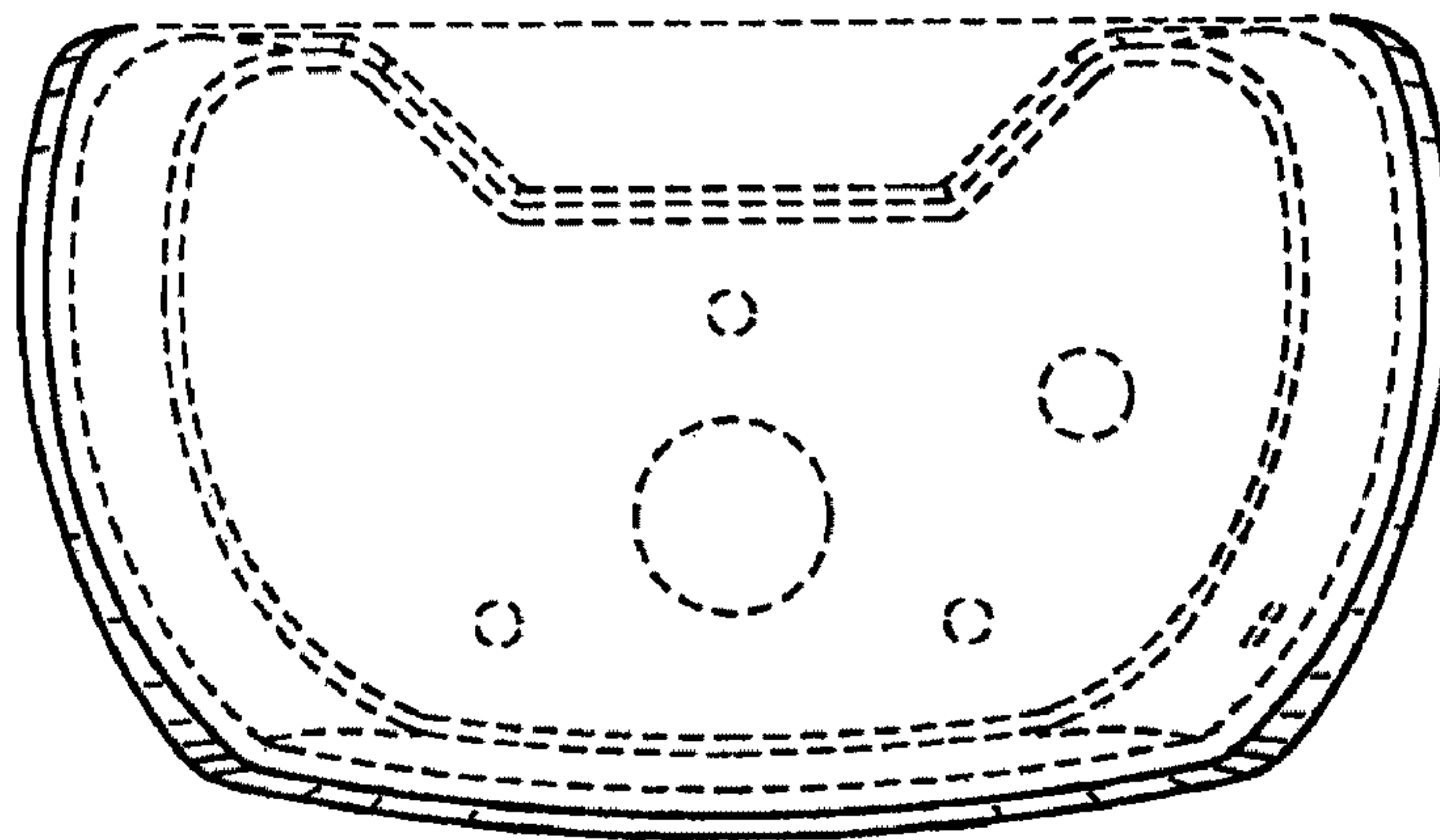


FIG. 14

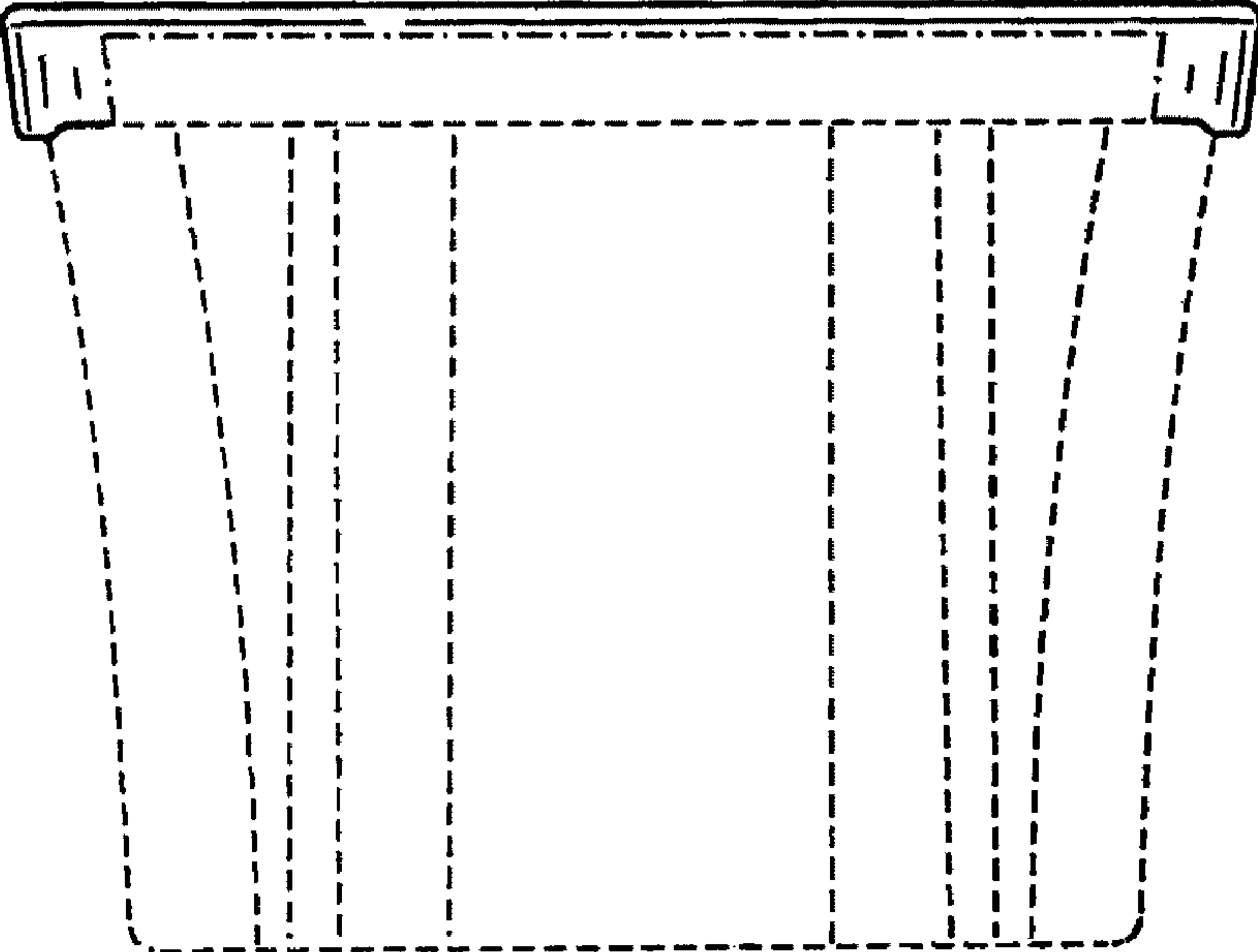


FIG. 15

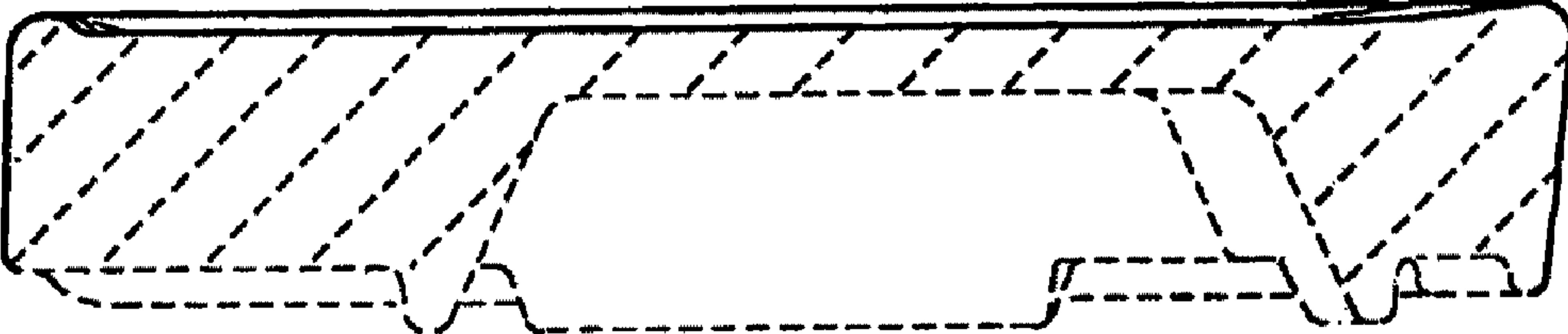


FIG. 16