



US00D649625S

(12) **United States Design Patent**  
**DeWitt et al.**

(10) **Patent No.:** **US D649,625 S**

(45) **Date of Patent:** **\*\* Nov. 29, 2011**

(54) **URINAL SEAL**

5,890,239 A \* 4/1999 Hite ..... 4/252.5  
5,996,134 A \* 12/1999 Senninger ..... 4/252.4

(Continued)

(75) Inventors: **Donald James DeWitt**, Davison, MI  
(US); **Anthony John Dipzinski**, Grand  
Blanc, MI (US)

*Primary Examiner* — T. Chase Nelson

*Assistant Examiner* — Eric Goodman

(73) Assignee: **Fernco, Inc.**, Davison, MI (US)

(74) *Attorney, Agent, or Firm* — Dickinson Wright PLLC

(\*\*) Term: **14 Years**

(57) **CLAIM**

The ornamental design for a urinal seal, as shown and described.

(21) Appl. No.: **29/353,290**

**DESCRIPTION**

(22) Filed: **Jan. 6, 2010**

(51) **LOC (9) Cl.** ..... **23-01**

(52) **U.S. Cl.** ..... **D23/269**

(58) **Field of Classification Search** ..... D23/261,  
D23/269; 4/252.1, 252.2, 252.3, 252.4, 252.6  
See application file for complete search history.

This design patent application is related to Design Patent Applications bearing U.S. patent application Ser. Nos. 12/353,286, 29/353,294, and 29/353,297 and also Utility Patent Application bearing U.S. patent application Ser. No. 29/683,331, which are filed on even date herewith.

FIG. 1 is a rear perspective view of a urinal seal;

FIG. 2 is a side view thereof;

FIG. 3 is a top view thereof;

FIG. 4 is a bottom view thereof;

FIG. 5 is a cross section view along Line 5-5 as shown in FIG. 2 thereof.

FIG. 6 is a rear perspective view of a urinal seal;

FIG. 7 is a side view thereof;

FIG. 8 is a top view thereof;

FIG. 9 is a bottom view thereof;

FIG. 10 is a cross section view along Line 10-10 as shown in FIG. 7 thereof;

FIG. 11 is a rear perspective view of a urinal seal;

FIG. 12 is a side view thereof;

FIG. 13 is a top view thereof;

FIG. 14 is a rear view thereof;

FIG. 15 is a cross section view along Line 15-15 as shown in FIG. 12 thereof;

FIG. 16 is a rear perspective of a urinal seal;

FIG. 17 is a side view thereof;

FIG. 18 is a top view thereof;

FIG. 19 is a rear view thereof; and,

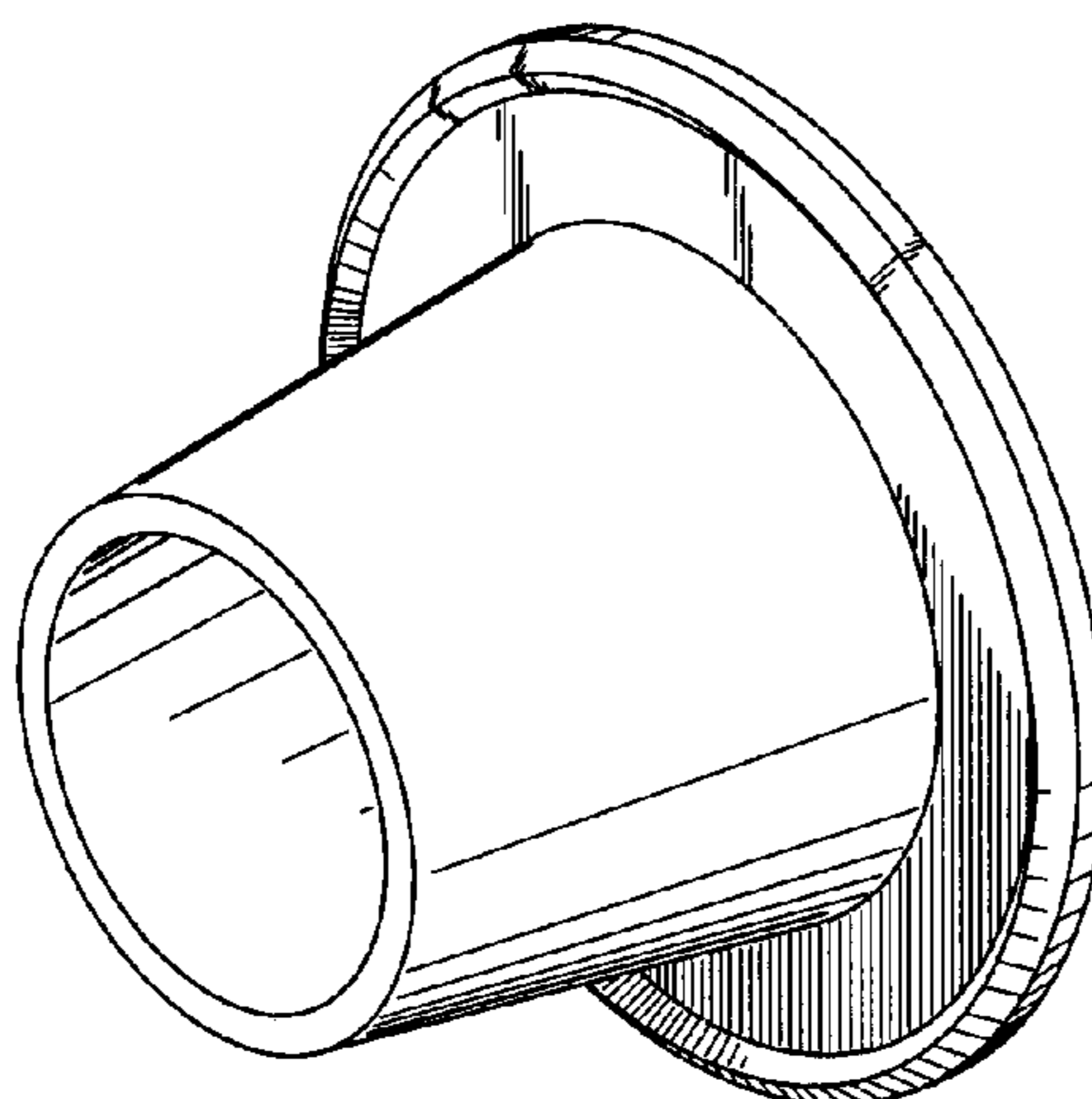
FIG. 20 is a cross section view along Line 20-20 as shown in FIG. 17 thereof.

(56) **References Cited**

U.S. PATENT DOCUMENTS

410,848	A *	9/1889	McHugh	277/622
454,922	A *	6/1891	Taylor	285/210
572,575	A *	12/1896	Scott	4/424
1,040,823	A *	10/1912	Watrous	4/252.2
1,149,269	A *	8/1915	Klindt	285/56
1,333,368	A *	3/1920	Auer	4/252.5
2,750,216	A *	6/1956	Thies	4/252.6
2,837,750	A *	6/1958	Robinson	4/252.5
3,037,212	A *	6/1962	Kleinhof	4/252.1
3,224,014	A *	12/1965	Pietrzak	4/252.6
3,319,268	A *	5/1967	Blumenkranz	4/252.4
3,400,411	A *	9/1968	Harvey	4/252.6
3,821,820	A *	7/1974	Thompson	4/252.6
3,967,836	A *	7/1976	Izzi, Sr.	285/12
4,090,267	A *	5/1978	Cuschera	4/252.5
D254,928	S *	5/1980	Mathis	D23/261
D256,499	S *	8/1980	Foreman	D23/269
D269,454	S *	6/1983	Houseman	D25/199
4,423,526	A *	1/1984	Izzi, Sr.	4/252.5
D273,413	S *	4/1984	McMurray	D23/269
4,984,308	A *	1/1991	Handal	4/252.6
5,291,619	A *	3/1994	Adorjan	4/252.6
D363,771	S *	10/1995	Mathers	D23/269
D385,017	S *	10/1997	Daroff	D23/261
5,730,415	A *	3/1998	Gronwick	251/40
5,862,533	A *	1/1999	Johnson et al.	4/252.4

**1 Claim, 4 Drawing Sheets**



# US D649,625 S

Page 2

---

## U.S. PATENT DOCUMENTS

D435,090	S	*	12/2000	Stout, Jr. ....	D23/269						
6,327,717	B1	*	12/2001	Johnson et al. ....	4/252.4						
D454,177	S	*	3/2002	Tracy .....	D23/261						
6,394,505	B1	*	5/2002	Schmucki et al. ....	285/148.26						
D465,061	S	*	10/2002	Guthrie .....	D26/138						
6,691,331	B2	*	2/2004	Gallacher et al. ....	4/252.5						
						7,240,378	B2	*	7/2007	Long et al. ....	4/252.1
						2003/0126676	A1	*	7/2003	Gallacher et al. ....	4/252.5
						2004/0098798	A1	*	5/2004	Atkins et al. ....	4/252.6
						2004/0163165	A1	*	8/2004	Ortiz et al. ....	4/252.5
						2005/0060795	A1	*	3/2005	Long et al. ....	4/252.4
						2005/0283889	A1	*	12/2005	Flushing .....	4/252.1

\* cited by examiner

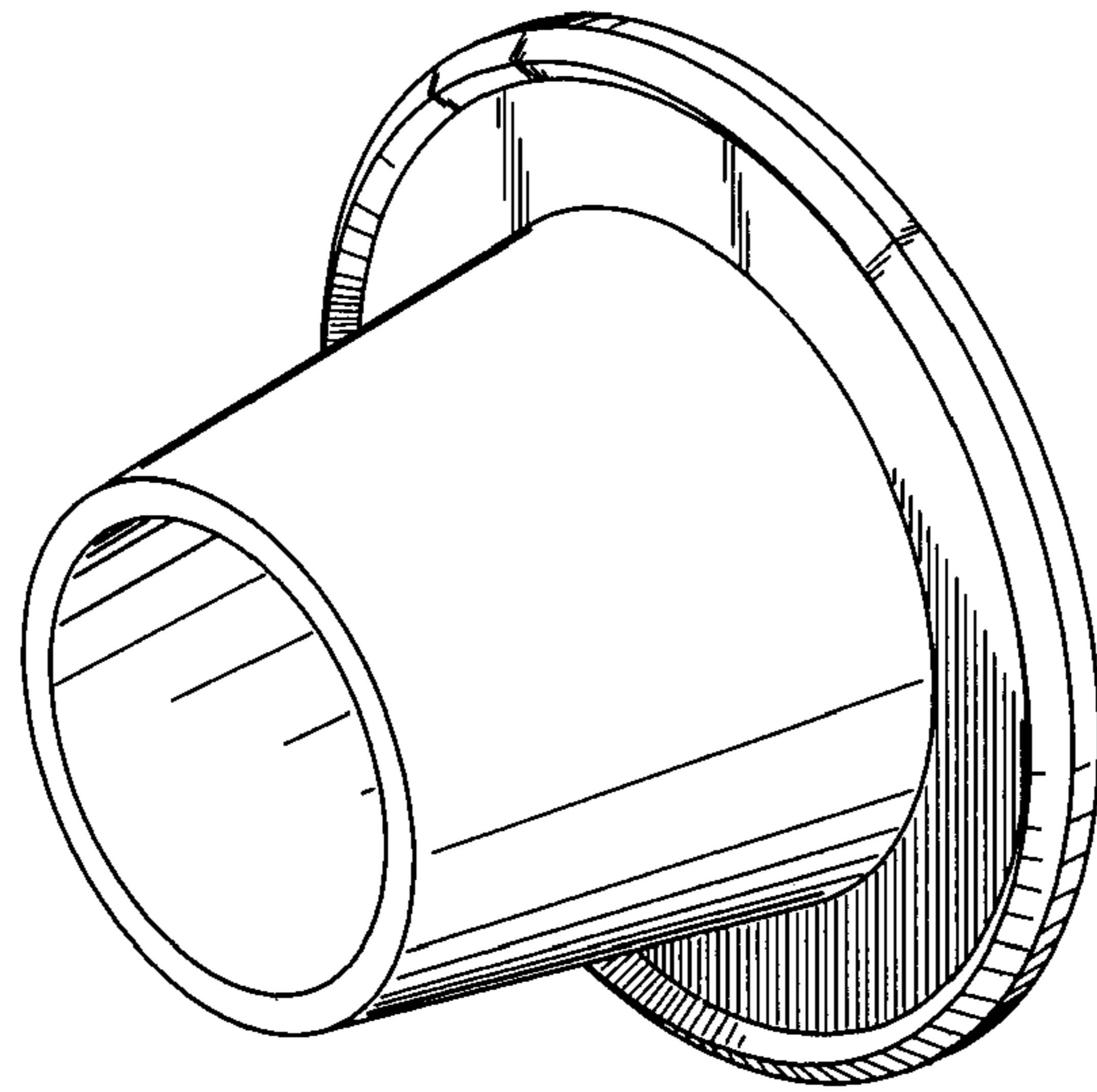


Fig. 1

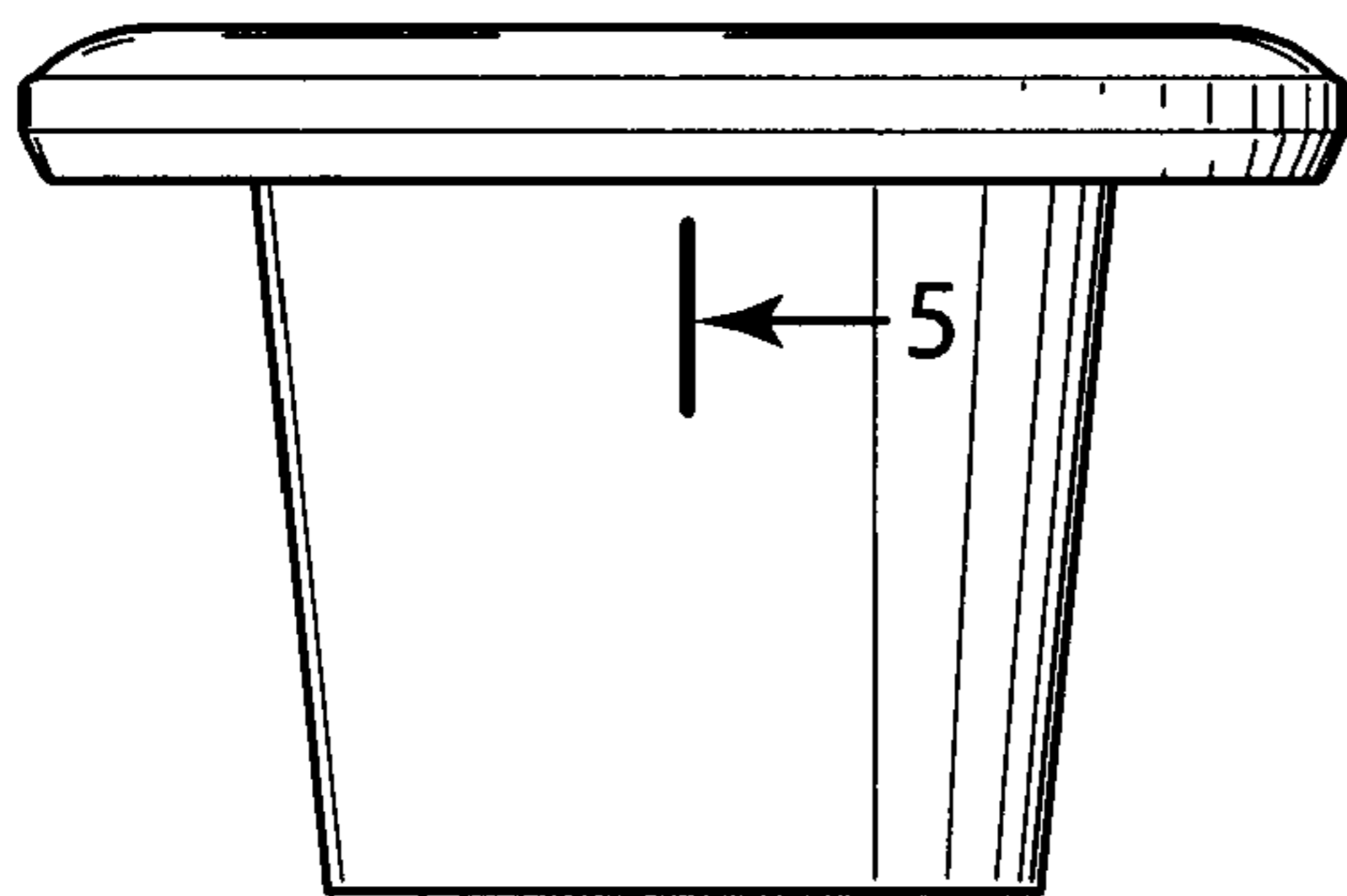


Fig. 2

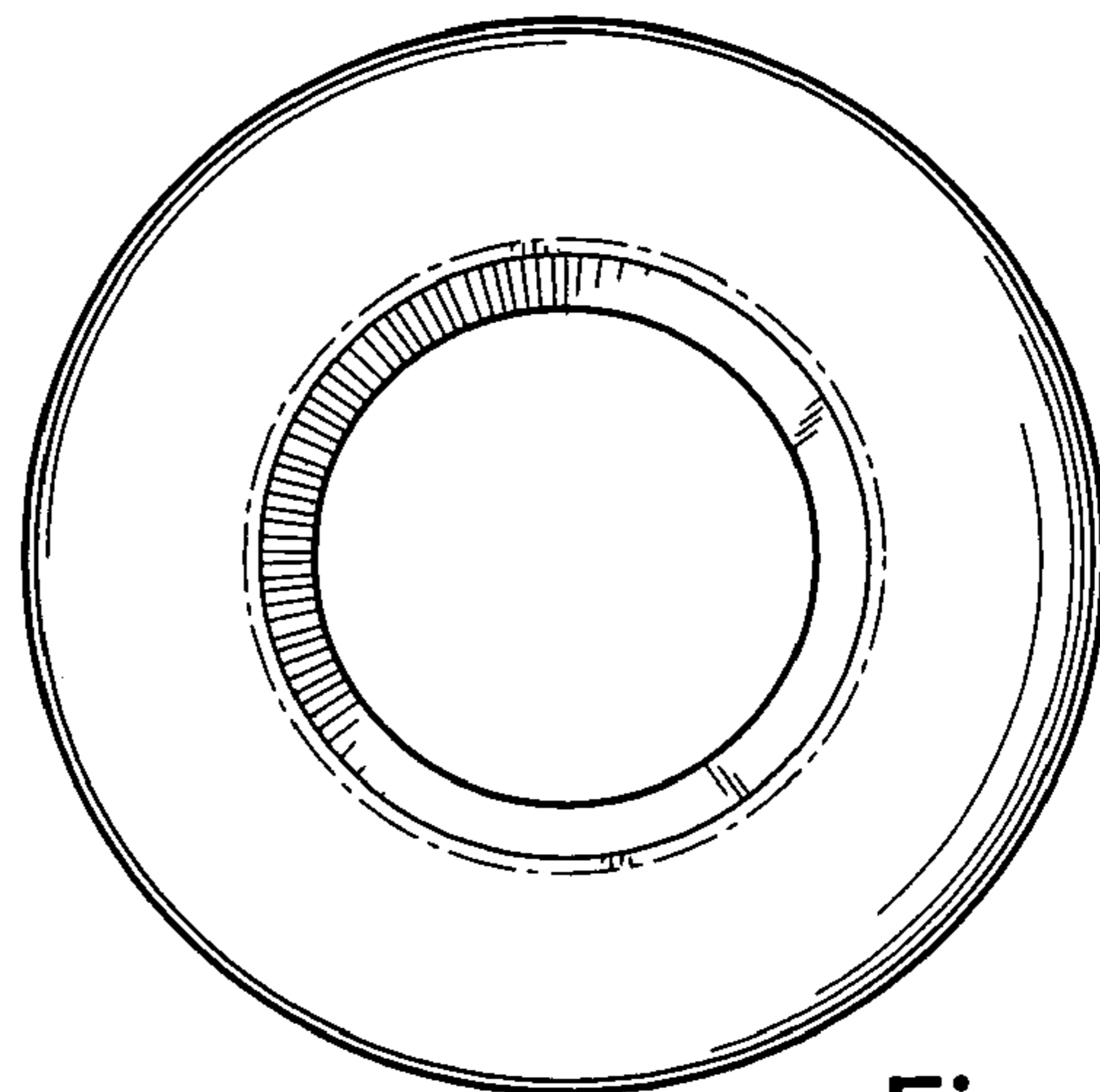


Fig. 3

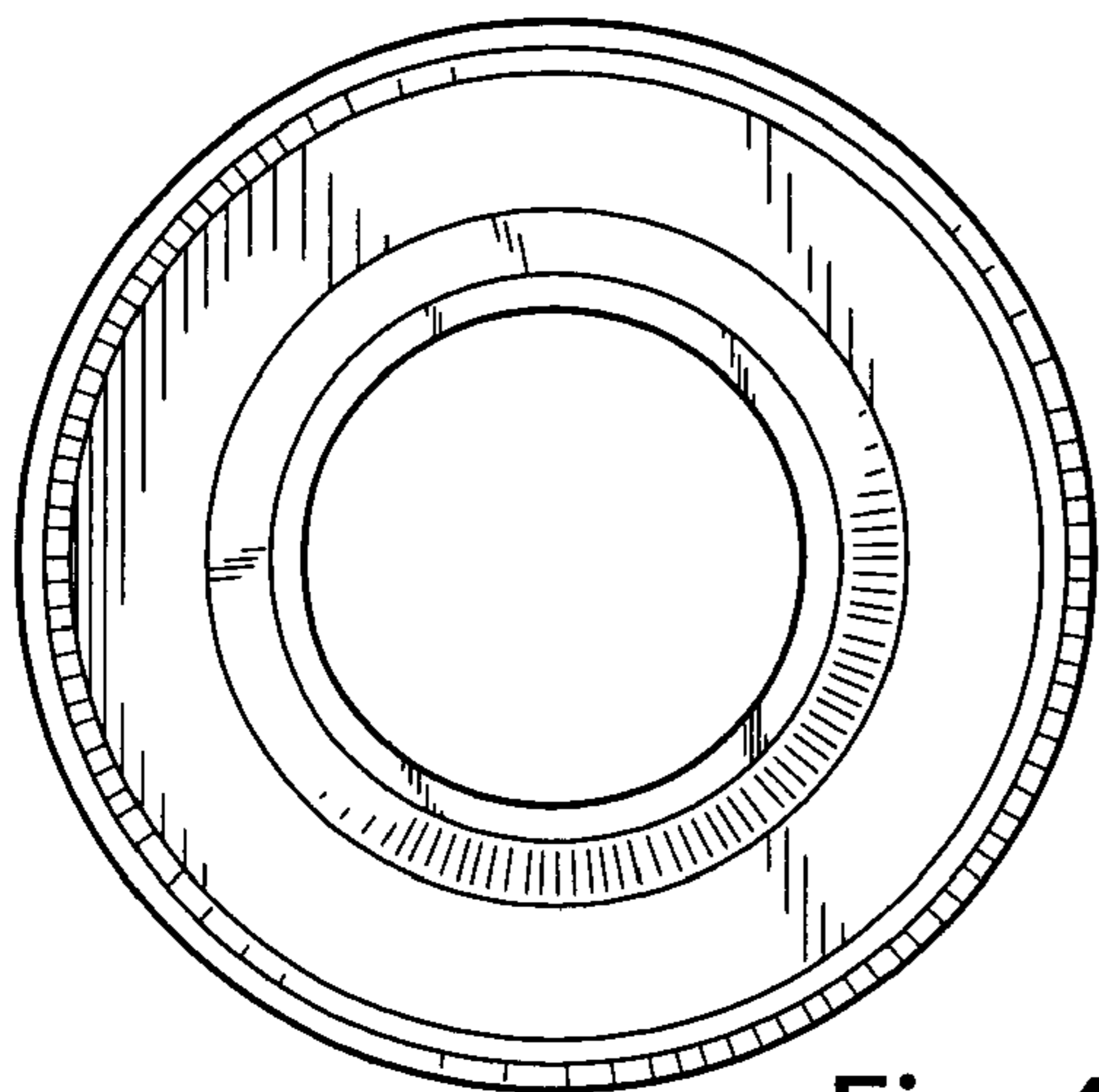


Fig. 4

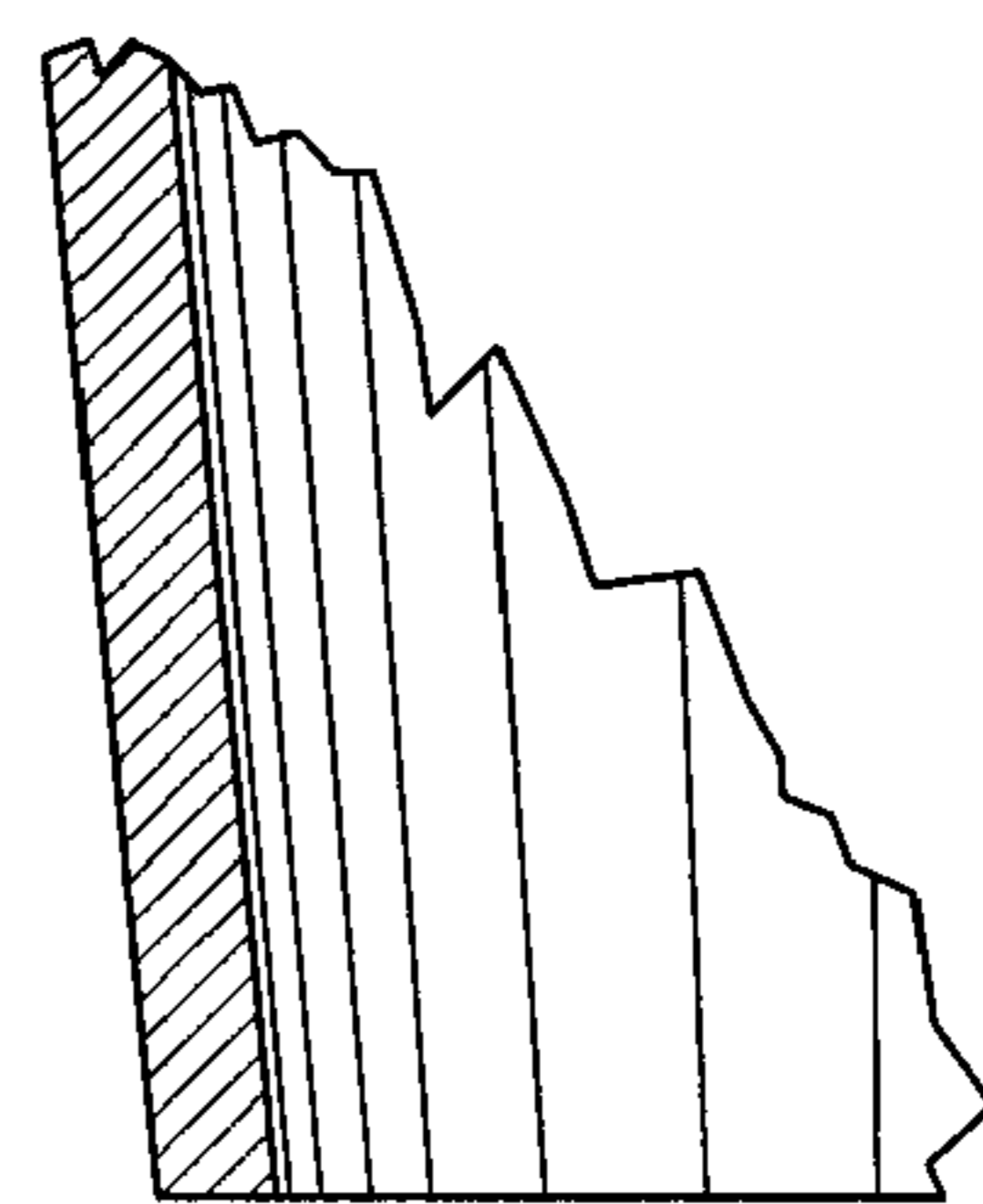


Fig. 5

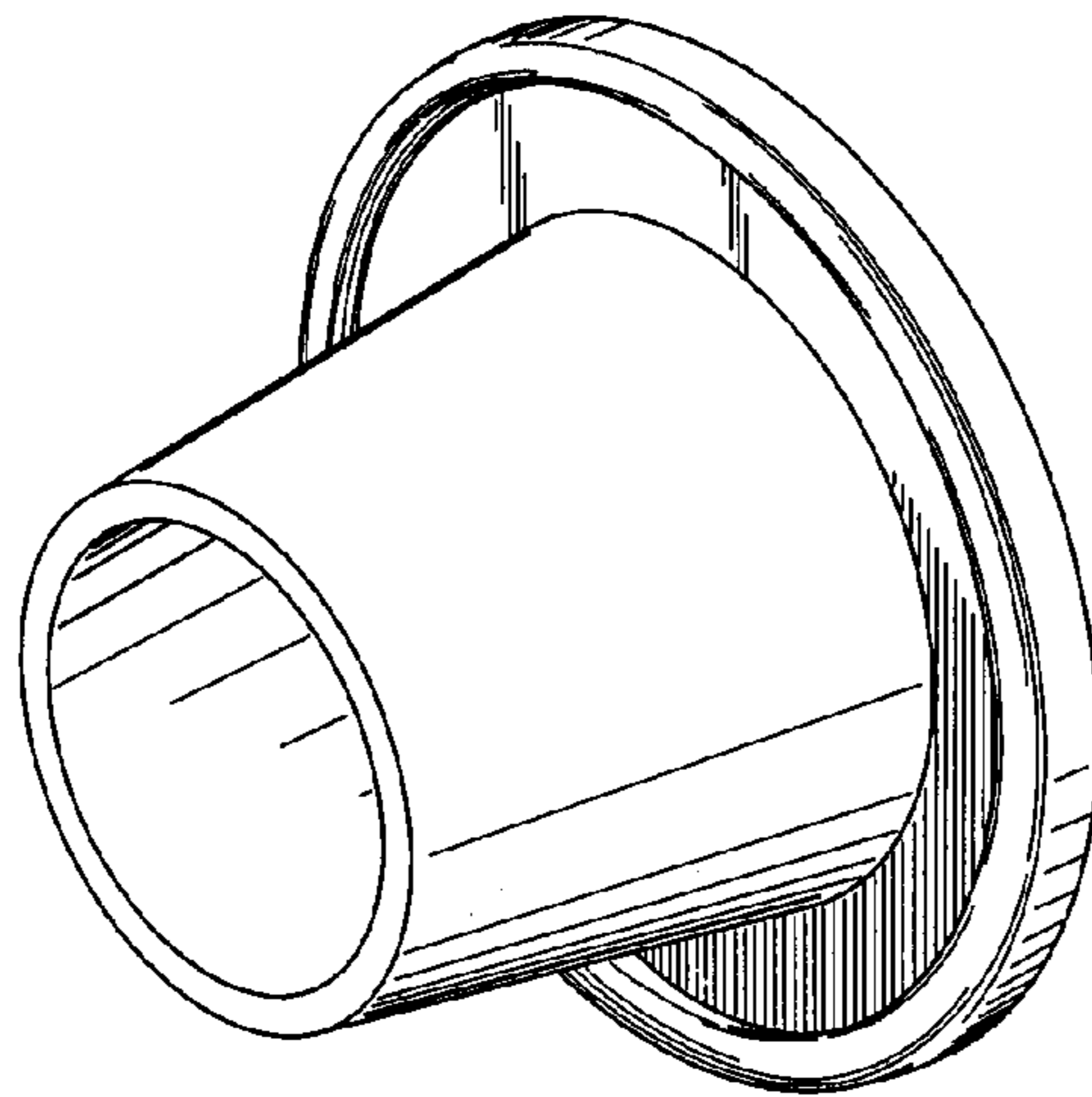


Fig. 6

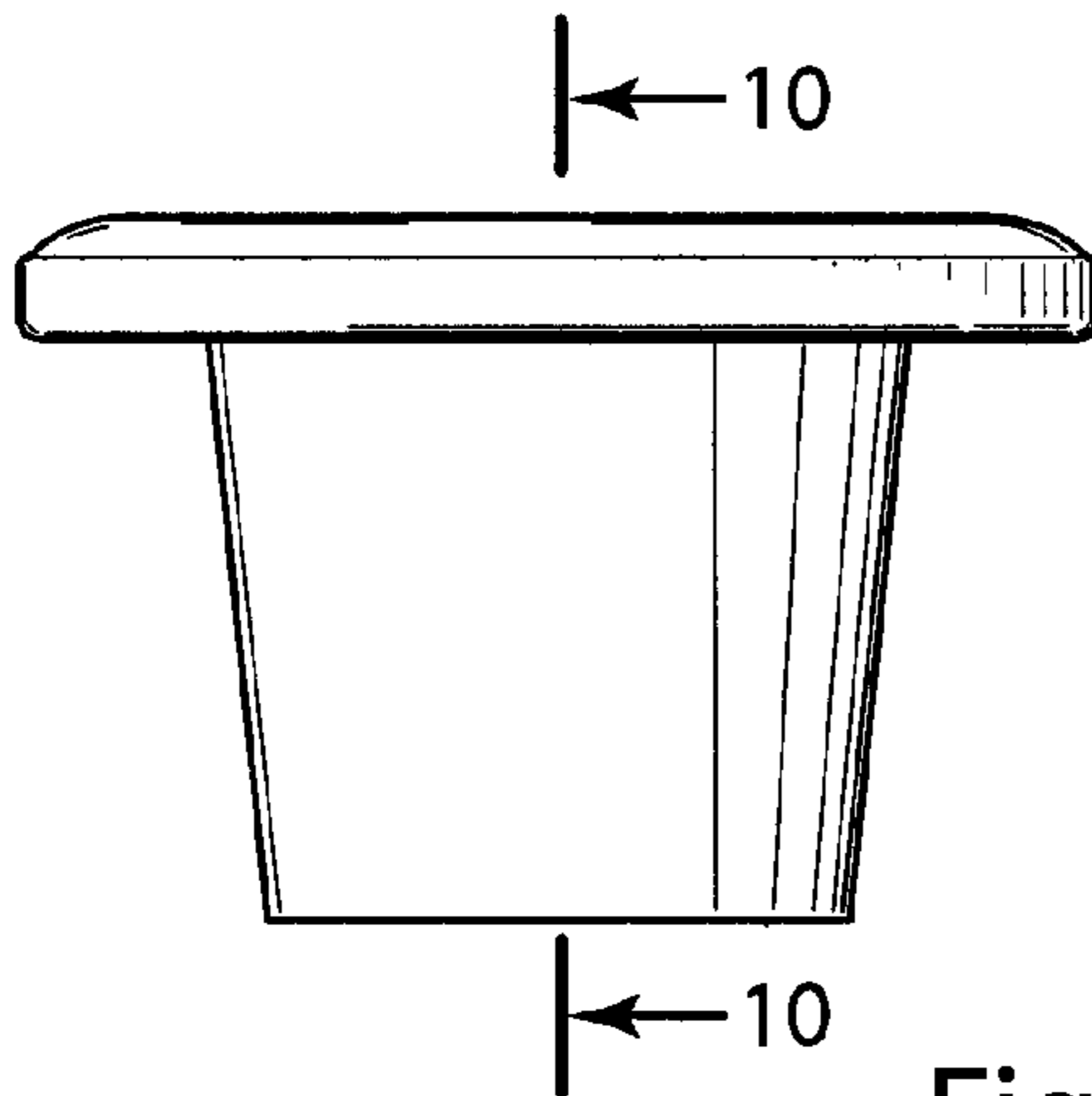


Fig. 7

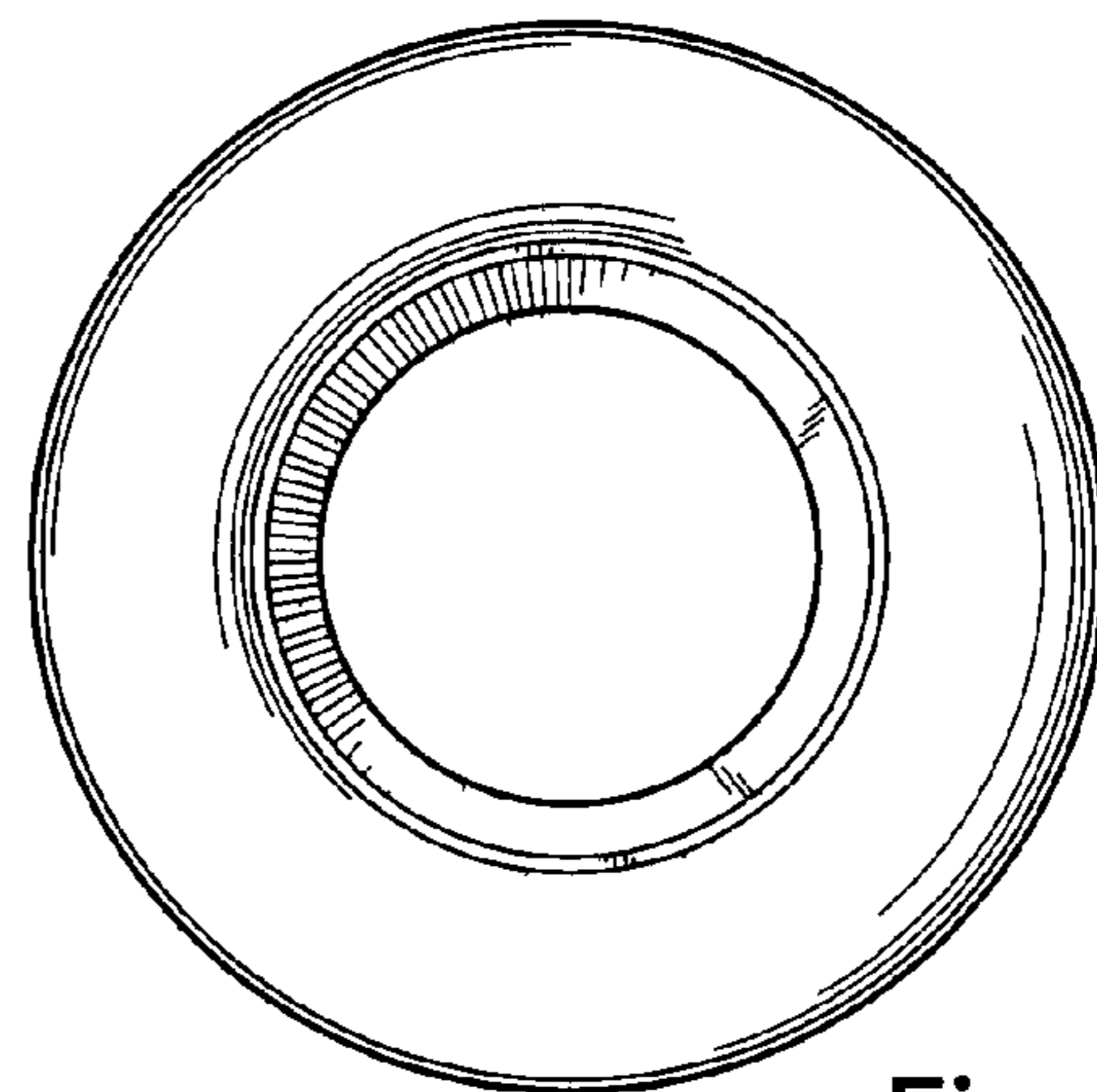


Fig. 8

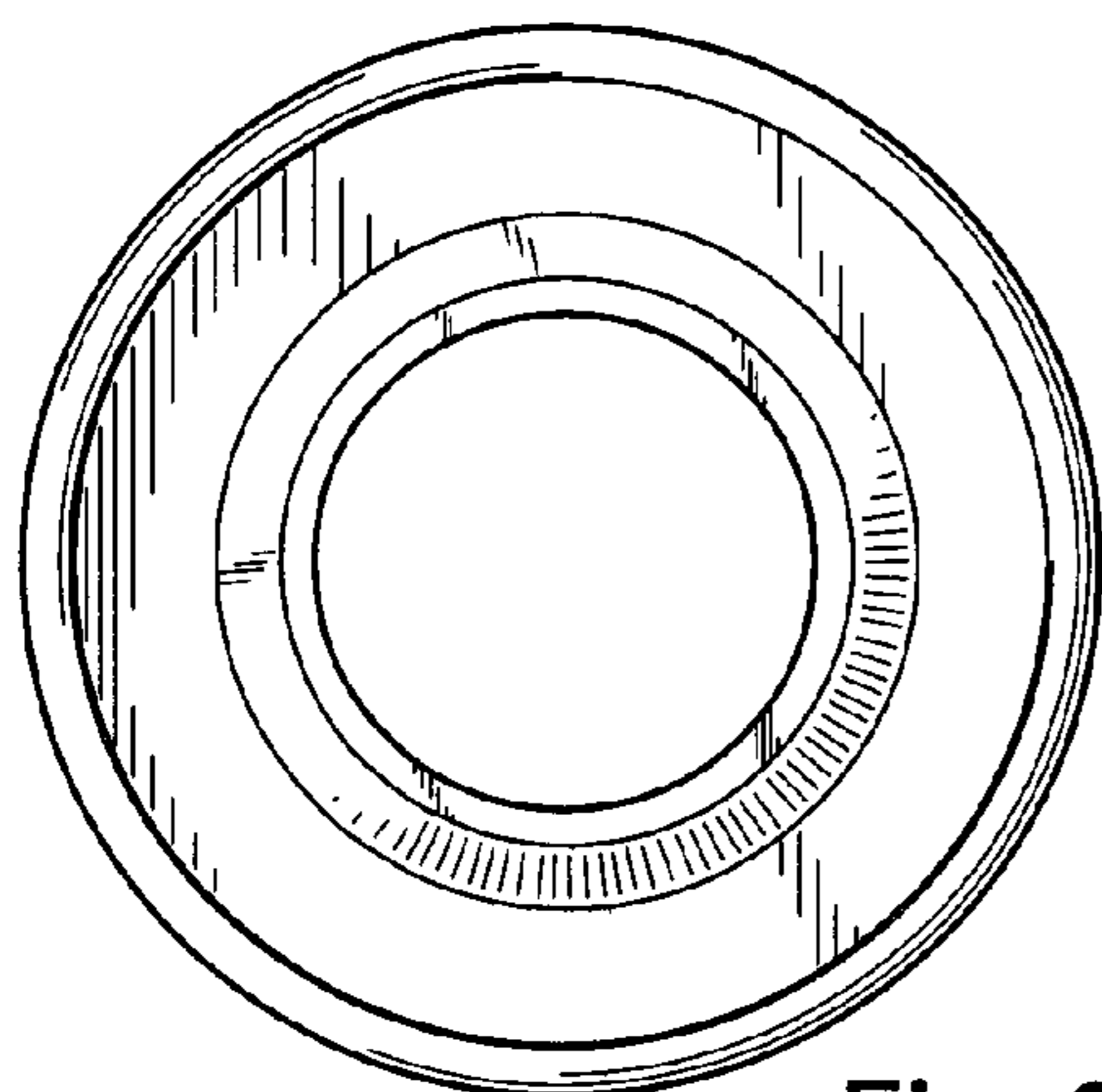


Fig. 9

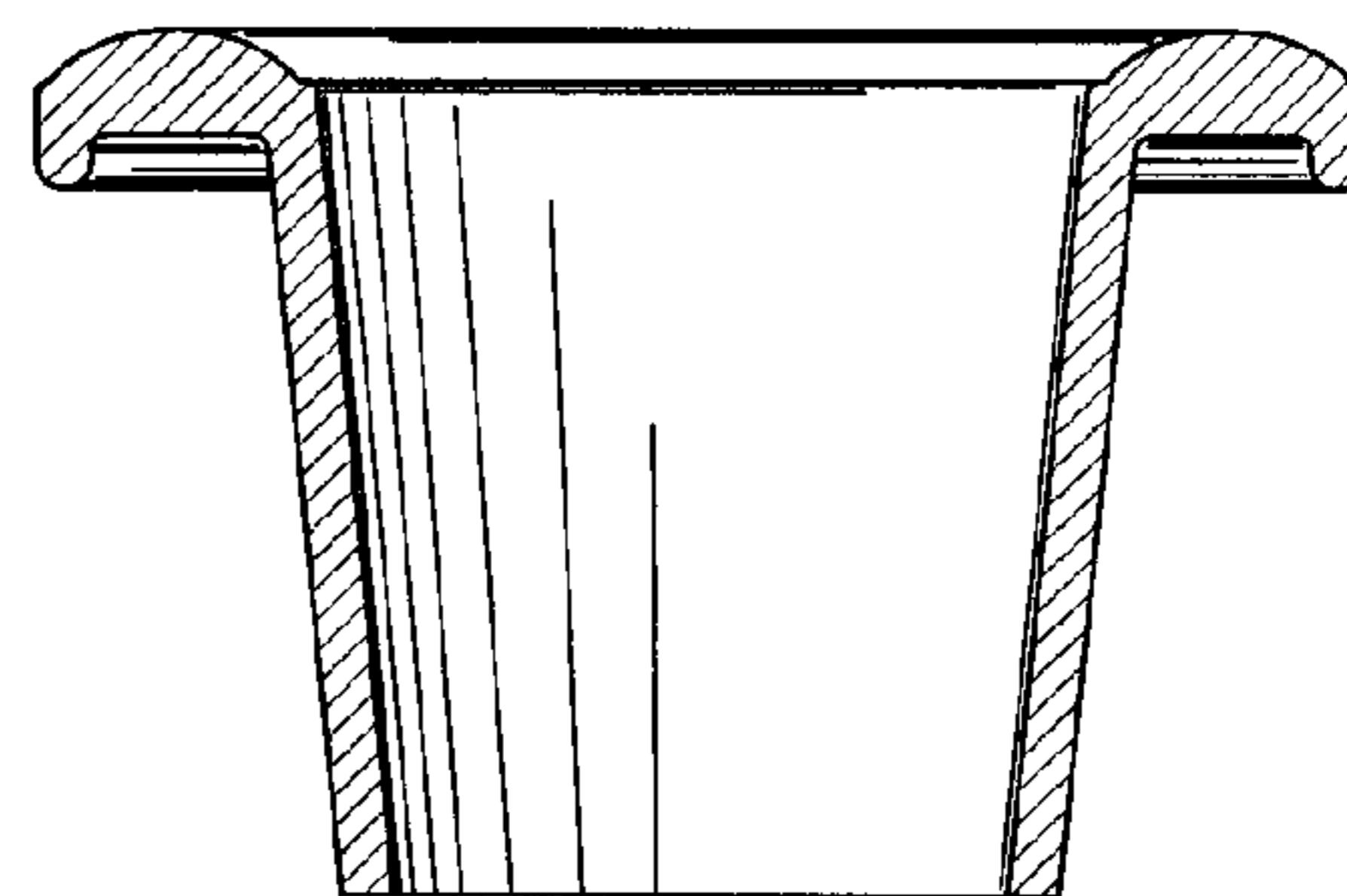


Fig. 10

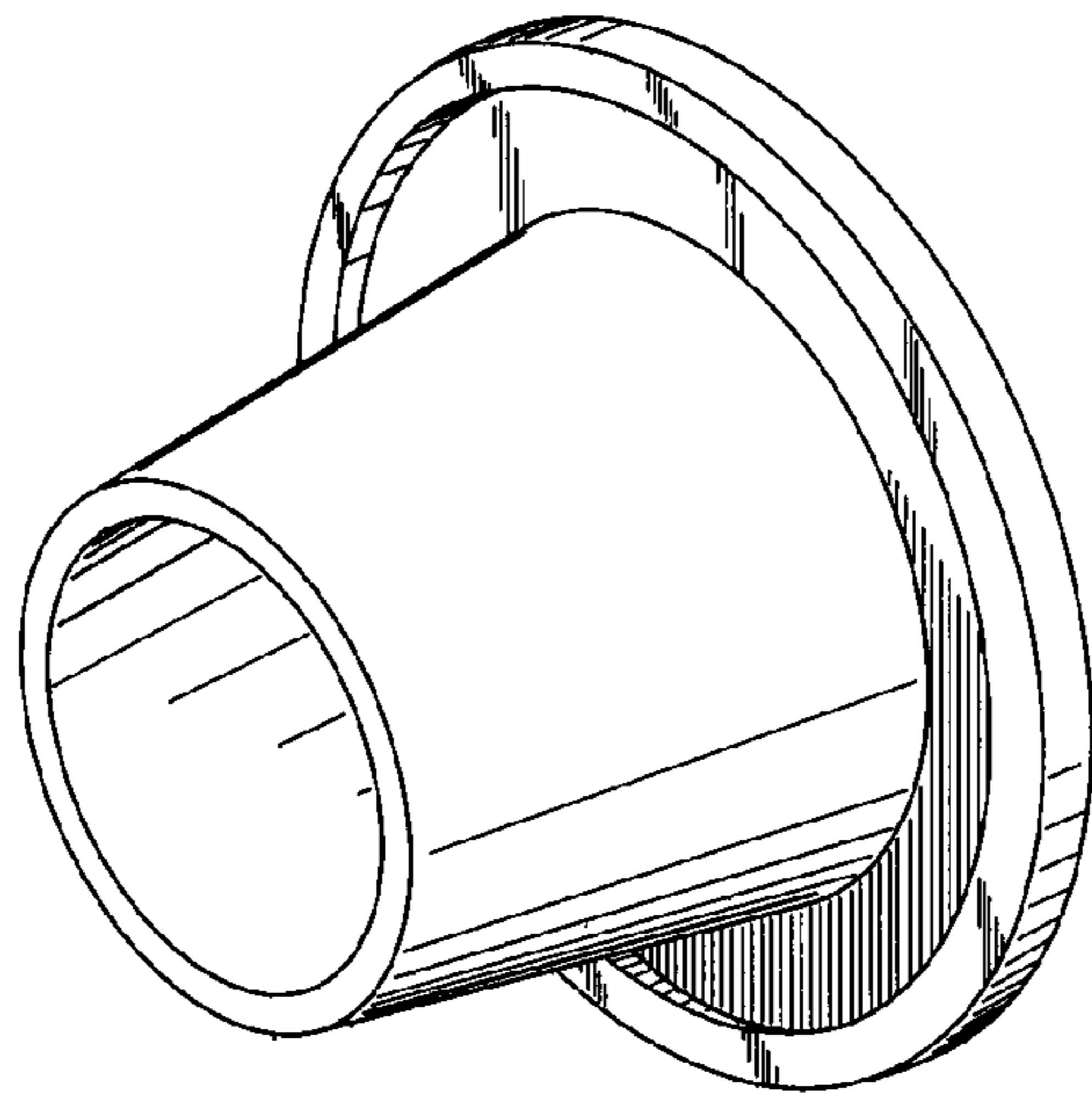


Fig. 11

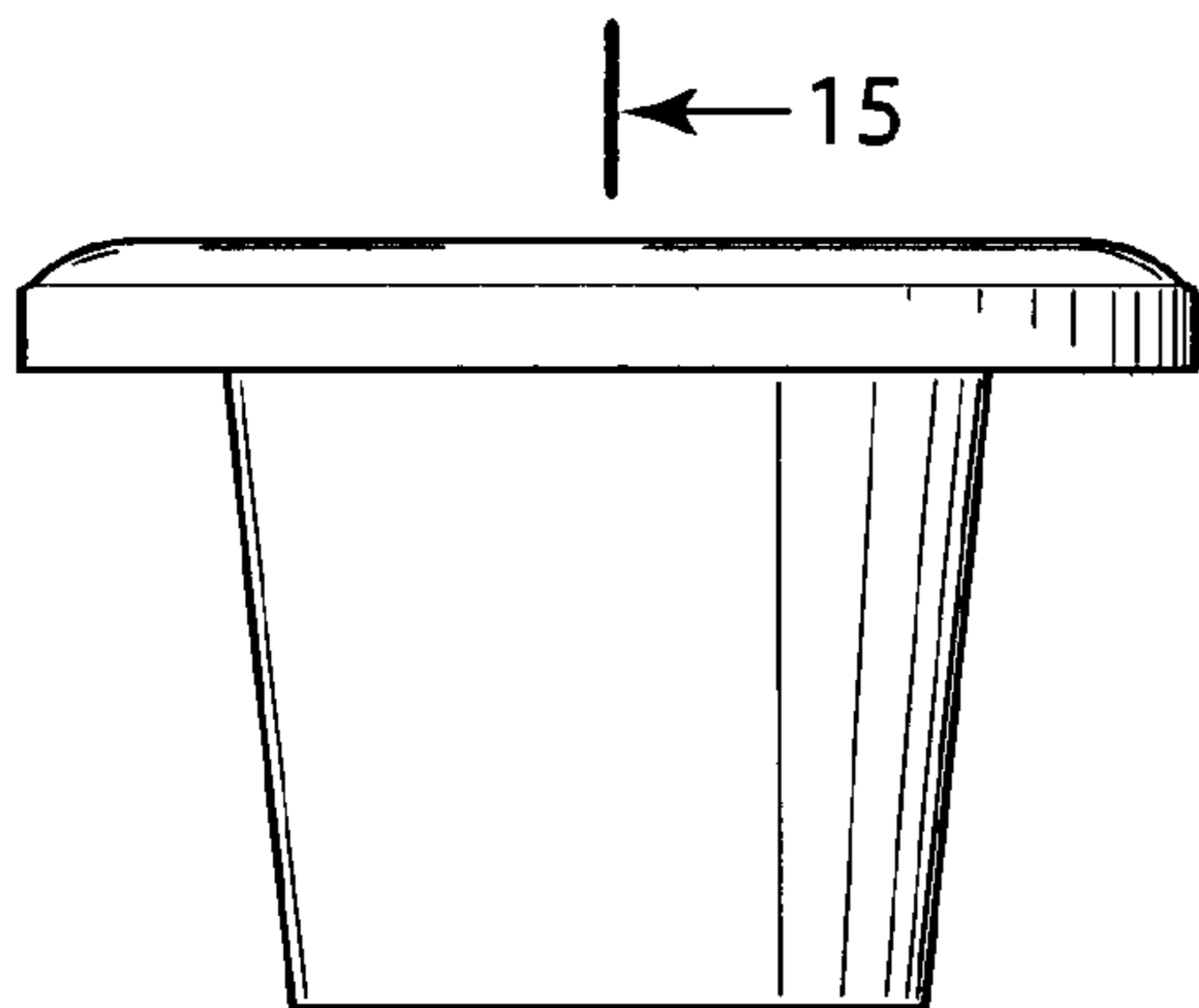


Fig. 12

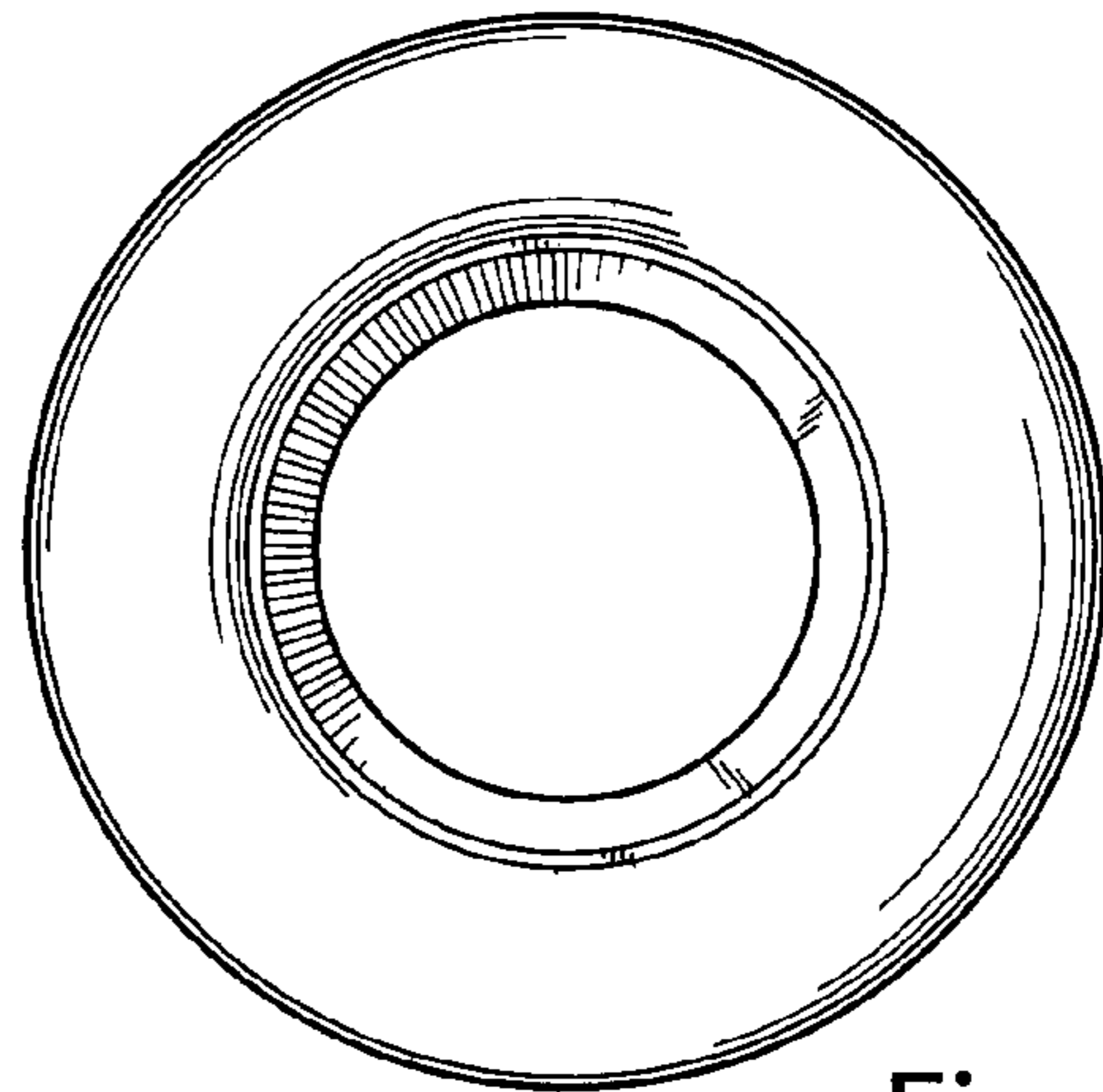


Fig. 13

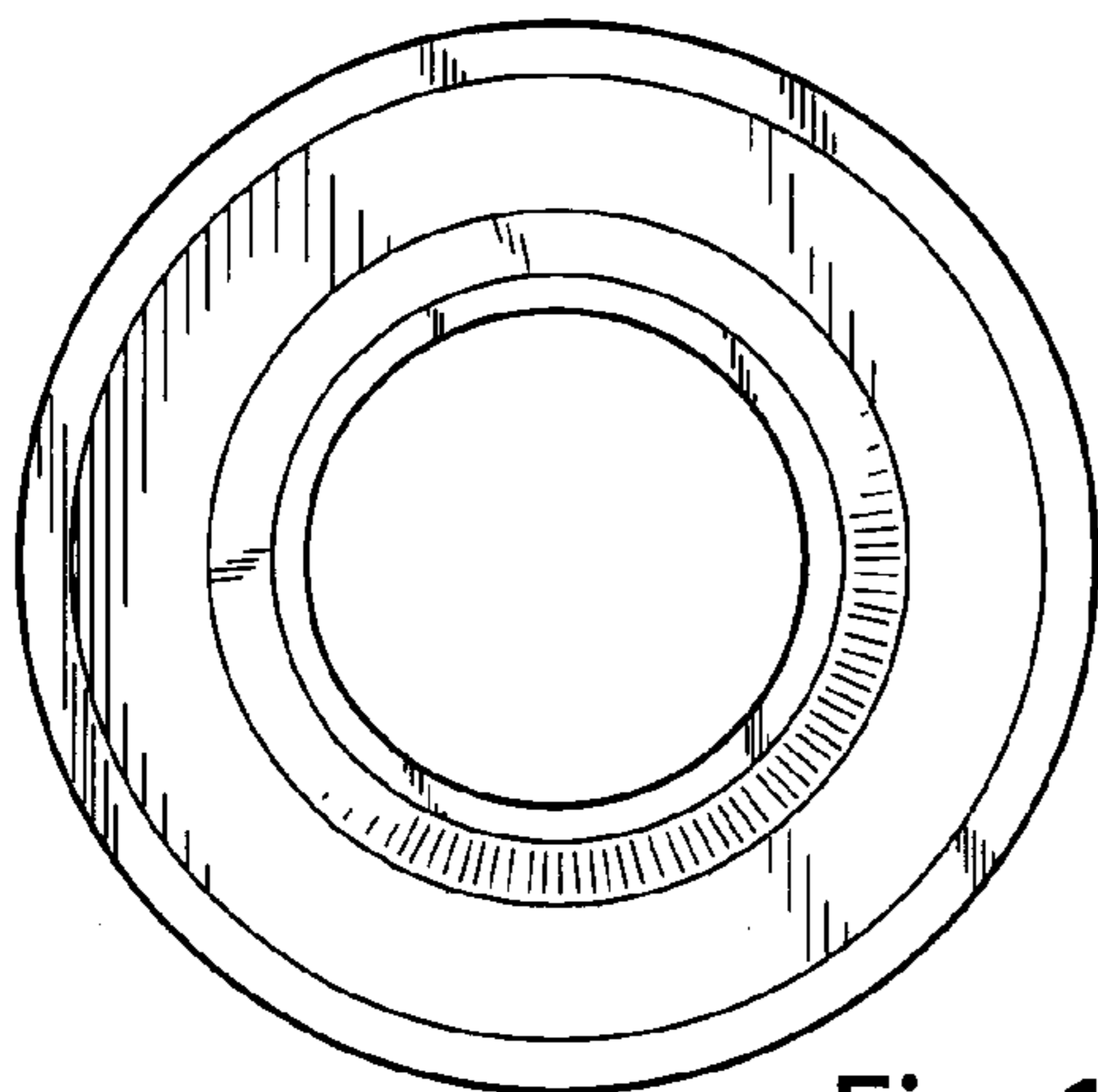


Fig. 14

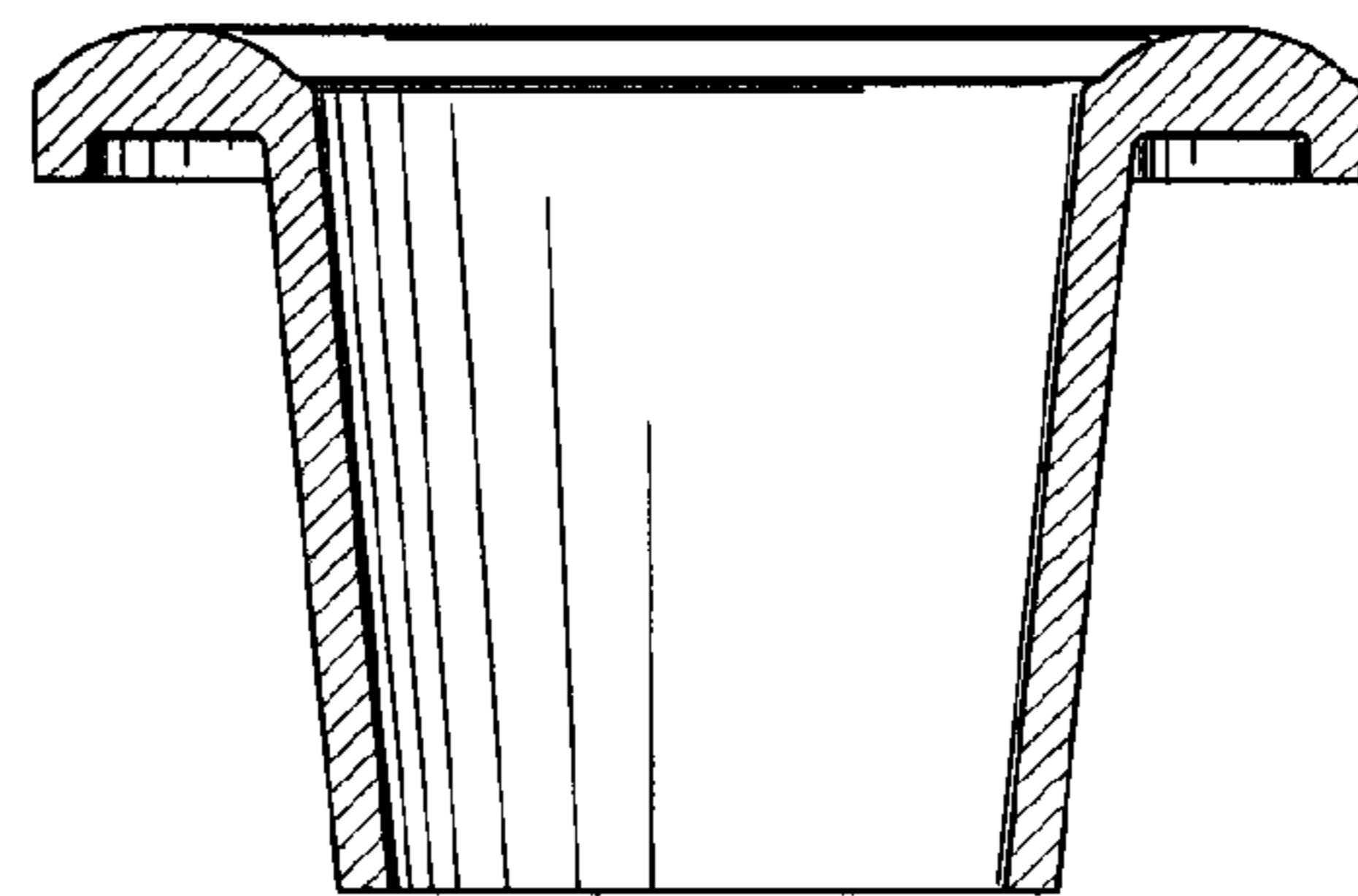


Fig. 15

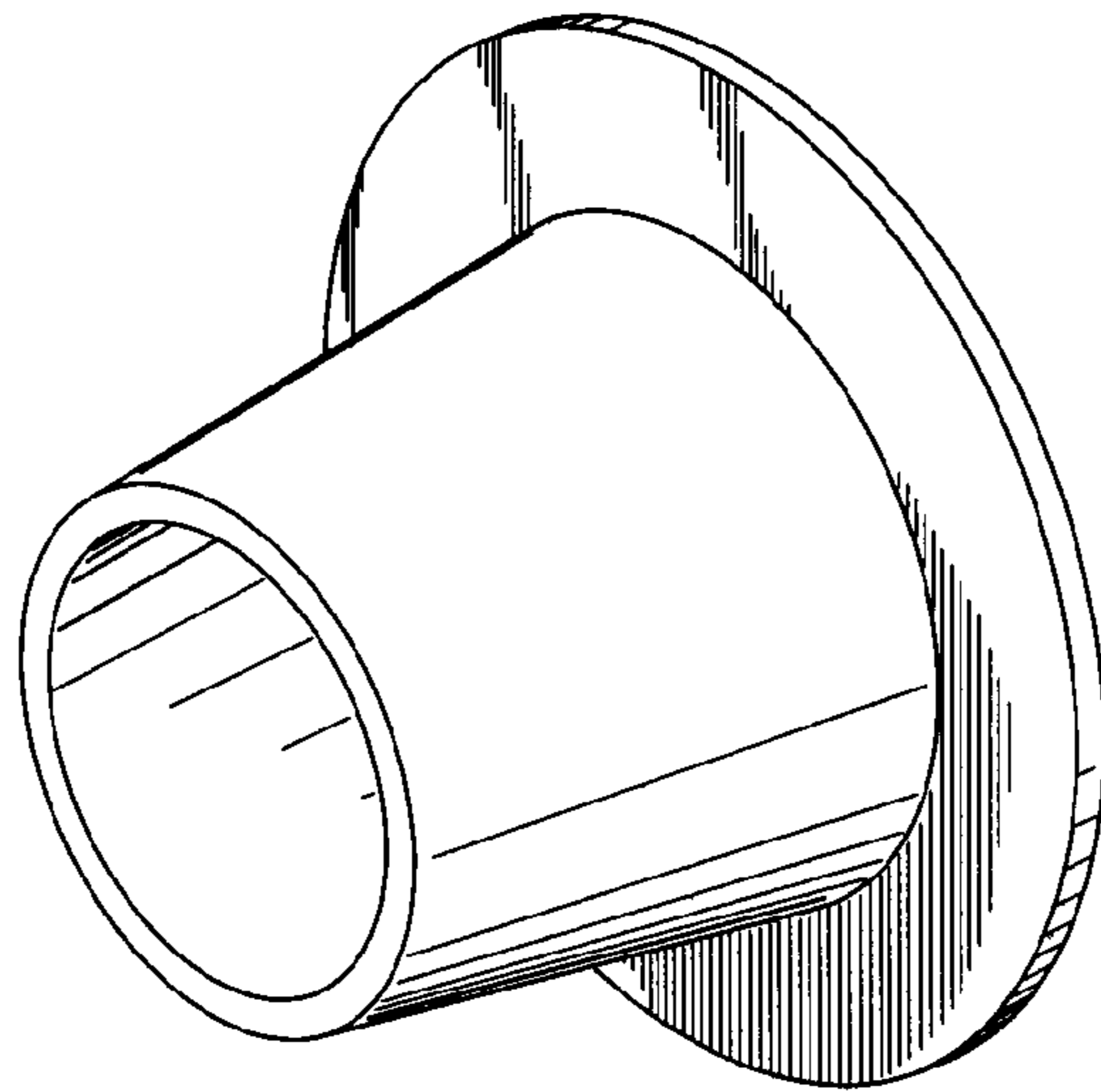


Fig. 16

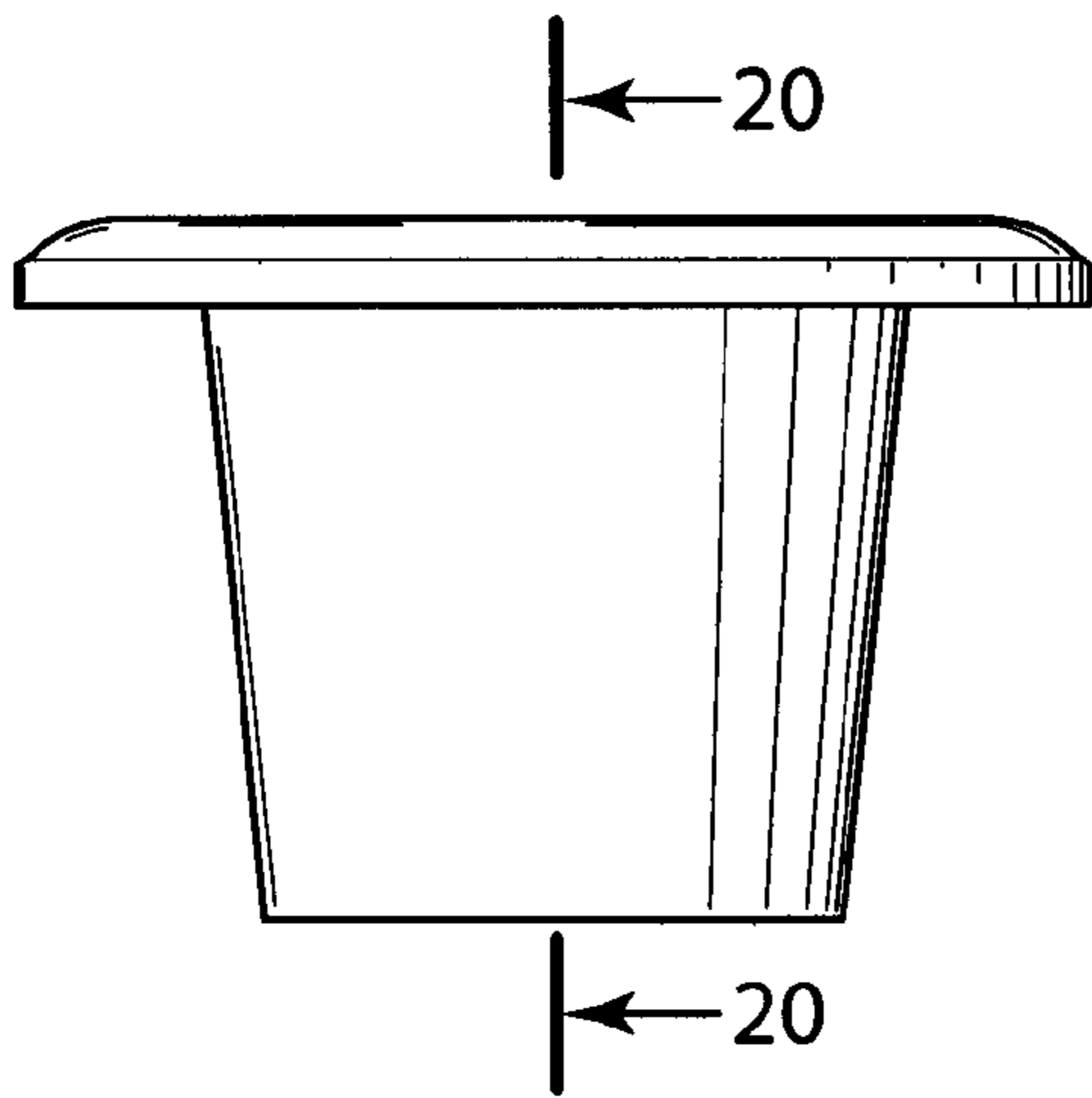


Fig. 17

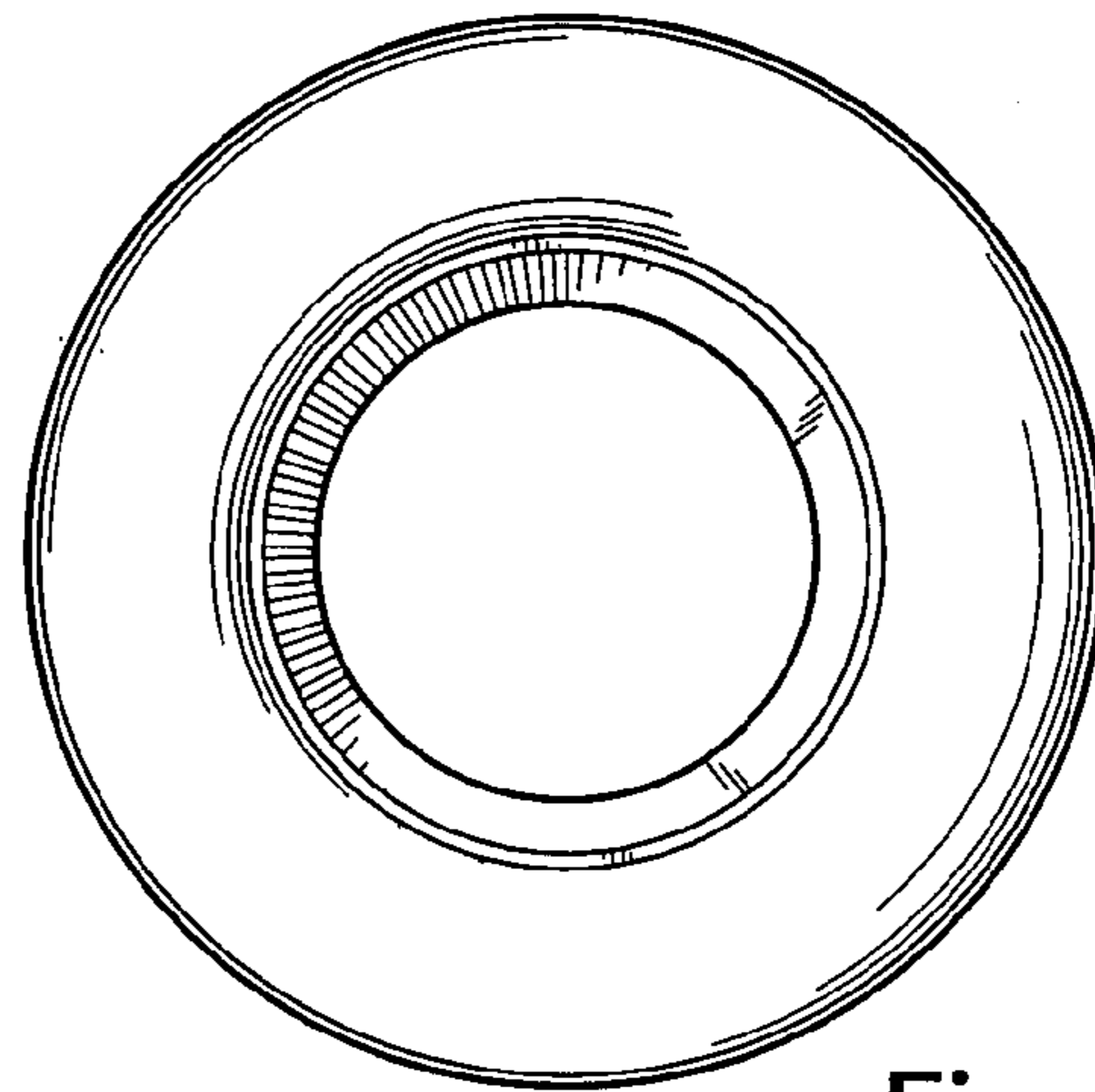


Fig. 18

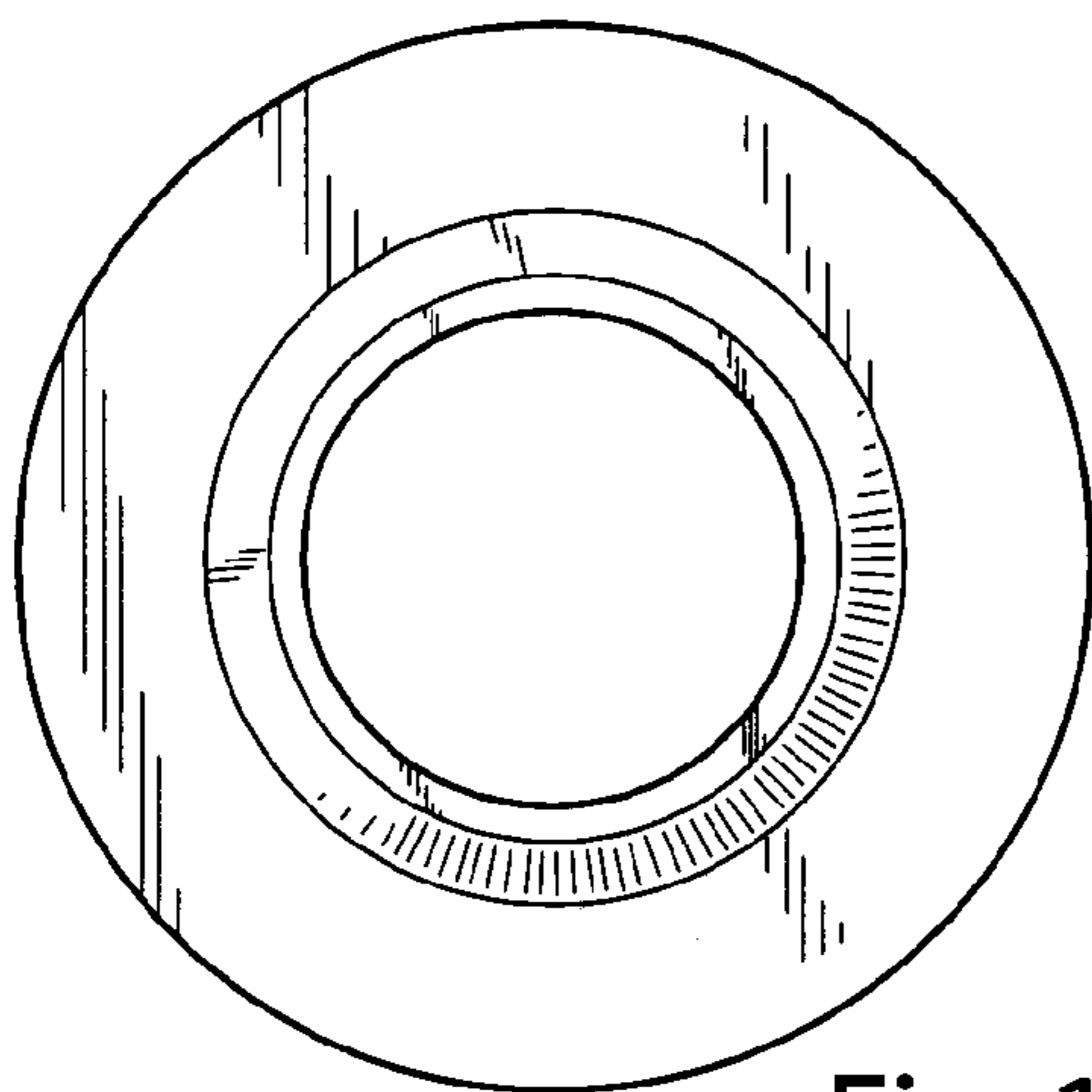


Fig. 19

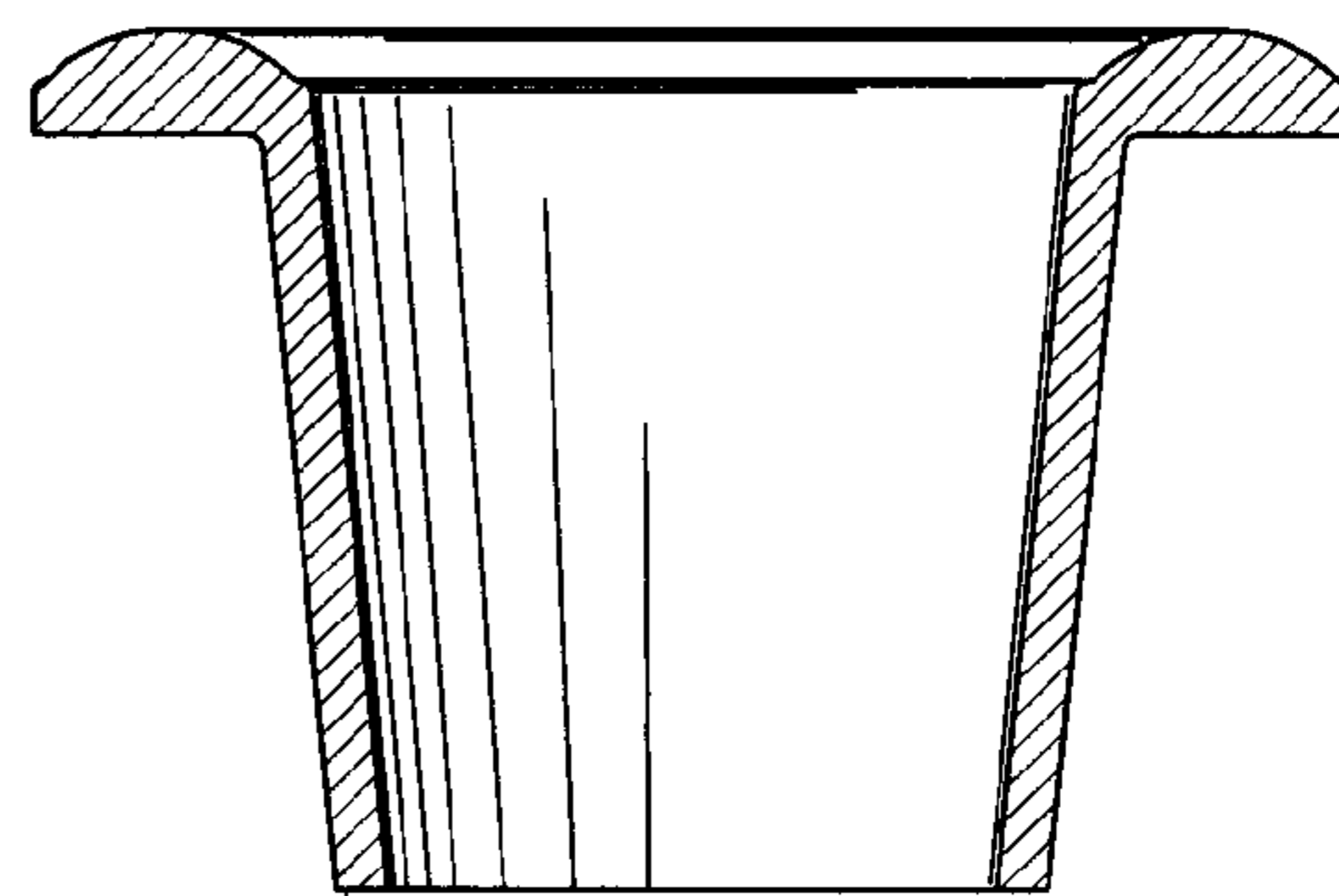


Fig. 20

UNITED STATES PATENT AND TRADEMARK OFFICE  
**CERTIFICATE OF CORRECTION**

PATENT NO. : D649,625 S  
APPLICATION NO. : 29/353290  
DATED : November 29, 2011  
INVENTOR(S) : Donald James DeWitt et al.

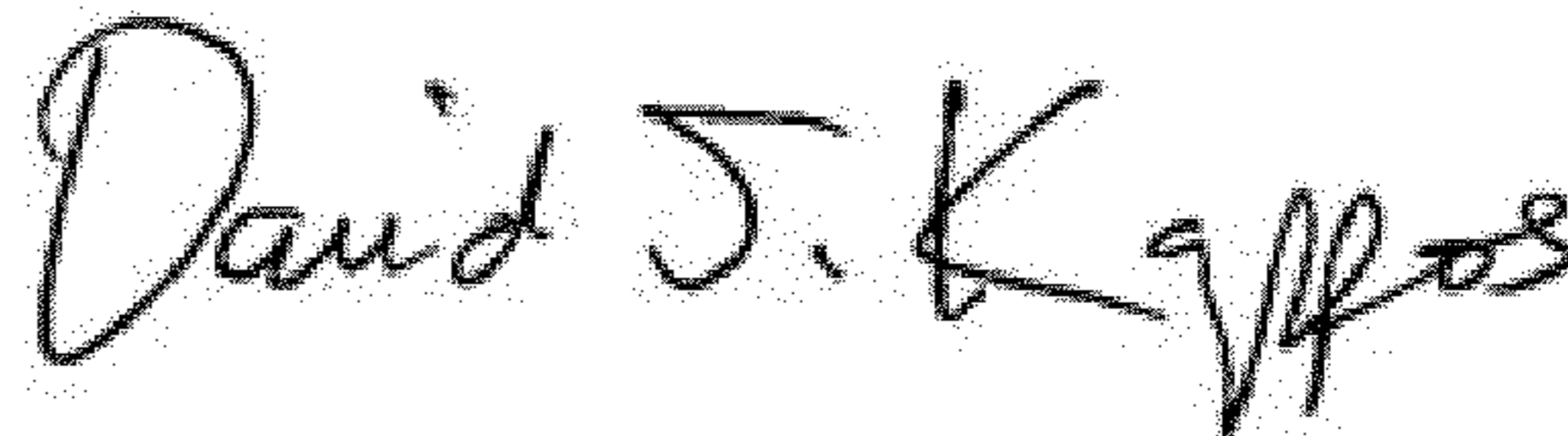
Page 1 of 1

It is certified that error appears in the above-identified patent and that said Letters Patent is hereby corrected as shown below:

In The Description:

Column 2, Line 5, should read as follows: -- 12/683,331, which are filed on even date herewith --

Signed and Sealed this  
Tenth Day of July, 2012

A handwritten signature in black ink that reads "David J. Kappos". The signature is written in a cursive, slightly slanted style.

David J. Kappos  
*Director of the United States Patent and Trademark Office*