



US00D649622S

(12) **United States Design Patent**  
**Palmer**

(10) **Patent No.:** **US D649,622 S**

(45) **Date of Patent:** **\*\* Nov. 29, 2011**

(54) **ELECTROLYTIC CELL**

(75) **Inventor:** **Ross Leslie Palmer**, Queensland (AU)

(73) **Assignee:** **Poolrite Research Pty Ltd.**, Mt. Gravatt,  
Queensland (AU)

(\*\*) **Term:** **14 Years**

(21) **Appl. No.:** **29/366,701**

(22) **Filed:** **Jul. 29, 2010**

(30) **Foreign Application Priority Data**

Jan. 29, 2010 (AU) ..... 330145

(51) **LOC (9) Cl.** ..... **23-01**

(52) **U.S. Cl.** ..... **D23/208**

(58) **Field of Classification Search** ..... D23/207,  
D23/208, 209; 422/264, 265; 210/167.11,  
210/167.12, 198.1

See application file for complete search history.

(56) **References Cited**

**U.S. PATENT DOCUMENTS**

3,481,857 A \* 12/1969 Gray ..... 204/272  
5,053,206 A \* 10/1991 Maglio et al. .... 422/264  
D326,309 S \* 5/1992 Kendrick ..... D23/208

D371,824 S \* 7/1996 Price et al. .... D23/208  
D422,676 S \* 4/2000 Conover et al. .... D23/208  
7,604,018 B2 \* 10/2009 King et al. .... 137/1  
D629,065 S \* 12/2010 Rossano et al. .... D23/208  
D629,486 S \* 12/2010 Rossano et al. .... D23/208

\* cited by examiner

*Primary Examiner* — Robin V Webster

(74) *Attorney, Agent, or Firm* — Porzio, Bromberg &  
Newman, P.C.

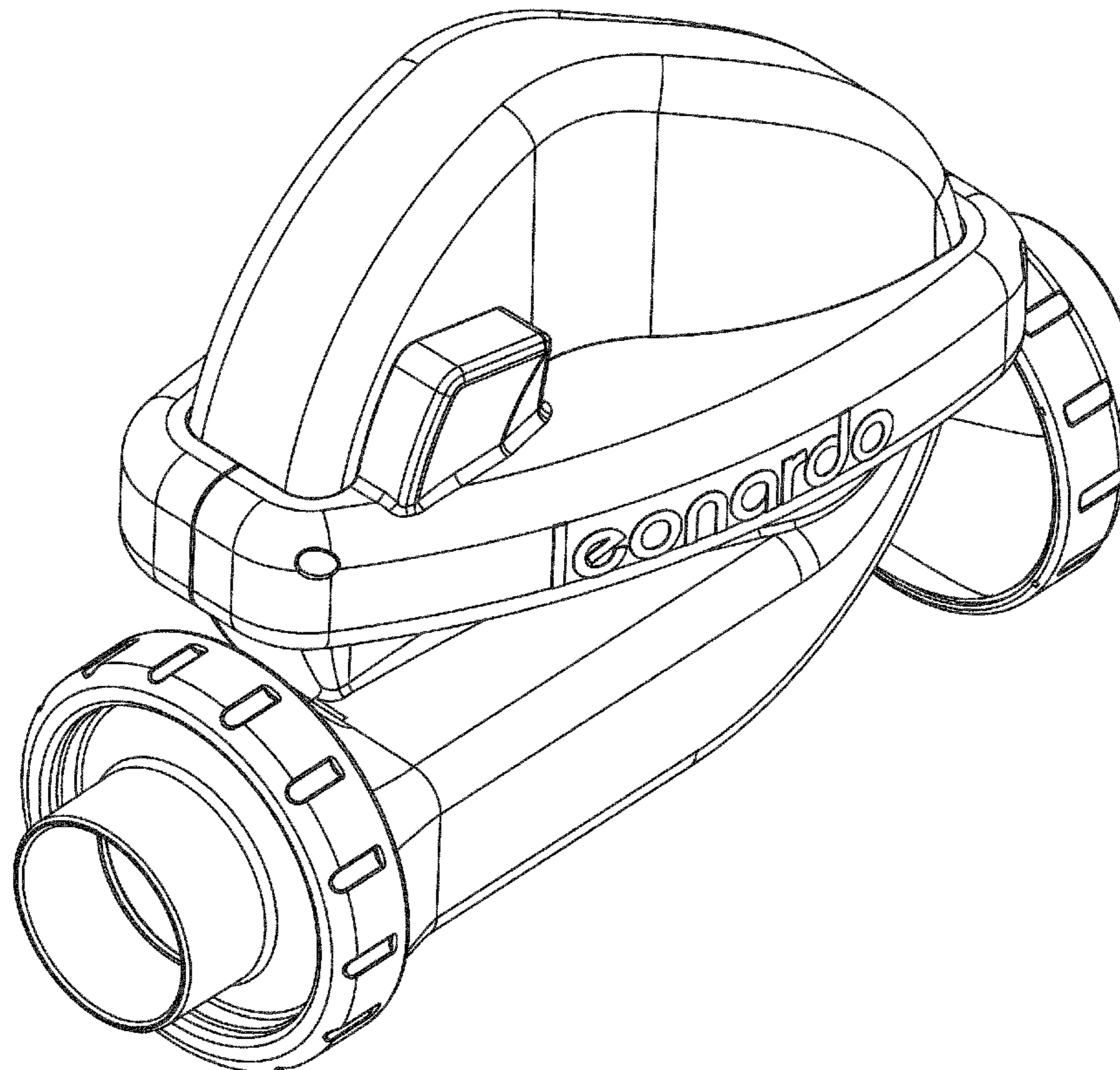
(57) **CLAIM**

The ornamental design for an electrolytic cell, as shown and  
described.

**DESCRIPTION**

FIG. 1 is a front perspective view of an electrolytic cell  
showing my new design;  
FIG. 2 is an additional front perspective view thereof;  
FIG. 3 is a rear perspective view thereof;  
FIG. 4 is a bottom perspective view thereof;  
FIG. 5 is a front view thereof;  
FIG. 6 is a rear view thereof;  
FIG. 7 is a right side view thereof;  
FIG. 8 is a left side view thereof;  
FIG. 9 is a bottom view thereof; and,  
FIG. 10 is a top view thereof;

**1 Claim, 10 Drawing Sheets**



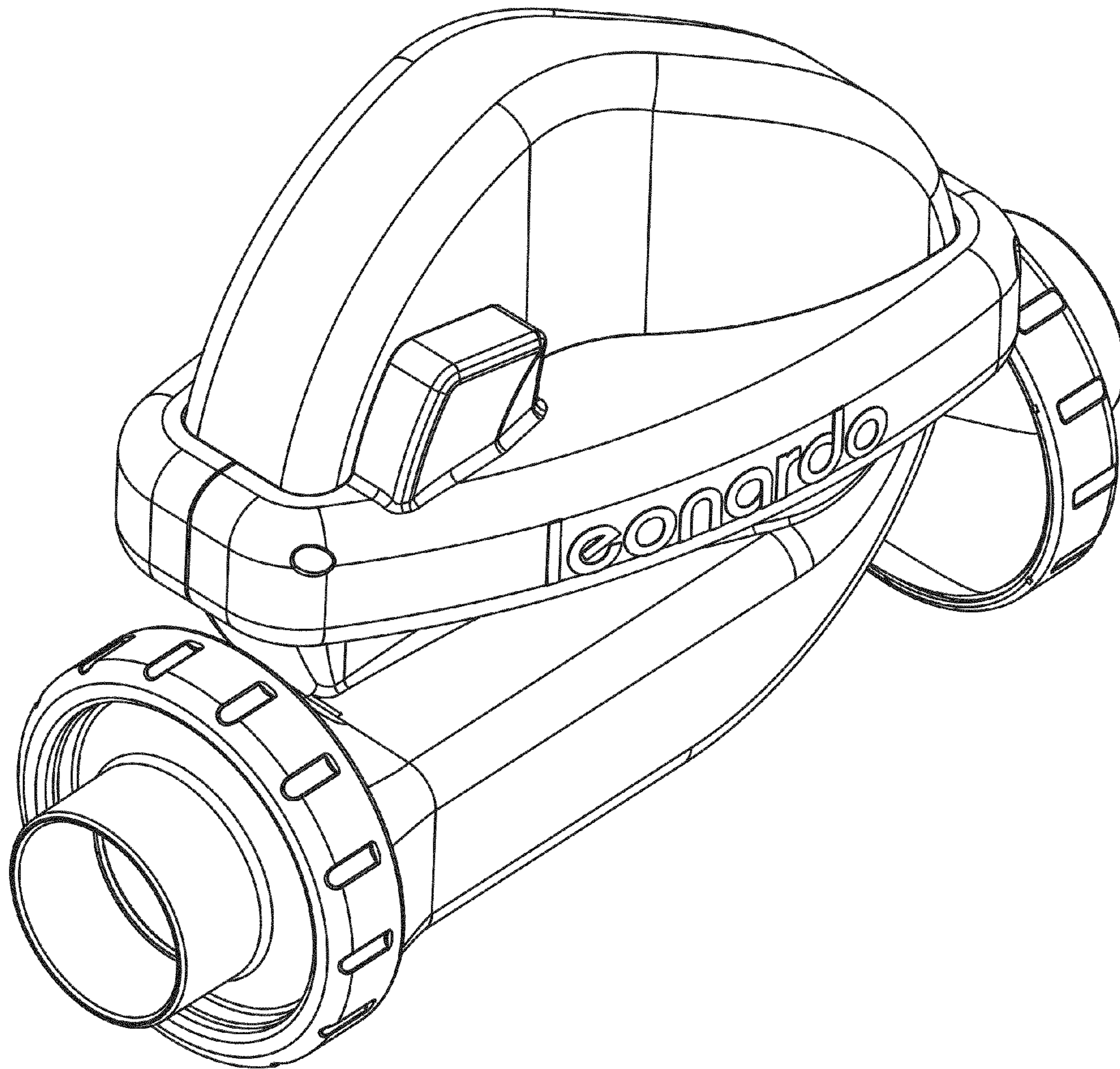


FIG. 1

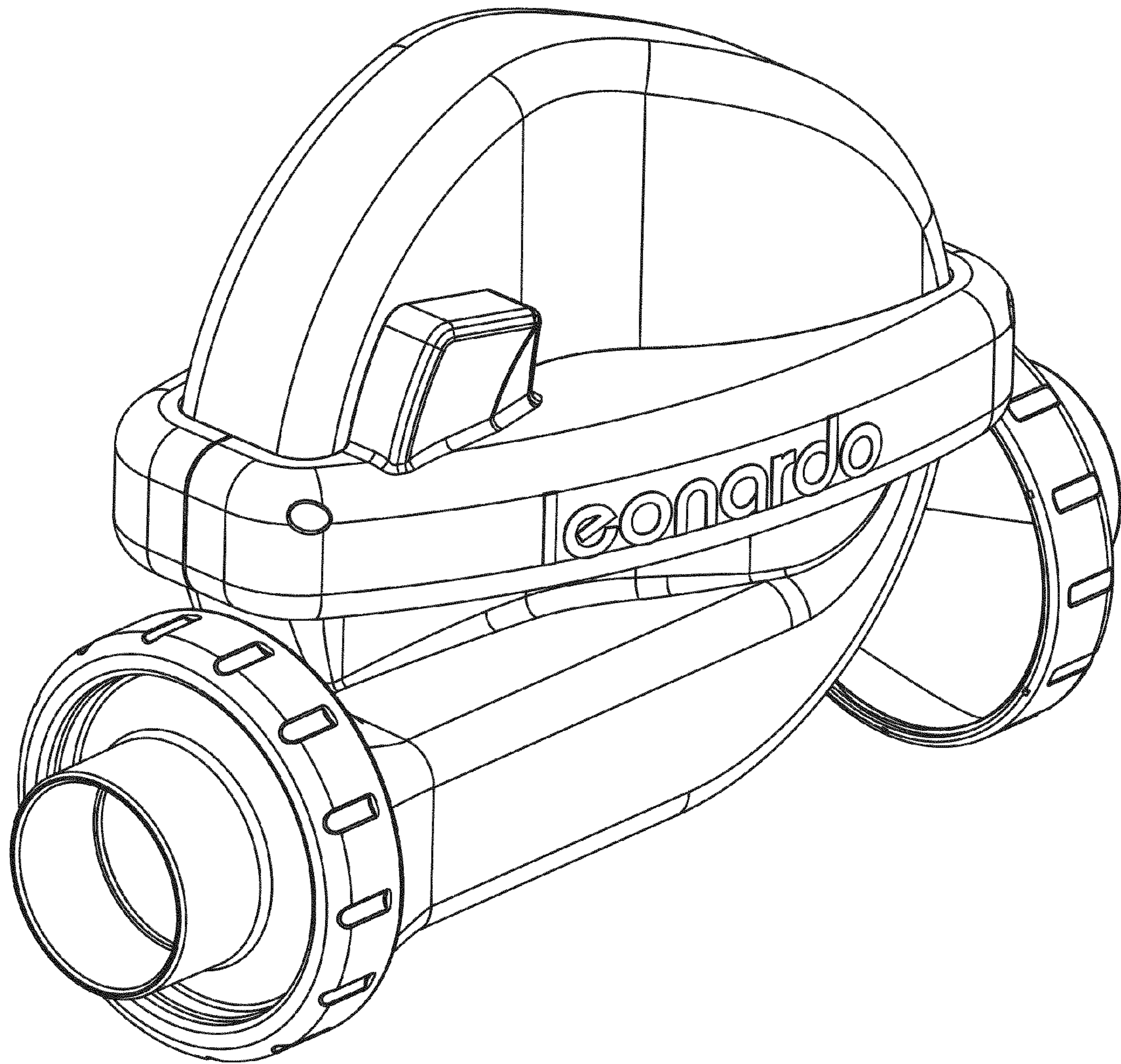


FIG. 2

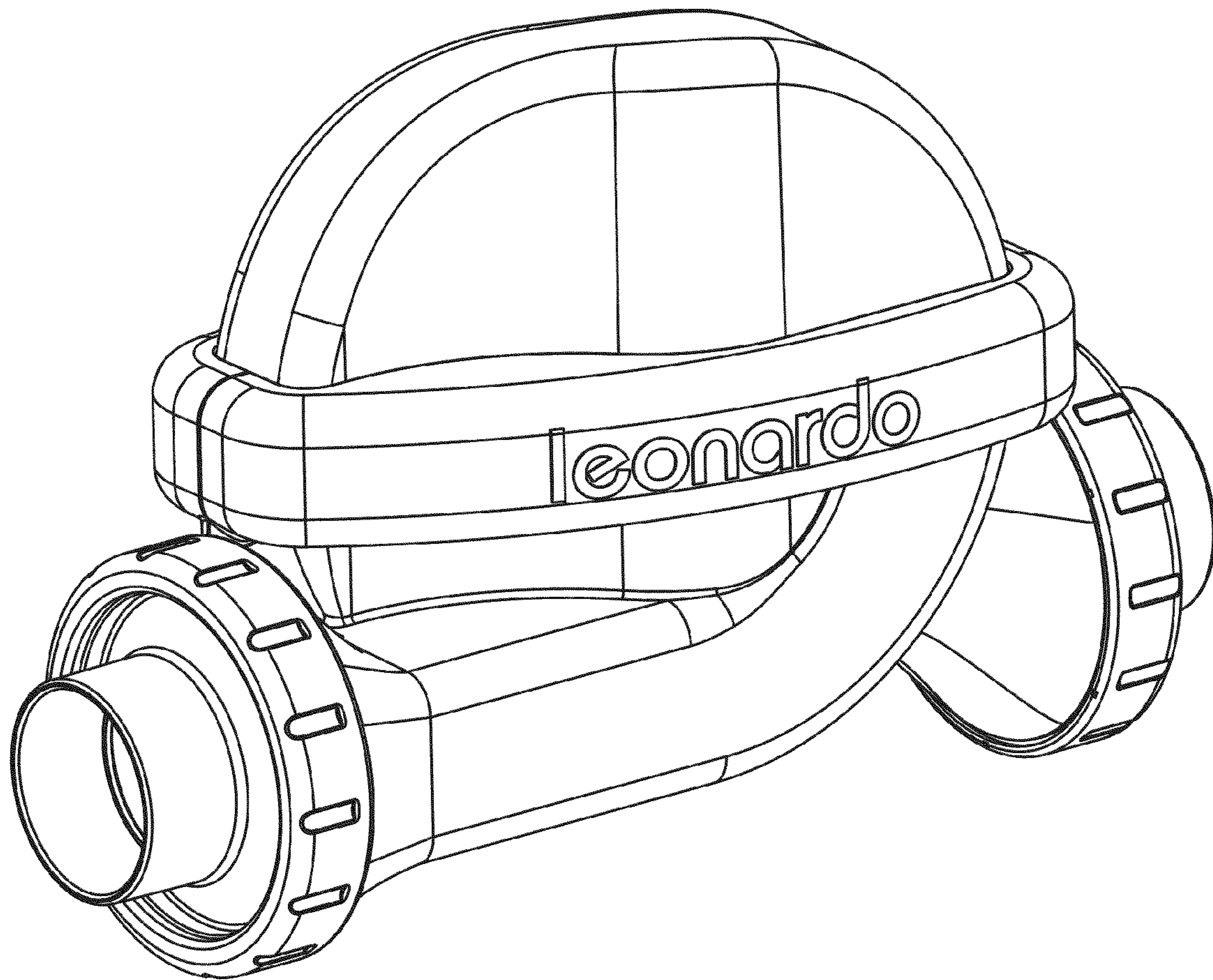


FIG. 3

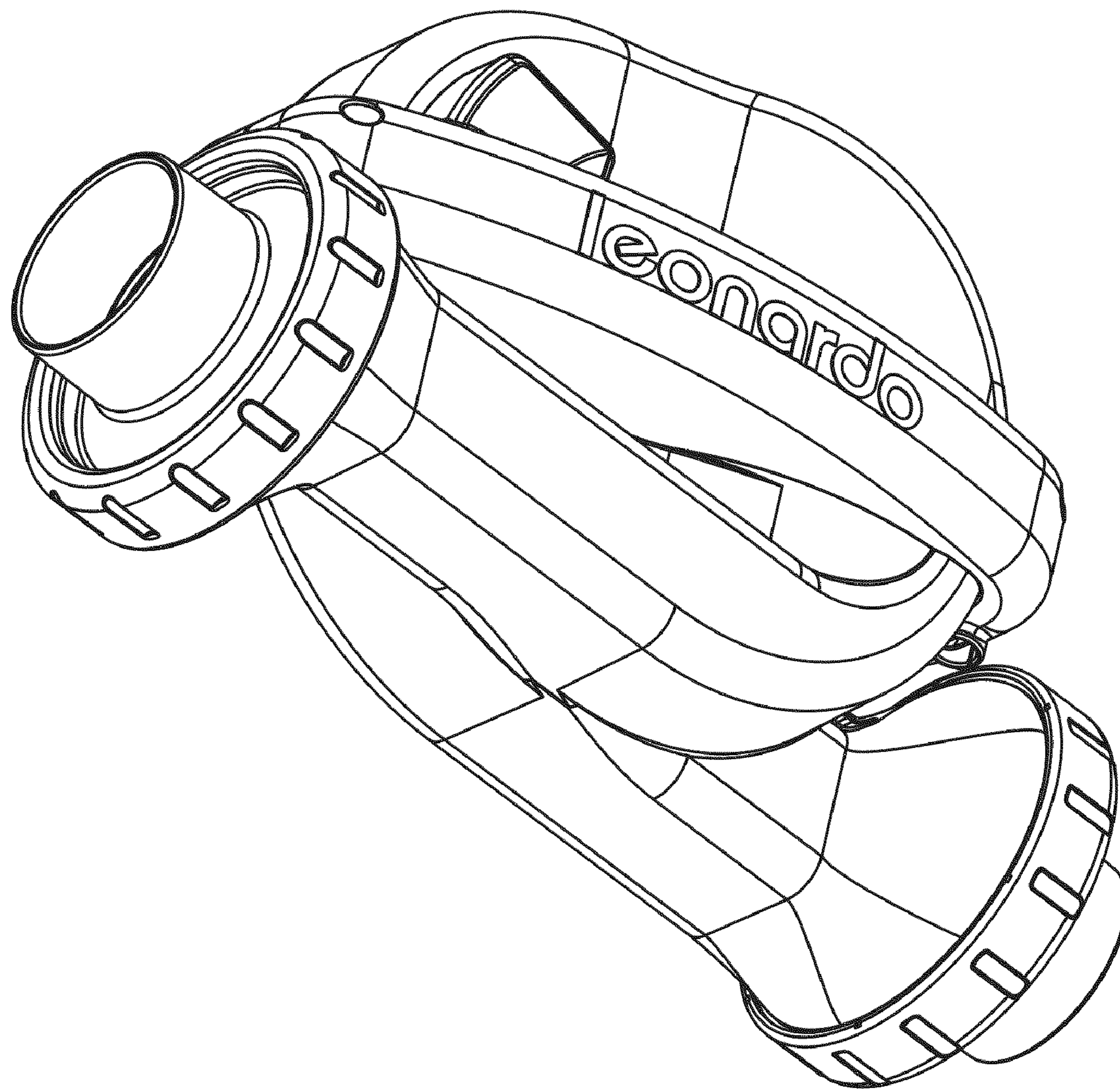


FIG. 4

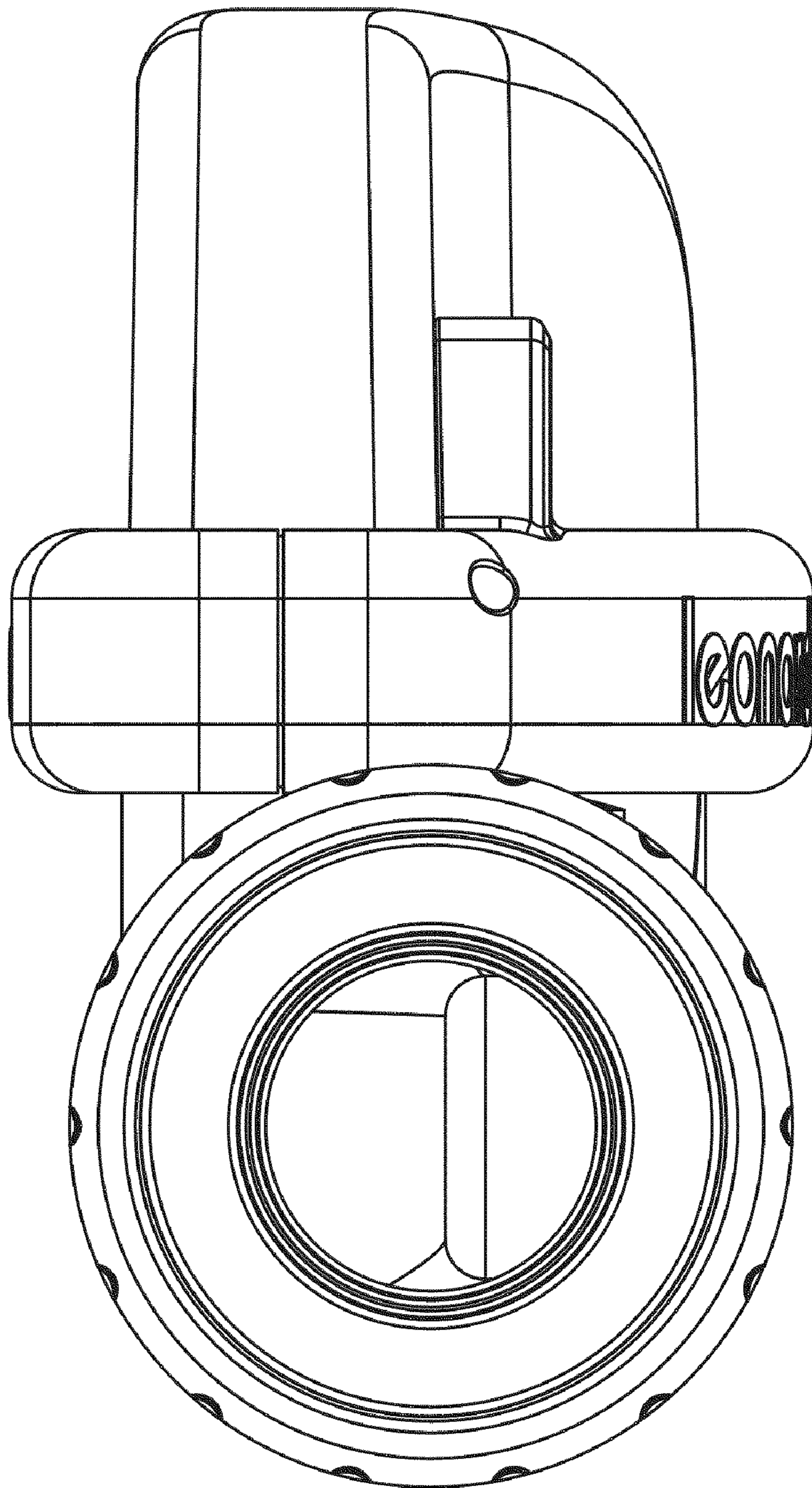


FIG. 5

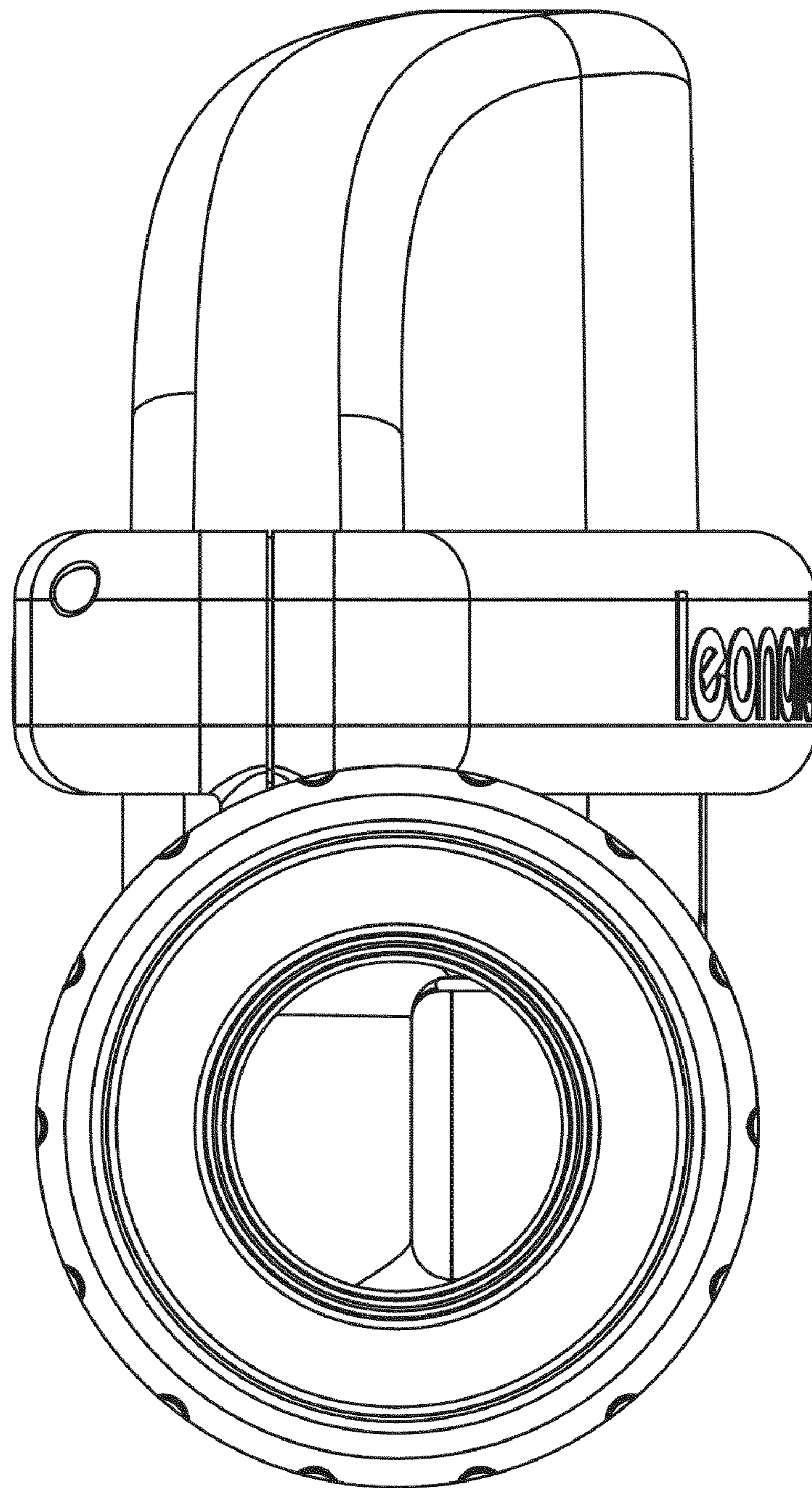


FIG. 6

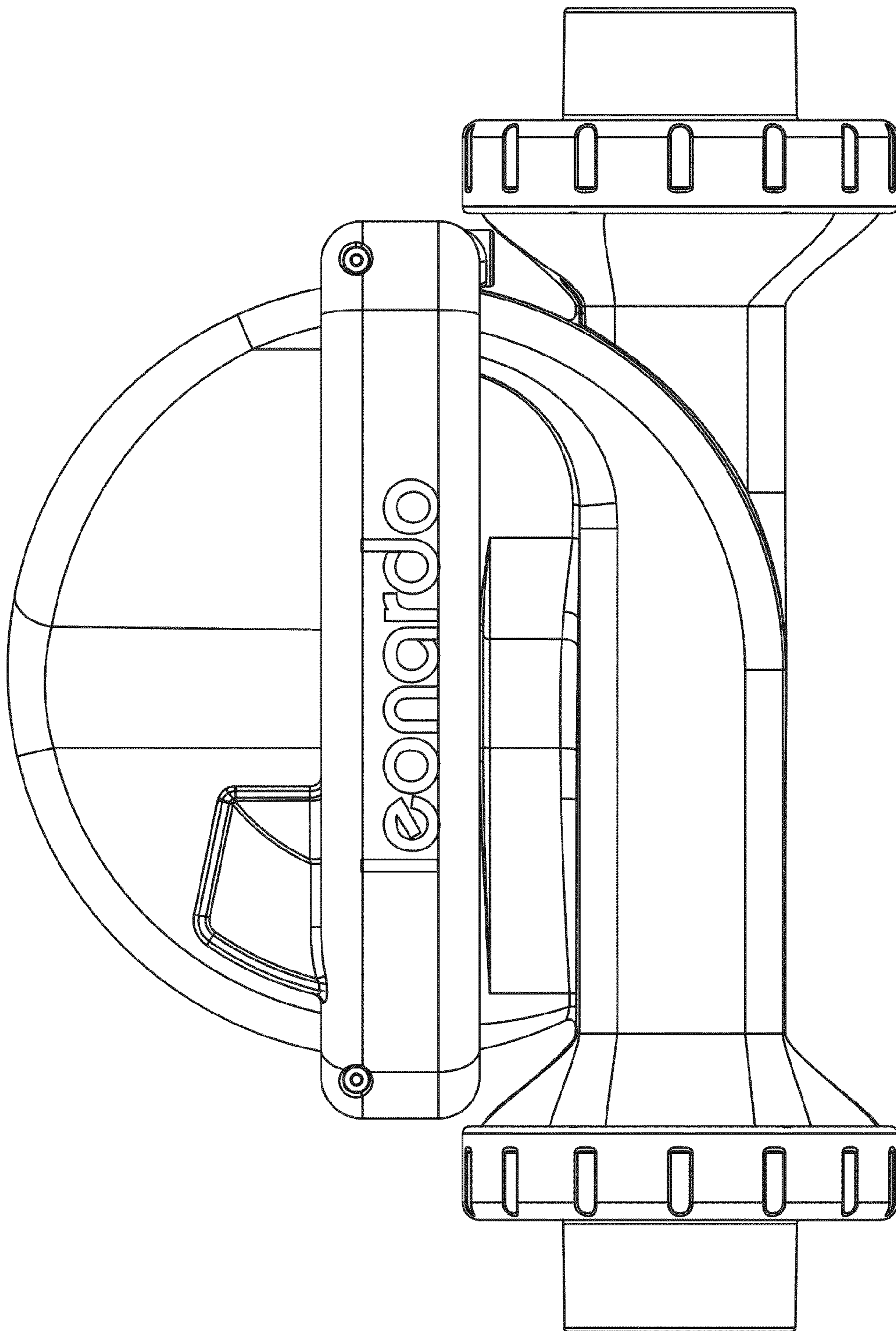


FIG. 7



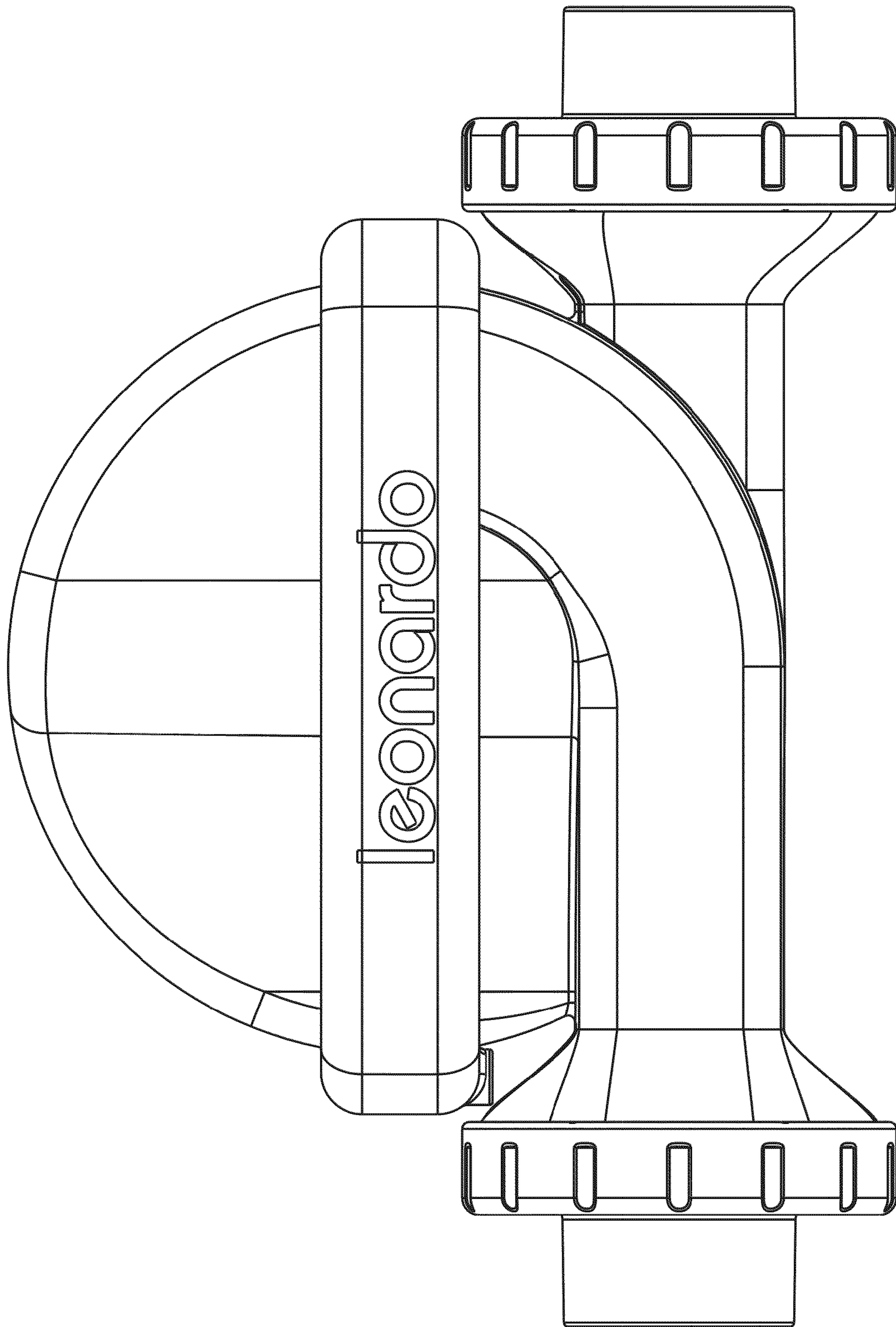


FIG. 8

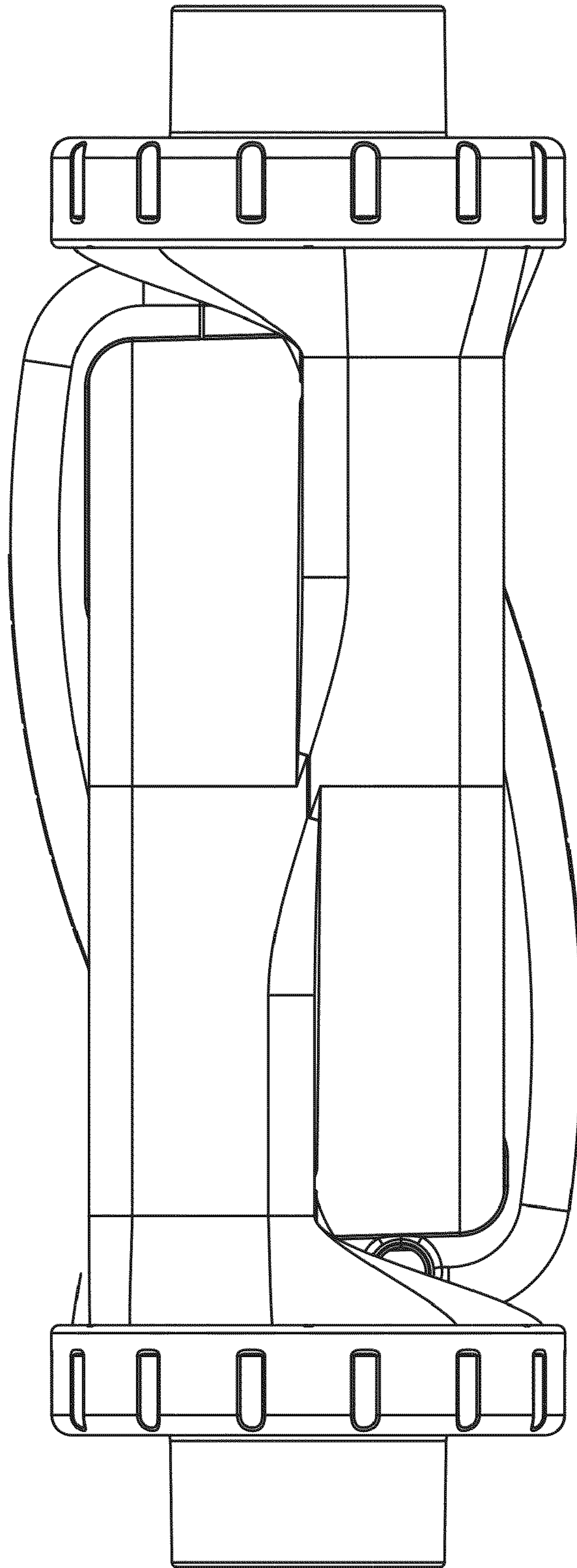


FIG. 9

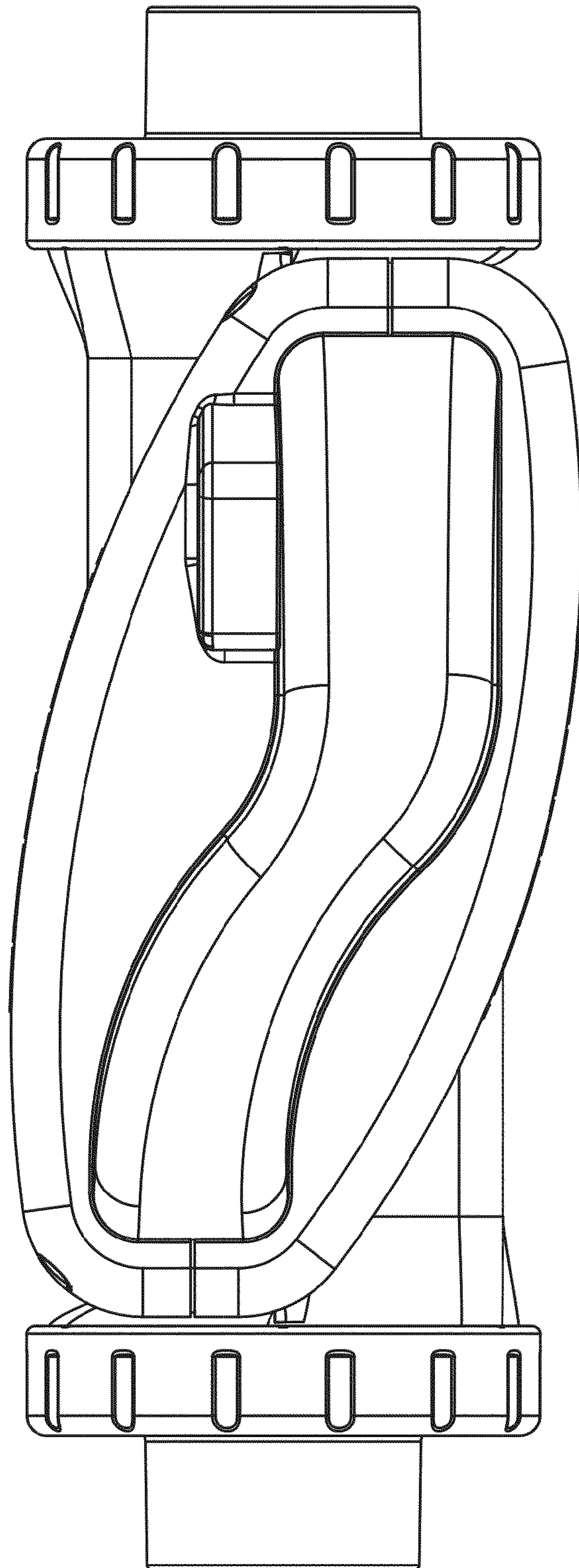


FIG. 10