



US00D649617S

(12) **United States Design Patent**
Bandini

(10) **Patent No.:** **US D649,617 S**
(45) **Date of Patent:** **** Nov. 29, 2011**

- (54) **CANOPY**
- (75) Inventor: **Vittorio Bandini**, Forli' (IT)
- (73) Assignee: **Velombra S.R.L.**, Forli' (IT)
- (**) Term: **14 Years**
- (21) Appl. No.: **29/371,207**
- (22) Filed: **Nov. 29, 2010**

Related U.S. Application Data

- (62) Division of application No. 29/311,915, filed on Jul. 31, 2009.

(30) **Foreign Application Priority Data**

Feb. 9, 2009 (EM) 001084669

- (51) **LOC (9) Cl.** **21-04**
- (52) **U.S. Cl.** **D21/837**
- (58) **Field of Classification Search** D21/834,
D21/837, 838, 839; D3/5, 10; D25/56; 135/16,
135/19.5, 20.1, 22-24, 25.31-25.34, 33.2,
135/98, 99; 52/63, 222, 273
See application file for complete search history.

(56) **References Cited**

U.S. PATENT DOCUMENTS

D199,887 S	12/1964	Mermelstein	
D233,745 S	11/1974	Summer	
D233,749 S	11/1974	Summer	
3,861,410 A	1/1975	Cognet	
D241,334 S	9/1976	Howard	
D255,958 S	7/1980	Browning	
D273,346 S *	4/1984	Secon	D3/5
4,540,010 A	9/1985	May	

D294,772 S *	3/1988	Baldwin	D3/5
4,836,231 A	6/1989	Peterson	
5,441,068 A	8/1995	Rasch et al.	
5,778,613 A *	7/1998	Thomson	52/222
D432,665 S *	10/2000	Chipman et al.	D25/56
D443,409 S	6/2001	Pilz et al.	
D459,871 S	7/2002	Persson	
D475,524 S *	6/2003	Clarke	D3/5
D478,416 S *	8/2003	Clarke	D3/5
D481,802 S	11/2003	Shilling et al.	
D491,348 S *	6/2004	Clarke	D3/5
D491,720 S *	6/2004	Clarke	D3/5
D497,478 S	10/2004	Clarke	
D502,800 S	3/2005	Snyders	
D516,294 S	3/2006	Olson et al.	
D522,605 S	6/2006	Bishirjian	
D530,023 S	10/2006	Haymann et al.	
D530,433 S	10/2006	Haymann et al.	
D530,827 S	10/2006	Haymann et al.	
D530,829 S	10/2006	Haymann et al.	
D605,308 S	12/2009	Combs	
2008/0041431 A1	2/2008	Tung	

* cited by examiner

Primary Examiner — Cynthia M Chin

(74) *Attorney, Agent, or Firm* — Modiano & Associati;
Albert Josif; Daniel J. O'Byrne

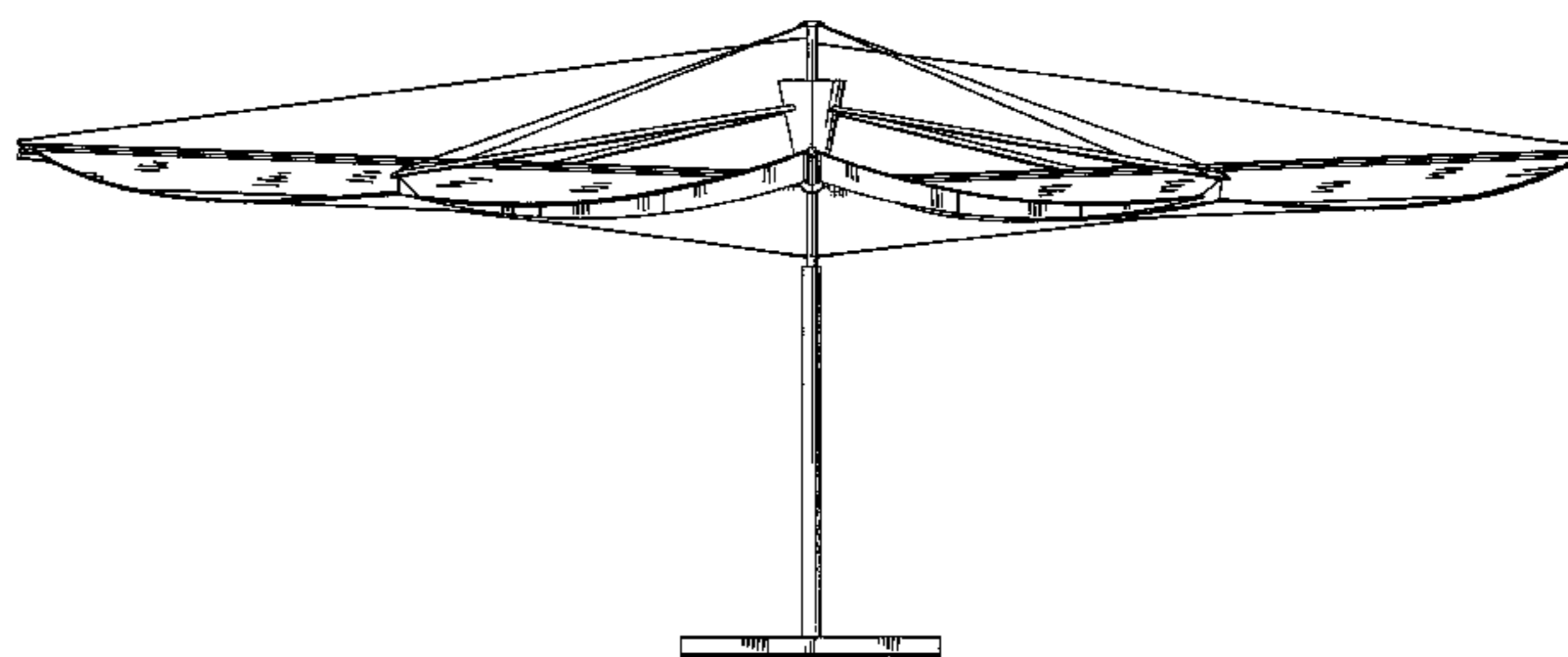
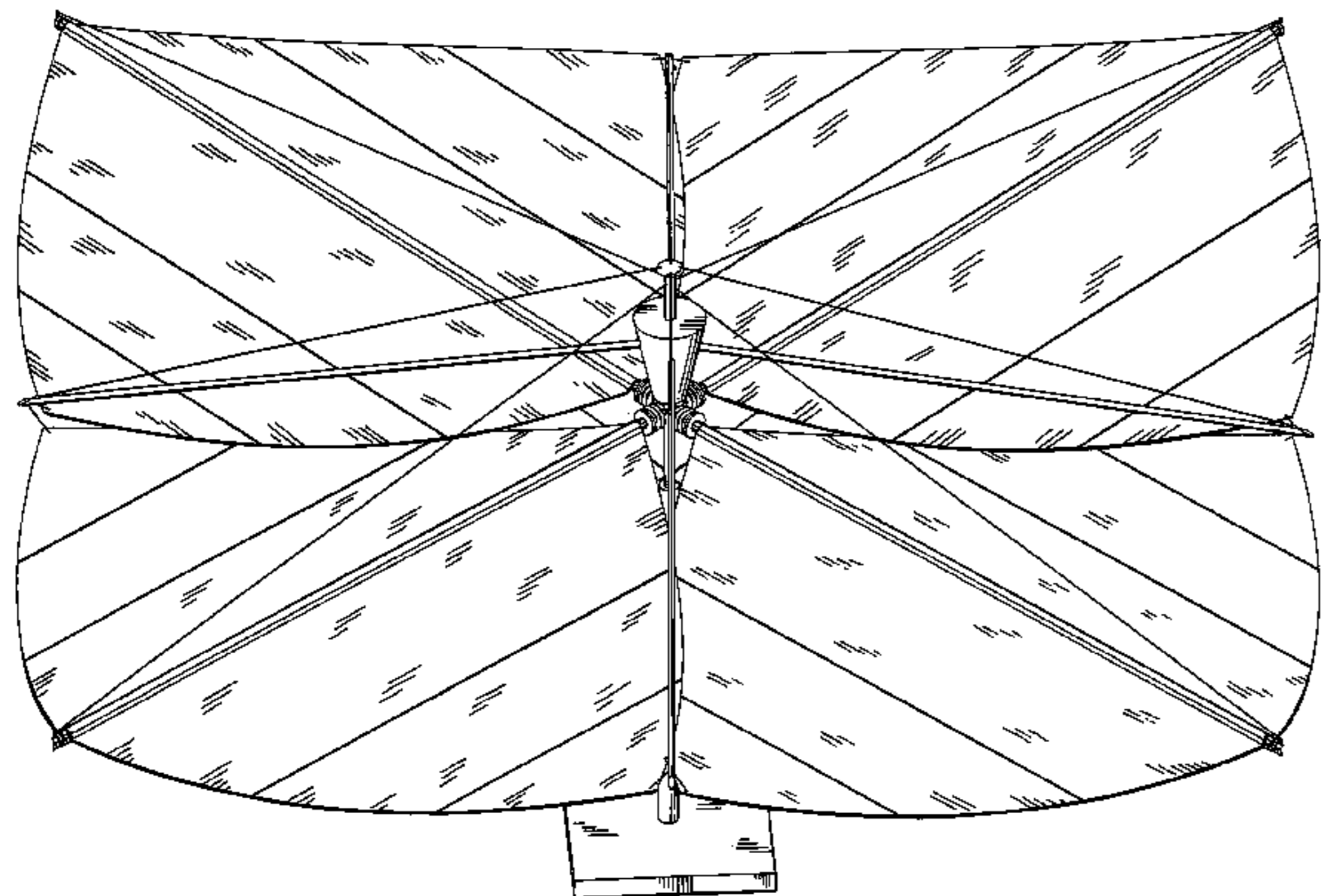
(57) **CLAIM**

The ornamental design for a canopy, as shown.

DESCRIPTION

FIG. 1 is a front side perspective view from above of a canopy showing my new design;
 FIG. 2 is a front view thereof;
 FIG. 3 is a top view thereof;
 FIG. 4 is a bottom view thereof; and,
 FIG. 5 is a front side perspective view from below thereof.

1 Claim, 5 Drawing Sheets



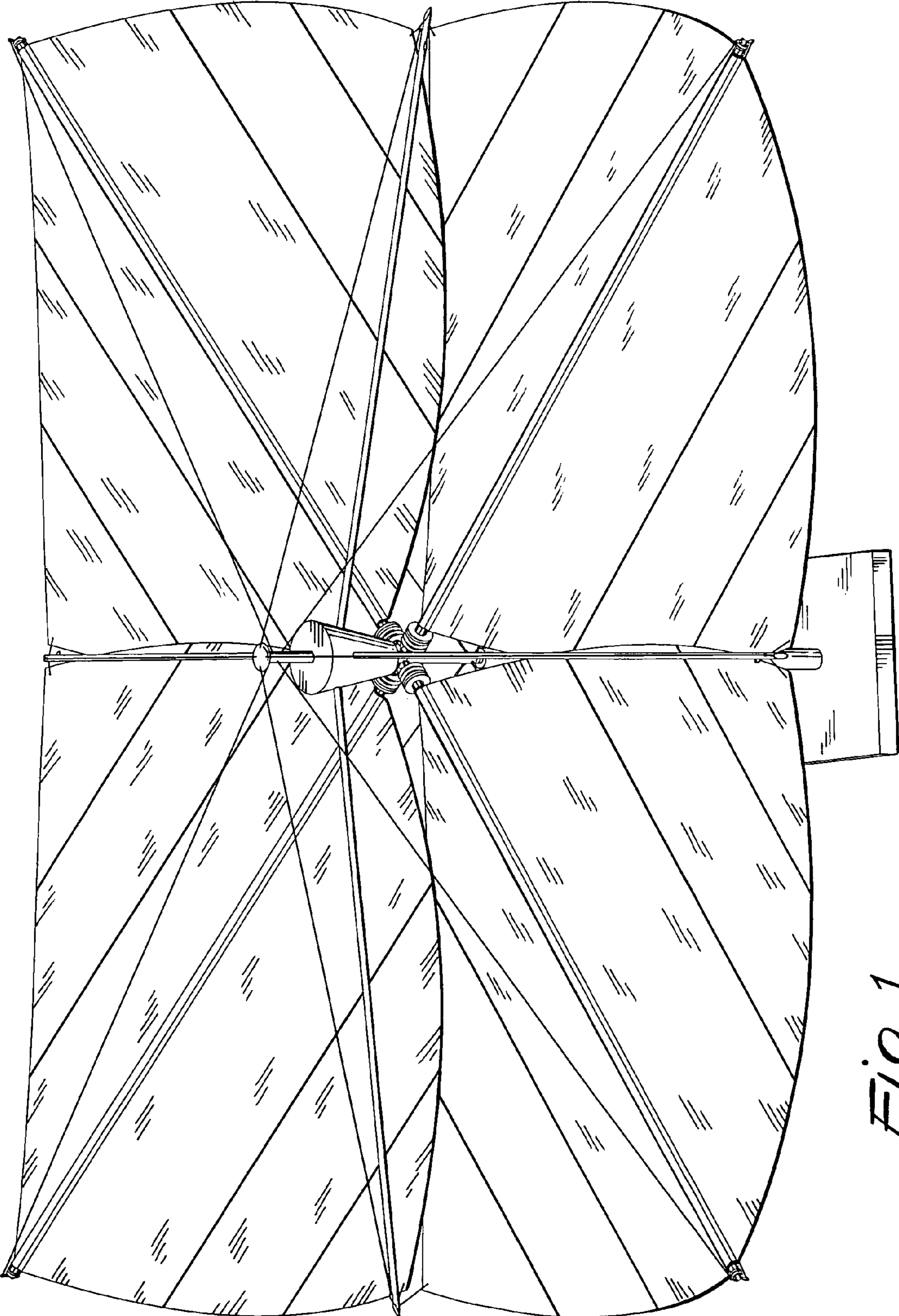


Fig. 1

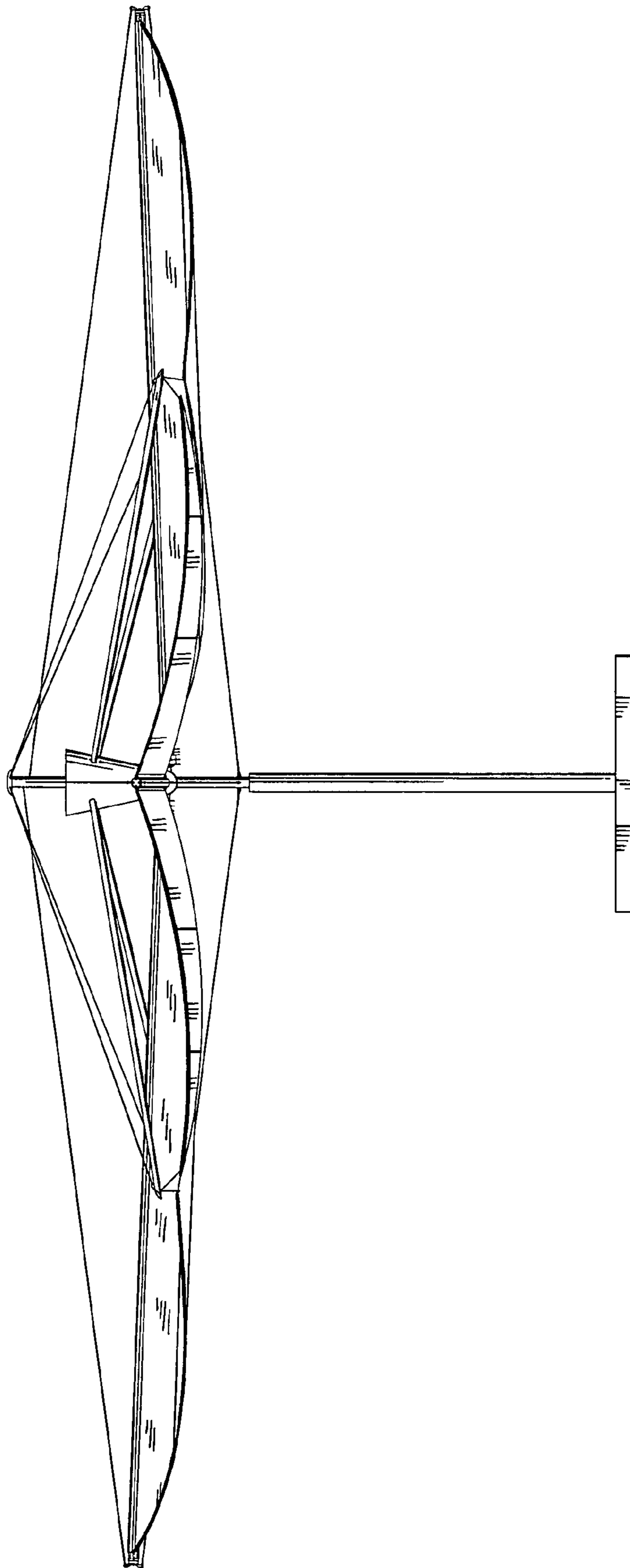


Fig. 2

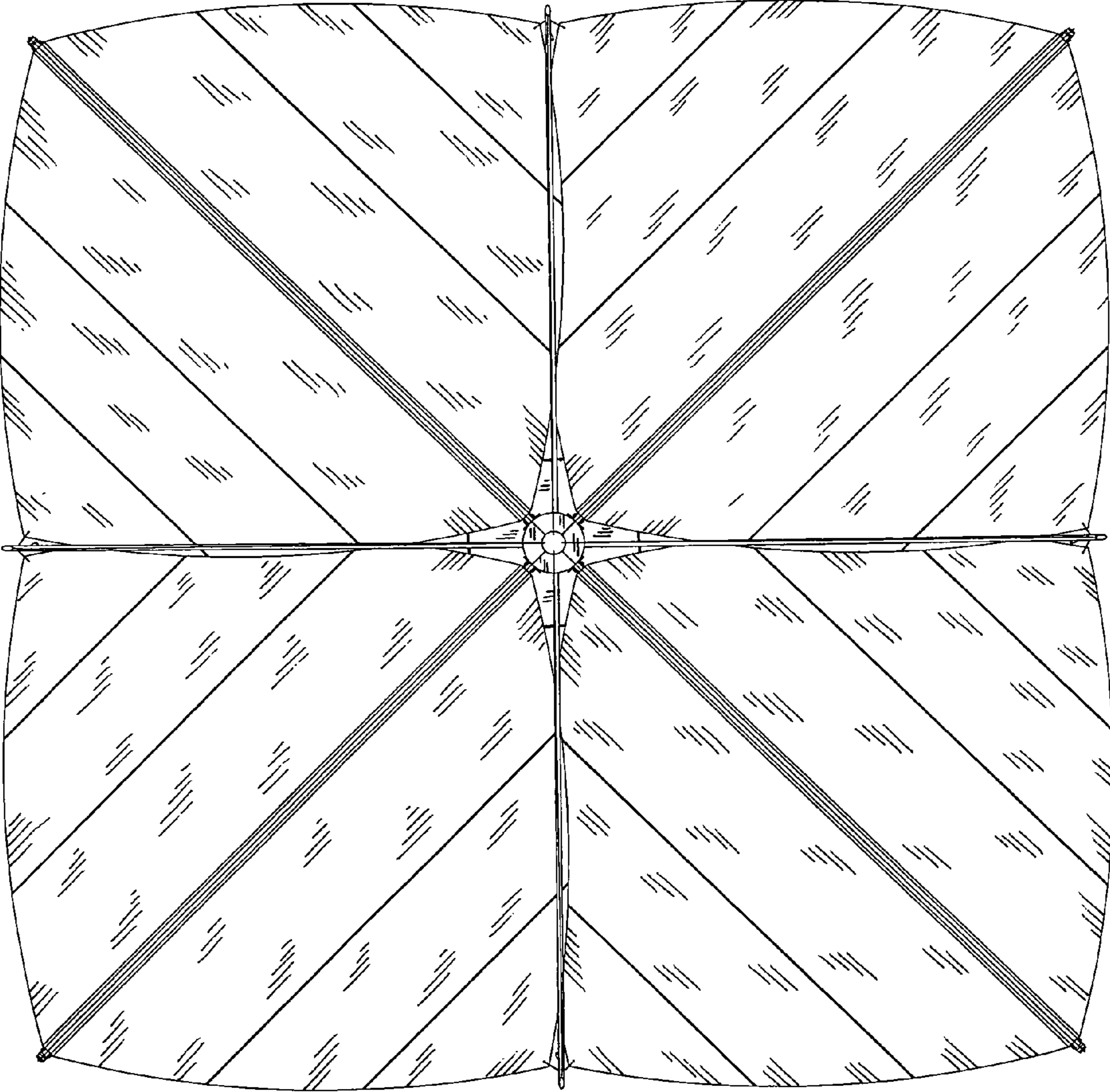


Fig. 3

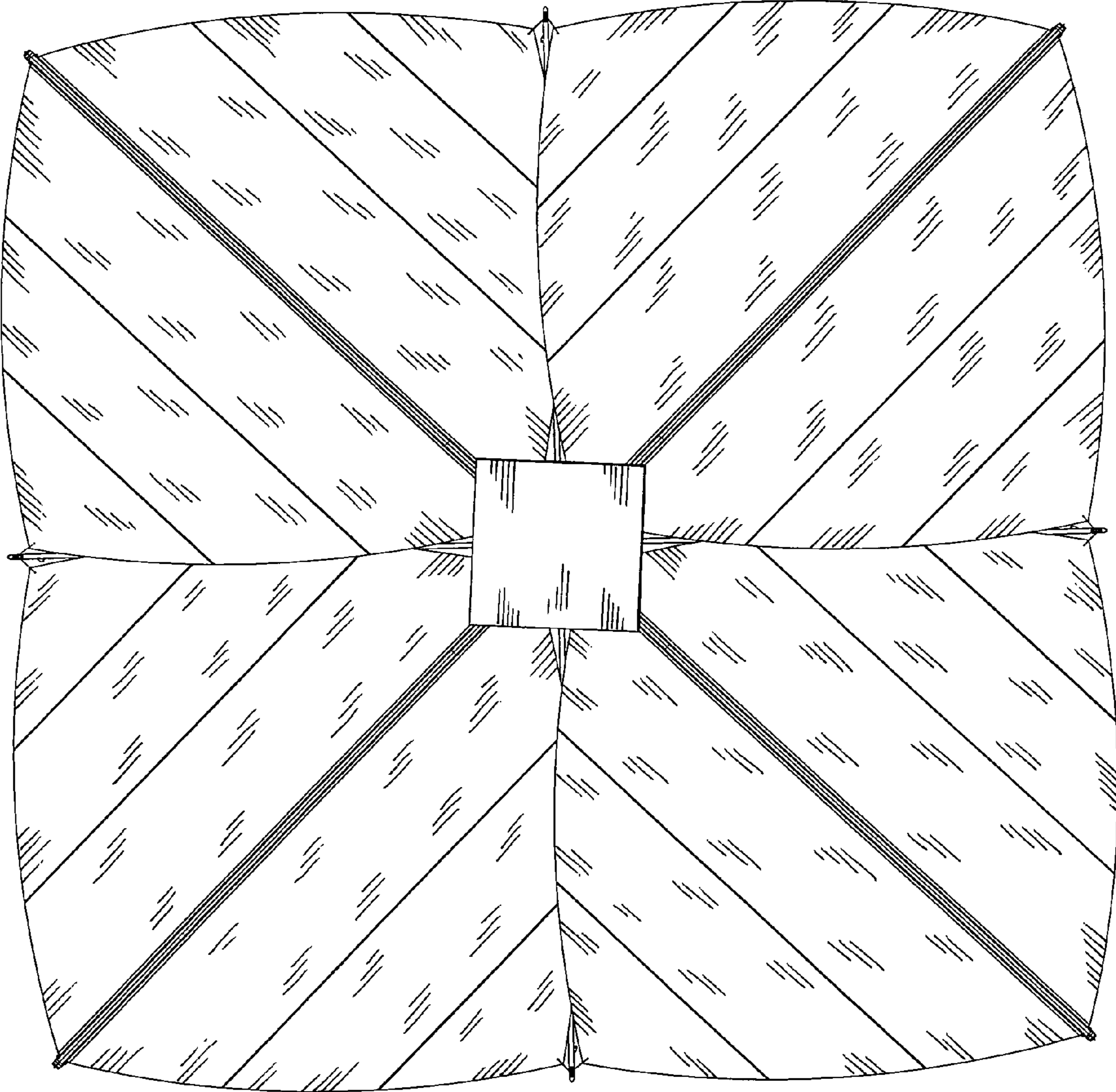


Fig. 4

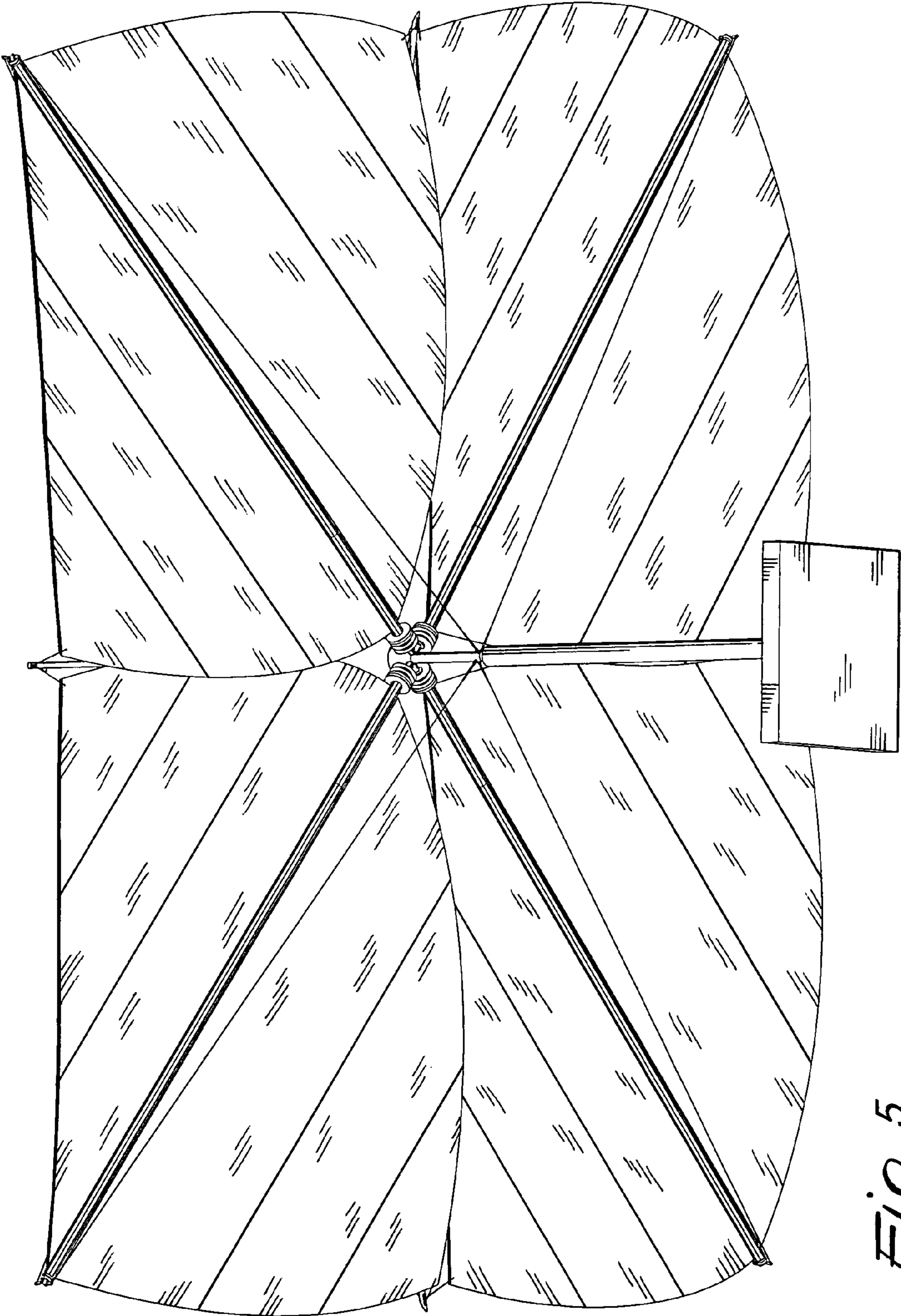


Fig. 5