



US00D649616S

(12) **United States Design Patent**  
**Bandini**

(10) **Patent No.:** **US D649,616 S**

(45) **Date of Patent:** **\*\* Nov. 29, 2011**

(54) **CANOPY**

(75) **Inventor:** **Vittorio Bandini, Forli' (IT)**

(73) **Assignee:** **Velombra S.R.L., Folri' (IT)**

(\*\*) **Term:** **14 Years**

(21) **Appl. No.:** **29/371,206**

(22) **Filed:** **Nov. 29, 2010**

(30) **Foreign Application Priority Data**

Feb. 9, 2009 (EM) ..... 001084669

(51) **LOC (9) Cl.** ..... **21-04**

(52) **U.S. Cl.** ..... **D21/837**

(58) **Field of Classification Search** ..... D21/834,  
D21/837, 838, 839; D3/5, 10; D25/56; 135/16,  
135/19.5, 20.1, 22-24, 25.31-25.34, 33.2,  
135/98, 99; 52/63, 222, 273

See application file for complete search history.

(56) **References Cited**

**U.S. PATENT DOCUMENTS**

D199,887 S	12/1964	Mermelstein	
D233,745 S	11/1974	Sumner	
D233,749 S	11/1974	Sumner	
3,861,410 A	1/1975	Cognet	
D241,334 S	9/1976	Howard	
D255,958 S	7/1980	Browning	
D273,346 S *	4/1984	Secon	D3/5
4,540,010 A	9/1985	May	
D294,772 S *	3/1988	Baldwin	D3/5
4,836,231 A	6/1989	Peterson	
5,441,068 A	8/1995	Rasch et al.	

5,778,613 A *	7/1998	Thomson	52/222
D432,665 S *	10/2000	Chipman et al.	D25/56
D443,409 S	6/2001	Pilz et al.	
D459,871 S	7/2002	Persson	
D475,524 S *	6/2003	Clarke	D3/5
D478,416 S *	8/2003	Clarke	D3/5
D481,802 S	11/2003	Shilling et al.	
D491,348 S *	6/2004	Clarke	D3/5
D491,720 S *	6/2004	Clarke	D3/5
D497,478 S	10/2004	Clarke	
D502,800 S	3/2005	Snyders	
D516,294 S	3/2006	Olson et al.	
D522,605 S	6/2006	Bishirjian	
D530,023 S	10/2006	Haymann et al.	
D530,433 S	10/2006	Haymann et al.	
D530,827 S	10/2006	Haymann et al.	
D530,829 S	10/2006	Haymann et al.	
D605,308 S	12/2009	Combs	
2008/0041431 A1	2/2008	Tung	

\* cited by examiner

*Primary Examiner* — Cynthia M Chin

(74) *Attorney, Agent, or Firm* — Modiano & Associati;  
Albert Josif; Daniel J. O'Byrne

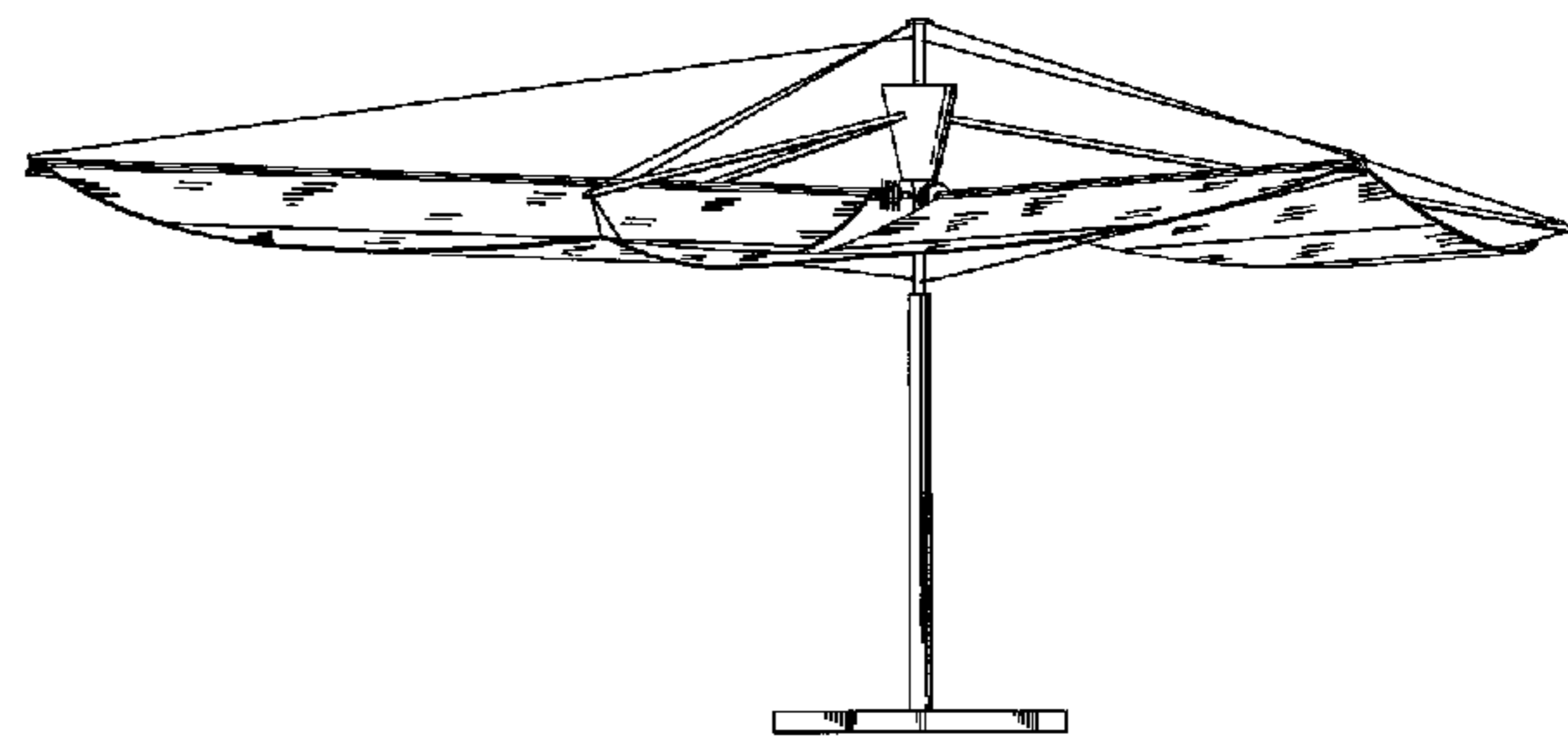
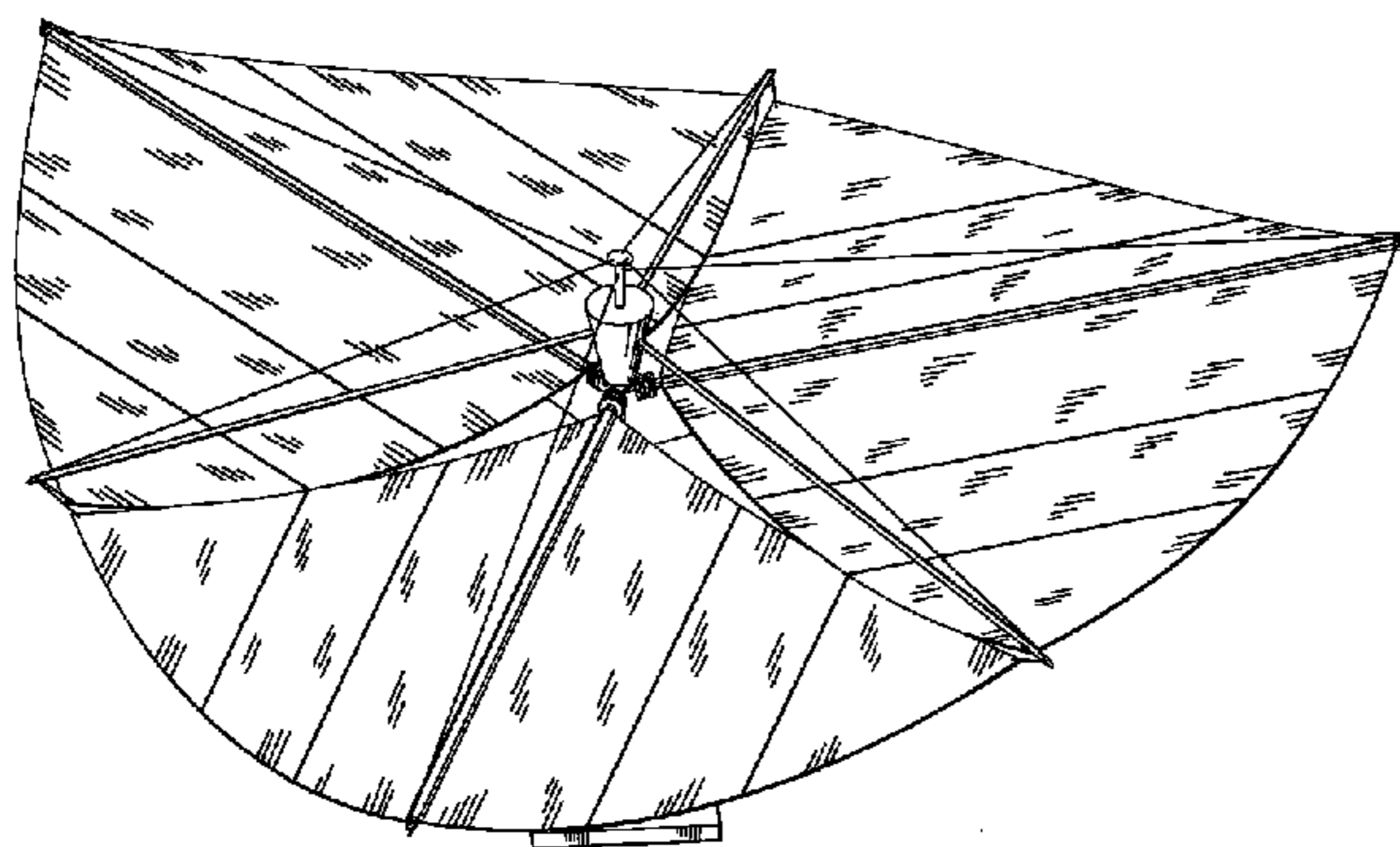
(57) **CLAIM**

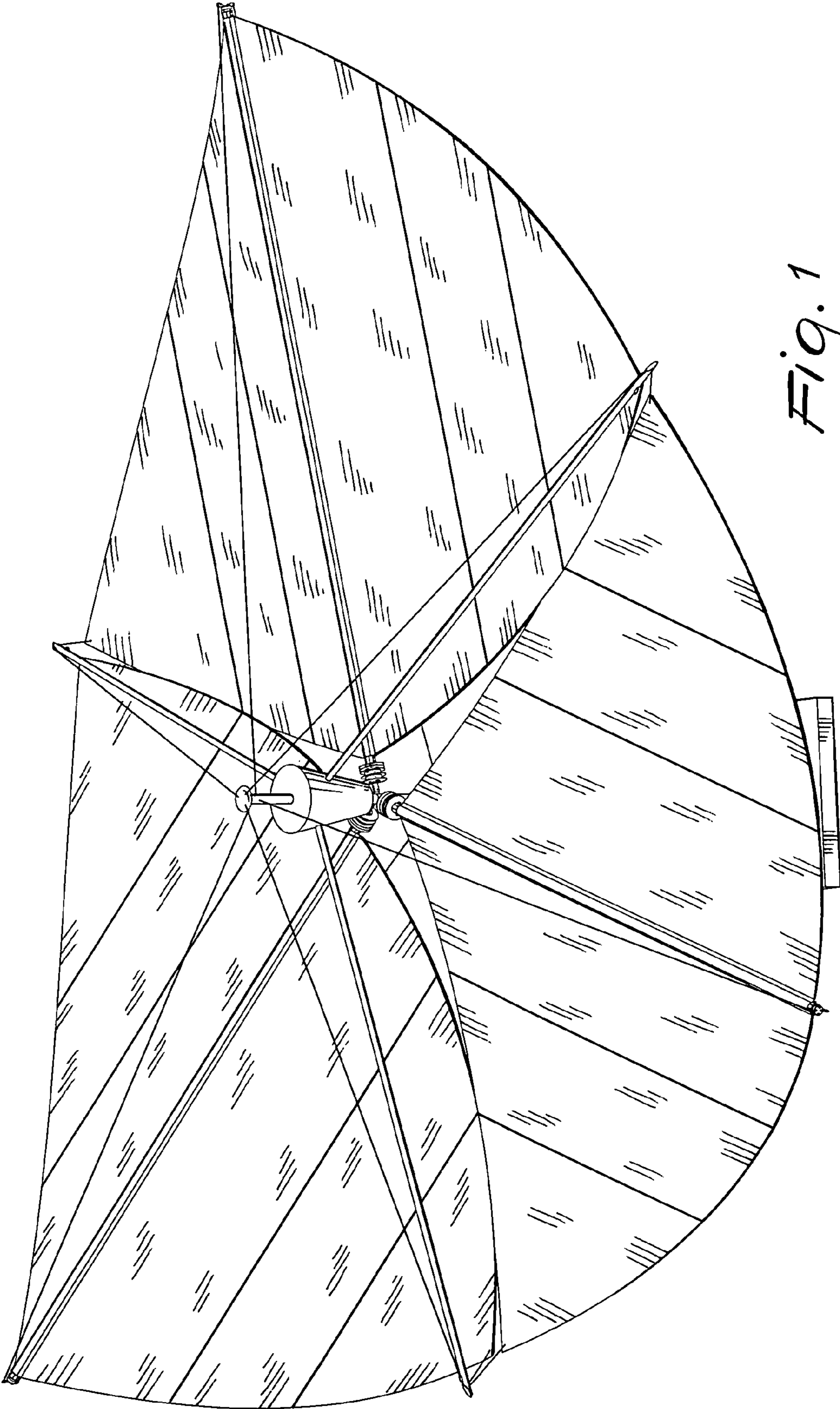
The ornamental design for a canopy, as shown.

**DESCRIPTION**

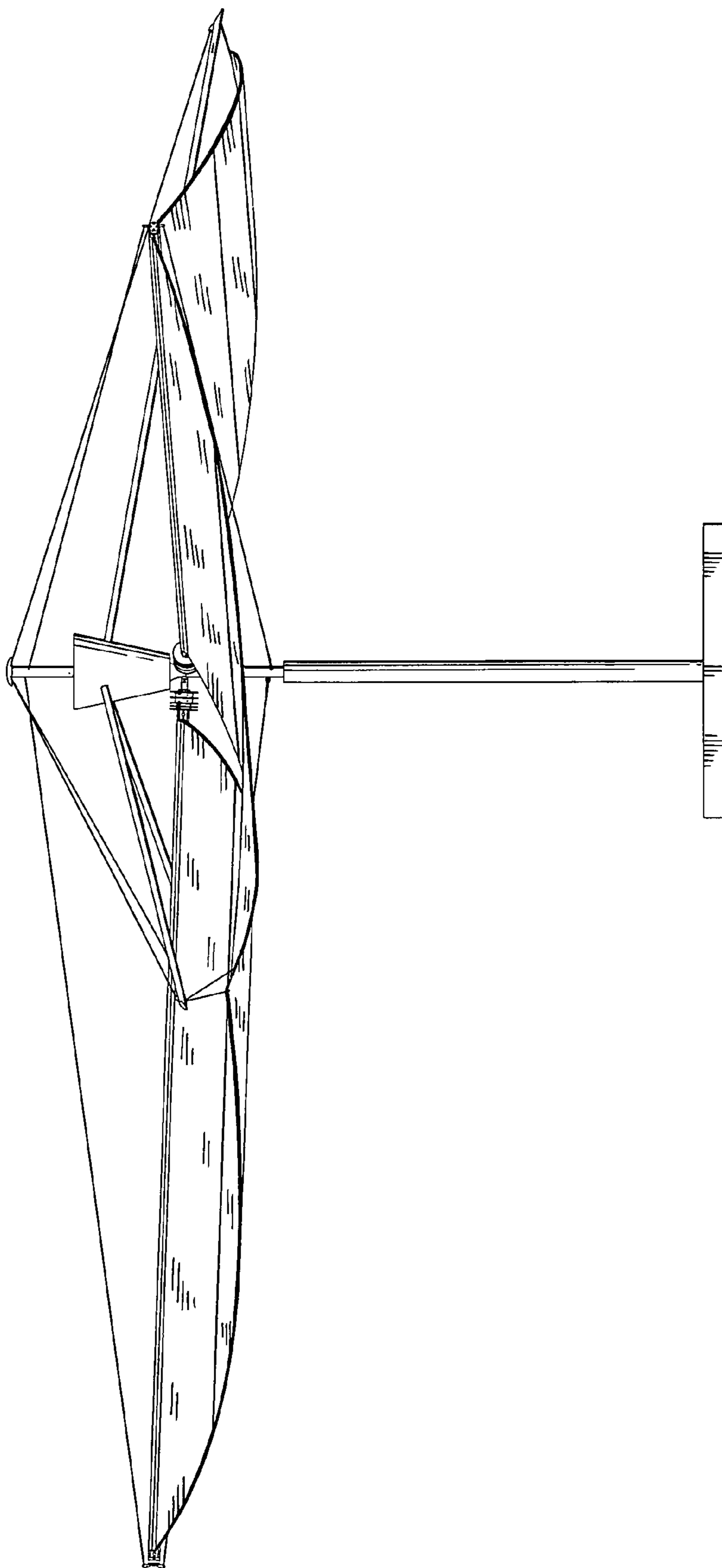
FIG. 1 is a front side perspective view from above of a canopy showing my new design;  
FIG. 2 is a front view thereof;  
FIG. 3 is a side view thereof;  
FIG. 4 is a top view thereof;  
FIG. 5 is a bottom view thereof; and,  
FIG. 6 is a front side perspective view from below thereof.

**1 Claim, 6 Drawing Sheets**

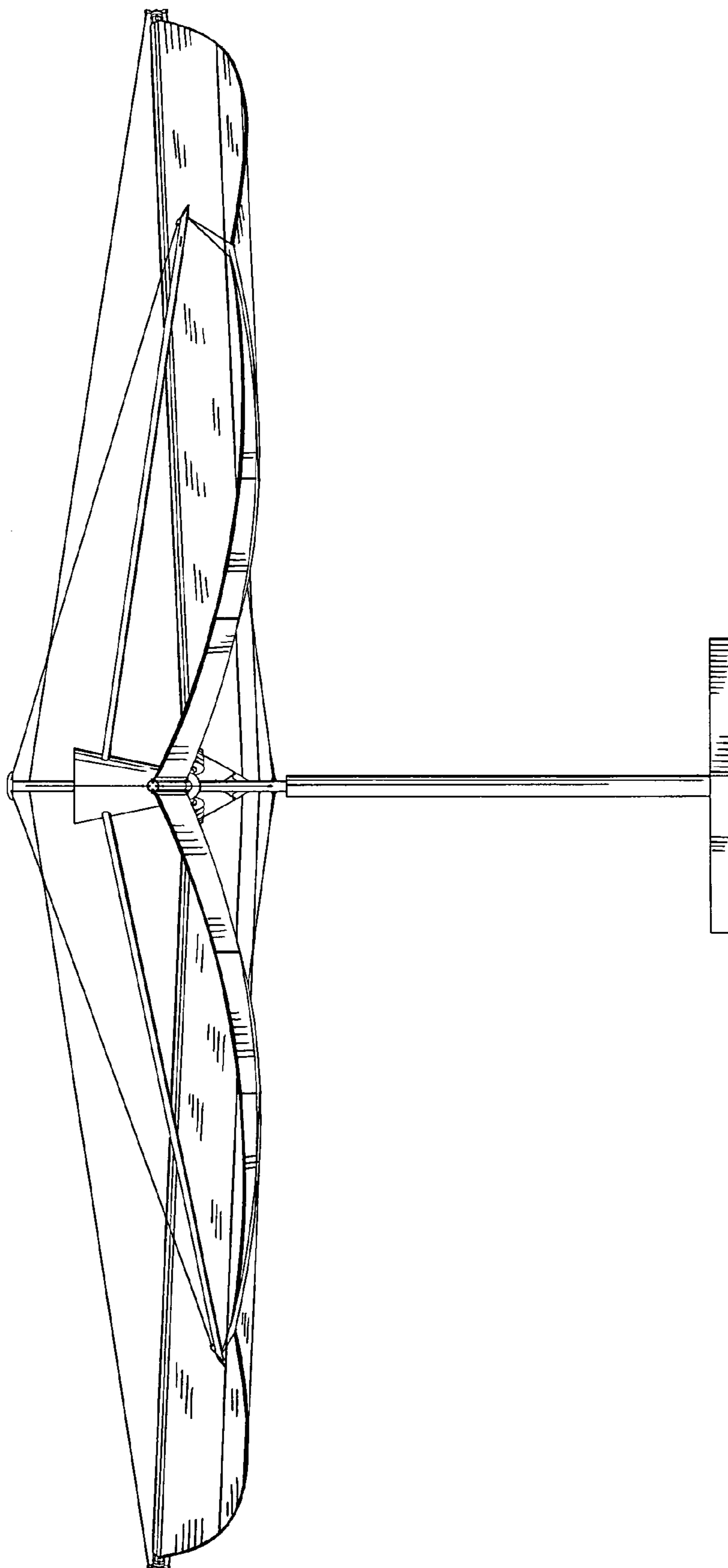




*Fig. 1*

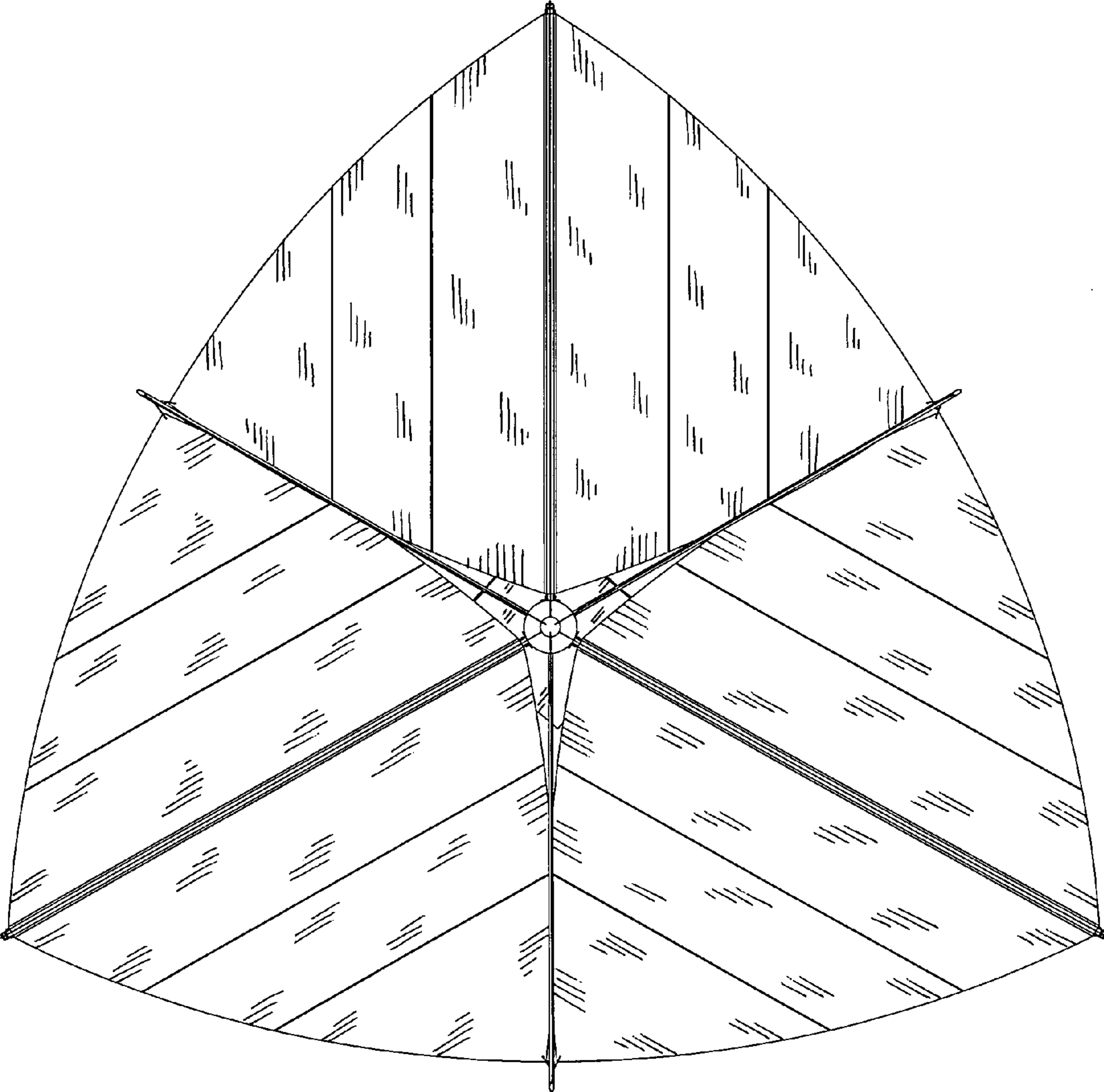


*Fig. 2*

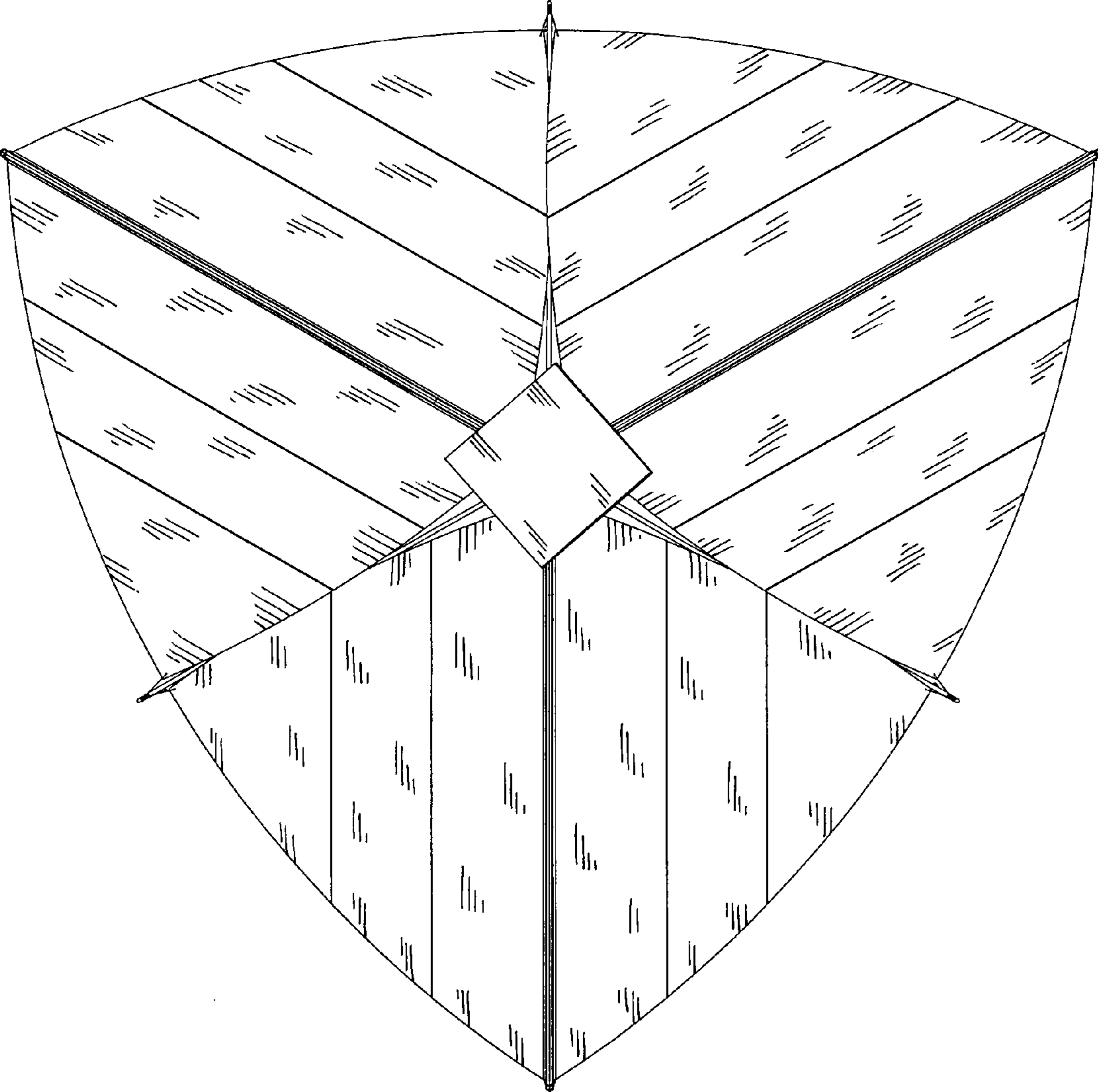


*Fig. 3*

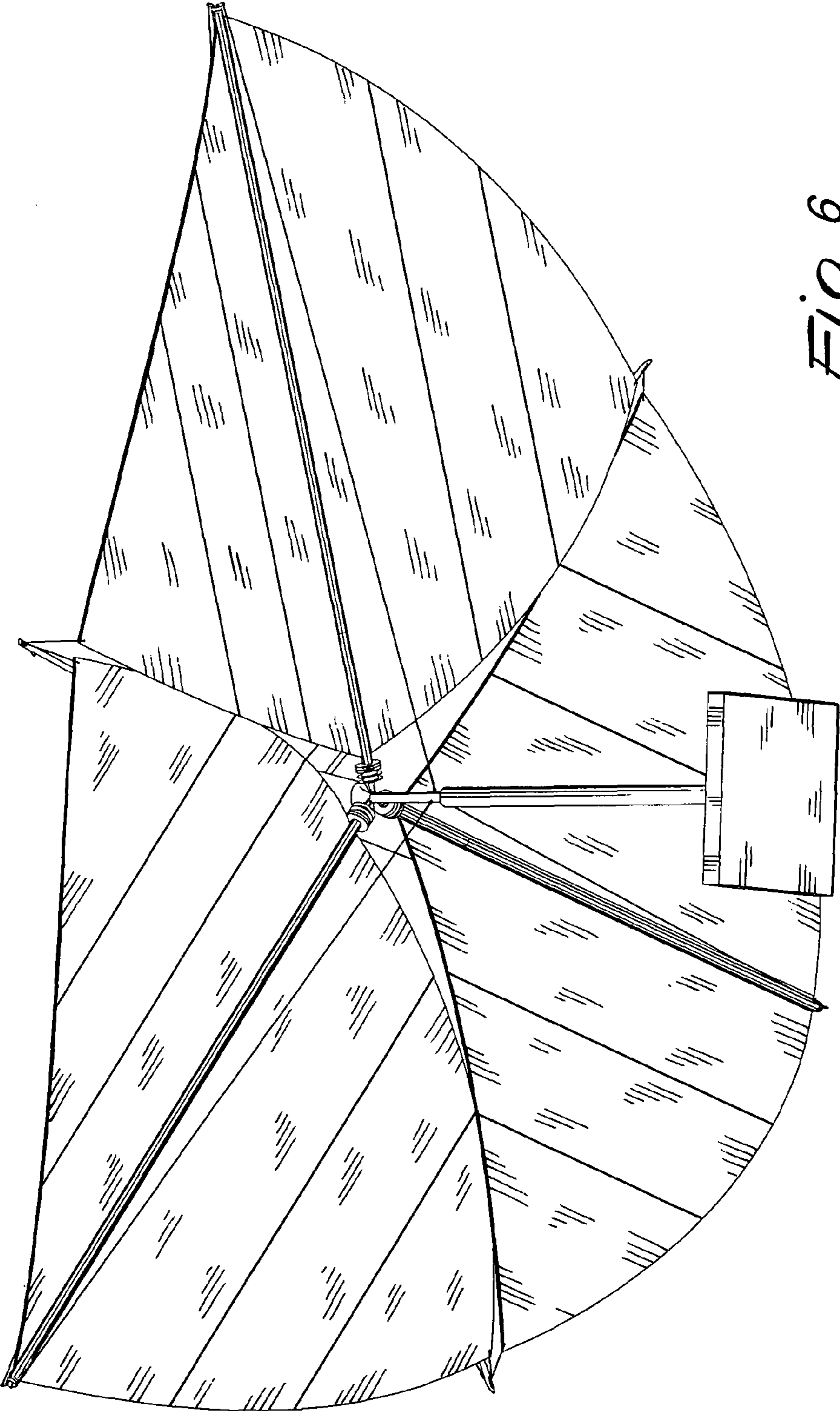




*Fig. 4*



*Fig. 5*



*Fig. 6*