



US00D649610S

(12) **United States Design Patent**  
**Savarese et al.**

(10) **Patent No.:** **US D649,610 S**

(45) **Date of Patent:** **\*\* \*Nov. 29, 2011**

(54) **GOLF CLUB TAG AND GRIP**

(74) *Attorney, Agent, or Firm* — Blakely, Sokoloff, Taylor & Zafman LLP

(75) Inventors: **Chris Savarese**, Danville, CA (US);  
**Noel H. C. Marshall**, Gerringong (AU);  
**Susan McGill**, Redwood City, CA (US);  
**Kenneth P. Gilliland**, Petaluma, CA  
(US)

(57) **CLAIM**

The ornamental design for a golf club tag and grip, as shown and described.

(73) Assignee: **Radar Corporation**, San Ramon, CA  
(US)

**DESCRIPTION**

(\*\*) Term: **14 Years**

(21) Appl. No.: **29/375,140**

(22) Filed: **Sep. 17, 2010**

FIG 1 is a top view of a fourth embodiment of the golf club grip and a first embodiment of an end-cap with a vent hole offset from the center of the golf club grip coupled to the golf club grip;

FIG 2 is a side view of the fourth embodiment of the golf club grip and the first embodiment of an end-cap with a transparent window 131 coupled to the golf club grip at 132;

FIG 3 is a perspective view of the fourth embodiment of the golf club grip coupled to the first embodiment of the end-cap;

FIG 4 is a top view of a fifth embodiment of the golf club grip with a second embodiment of the end-cap coupled to the golf-club grip;

FIG 5 is a side view of the fifth embodiment of the golf club and the second embodiment of the end-cap with a transparent window 161 coupled to the golf club grip at 162;

FIG 6 is a perspective view of the fifth embodiment of the golf club grip with the second embodiment of the end-cap coupled to the golf club grip;

FIG 7 is a top view of a twenty-third embodiment of the golf club grip with a vent hole offset from the center of the golf club grip;

FIG 8 is a side view of the twenty-third embodiment of the golf club grip with a transparent window 7431;

FIG 9 is a perspective view of the twenty-third embodiment of the golf club grip with a transparent window;

FIG 10 is a top view of a twenty-fourth embodiment of the golf club grip;

FIG 11 is a side view of the twenty-fourth embodiment of the golf club grip with transparent window 7761; and,

FIG 12 is a perspective view of the twenty-fourth embodiment of the golf club with a transparent window.

**Related U.S. Application Data**

(63) Continuation-in-part of application No. 29/358,183, filed on Mar. 23, 2010, now Pat. No. Des. 627,021.

(51) **LOC (9) Cl.** ..... **21-02**

(52) **U.S. Cl.** ..... **D21/756**

(58) **Field of Classification Search** ..... D21/789,  
D21/793-794, 756-758, 460, 753; 473/285,  
473/406, 300-303, 404, 407; 446/256; 340/368.6  
See application file for complete search history.

(56) **References Cited**

**U.S. PATENT DOCUMENTS**

D32,971 S \* 7/1900 Smith ..... D21/460  
2,446,622 A \* 8/1948 Turner ..... 69/21  
4,380,337 A 4/1983 DiMatteo  
D314,600 S \* 2/1991 Tosti ..... D21/756

(Continued)

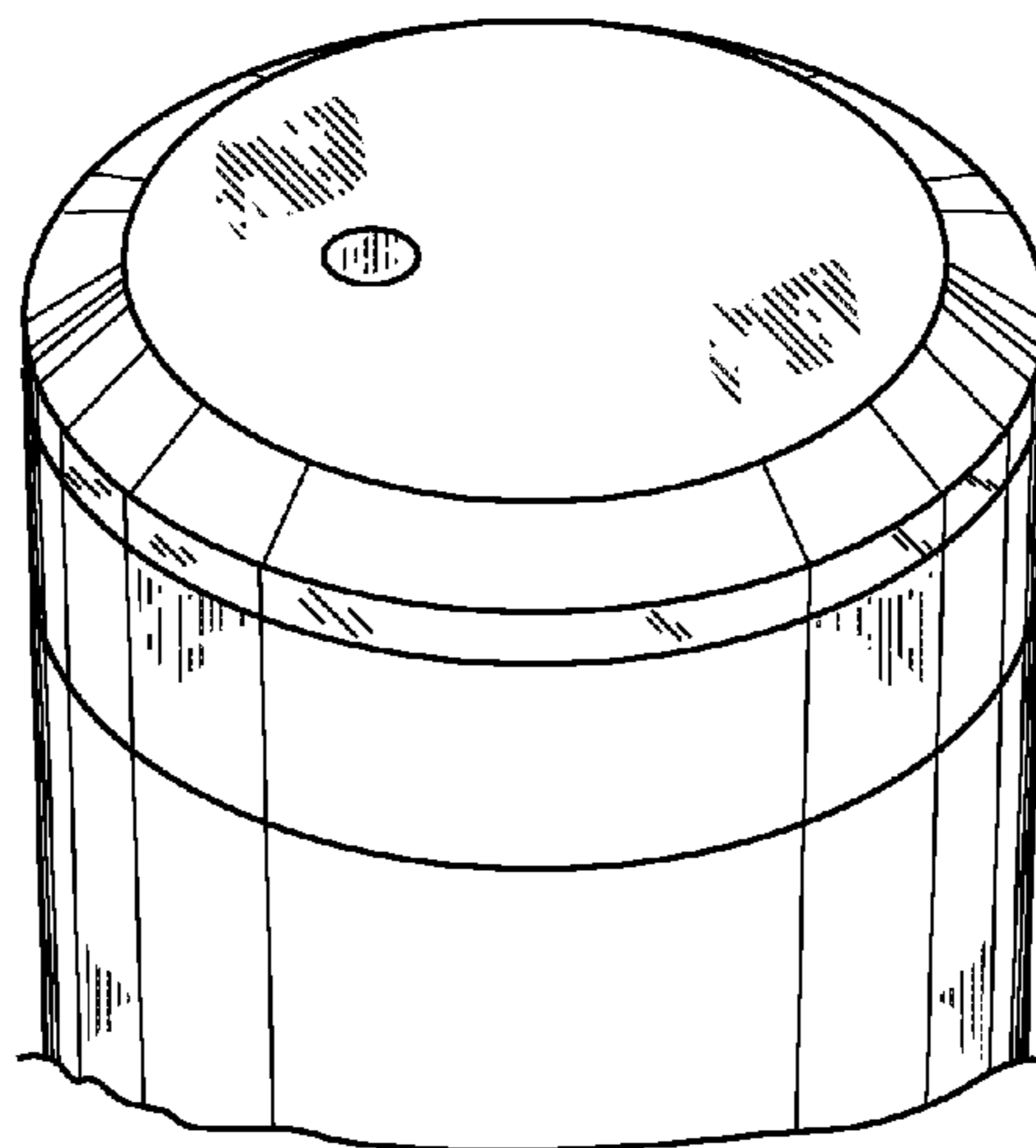
**FOREIGN PATENT DOCUMENTS**

GB 2440027 A 1/2008

(Continued)

*Primary Examiner* — Mitchell Siegel

**1 Claim, 8 Drawing Sheets**



# US D649,610 S

Page 2

## U.S. PATENT DOCUMENTS

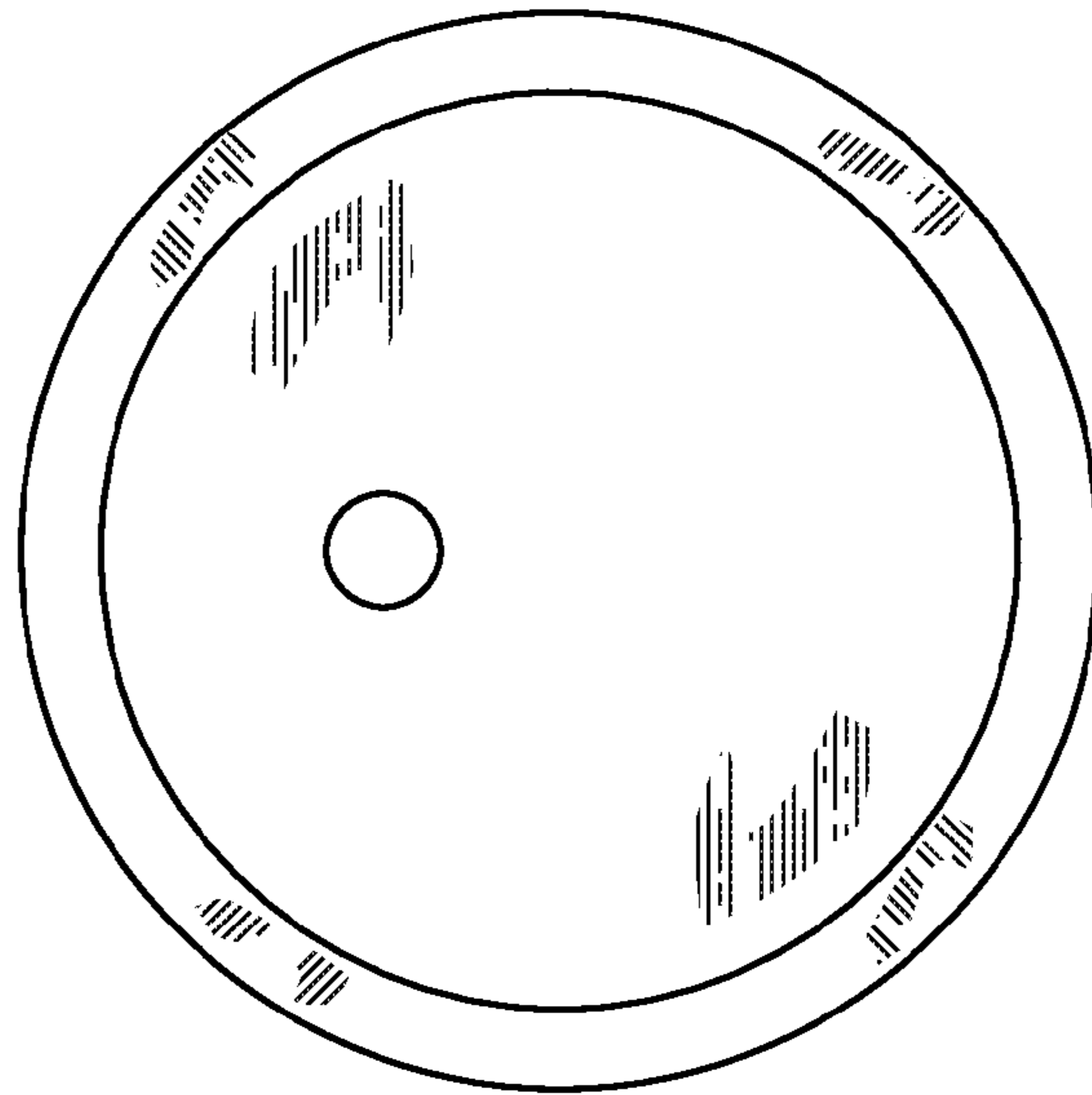
D319,278 S \* 8/1991 Tosti ..... D21/756  
D319,862 S \* 9/1991 Lahger ..... D21/794  
D360,447 S 7/1995 Howe et al.  
5,476,258 A \* 12/1995 Frisone ..... 473/404  
D379,394 S 5/1997 Fortis  
D410,518 S \* 6/1999 Didier et al. .... D21/789  
6,118,376 A \* 9/2000 Regester ..... 340/568.6  
D432,197 S \* 10/2000 Carr ..... D21/789  
D450,364 S \* 11/2001 Kersten ..... D21/789  
D464,694 S \* 10/2002 Moore ..... D21/756  
D472,703 S \* 4/2003 Wampler et al. .... D21/796  
D488,202 S \* 4/2004 Jaffe ..... D21/756  
D489,781 S \* 5/2004 Lane ..... D21/743  
D523,507 S \* 6/2006 Perry et al. .... D21/756  
D523,512 S \* 6/2006 Rydzynski et al. .... D21/796  
D536,048 S \* 1/2007 Chen ..... D21/756  
D538,869 S \* 3/2007 Wang et al. .... D21/756

D564,610 S \* 3/2008 Chen ..... D21/756  
7,399,235 B2 7/2008 Gill et al.  
D584,781 S \* 1/2009 Chen ..... D21/756  
D593,172 S \* 5/2009 Gill et al. .... D21/756  
D595,380 S \* 6/2009 Koehler ..... D21/756  
D602,104 S \* 10/2009 Black et al. .... D21/756  
D627,023 S \* 11/2010 Hsu ..... D21/756  
D629,857 S \* 12/2010 Gill et al. .... D21/756  
7,931,544 B2 4/2011 Gill

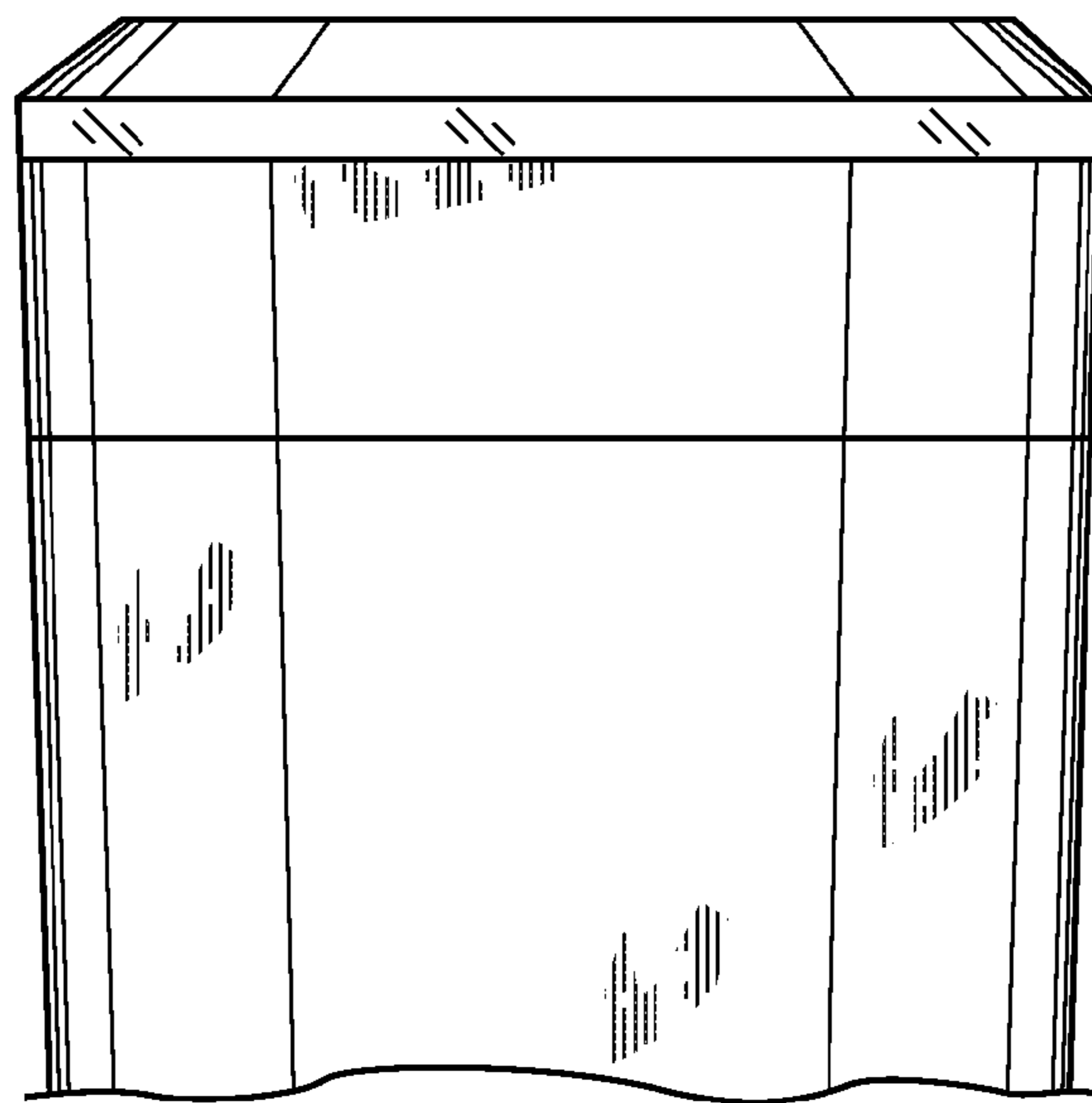
## FOREIGN PATENT DOCUMENTS

JP SHO 52-041255 3/1977  
JP SHO 54-4068 1/1979  
JP SHO 59-017370 1/1984  
JP HEI 1-069563 5/1989  
JP 2000-037487 8/2000

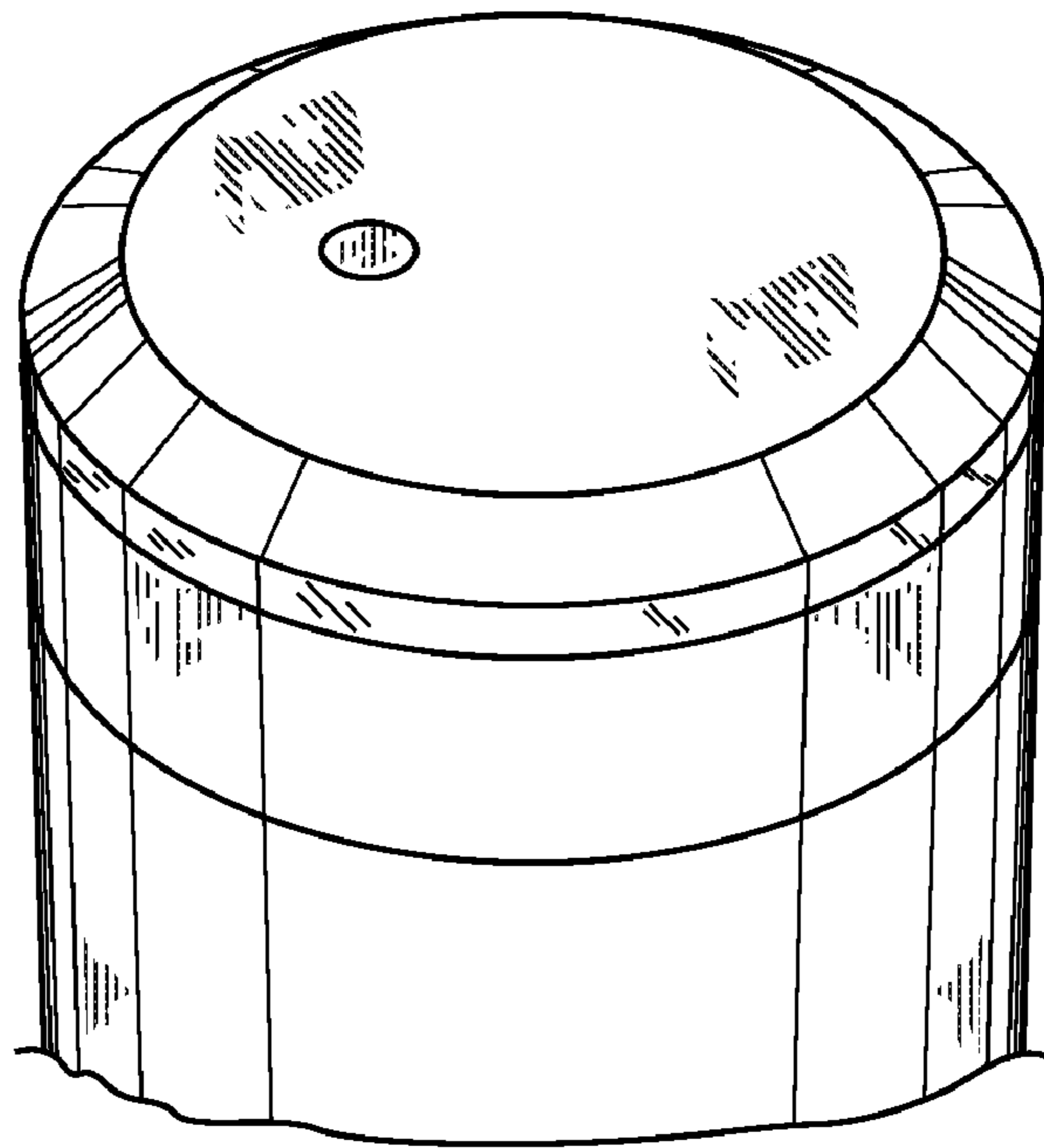
\* cited by examiner



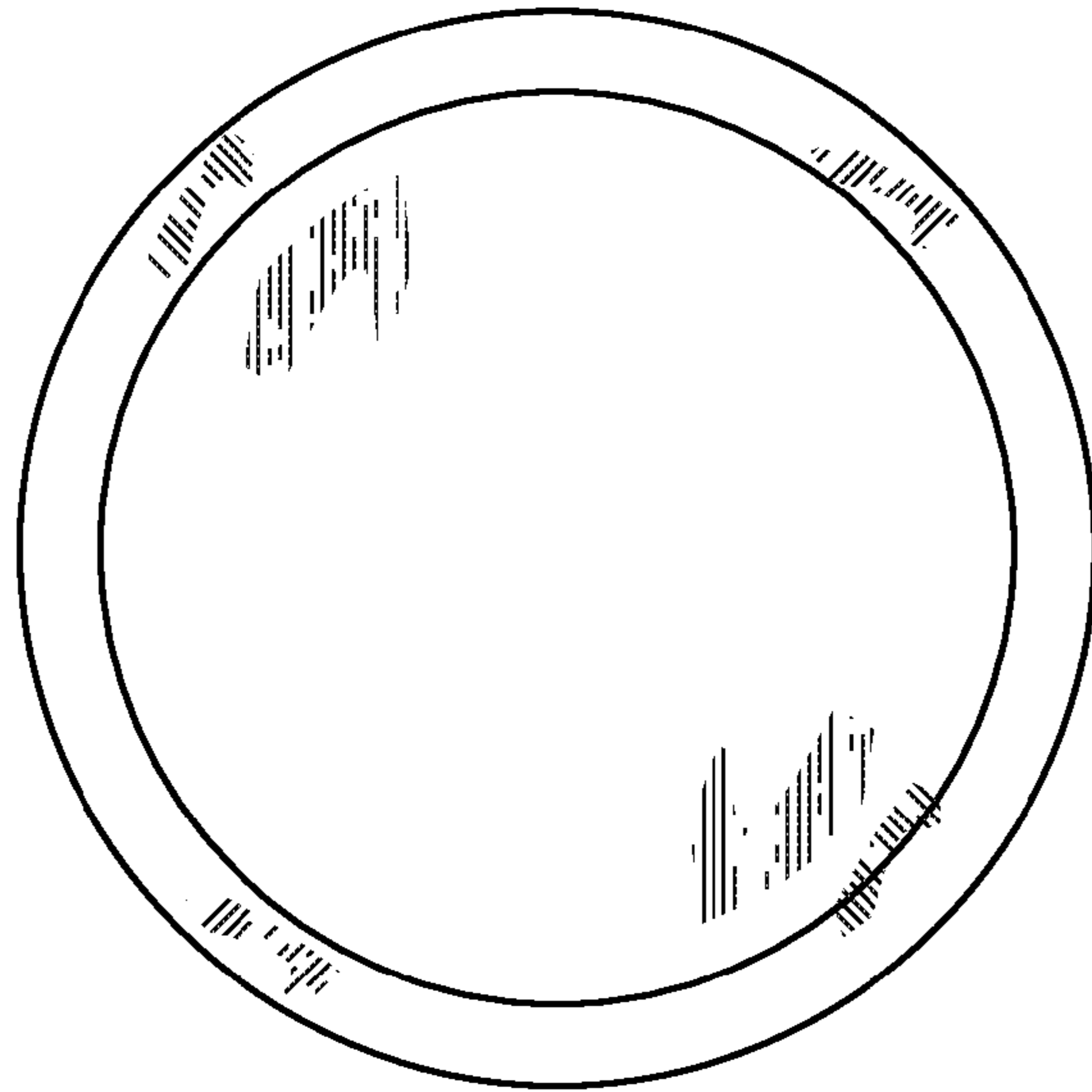
**FIG. 1**



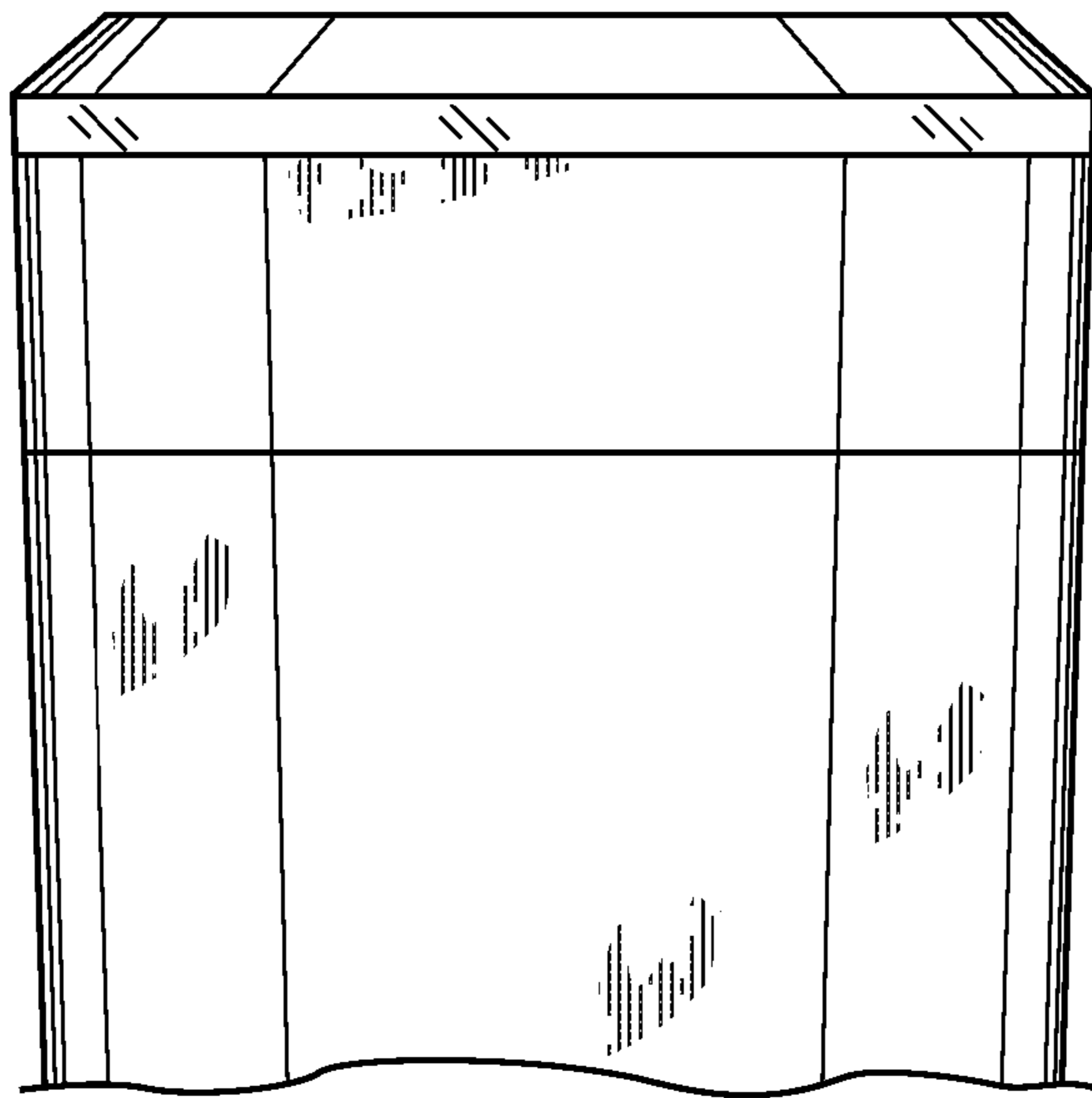
**FIG. 2**



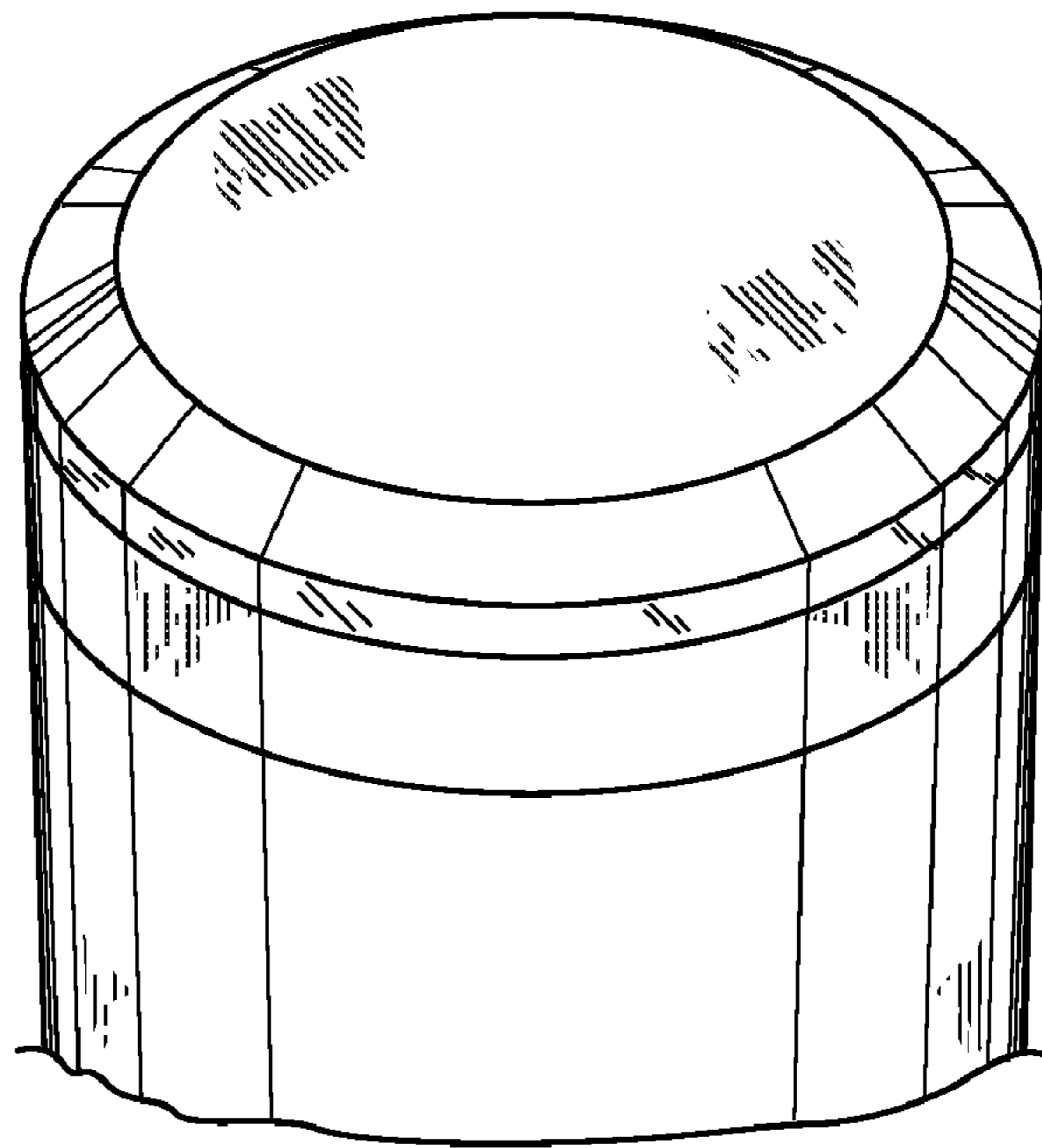
**FIG. 3**



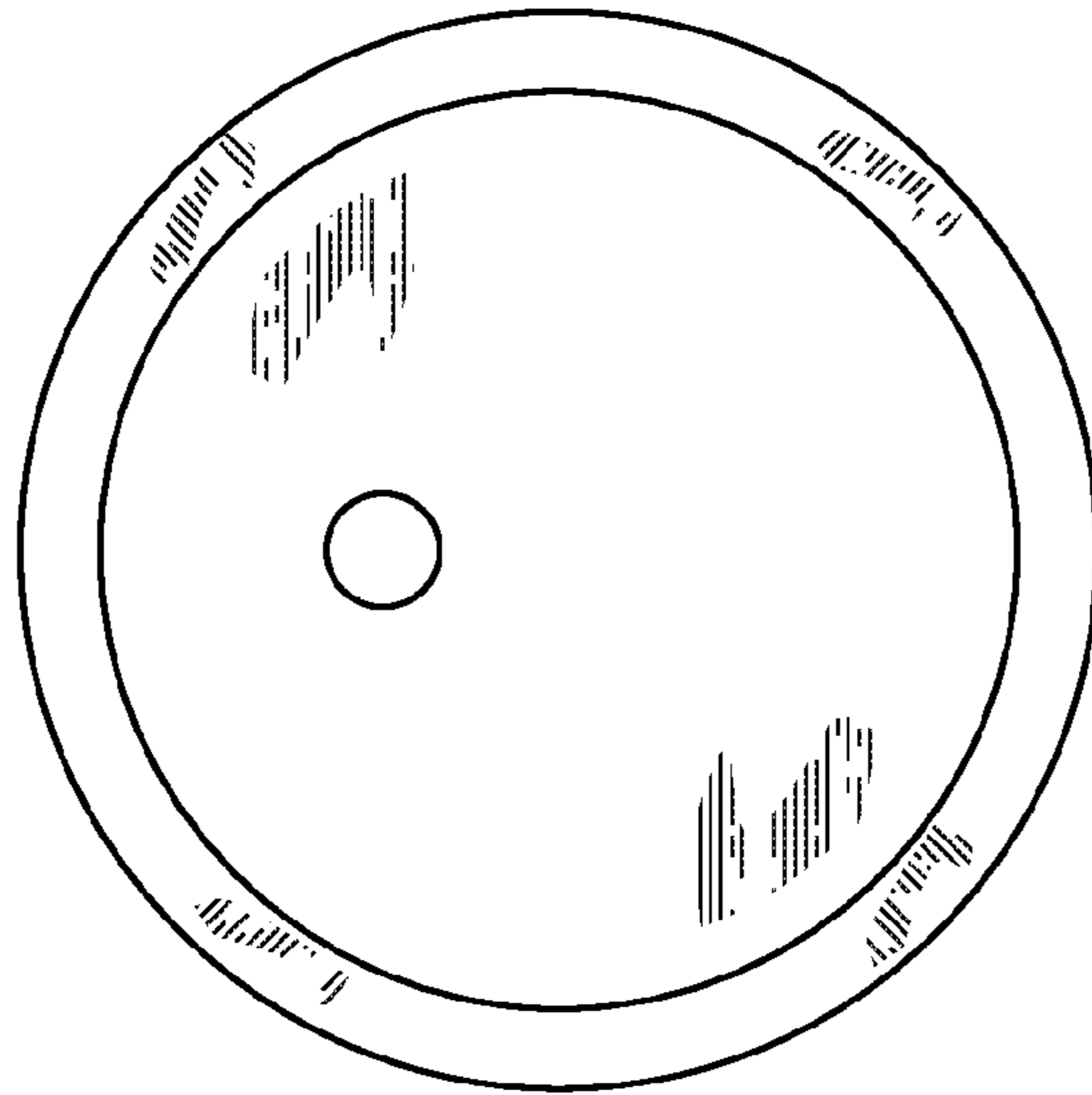
**FIG. 4**



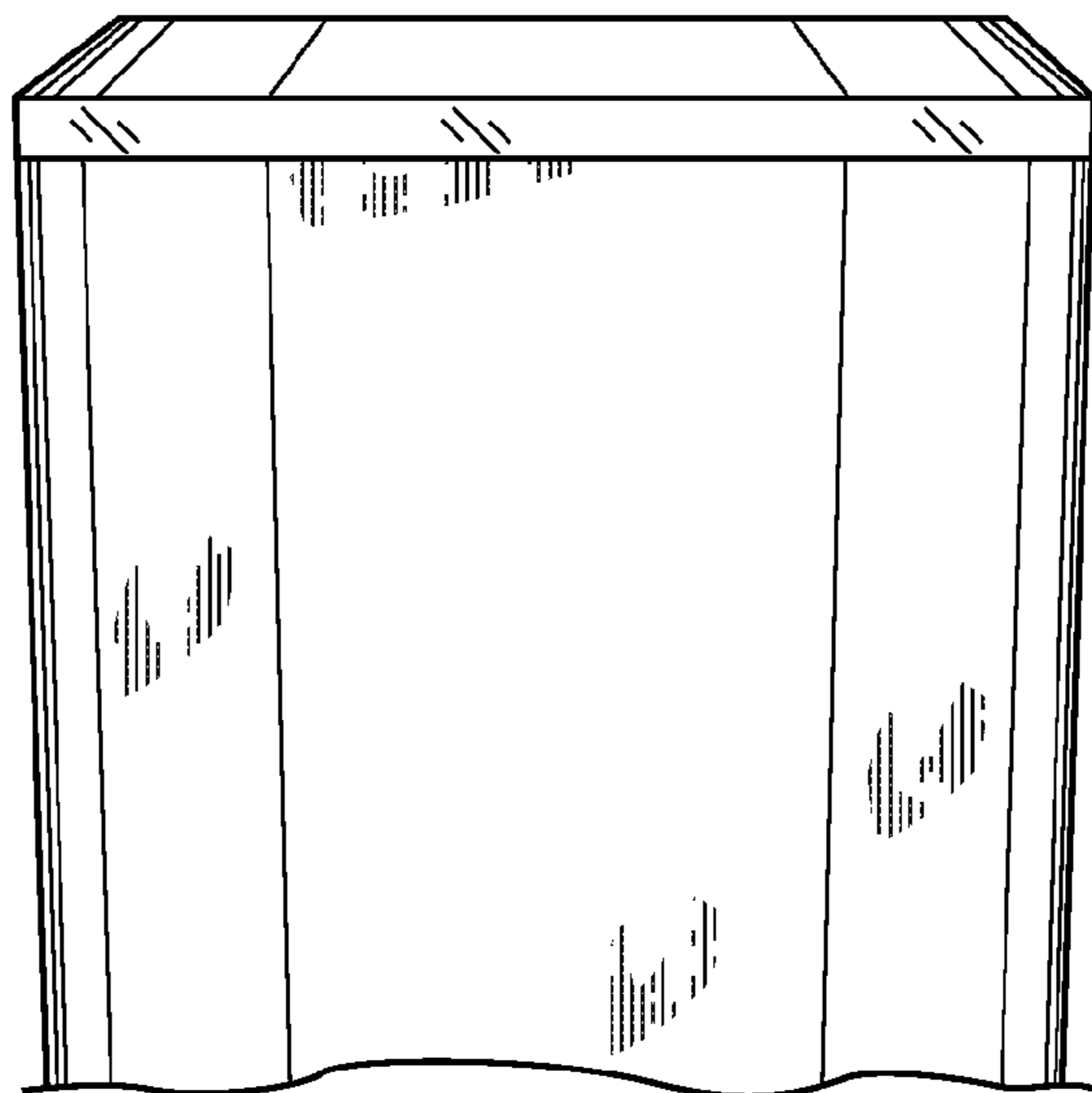
**FIG. 5**



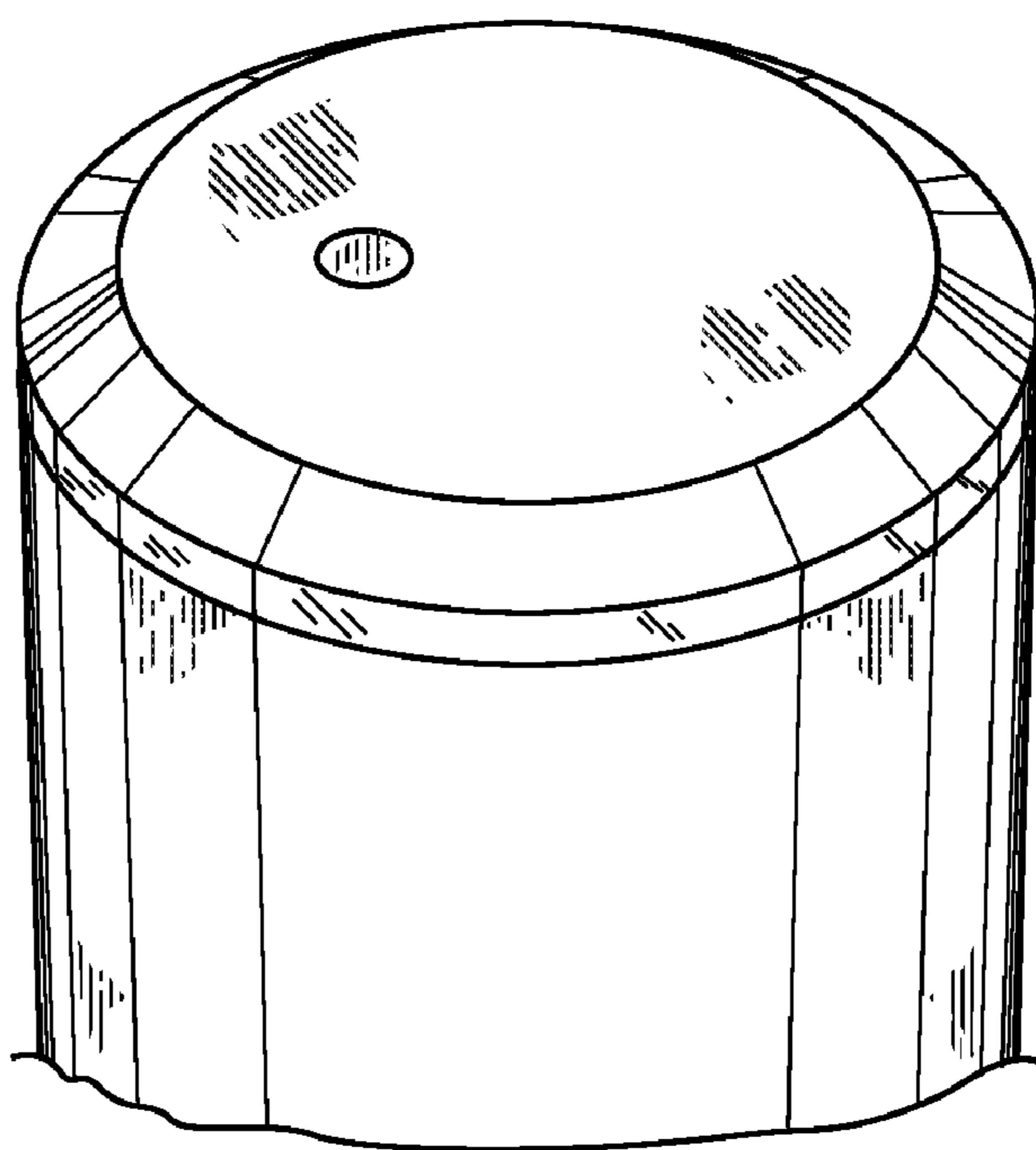
**FIG. 6**



**FIG. 7**

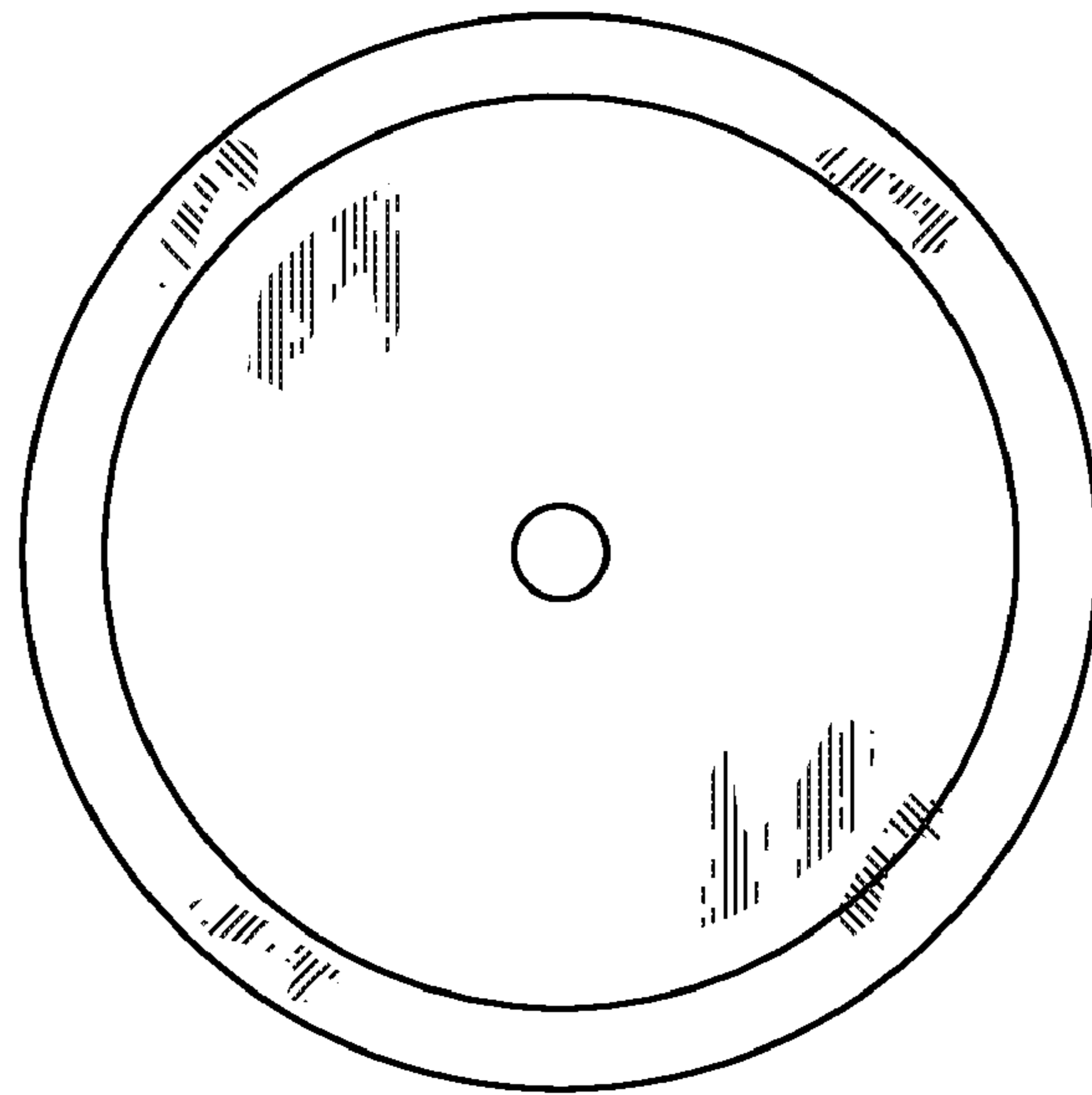


**FIG. 8**

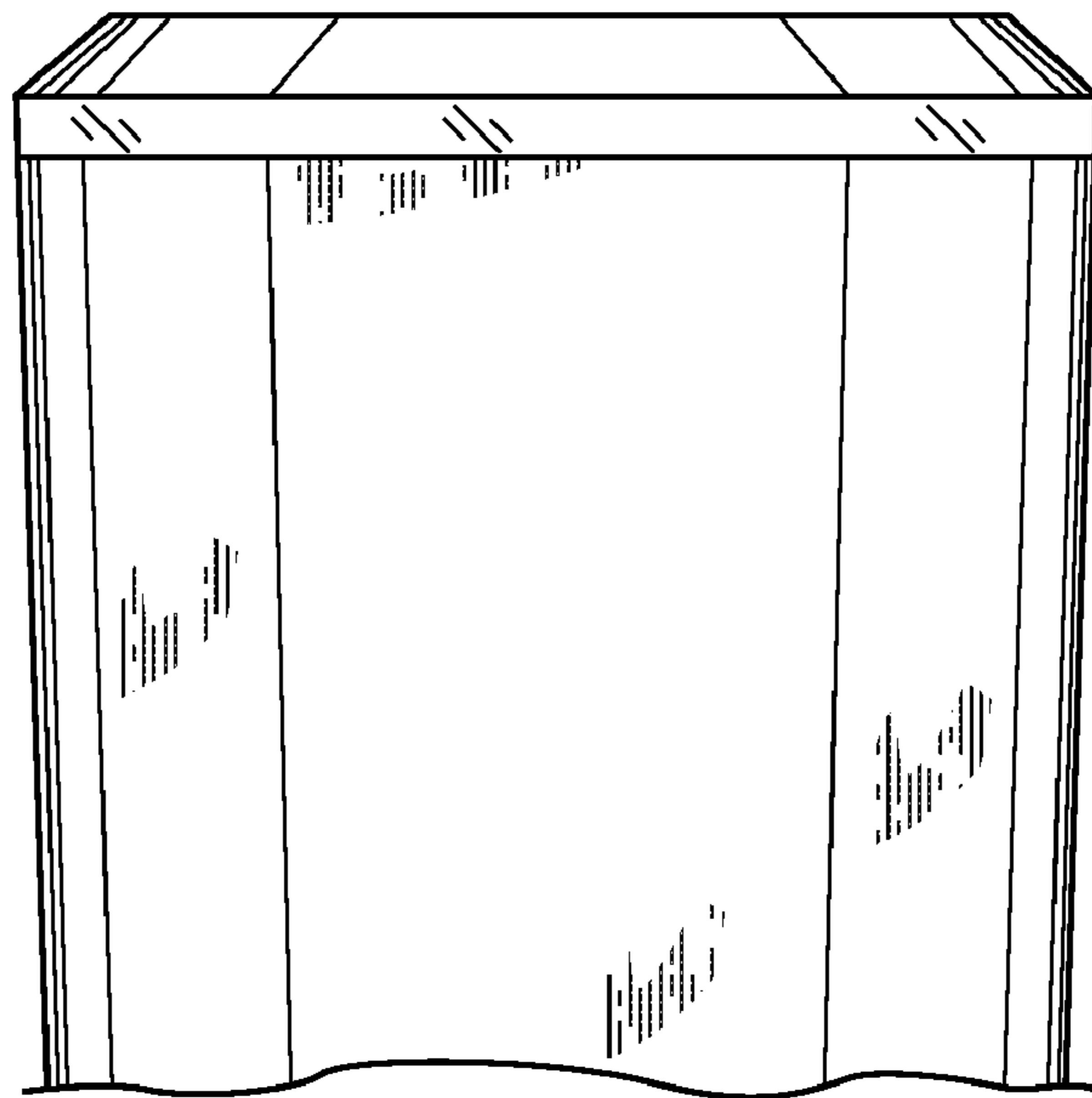


**FIG. 9**

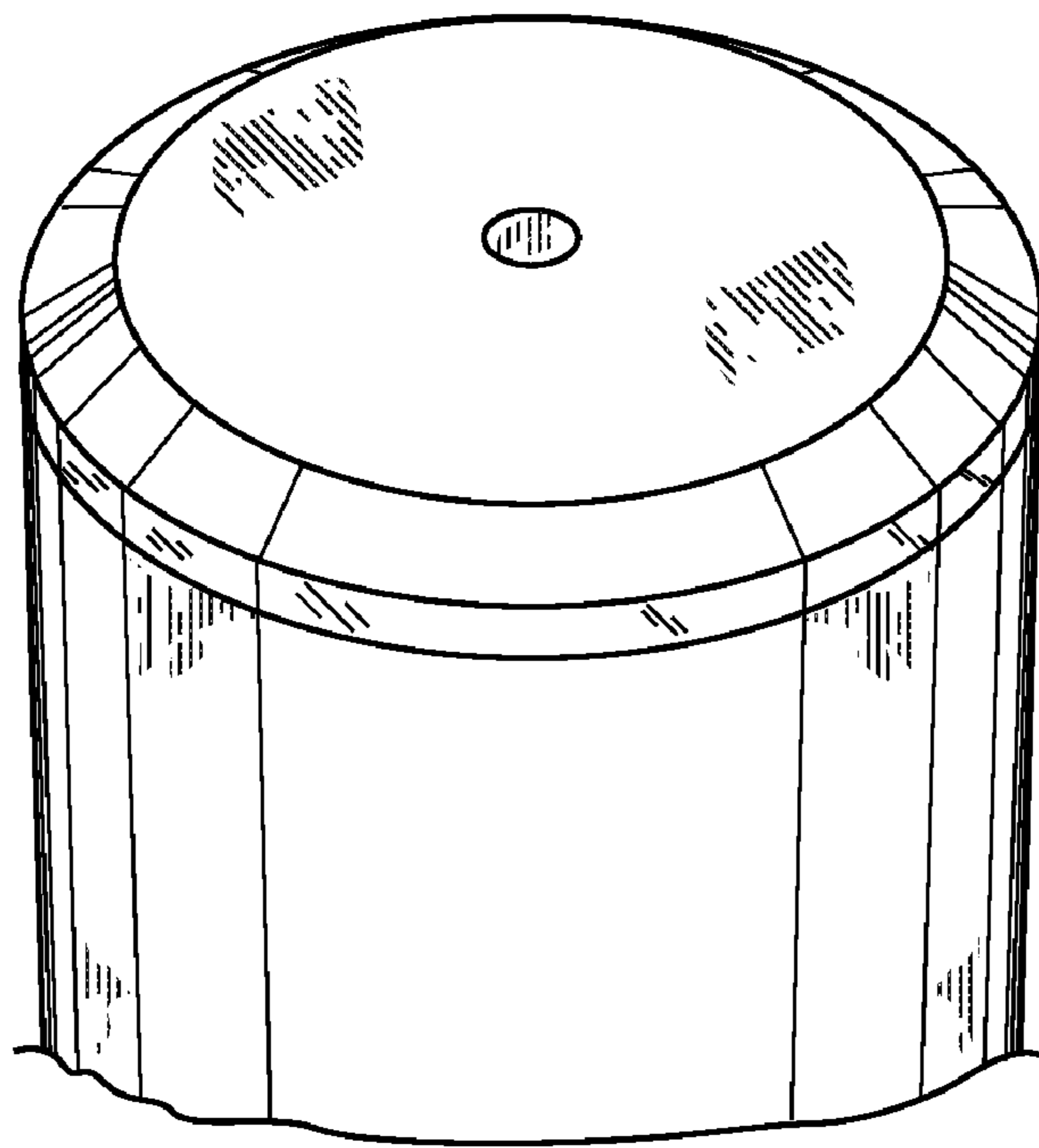




**FIG. 10**



**FIG. 11**



**FIG. 12**