



US00D649607S

(12) **United States Design Patent**
Lull

(10) **Patent No.:** **US D649,607 S**

(45) **Date of Patent:** **** *Nov. 29, 2011**

(54) **EXERCISE BICYCLE**

(75) Inventor: **Andrew Lull**, Boulder, CO (US)

(73) Assignee: **Foundation Fitness, LLC**, Portland, OR (US)

(**) Term: **14 Years**

(21) Appl. No.: **29/376,422**

(22) Filed: **Oct. 6, 2010**

(51) **LOC (9) Cl.** **21-02**

(52) **U.S. Cl.** **D21/697**

(58) **Field of Classification Search** D21/662,
D21/663-669, 694, 697; 482/51, 53, 57,
482/58, 60, 62-65, 130, 146; D12/111
See application file for complete search history.

6,612,970	B2	9/2003	Forcillo	
6,669,603	B1	12/2003	Forcillo	
D507,313	S	7/2005	Goldberg	
7,004,888	B1	2/2006	Weng	
7,011,607	B2	3/2006	Kolda et al.	
D520,922	S	5/2006	Forcillo	
D532,063	S	11/2006	Kim et al.	
D533,237	S	12/2006	Lassanske et al.	
7,172,532	B2	2/2007	Baker	
7,226,393	B2	6/2007	Baker	
D571,417	S *	6/2008	Su	D21/667
7,413,530	B2	8/2008	Warner et al.	
7,455,627	B2	11/2008	Goldberg	
D616,050	S *	5/2010	Lull	D21/667
7,771,325	B2	8/2010	Baker	
D624,612	S *	9/2010	Watt	D21/667
D625,762	S *	10/2010	Fon	D21/667
7,850,577	B2	12/2010	Warner et al.	
2004/0053750	A1 *	3/2004	Forcillo	482/57
2005/0221961	A1	10/2005	Forcillo	
2006/0003870	A1 *	1/2006	Corbalis et al.	482/57

(Continued)

(56) **References Cited**

U.S. PATENT DOCUMENTS

3,833,216	A *	9/1974	Philbin	482/64
D275,589	S *	9/1984	Gustafsson	D21/667
4,673,177	A	6/1987	Szymiski	
D291,462	S *	8/1987	Aalto	D21/667
D296,457	S *	6/1988	Anitua	D21/667
D306,626	S	3/1990	Szymiski et al.	
D307,166	S *	4/1990	Wu	D21/667
5,393,281	A *	2/1995	Chen	482/57
5,423,728	A	6/1995	Goldberg	
D372,284	S *	7/1996	Wang et al.	D21/667
D380,796	S *	7/1997	Wang et al.	D21/667
D382,925	S *	8/1997	Wu	D21/667
5,961,424	A *	10/1999	Warner et al.	482/63
D460,133	S *	7/2002	Baker	D21/697
D460,794	S *	7/2002	Baker	D21/667
6,468,185	B1	10/2002	Goldberg	
D465,818	S	11/2002	Goldberg	
6,491,606	B1	12/2002	Swift	
D473,274	S	4/2003	Baudhuin et al.	
D473,602	S *	4/2003	Baudhuin et al.	D21/697
D474,252	S	5/2003	Lull et al.	

Primary Examiner — Susan E Krakower

(74) *Attorney, Agent, or Firm* — Polsinelli Shughart PC

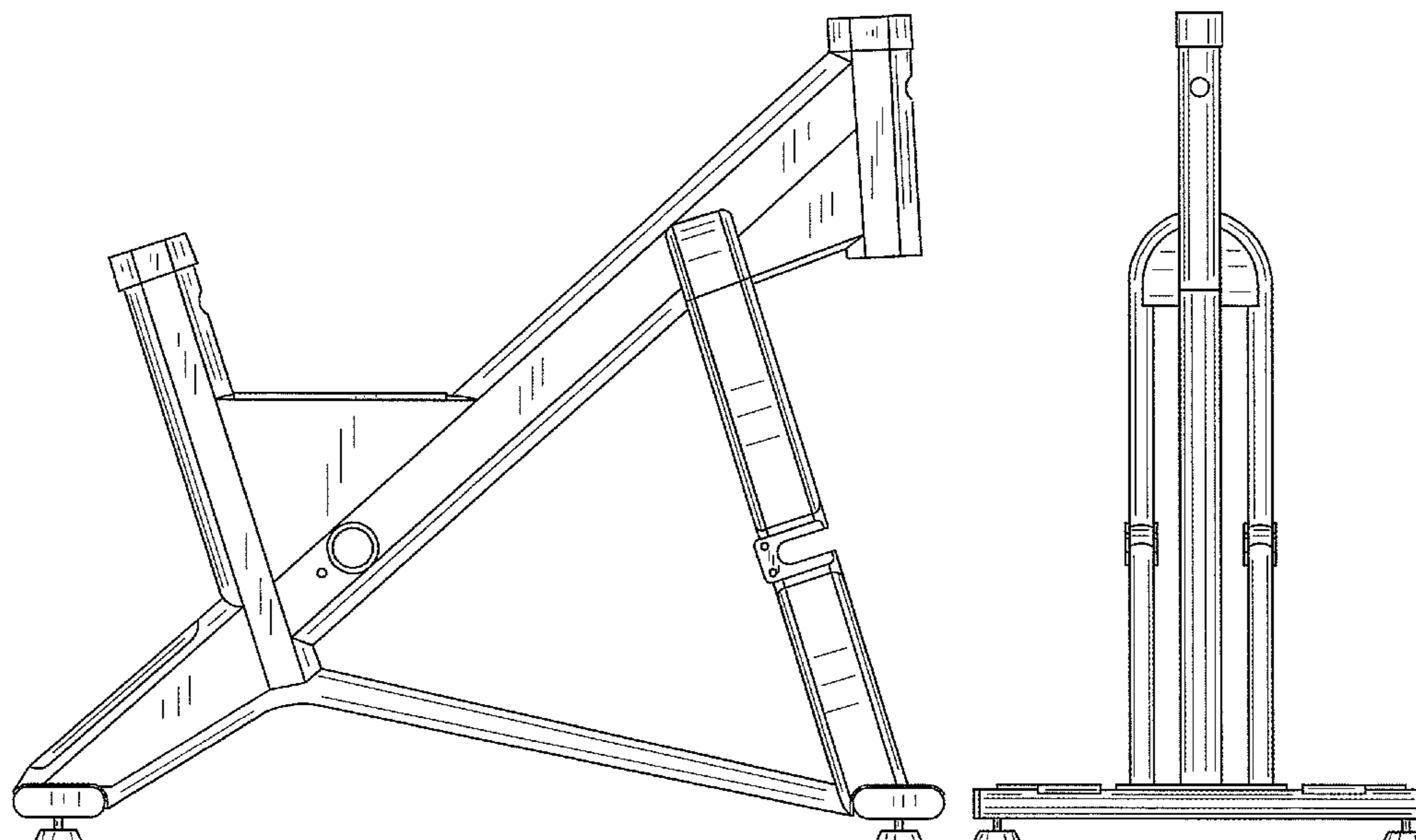
(57) **CLAIM**

The ornamental design for an exercise bicycle, as shown and described.

DESCRIPTION

FIG. 1 is an isometric view of the exercise bicycle; FIG. 2 is a first side view of the exercise bicycle; FIG. 3 is a front view of the exercise bicycle; FIG. 4 is a second side view of the exercise bicycle; FIG. 5 is a rear view of the exercise bicycle; FIG. 6 is a top view of the exercise bicycle; and, FIG. 7 is a bottom view of the exercise bicycle. The broken lines illustrate portions of the exercise bicycle which form no part of the claimed design.

1 Claim, 6 Drawing Sheets



US D649,607 S

Page 2

U.S. PATENT DOCUMENTS

2006/0079382 A1 4/2006 Lassanke et al.
2006/0234840 A1 10/2006 Watson et al.
2007/0161459 A1 7/2007 Watson

2008/0033311 A1 2/2008 Sledge
2008/0096725 A1 4/2008 Keiser

* cited by examiner

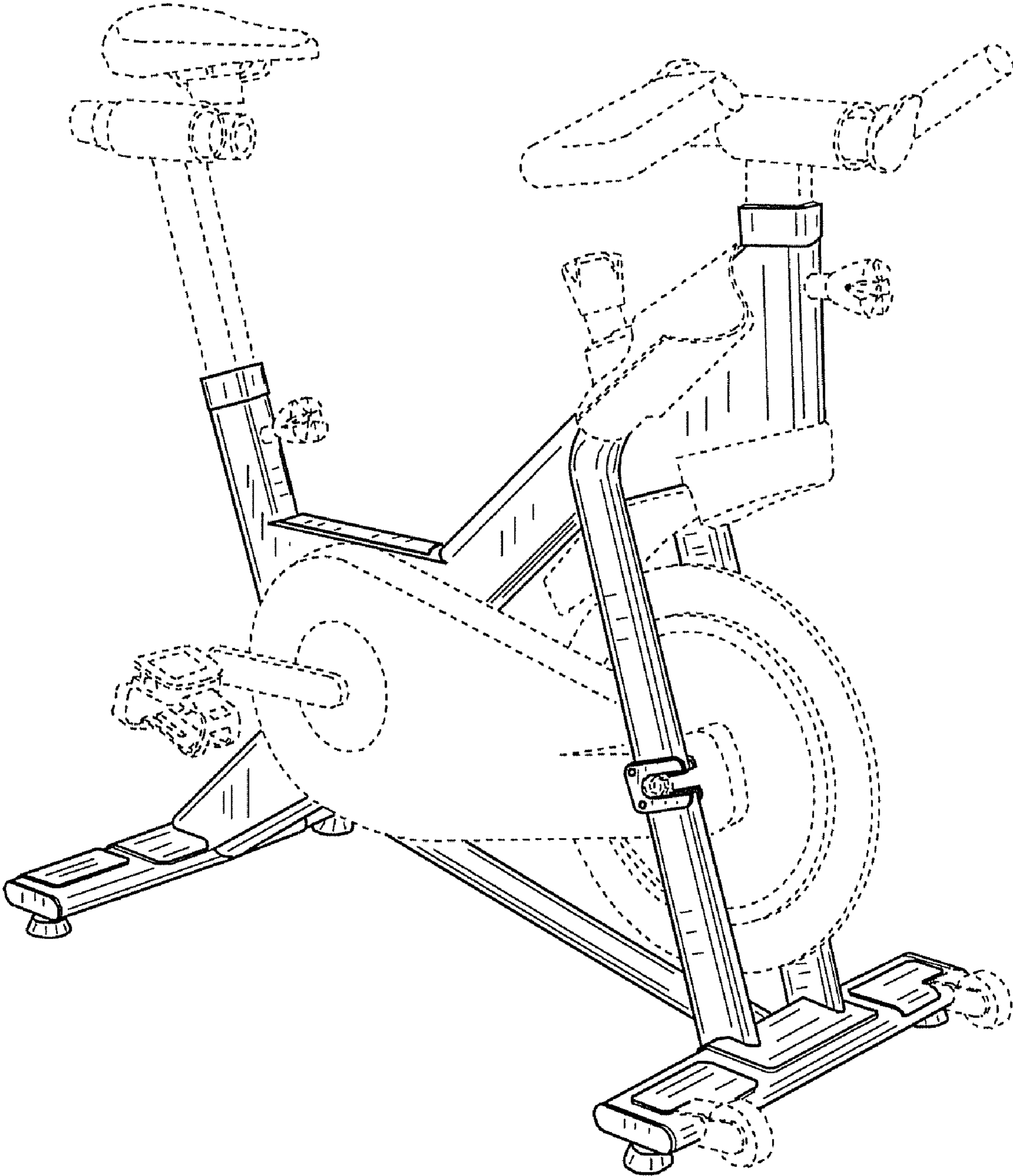


FIG. 1

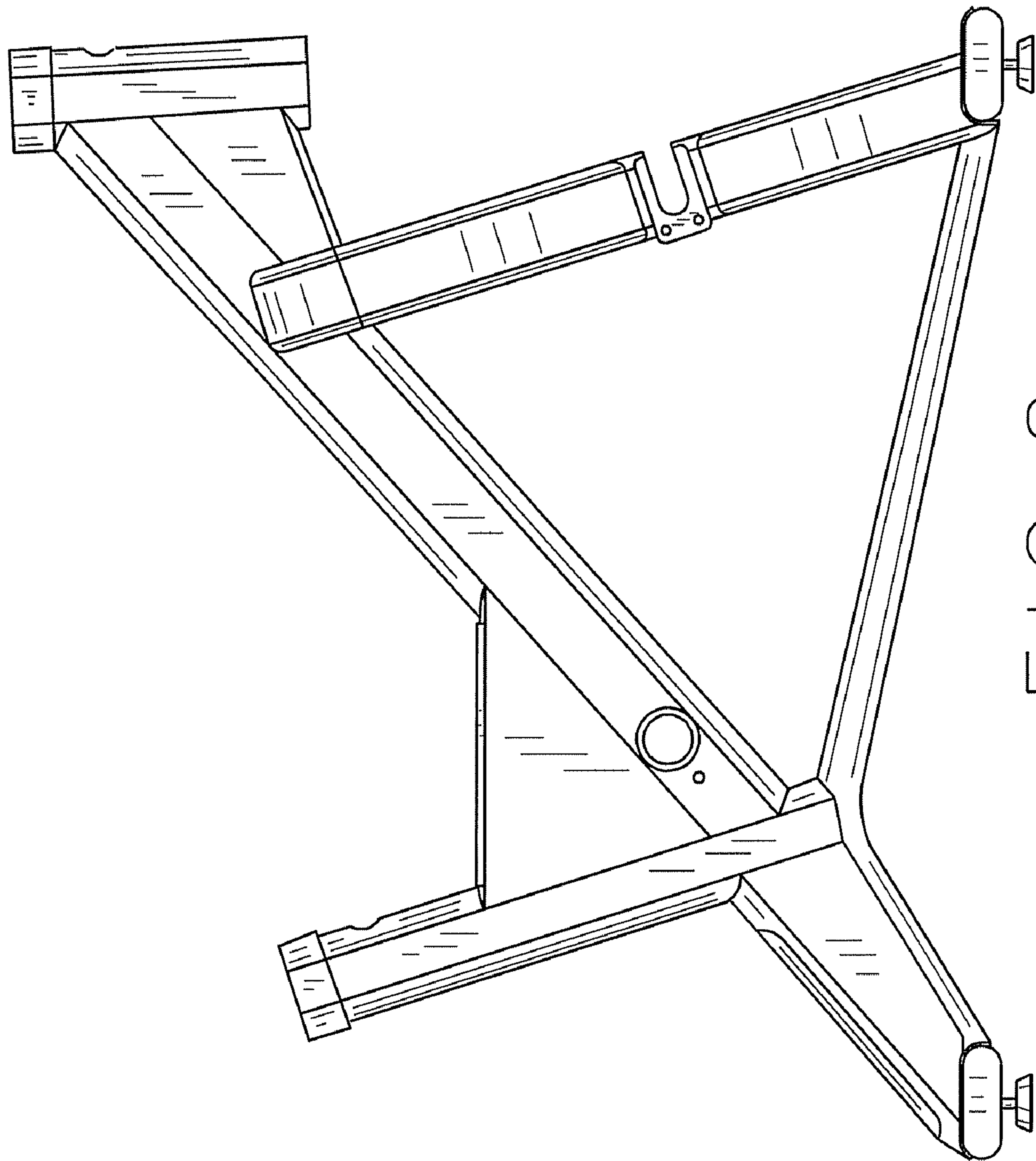


FIG. 2

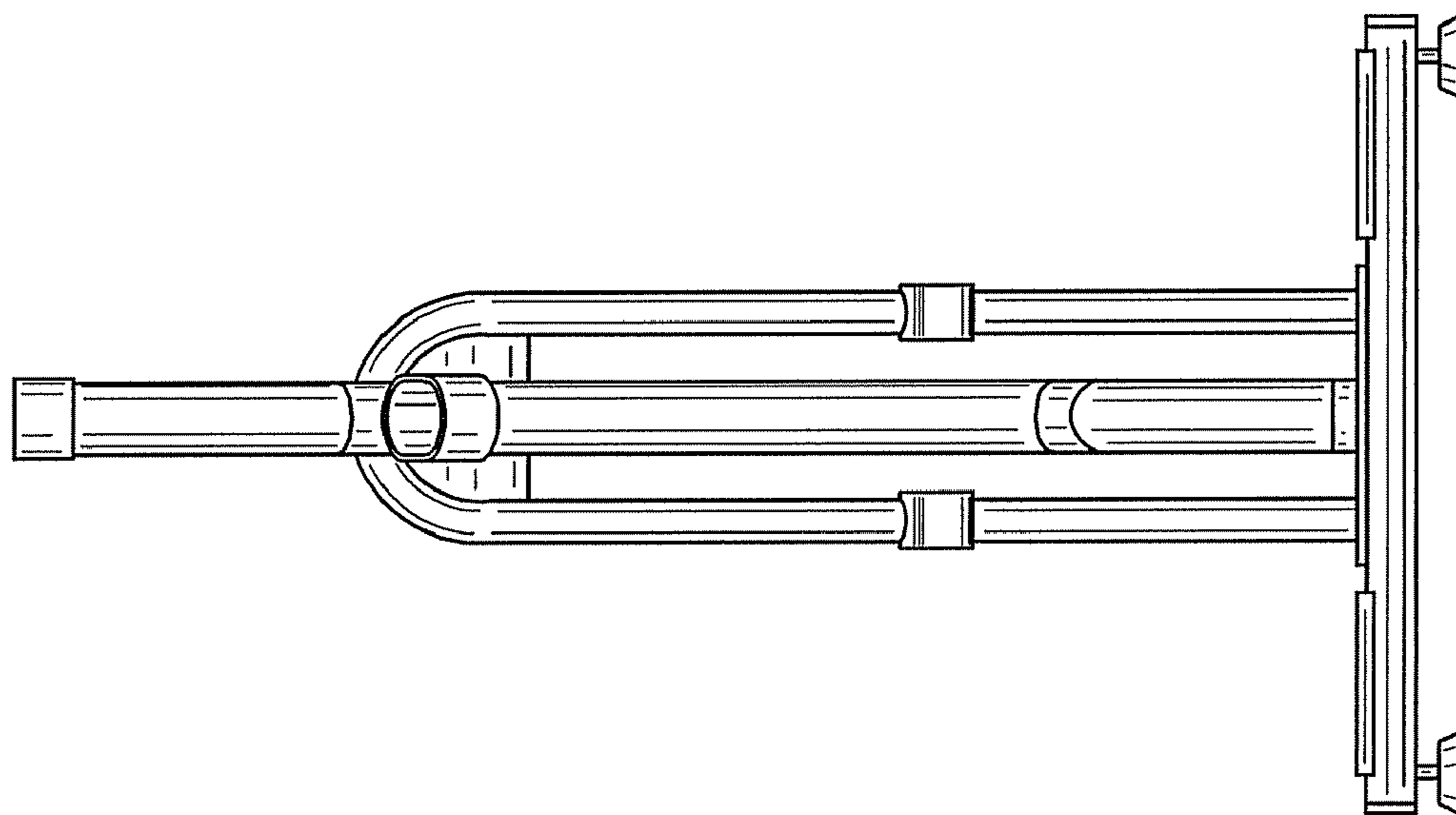


FIG. 5

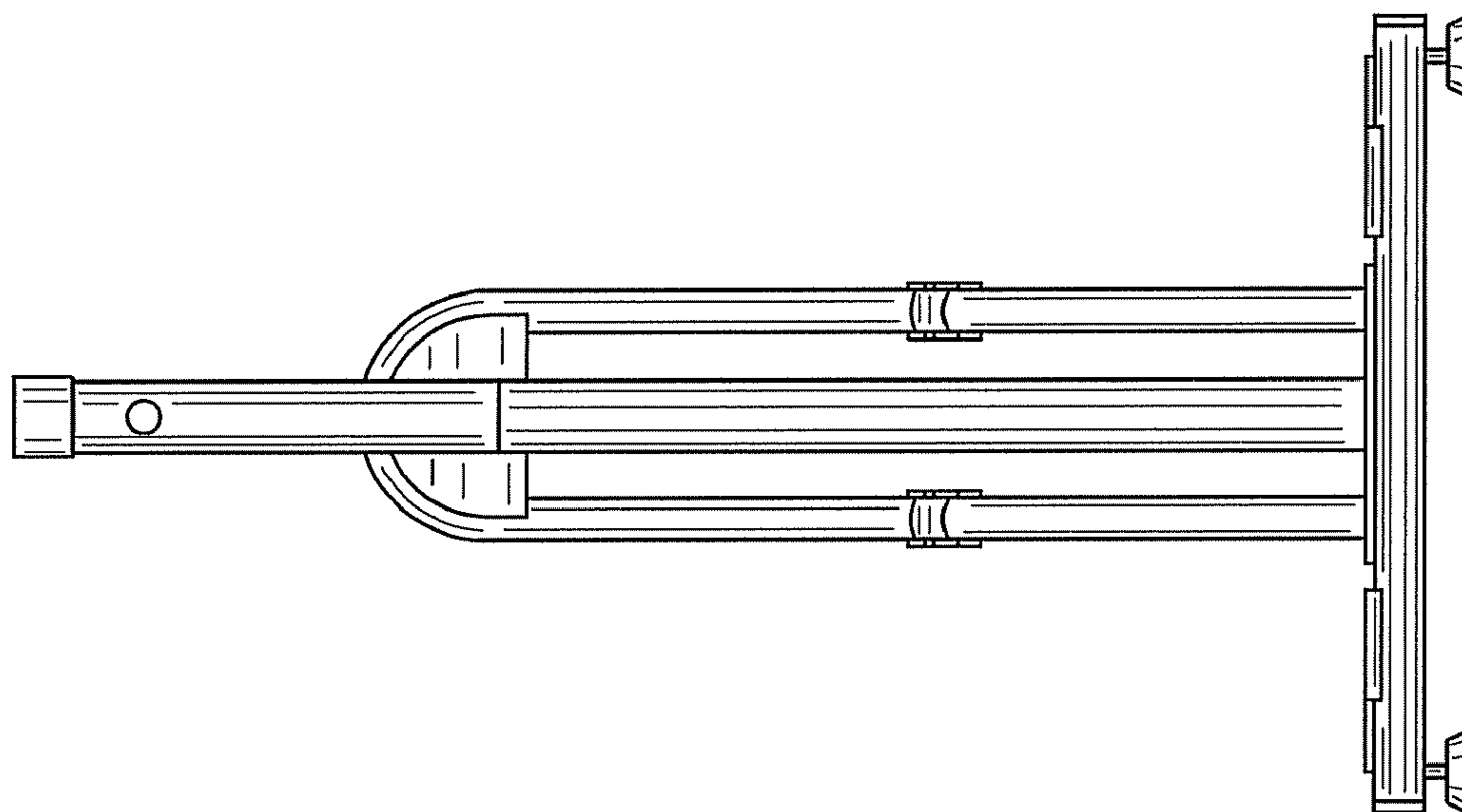


FIG. 3

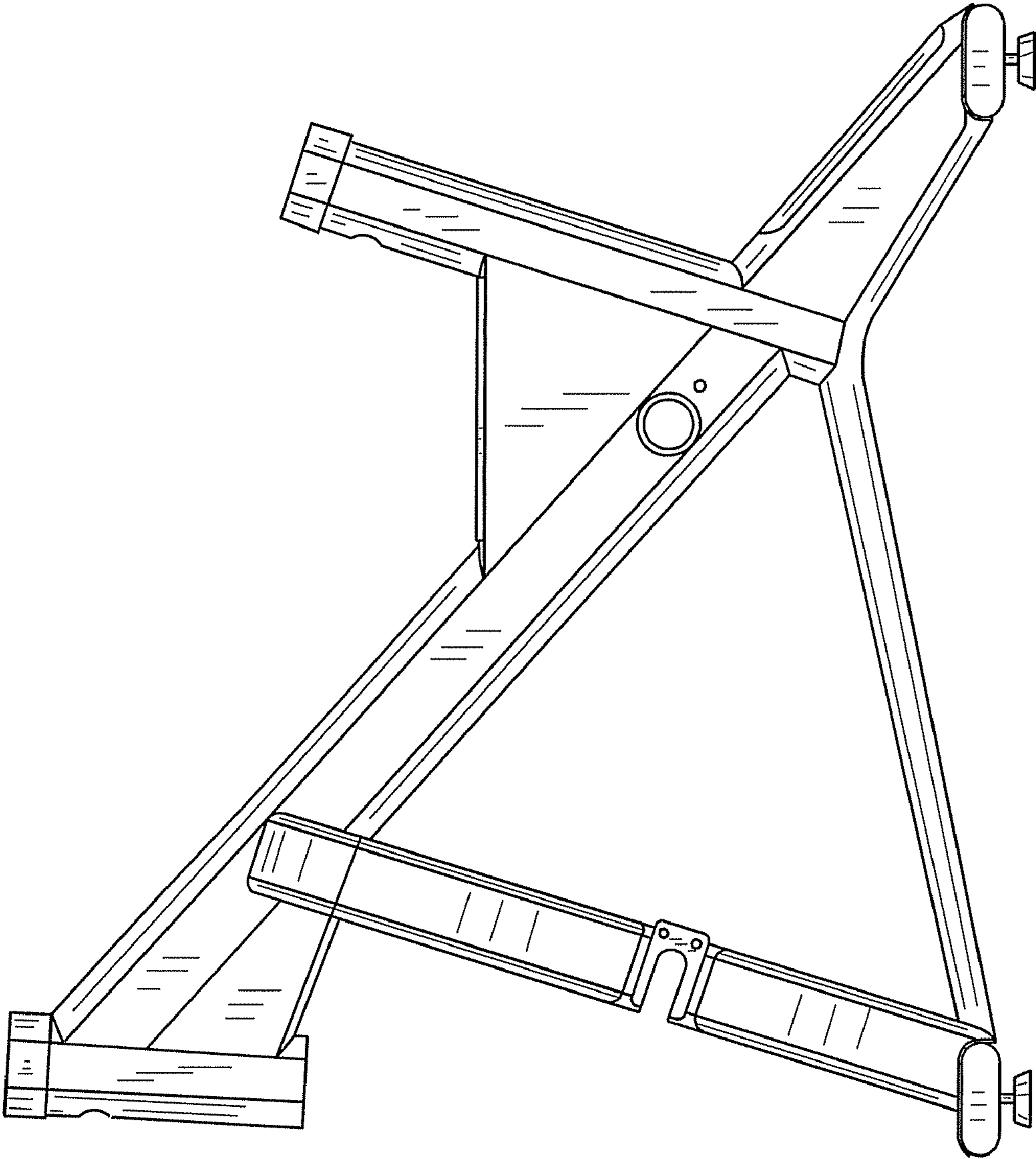


FIG. 4

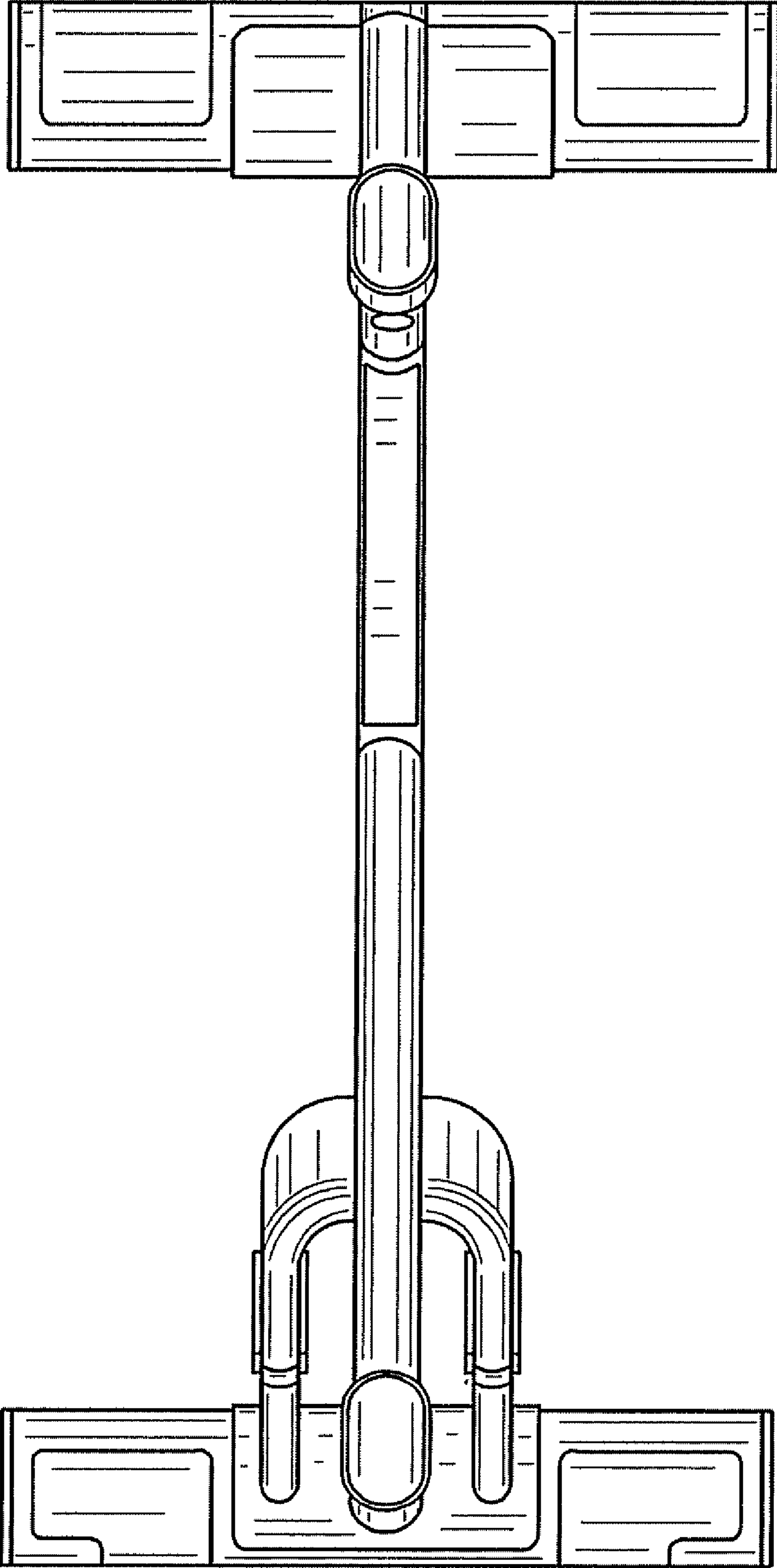


FIG. 6

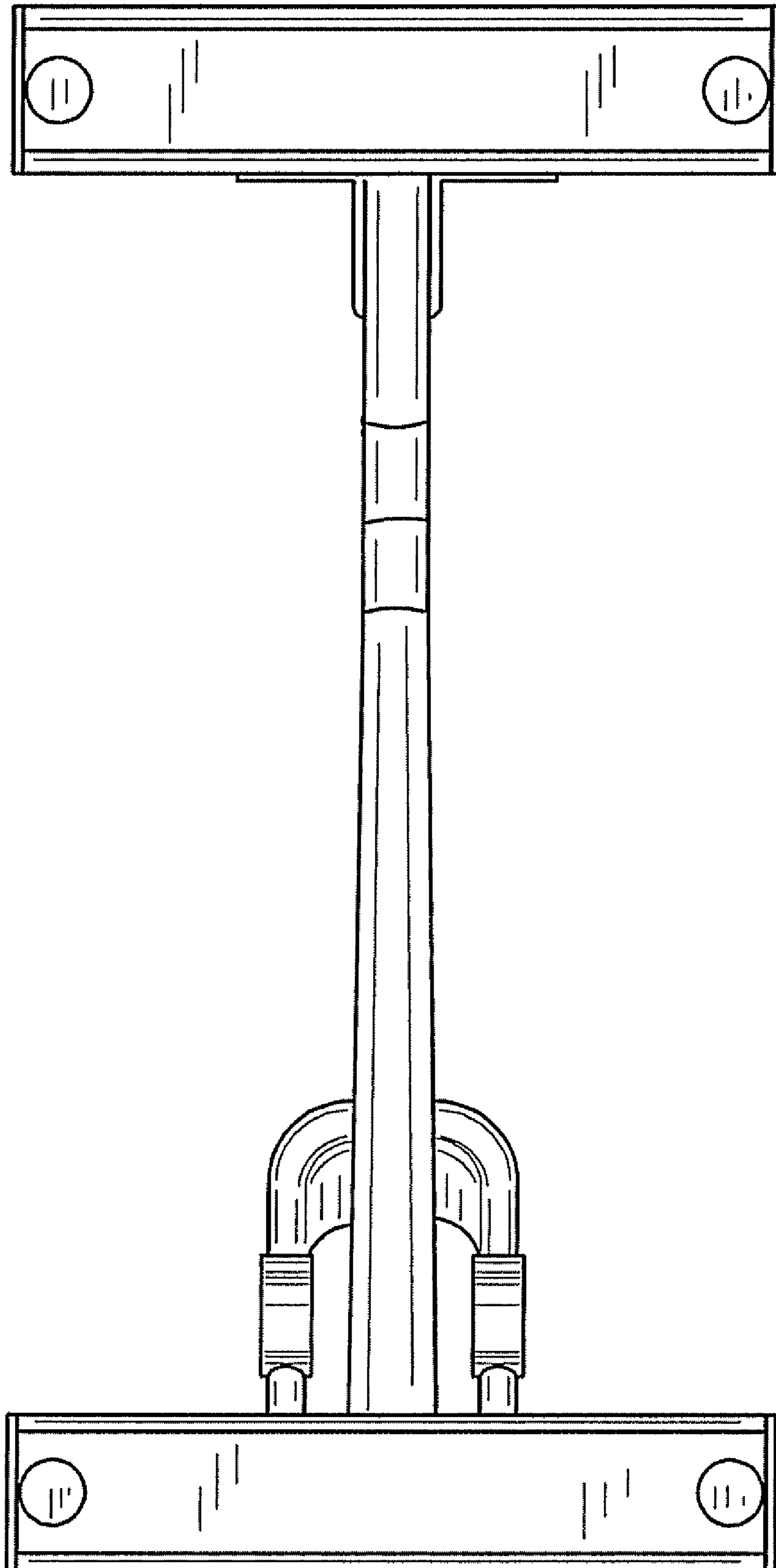


FIG. 7