



US00D649606S

(12) **United States Design Patent**
Markowitz et al.

(10) **Patent No.:** **US D649,606 S**

(45) **Date of Patent:** **** Nov. 29, 2011**

(54) **STEERING COLUMN**

(75) Inventors: **Lipa Markowitz**, Brooklyn, NY (US);
Tang Chun Kit, Hong Kong (CN)

(73) Assignee: **CTA Digital, Inc**, Brooklyn, NY (US)

(**) Term: **14 Years**

(21) Appl. No.: **29/390,840**

(22) Filed: **Apr. 29, 2011**

(51) **LOC (9) Cl.** **21-01**

(52) **U.S. Cl.** **D21/561; D12/177**

(58) **Field of Classification Search** D21/324,
D21/328, 333, 385, 424; D12/174, 176,
D12/177, 192; D14/401, 408, 414; D8/330,
D8/331, 333; 453/37, 38, 46, 47; 434/43,
434/45

See application file for complete search history.

(56) **References Cited**

U.S. PATENT DOCUMENTS

D349,034 S *	7/1994	Webster	D8/333
D378,584 S *	3/1997	Sturges et al.	D12/192
D379,610 S *	6/1997	Hellhake et al.	D12/174
D380,503 S *	7/1997	Tyler	D21/385
D389,724 S *	1/1998	Webster	D8/333
D434,086 S *	11/2000	Ford	D21/328
D451,557 S *	12/2001	Yu	D21/328

D476,607 S	7/2003	Stern et al.	
D497,365 S *	10/2004	Hussaini et al. D14/414
D553,622 S *	10/2007	Petrota D14/414
D558,651 S *	1/2008	Ikeda et al. D14/401
D566,781 S *	4/2008	Ikeda et al. D21/333
D579,402 S *	10/2008	Ball et al. D12/223
D592,115 S *	5/2009	Domin D12/177

OTHER PUBLICATIONS

Wii Steering Wheel published on www.topfreebiz.com.

* cited by examiner

Primary Examiner — Cynthia M Chin

(74) *Attorney, Agent, or Firm* — Levisohn Berger, LLP

(57) **CLAIM**

The ornamental design for a steering column, as shown and described.

DESCRIPTION

FIG. 1 is a front perspective view of the steering column showing the present design.

FIG. 2 is a front view thereof.

FIG. 3 is a right side thereof.

FIG. 4 is a rear view thereof.

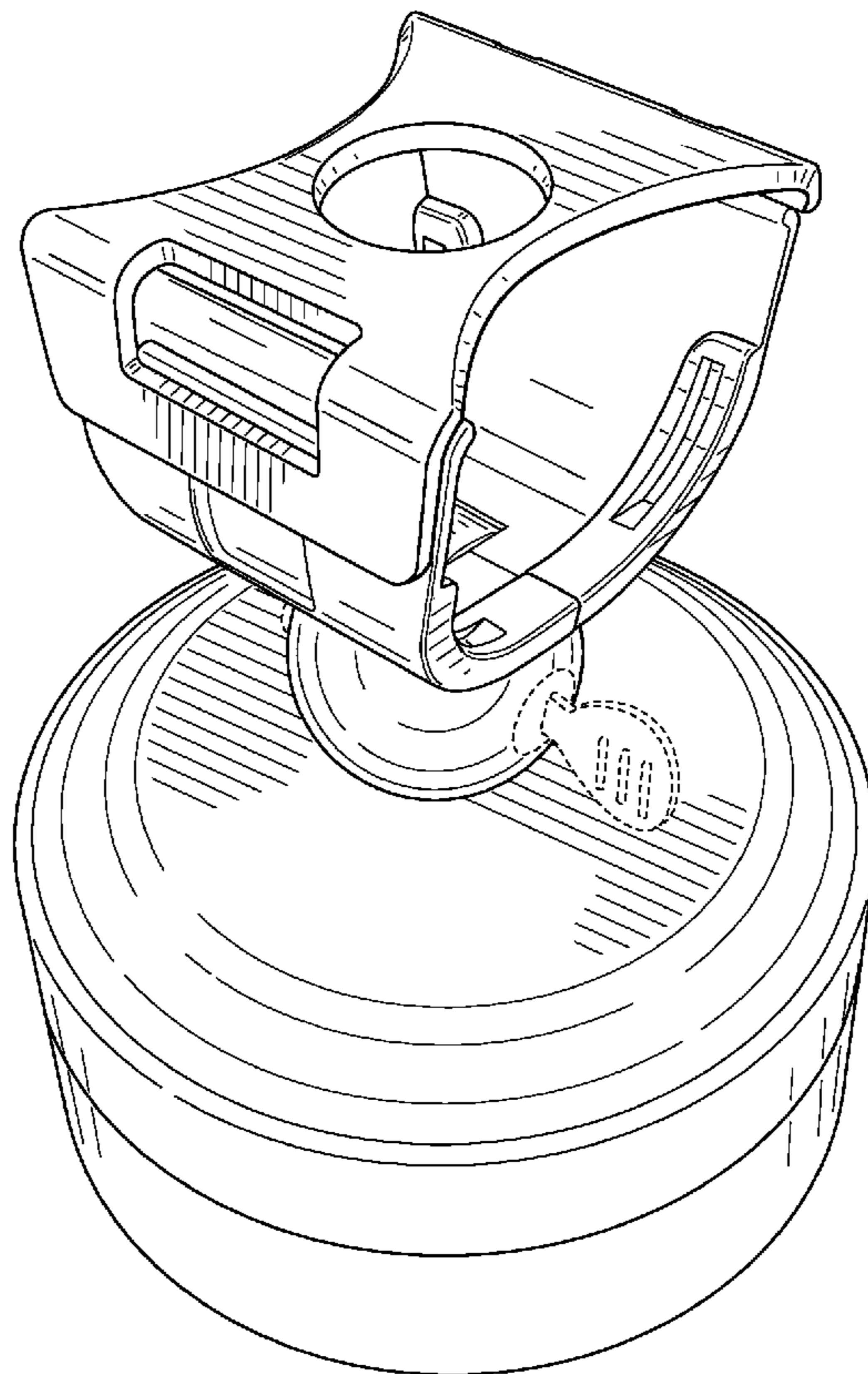
FIG. 5 is a left side view thereof

FIG. 6 is a top plan view thereof; and,

FIG. 7 is a bottom plan view thereof.

The broken lines shown are included for the purpose of illustrating the unclaimed portions of the article that form no part of the claimed design.

1 Claim, 6 Drawing Sheets



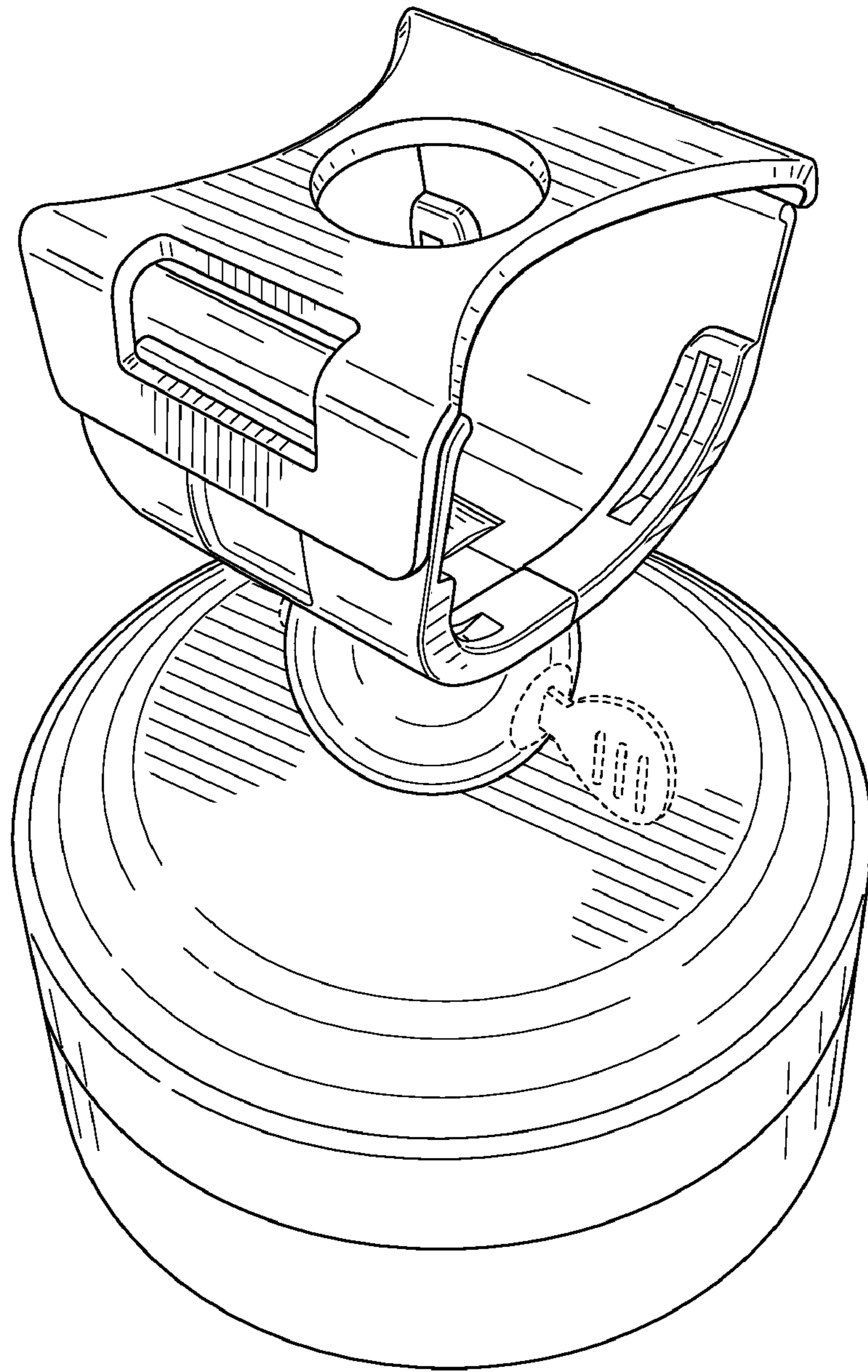


FIG. 1

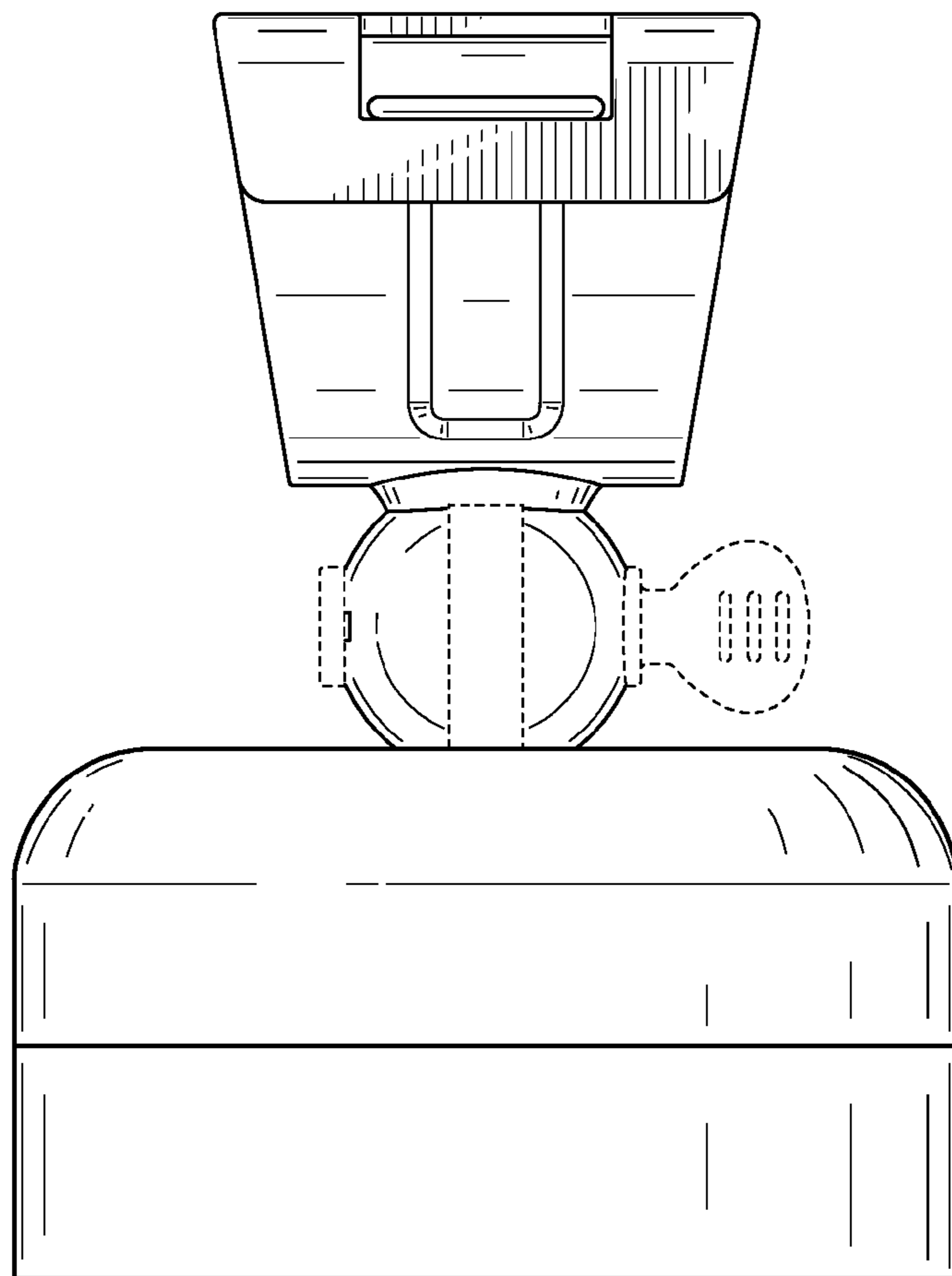


FIG. 2

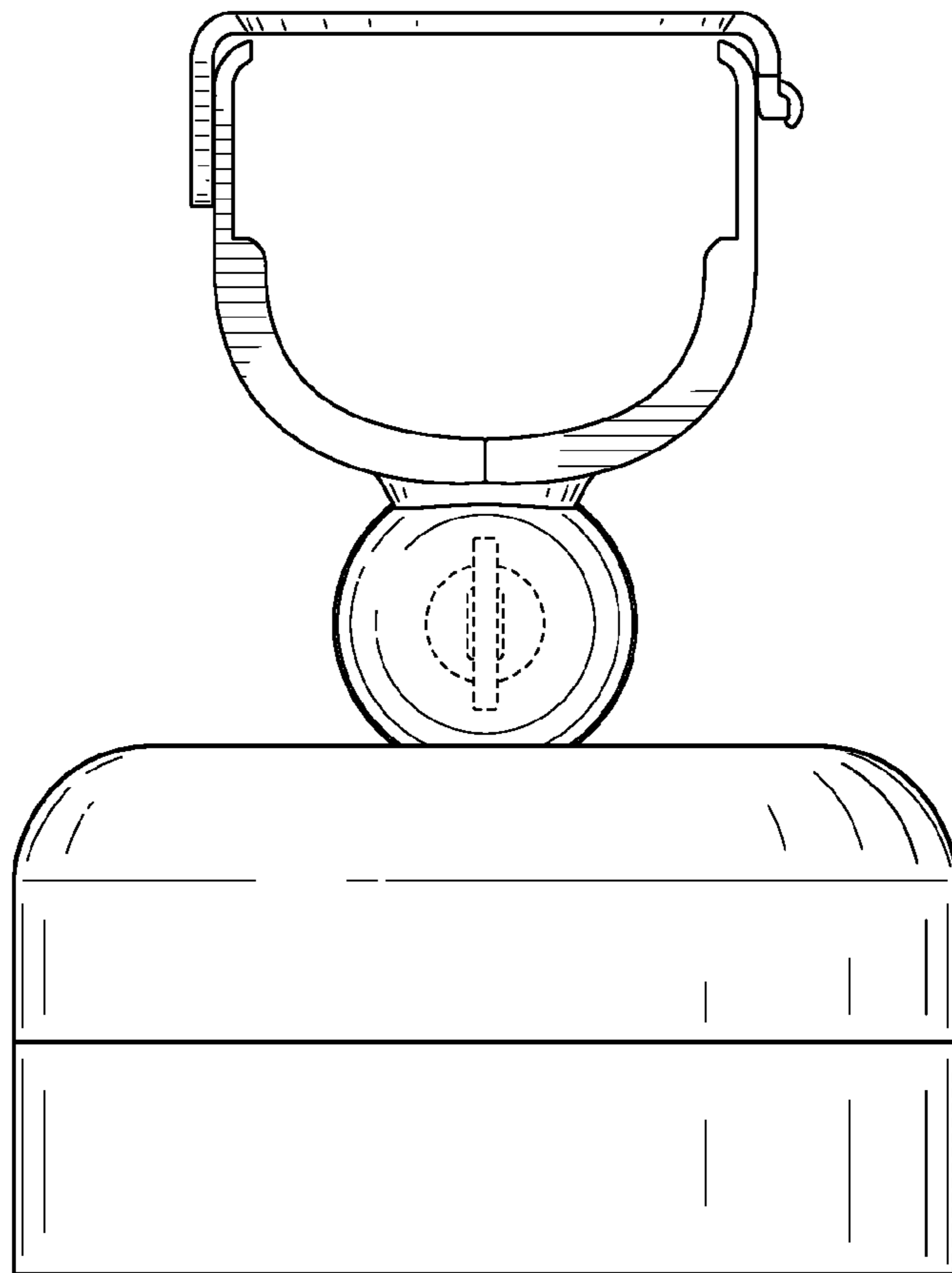


FIG. 3

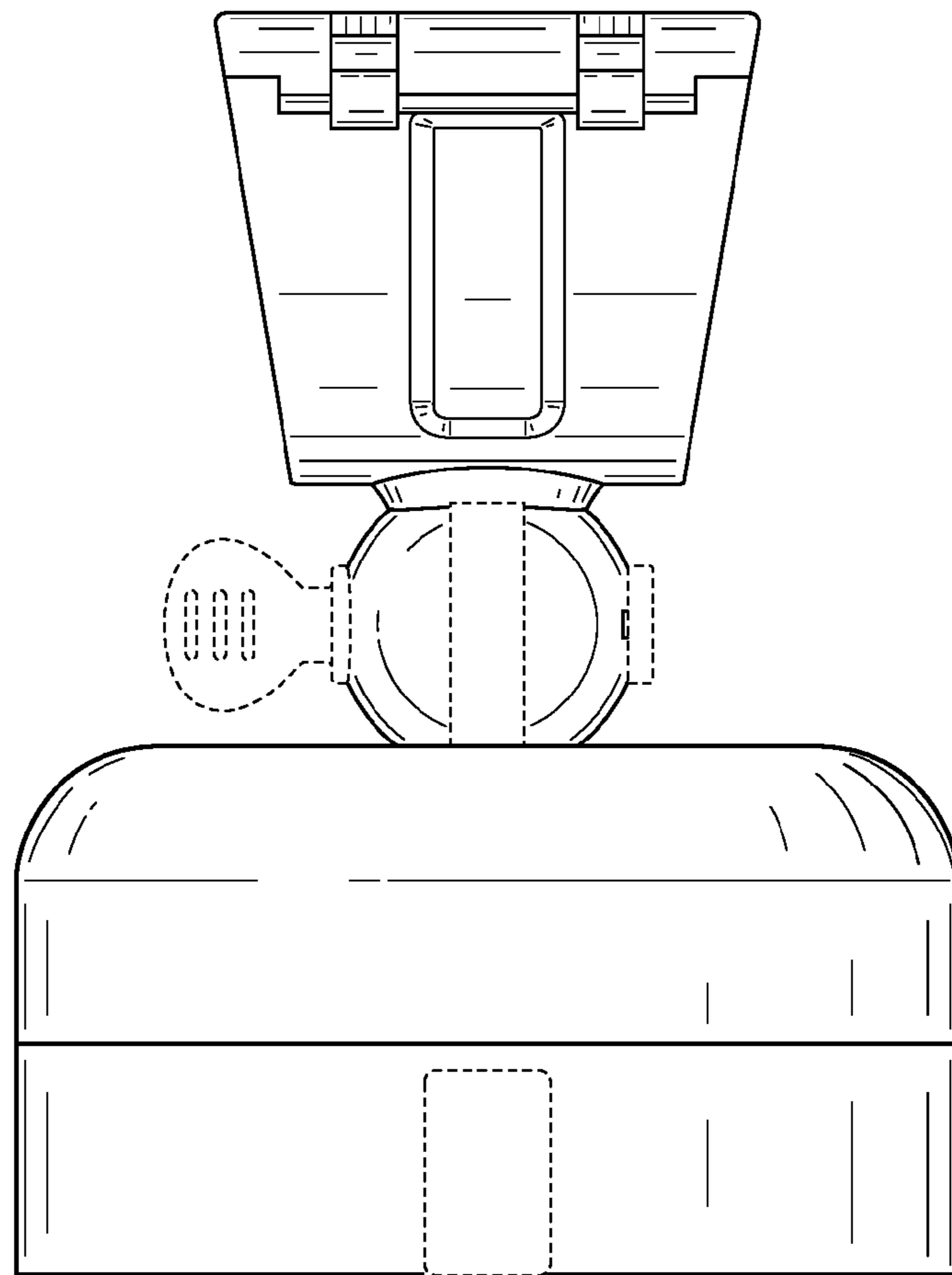


FIG. 4

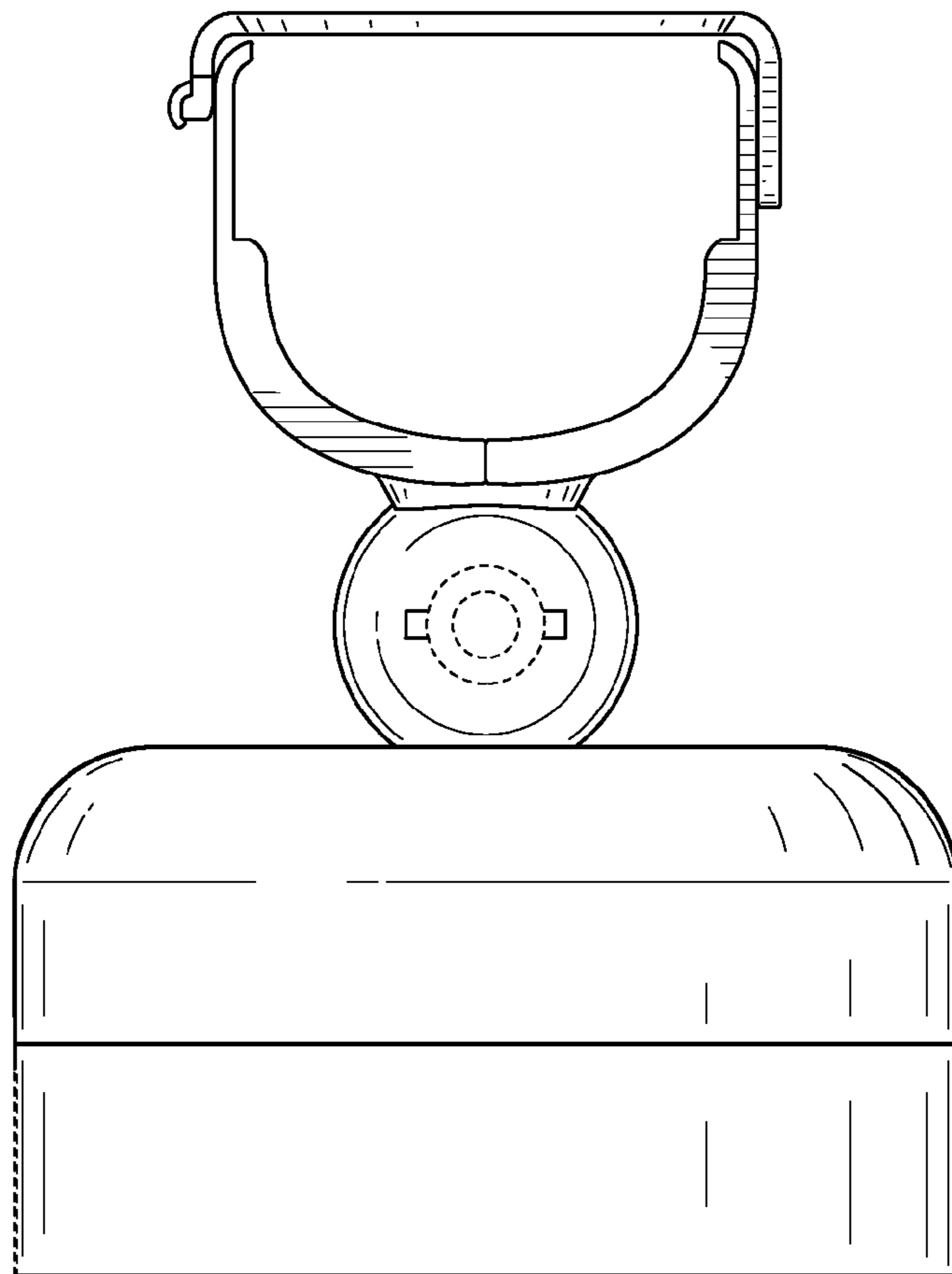


FIG. 5

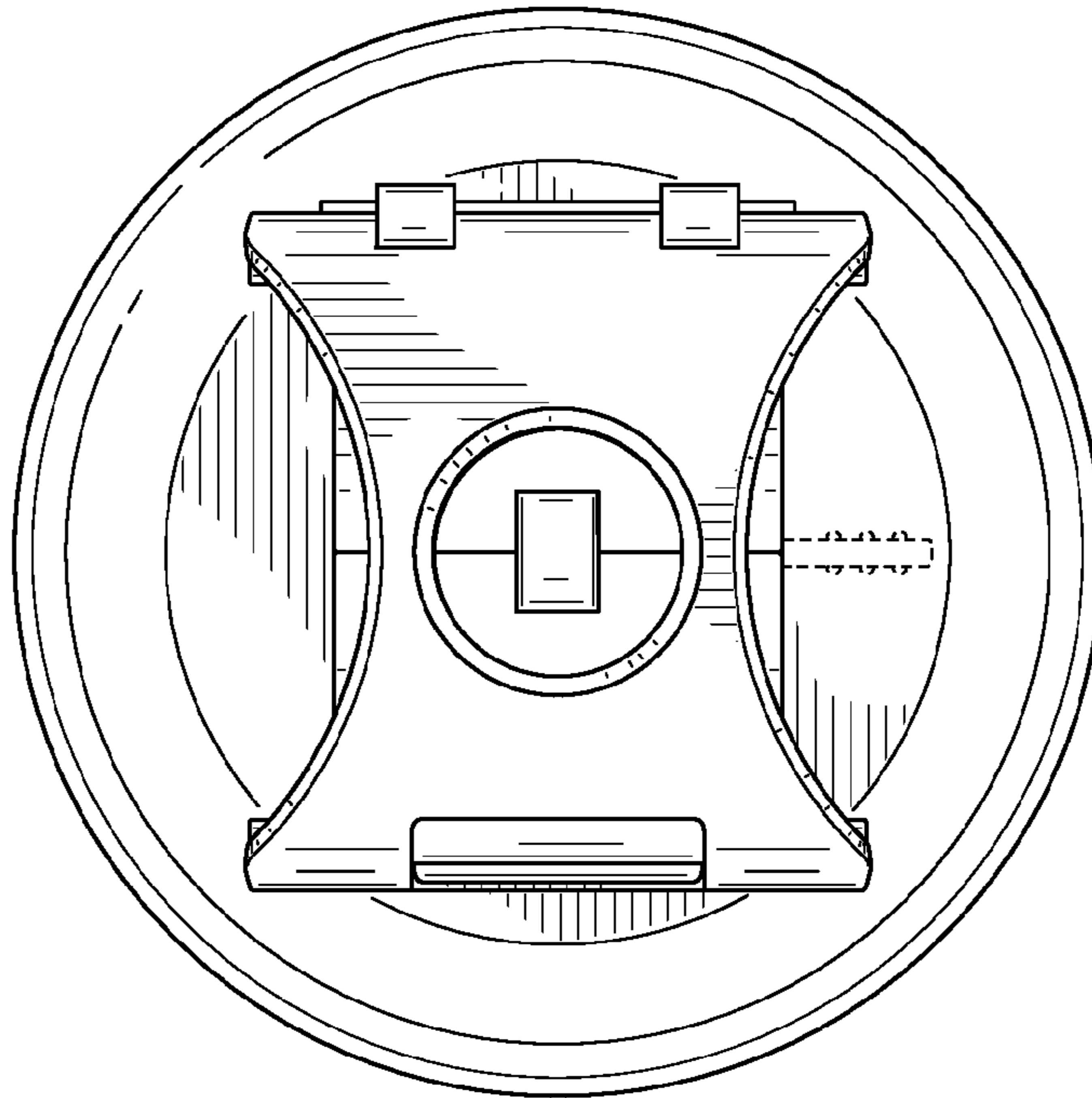


FIG. 6

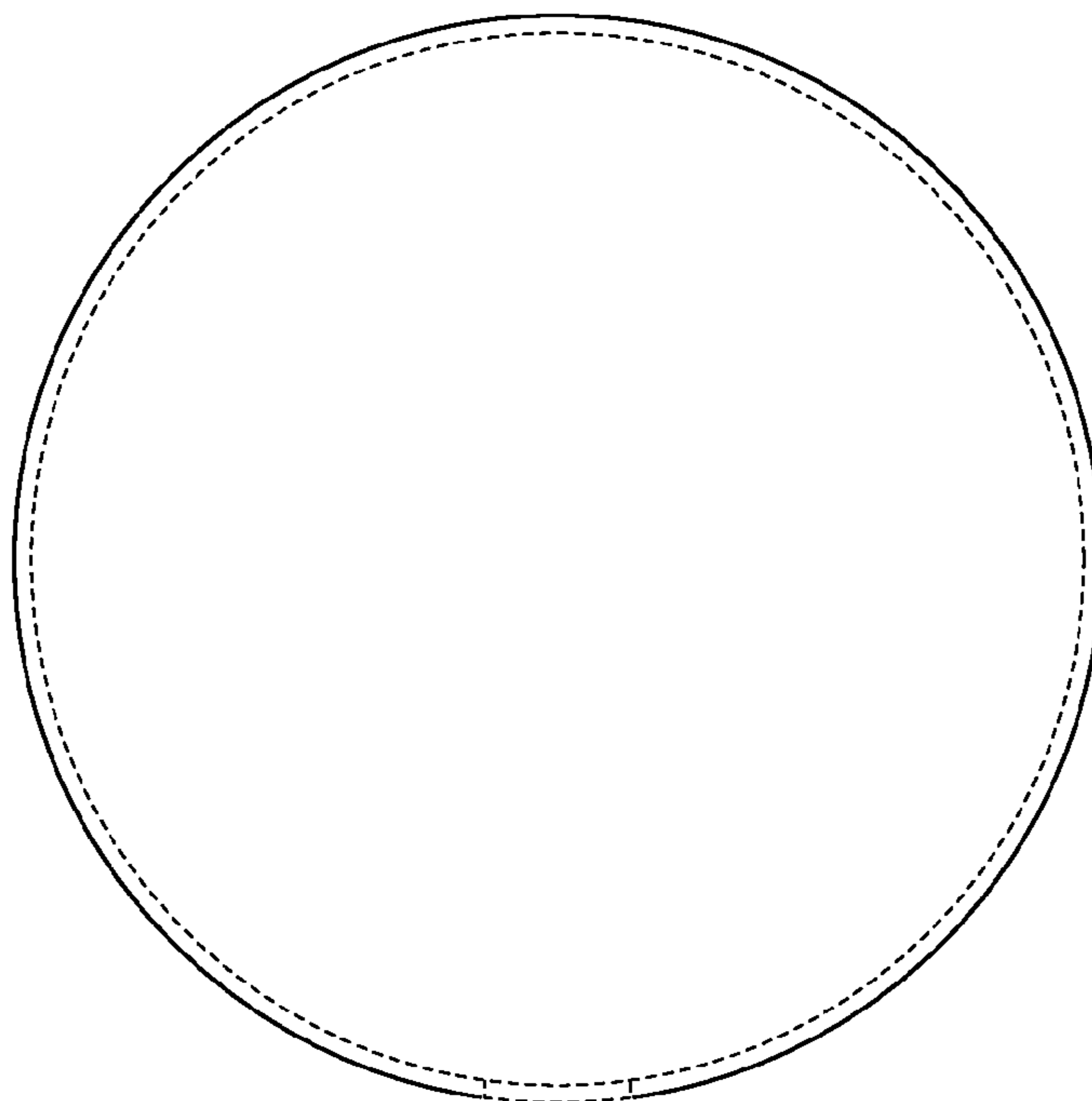


FIG. 7