



US00D649605S

(12) **United States Design Patent**
Terpstra et al.

(10) **Patent No.:** **US D649,605 S**
(45) **Date of Patent:** **** Nov. 29, 2011**

(54) **TRIM FOR GAMING MACHINE**
(75) Inventors: **Lee M. Terpstra**, Fort Lauderdale, FL (US); **Ryan D. McComb**, Grand Rapids, MI (US); **Brian R. Soules**, Newaygo, MI (US)

(73) Assignee: **SPEC International, Inc.**, Grand Rapids, MI (US)

(**) Term: **14 Years**

(21) Appl. No.: **29/382,124**

(22) Filed: **Dec. 29, 2010**

Related U.S. Application Data

(62) Division of application No. 29/351,914, filed on Dec. 14, 2009, now Pat. No. Des. 633,950.

(51) **LOC (9) Cl.** **21-03**

(52) **U.S. Cl.** **D21/370; D21/385**

(58) **Field of Classification Search** D21/324-331, D21/369-371, 385; 273/274, 292; 463/16-17, 463/20, 31, 46-47
See application file for complete search history.

(56) **References Cited**

U.S. PATENT DOCUMENTS

D495,754 S *	9/2004	Wurz et al.	D21/370
D495,755 S *	9/2004	Wurz et al.	D21/370
D508,268 S *	8/2005	Hanchar et al.	D21/369
7,339,782 B1	3/2008	Landes et al.	
D566,197 S *	4/2008	Greenberg et al.	D21/370

7,513,830 B2	4/2009	Hajder et al.	
D619,660 S	7/2010	Cole et al.	
2004/0053699 A1	3/2004	Rasmussen et al.	
2009/0275389 A1 *	11/2009	Englman et al.	463/20
2010/0016084 A1	1/2010	Bleich et al.	

OTHER PUBLICATIONS

Spec International, Inc. GEN-311 gaming machine cabinet, publicly disclosed at least as early as Dec. 13, 2008.

Bluebird Slant Widescreen® literature from www.wms.com/technologyandinnovation_cabinets_widescreen.php dated May 19, 2009, showing a gaming machine cabinet that was sold and/or publicly disclose at least as early as Dec. 13, 2008 (5 pages).

* cited by examiner

Primary Examiner — Sandra Morris

(74) *Attorney, Agent, or Firm* — Price Heneveld LLP

(57) **CLAIM**

The ornamental design for a trim for gaming machine, as shown and described.

DESCRIPTION

FIG. 1 is an isometric view of the trim for gaming machine, showing our new design;

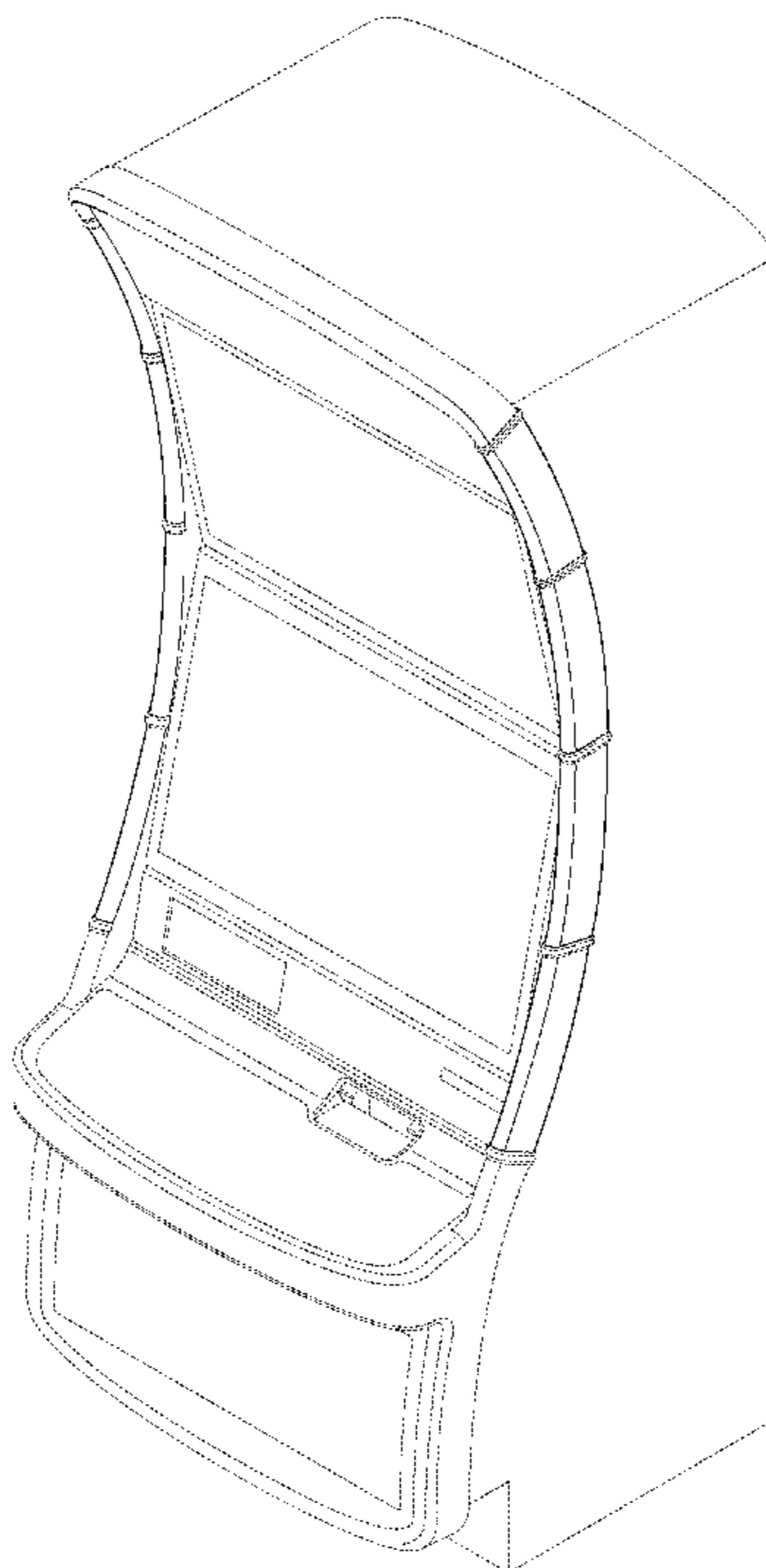
FIG. 2 is a front elevational view;

FIG. 3 is a right elevational view; and,

FIG. 4 is a left elevational view.

The dashed lines in the figures show the environment of the present design and are not part of the present design. The portions of the article that are not shown in the drawings form no part of the claimed design.

1 Claim, 4 Drawing Sheets



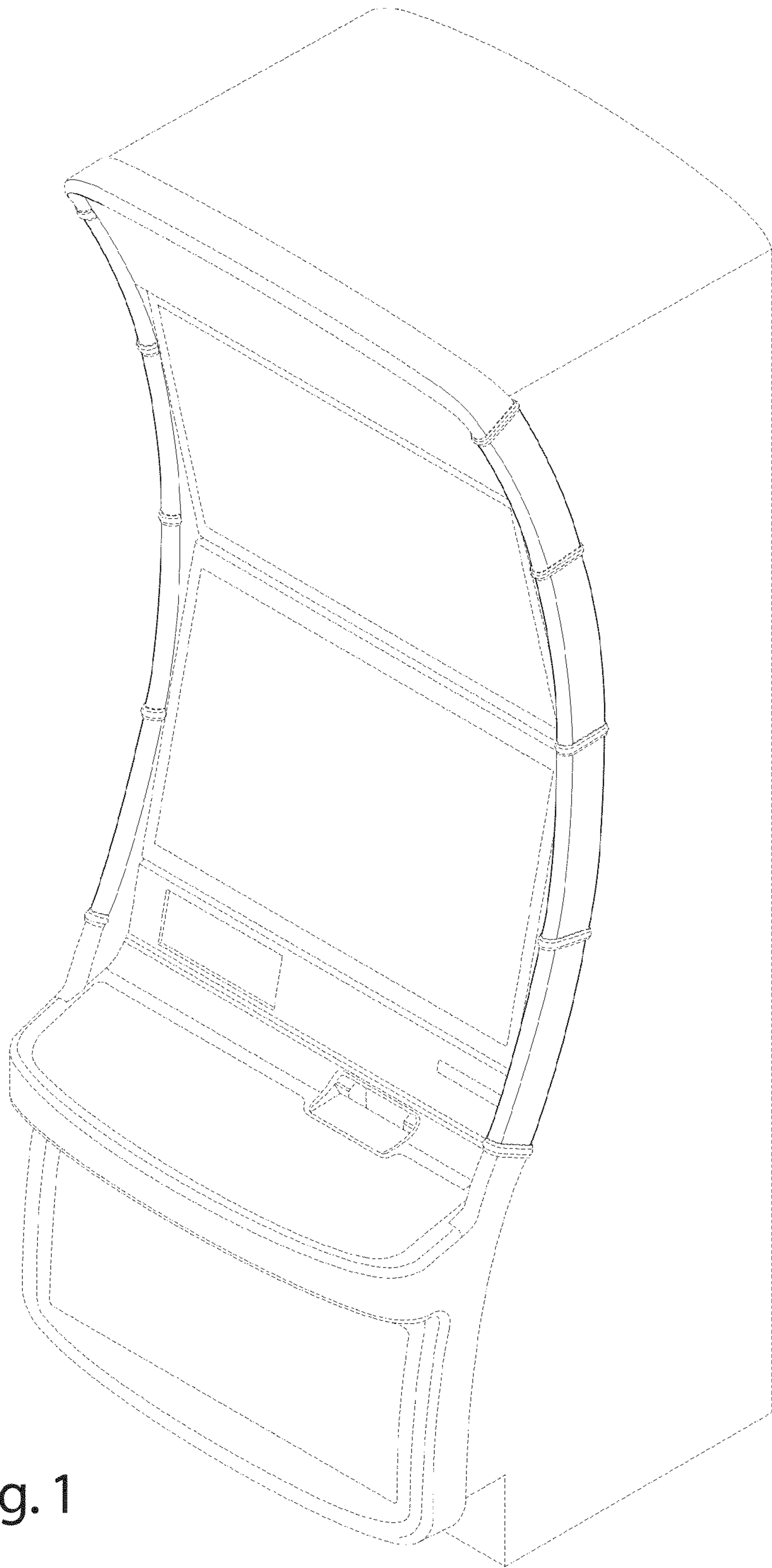


Fig. 1

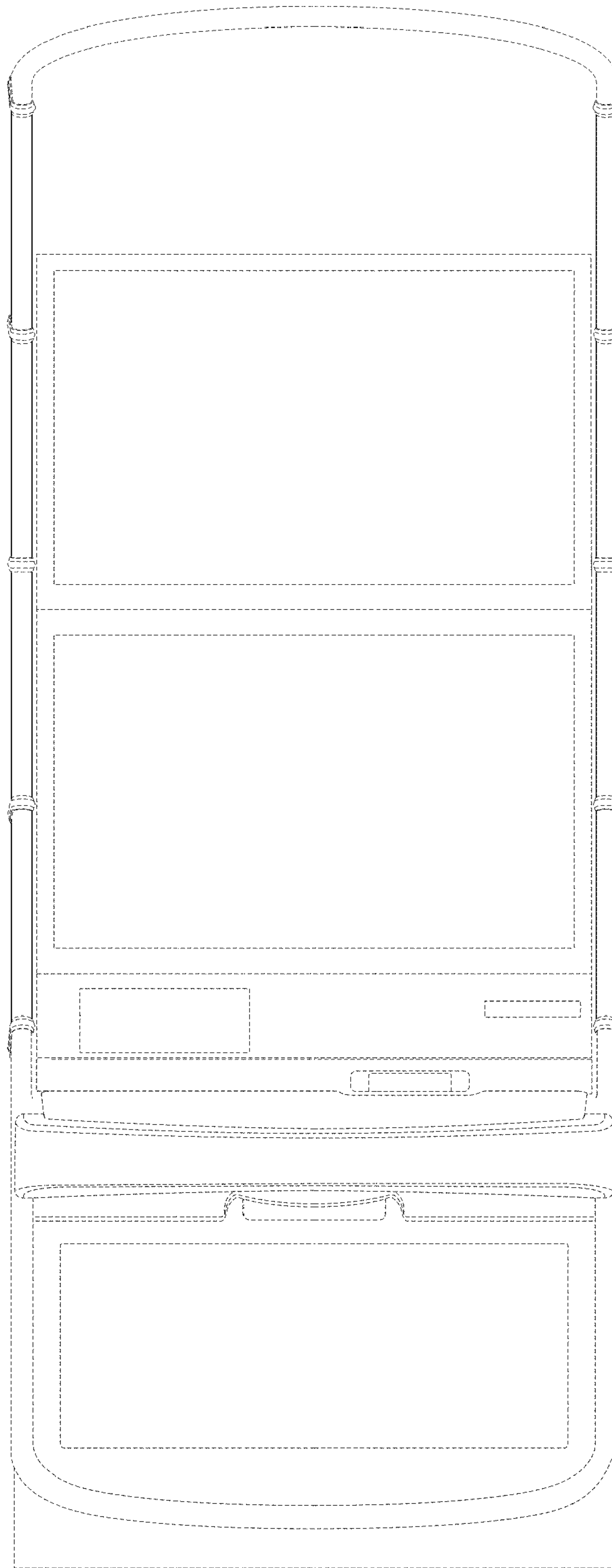


Fig. 2

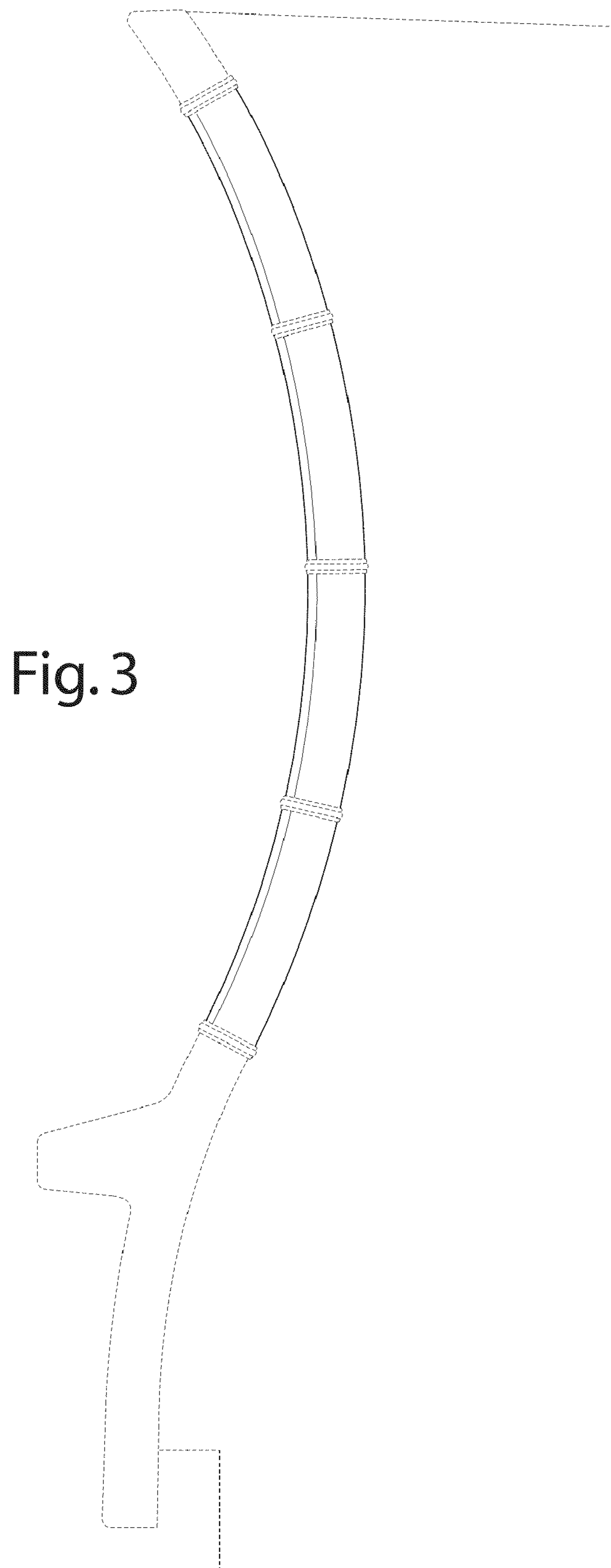


Fig. 3

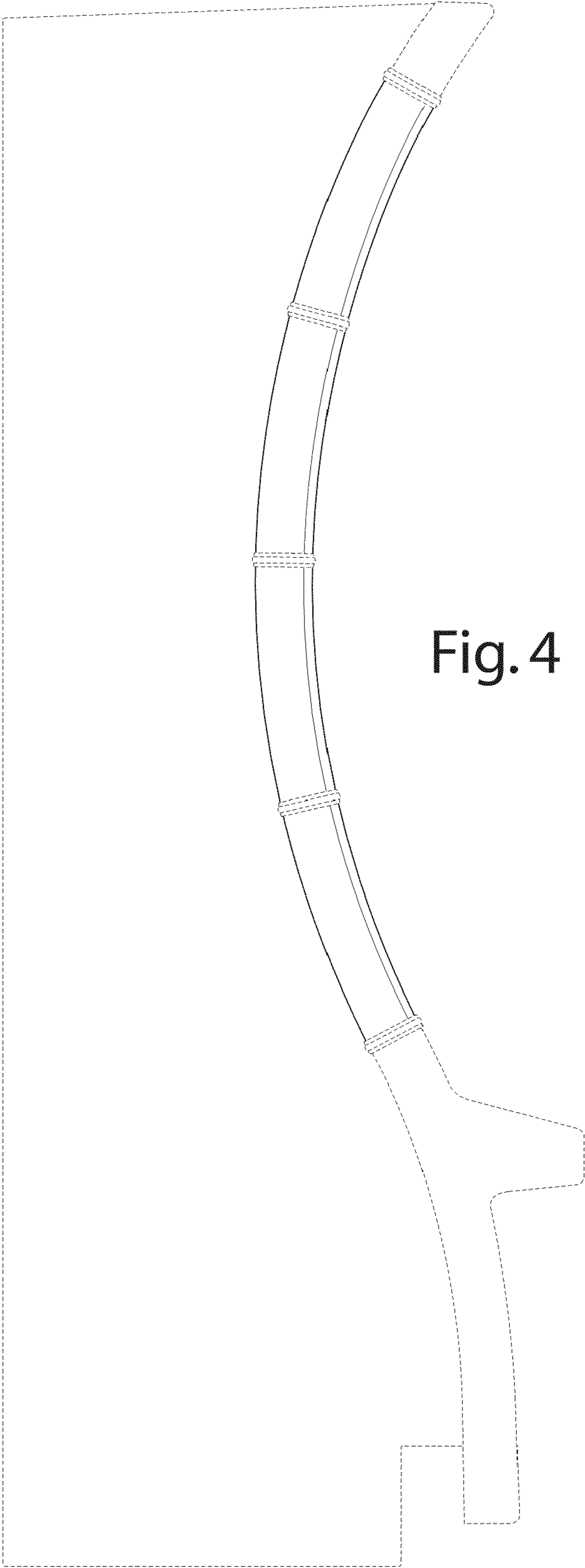


Fig. 4