



US00D649602S

(12) **United States Design Patent**
Ruiz et al.

(10) **Patent No.:** **US D649,602 S**

(45) **Date of Patent:** **** Nov. 29, 2011**

(54) **INTERACTIVE GAME TOWER**

(75) Inventors: **Luis Ruiz**, Torrance, CA (US); **Erich Weidetz**, Santa Monica, CA (US)

(73) Assignee: **Mattel, Inc.**, El Segundo, CA (US)

(**) Term: **14 Years**

(21) Appl. No.: **29/397,476**

(22) Filed: **Jul. 15, 2011**

Related U.S. Application Data

(62) Division of application No. 29/367,876, filed on Aug. 13, 2010.

(51) **LOC (9) Cl.** **21-01**

(52) **U.S. Cl.** **D21/326; D21/333**

(58) **Field of Classification Search** D21/330,
D21/324, 328, 333, 385; D14/496; D10/46,
D10/46.1; 273/148 B; 463/1, 29-35, 46,
463/47; 345/156, 173

See application file for complete search history.

(56) **References Cited**

U.S. PATENT DOCUMENTS

3,589,724 A * 6/1971 Barlow et al. 273/440
4,009,879 A * 3/1977 Wolf 273/460

D300,435 S * 3/1989 Harris et al. D20/19
5,611,544 A * 3/1997 Grebler et al. 273/447
5,836,837 A * 11/1998 Craig 473/472
5,894,261 A * 4/1999 Green 340/323 R
D418,431 S * 1/2000 Niksich D10/46.1
6,758,513 B2 * 7/2004 Choo 296/146.8
D609,754 S * 2/2010 Labeledz et al. D21/325
D612,082 S * 3/2010 Chang D26/38
D615,423 S * 5/2010 Alkire et al. D10/46.1
D632,595 S * 2/2011 McCormick et al. D10/46.1
7,909,697 B2 * 3/2011 Zheng 463/35

* cited by examiner

Primary Examiner — Prabhakar Deshmukh

(74) *Attorney, Agent, or Firm* — Kolisch Hartwell, PC

(57) **CLAIM**

The ornamental design for an interactive game tower, as shown and described.

DESCRIPTION

FIG. 1 is a perspective view of an interactive game tower showing our new design;

FIG. 2 is a right side elevational view thereof, the left side elevational view being a mirror image thereof;

FIG. 3 is a front elevational view thereof;

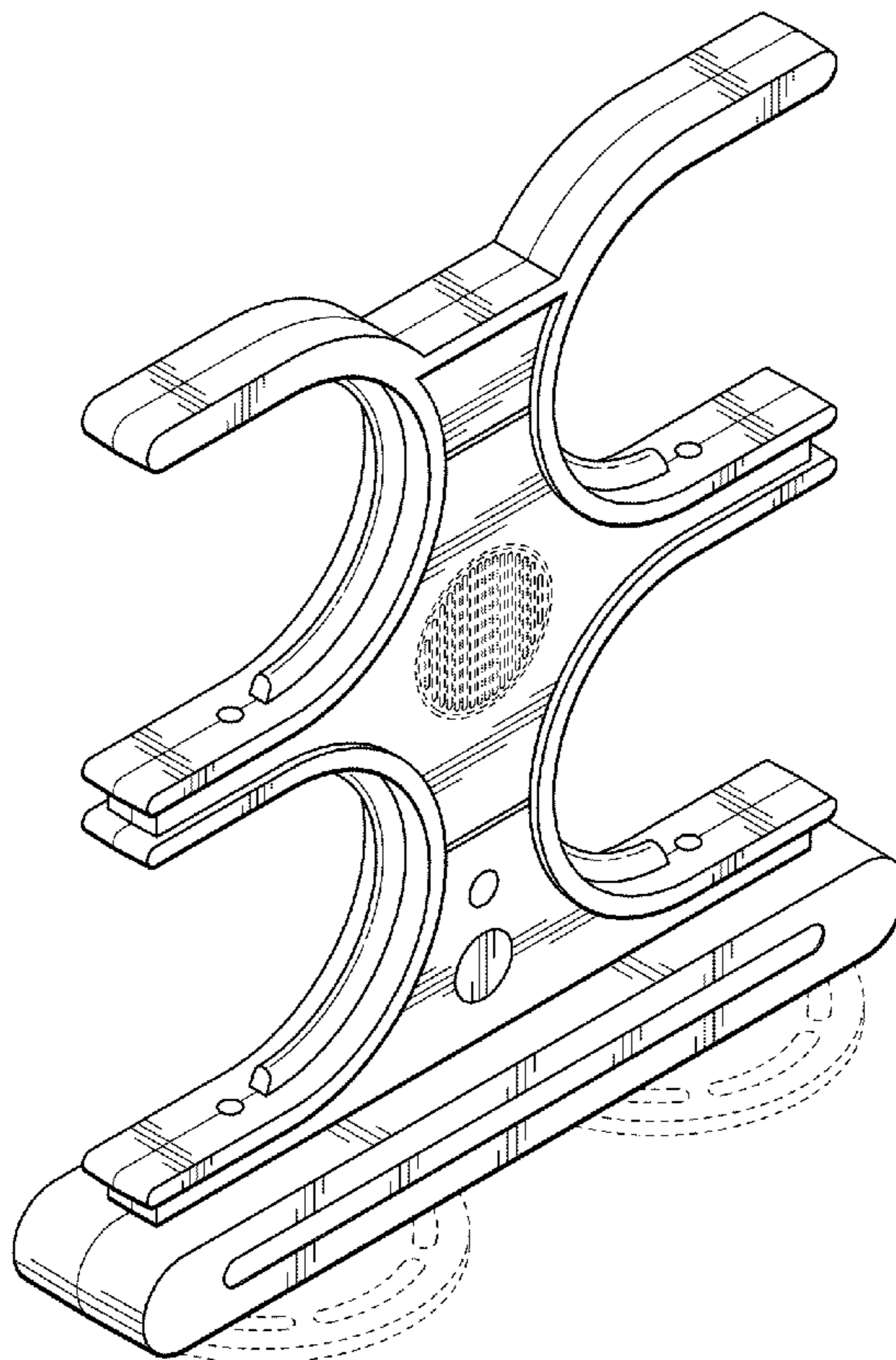
FIG. 4 is a rear elevational view thereof;

FIG. 5 is a top plan view thereof; and,

FIG. 6 is a bottom plan view thereof.

The broken lines are for illustrative purpose only and form no part of the claimed design.

1 Claim, 2 Drawing Sheets



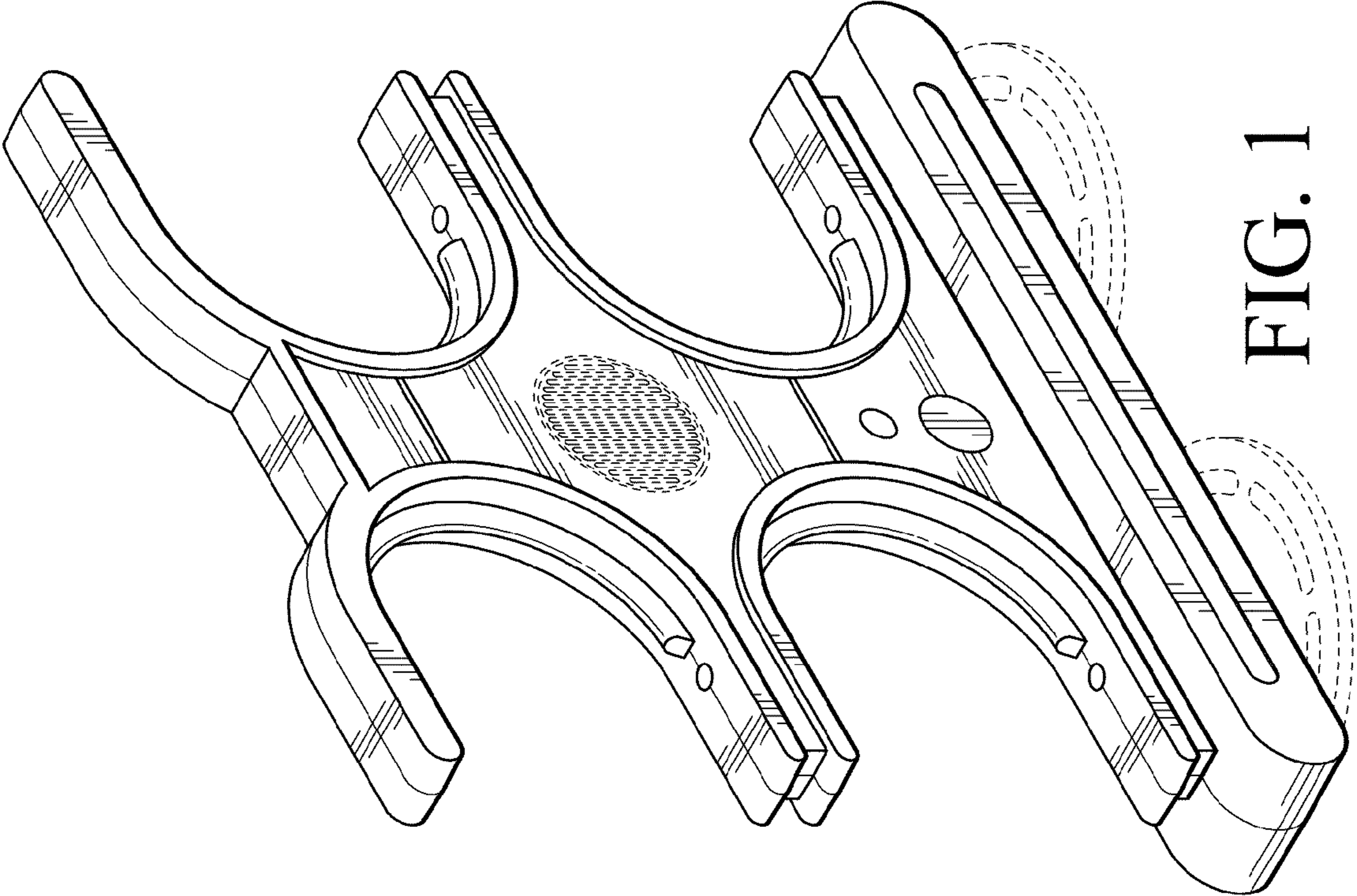


FIG. 1

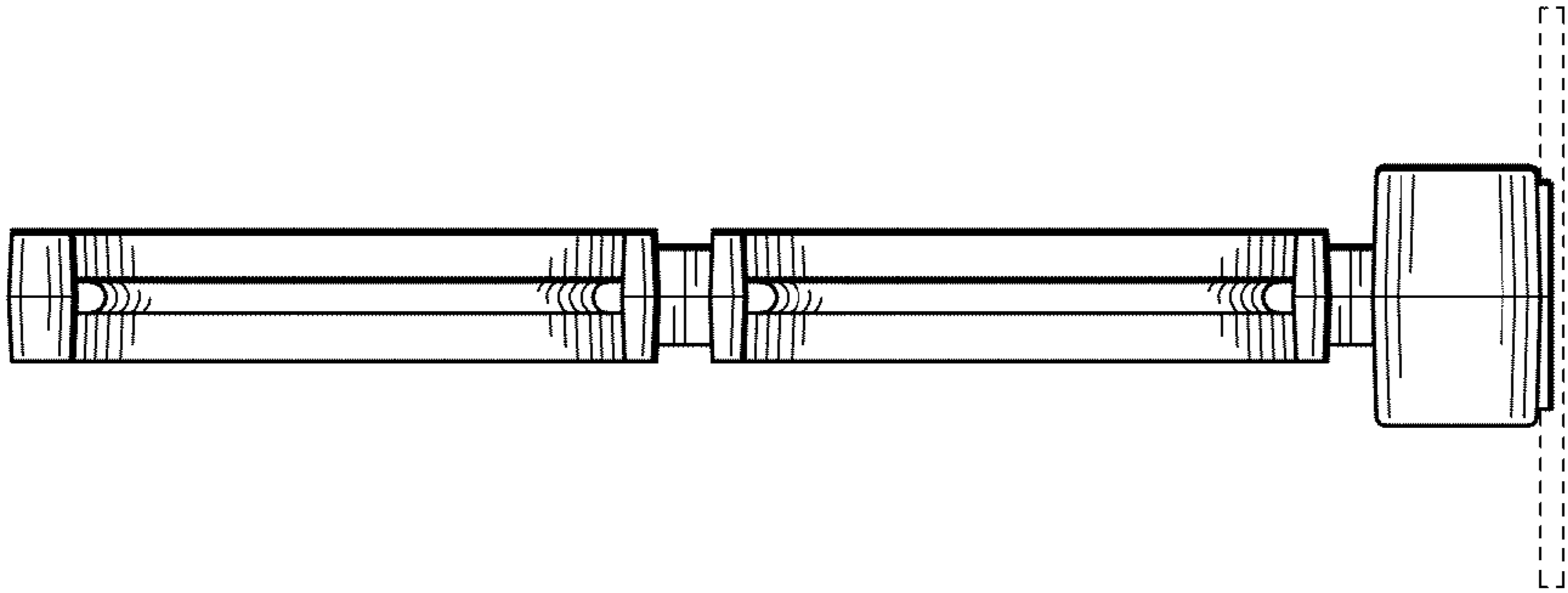


FIG. 2

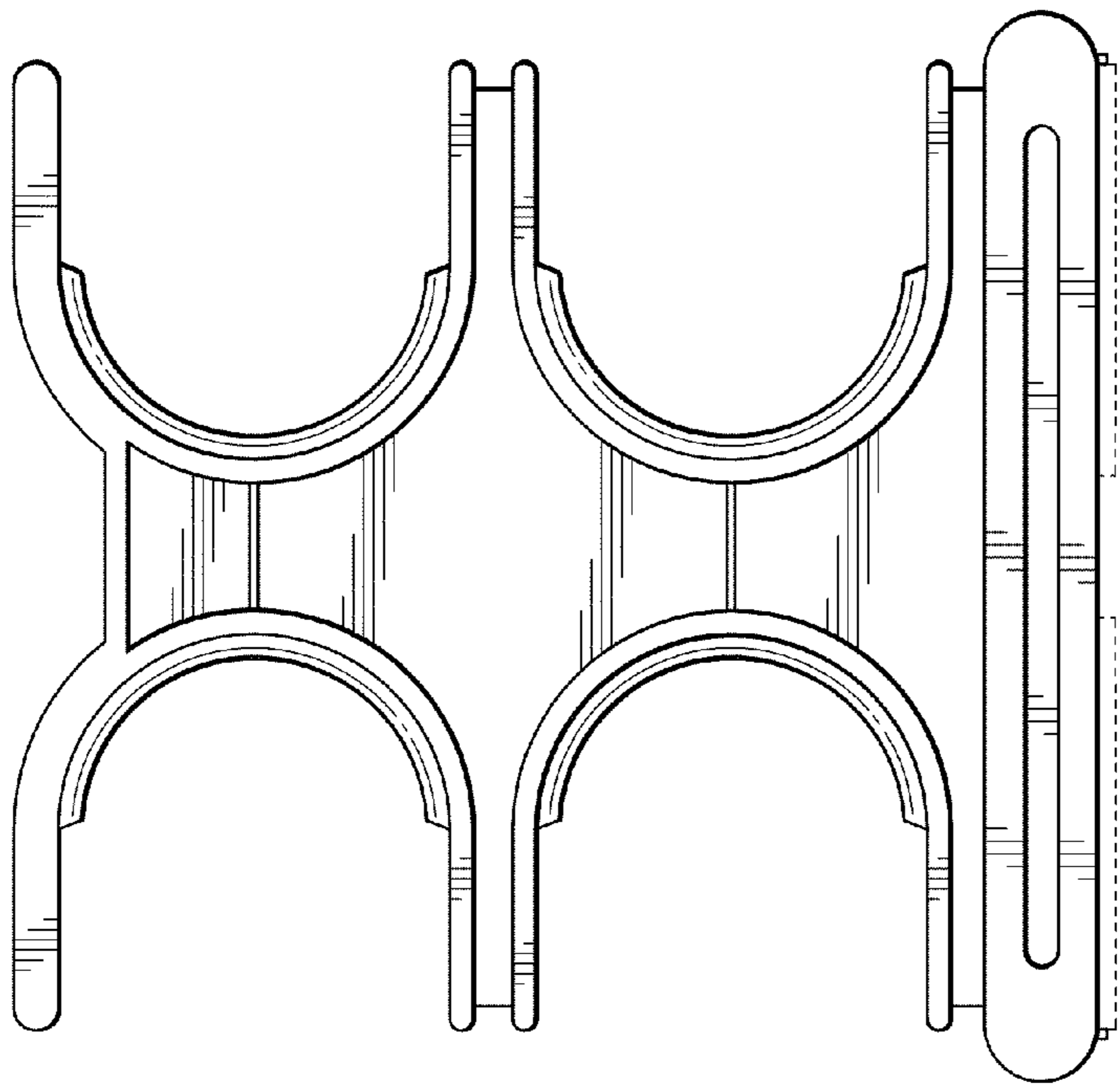


FIG. 3

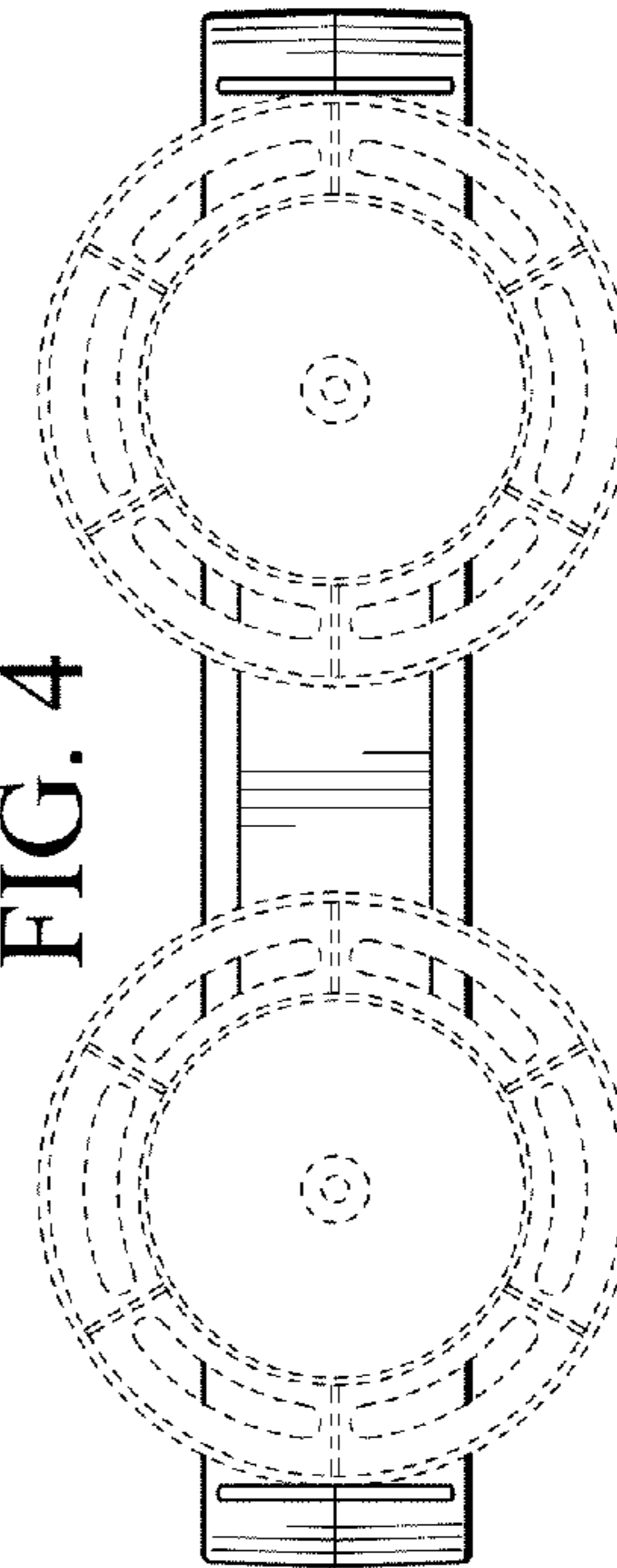


FIG. 4

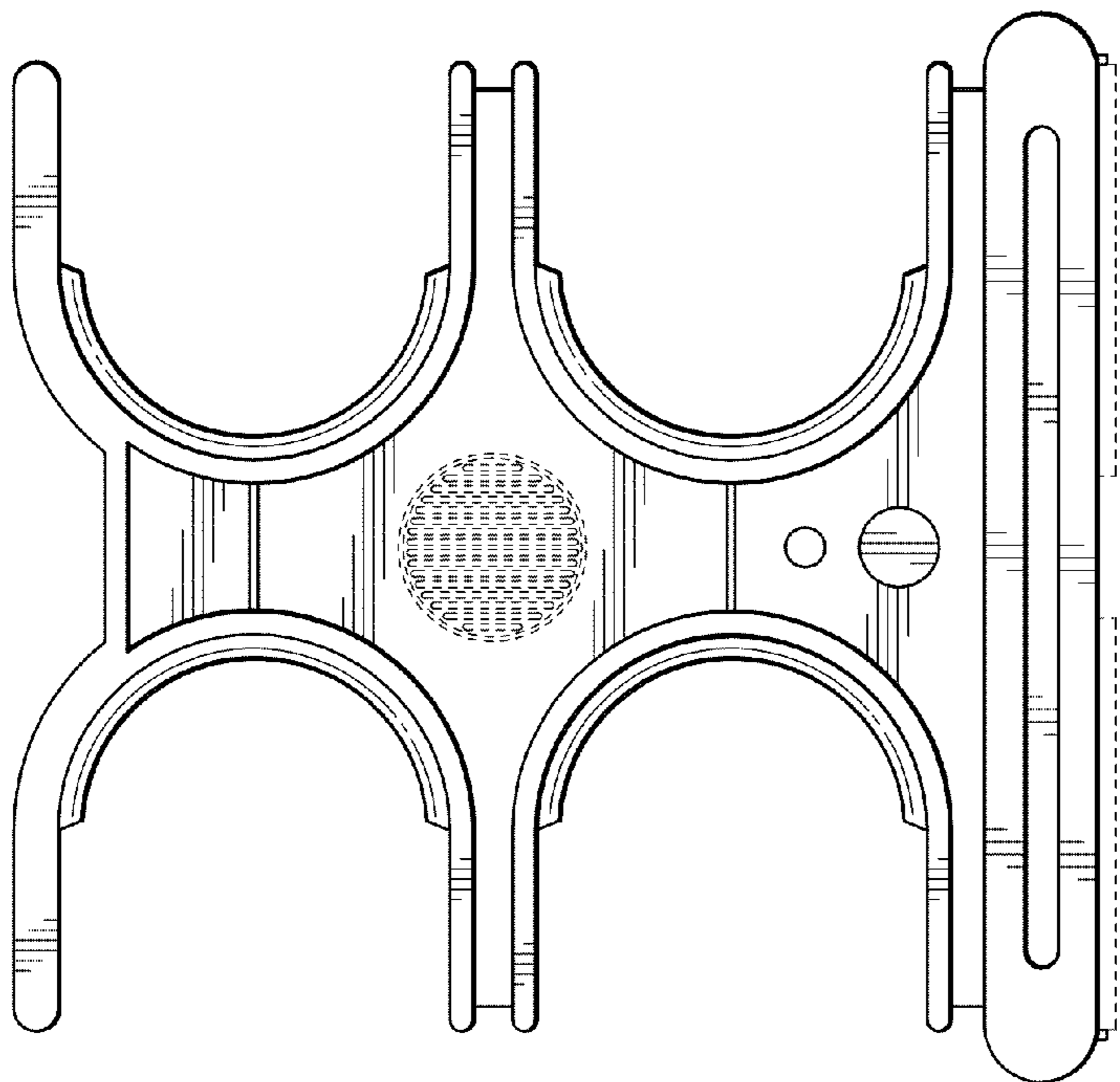


FIG. 5

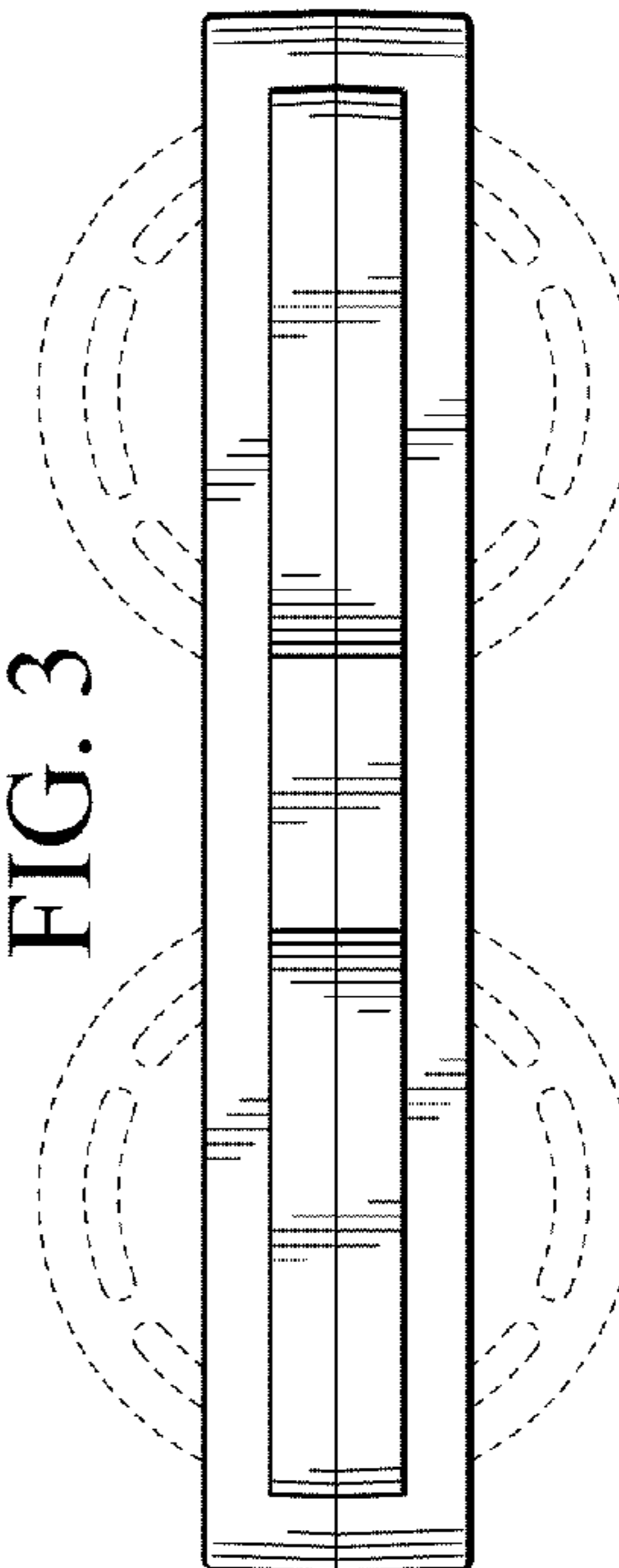


FIG. 6