



US00D649600S

(12) **United States Design Patent**  
**Opsahl**

(10) **Patent No.:** **US D649,600 S**  
(45) **Date of Patent:** **\*\* Nov. 29, 2011**

(54) **REFRIGERANT RECOVERY MACHINE**

**DESCRIPTION**

- (75) Inventor: **Scott Opsahl**, Lakeville, MN (US)
- (73) Assignee: **SPX Corporation**, Charlotte, NC (US)
- (\*\*) Term: **14 Years**
- (21) Appl. No.: **29/328,790**
- (22) Filed: **Dec. 2, 2008**
- (51) **LOC (9) Cl.** ..... **15-07**
- (52) **U.S. Cl.** ..... **D21/79**
- (58) **Field of Classification Search** ..... D15/79,  
D15/81, 89; 62/77, 125, 126, 298, 336; 417/234;  
312/6, 116, 138.1, 236, 405, 406  
See application file for complete search history.

(56) **References Cited**

**U.S. PATENT DOCUMENTS**

D344,527 S *	2/1994	Drago et al. ....	D15/79
D377,179 S *	1/1997	Sundheim et al. ....	D15/79
D449,842 S *	10/2001	Borre et al. ....	D15/79
D474,209 S *	5/2003	Seymour et al. ....	D15/79
D482,373 S *	11/2003	Seymour et al. ....	D15/79
D536,711 S *	2/2007	Sundheim et al. ....	D15/79
D549,744 S *	8/2007	Sundheim et al. ....	D15/79
2010/0154442 A1 *	6/2010	Schoenoff et al. ....	62/77
2011/0132018 A1 *	6/2011	Chang .....	62/298

\* cited by examiner

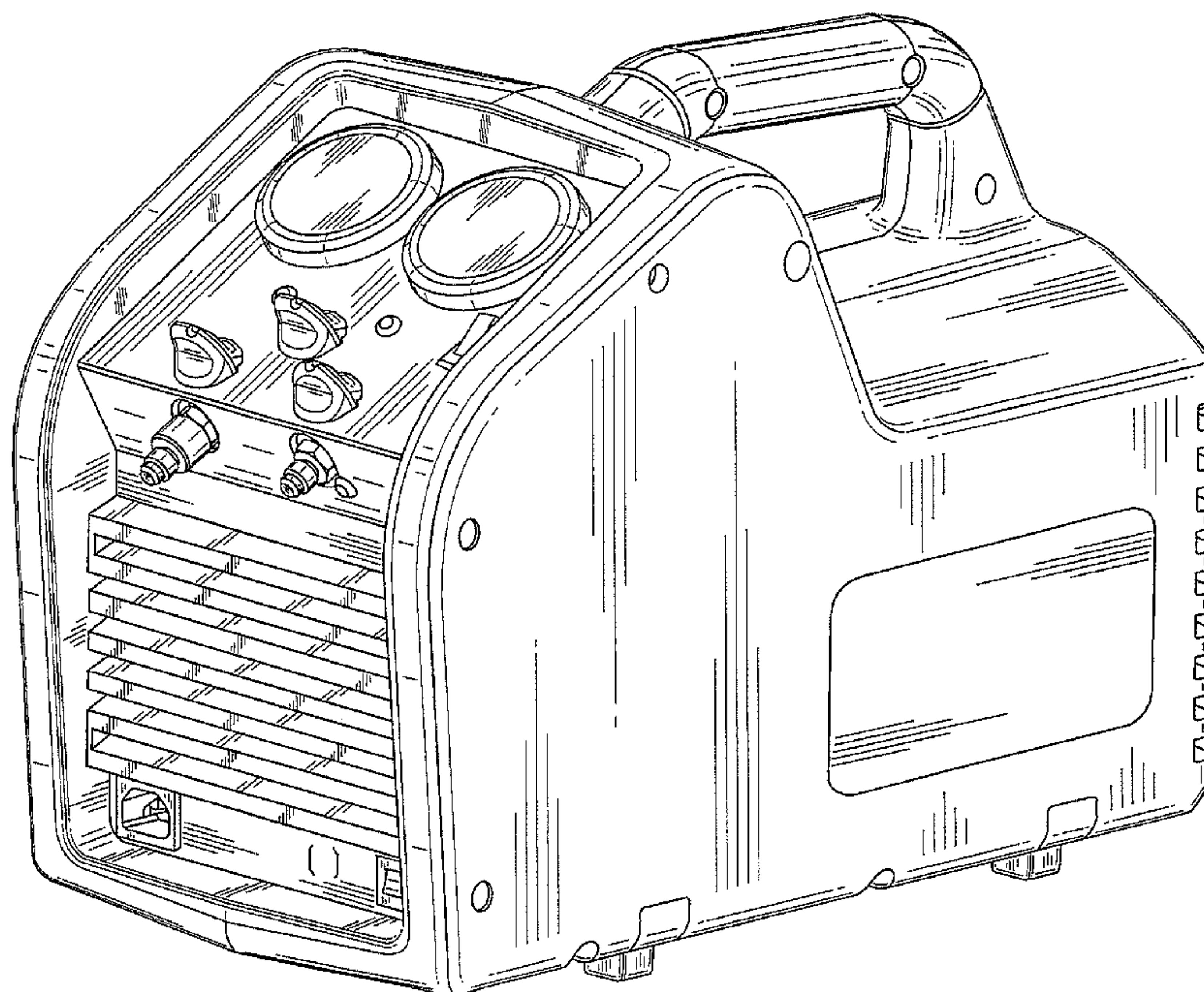
*Primary Examiner* — Mitchell Siegel  
(74) *Attorney, Agent, or Firm* — Baker & Hostetler LLP

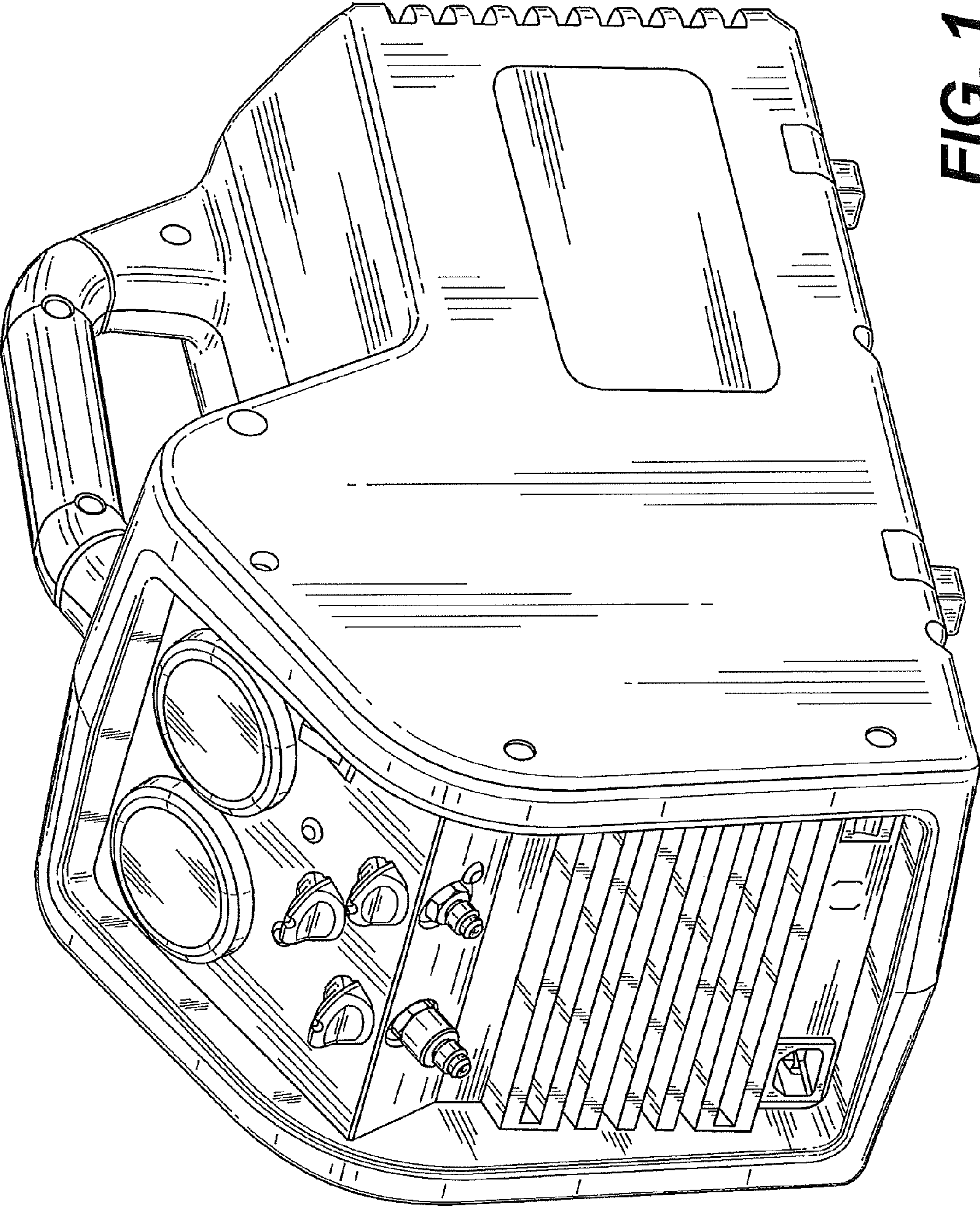
(57) **CLAIM**

The ornamental design for a refrigerant recovery machine, as shown and described.

FIG. 1 is a front perspective view of a refrigerant recovery machine according to the invention;  
 FIG. 2 is a front view of the refrigerant recovery machine according to FIG. 1;  
 FIG. 3 is a top view of the refrigerant recovery machine according to FIG. 1;  
 FIG. 4 is a right side view of the refrigerant recovery machine according to FIG. 1;  
 FIG. 5 is a left side view of the refrigerant recovery machine according to FIG. 1;  
 FIG. 6 is a bottom view of the refrigerant recovery machine according to FIG. 1;  
 FIG. 7 is a back view of the refrigerant recovery machine according to FIG. 1;  
 FIG. 8 is a front perspective view of a second embodiment of a refrigerant recovery machine according to the invention;  
 FIG. 9 is a front view of the refrigerant recovery machine according to FIG. 8;  
 FIG. 10 is a top view of the refrigerant recovery machine according to FIG. 8;  
 FIG. 11 is a right side view of the refrigerant recovery machine according to FIG. 8;  
 FIG. 12 is a left side view of the refrigerant recovery machine according to FIG. 8;  
 FIG. 13 is a bottom view of the refrigerant recovery machine according to FIG. 8; and,  
 FIG. 14 is a back view of the refrigerant recovery machine according to FIG. 8.  
 The broken lines in FIGS. 8-14 are for illustrative purposes only and form no part of the claimed design in those embodiments.

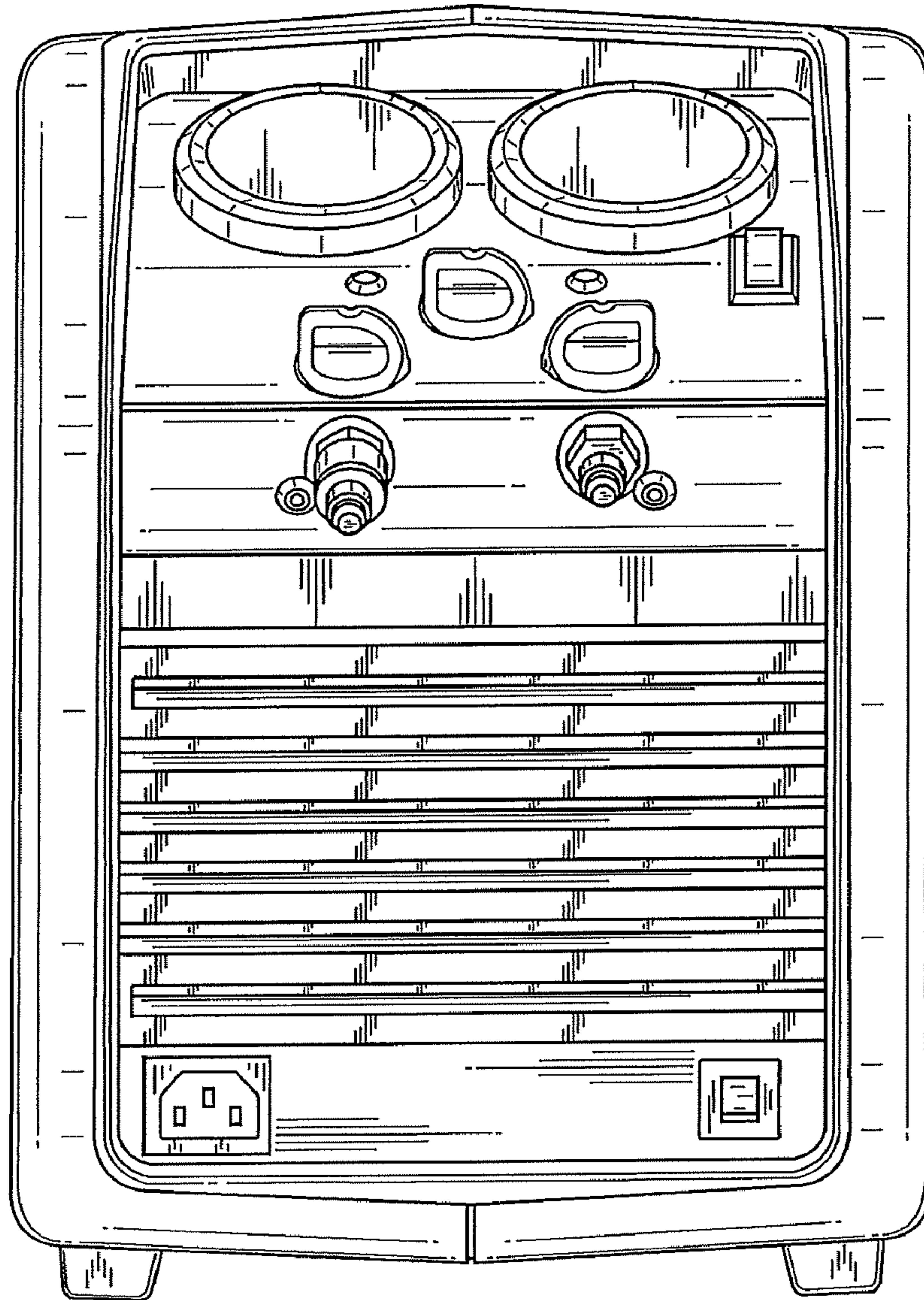
**1 Claim, 14 Drawing Sheets**



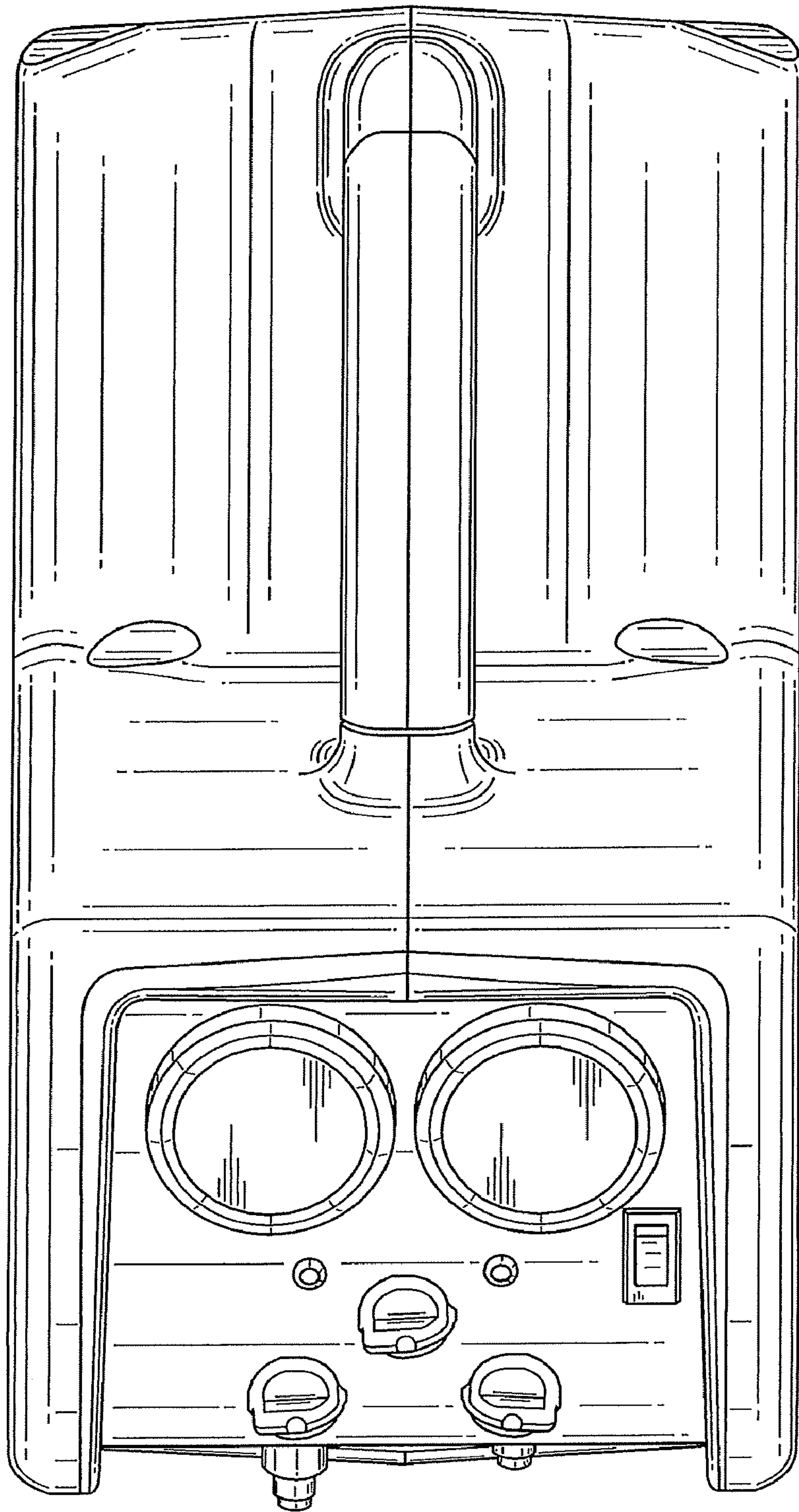


**FIG. 1**

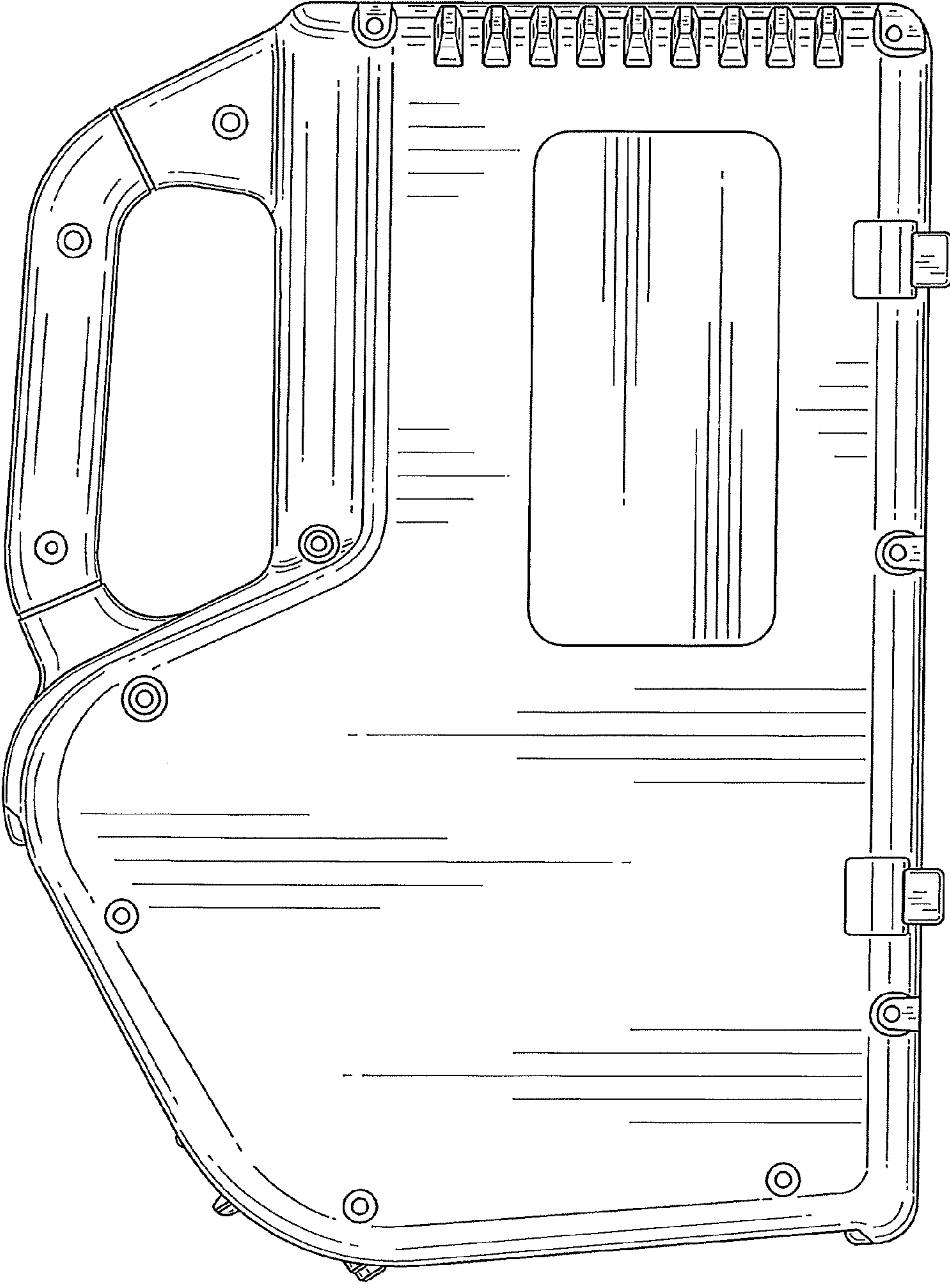




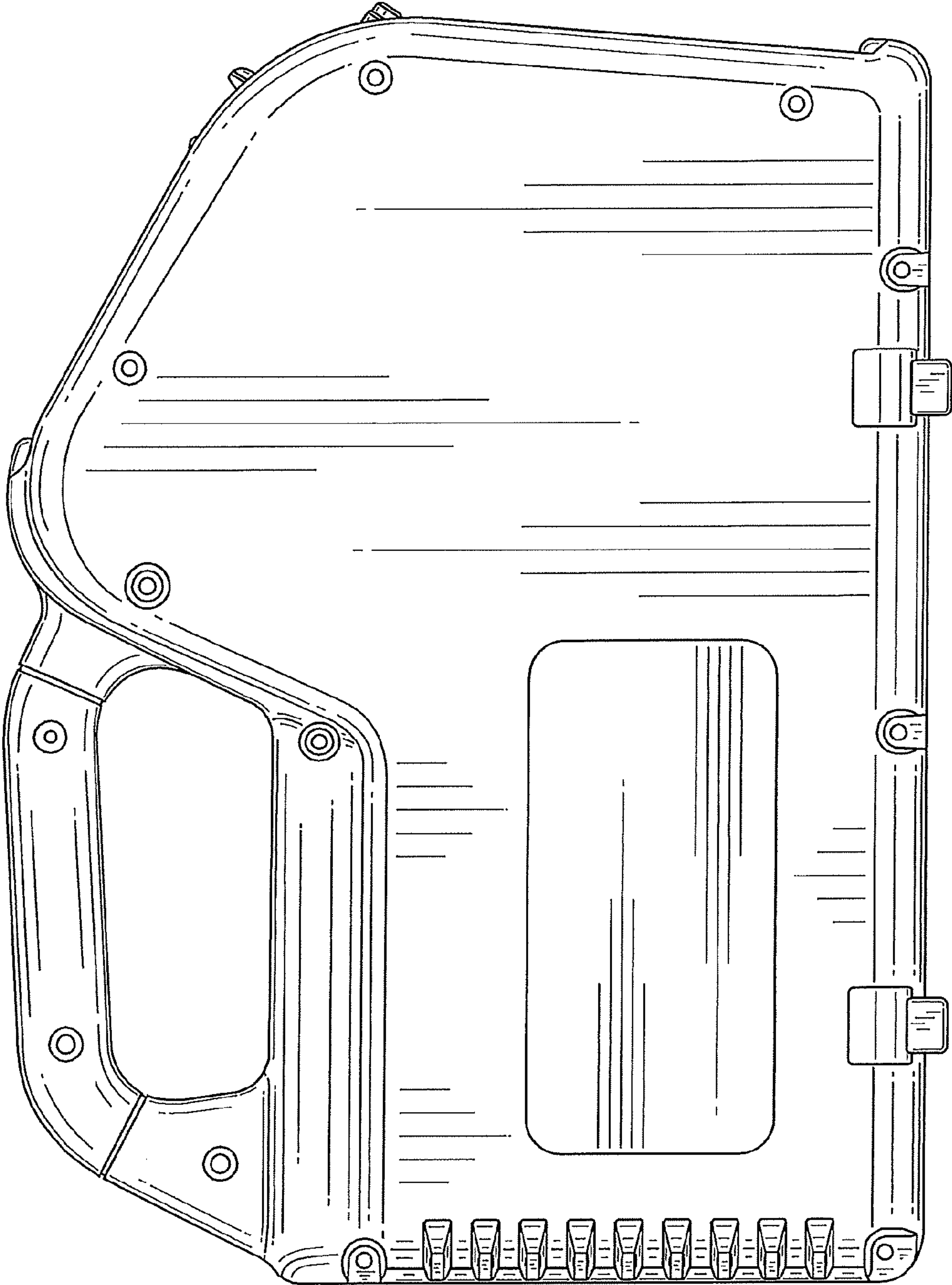
**FIG. 2**



**FIG. 3**

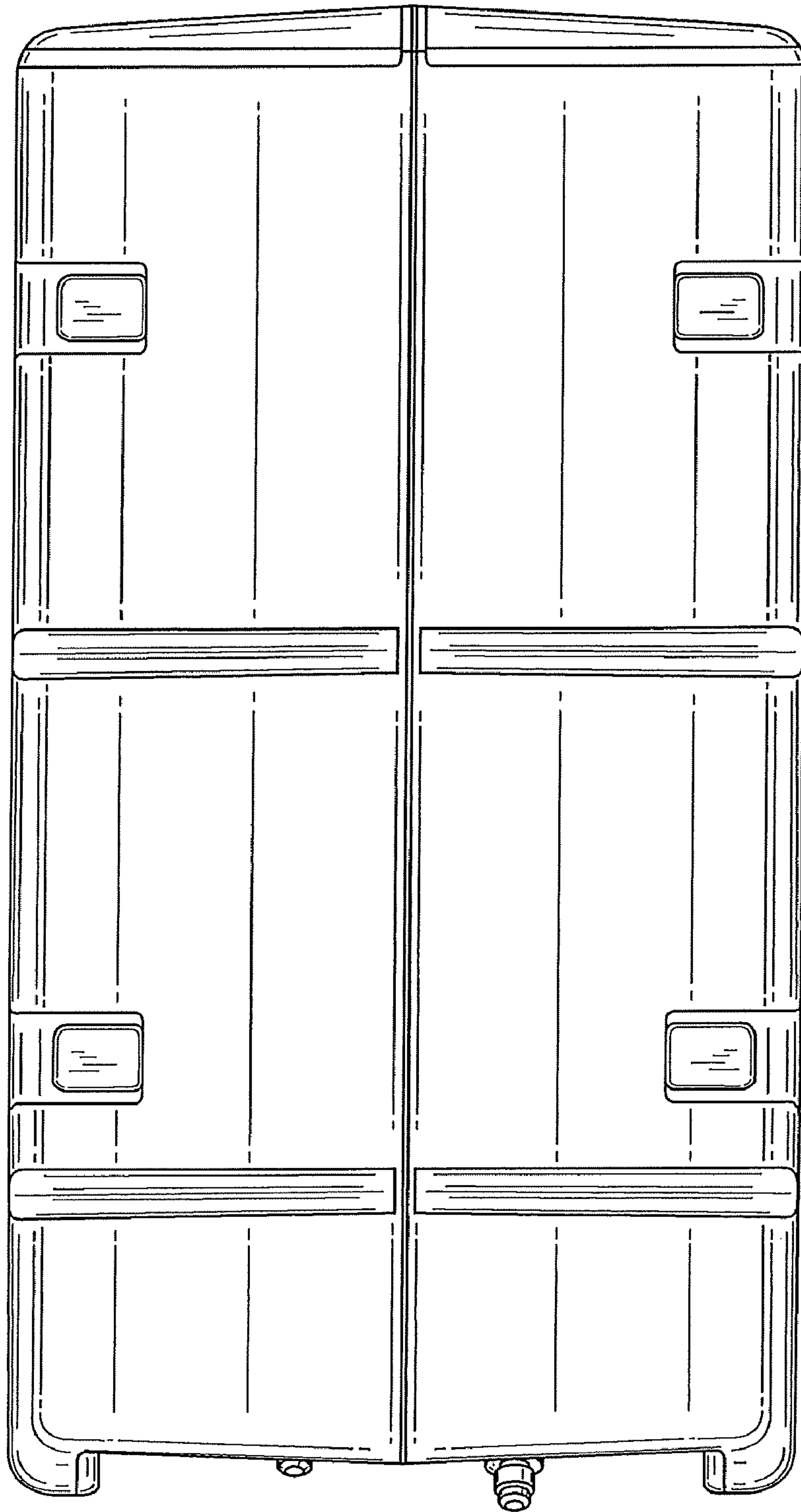


**FIG. 4**

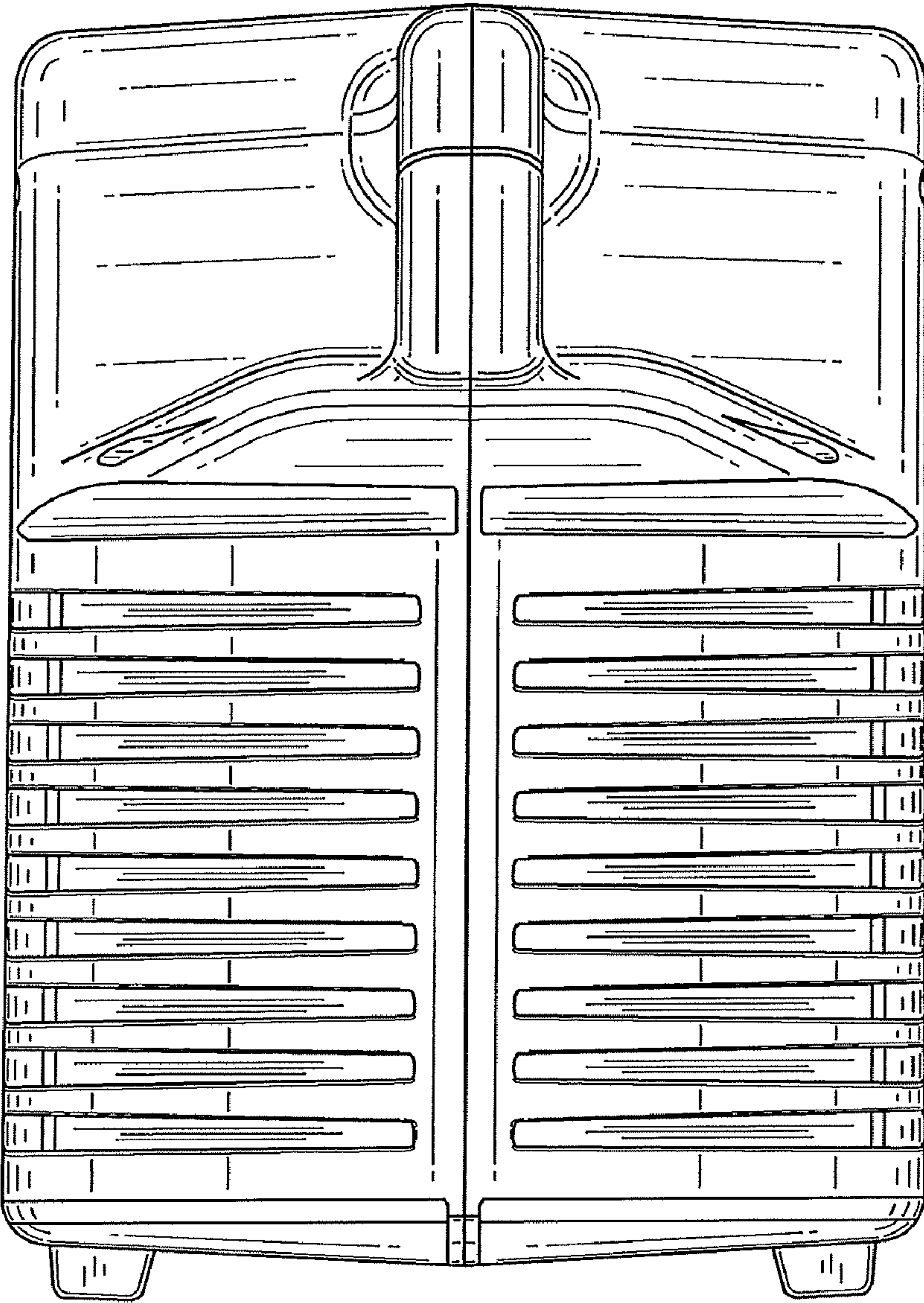


**FIG. 5**





**FIG. 6**



**FIG. 7**



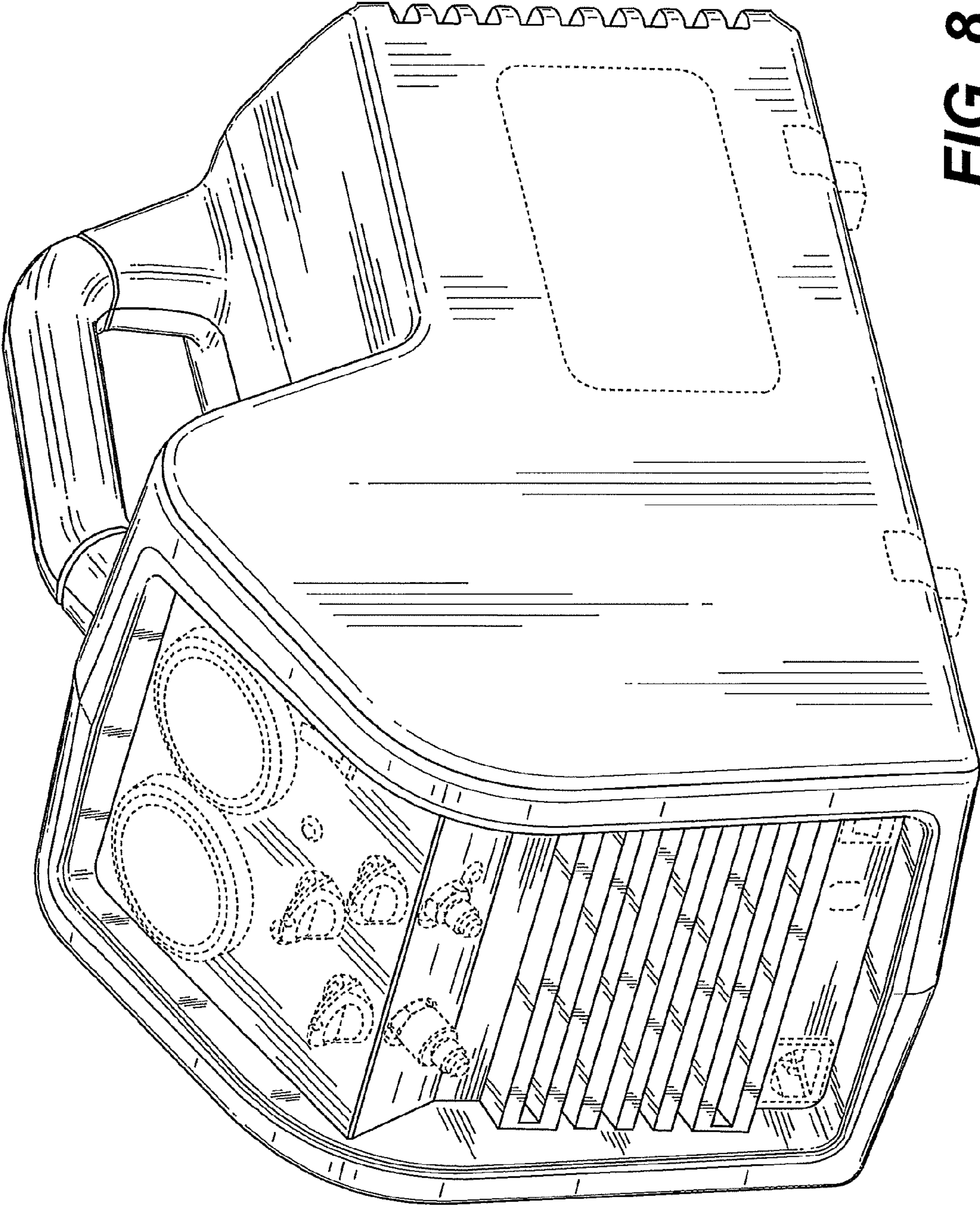
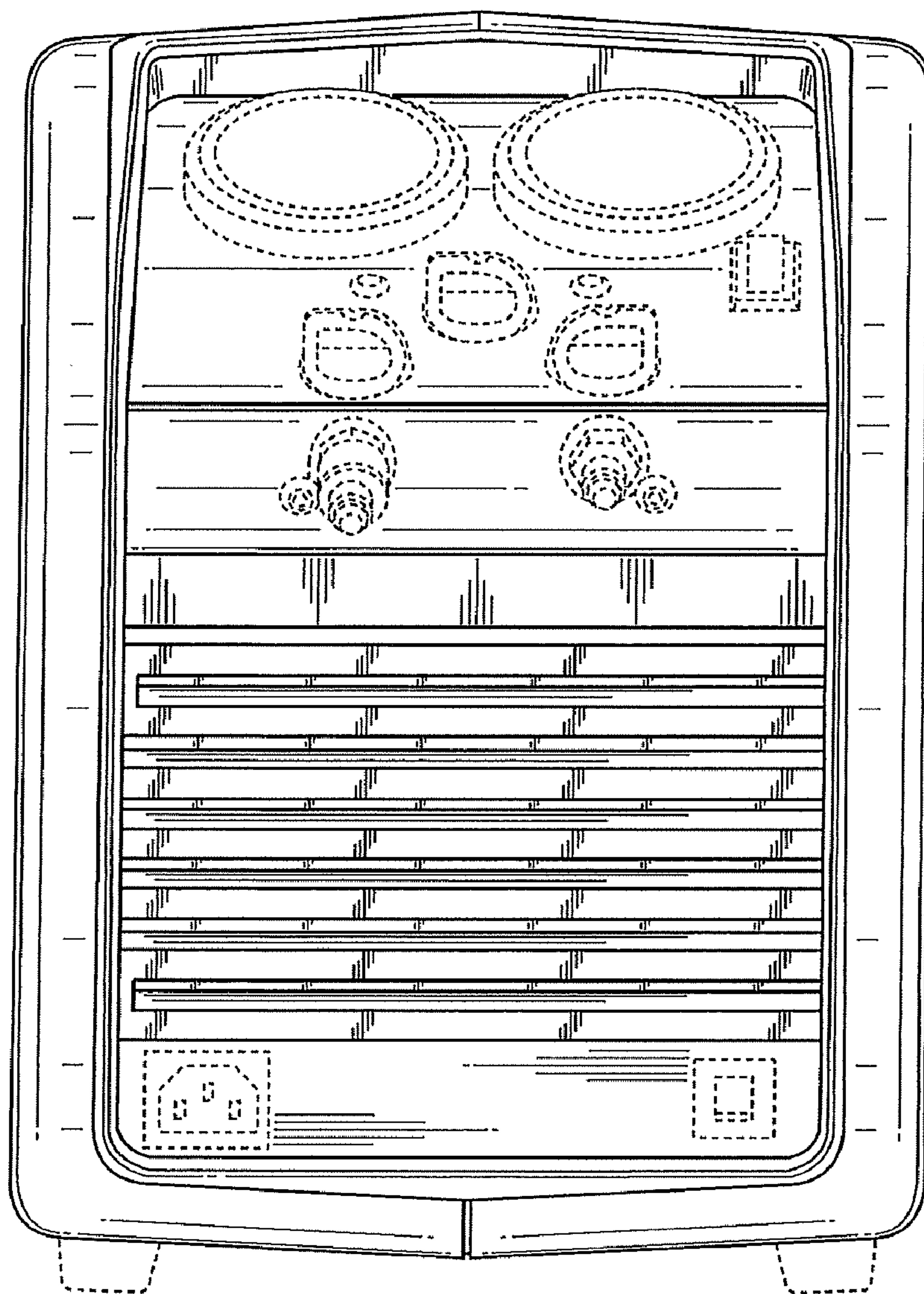
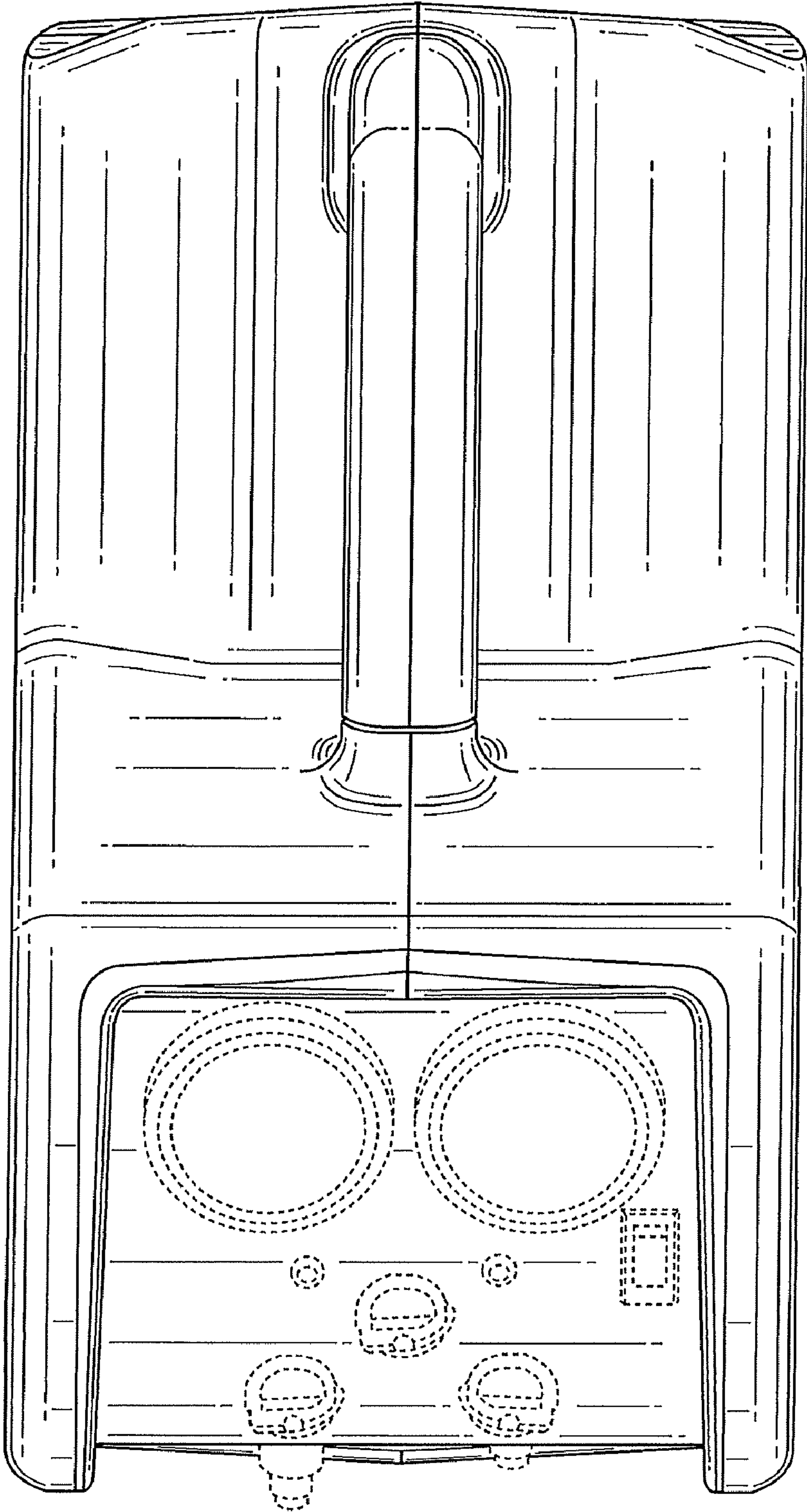


FIG. 8

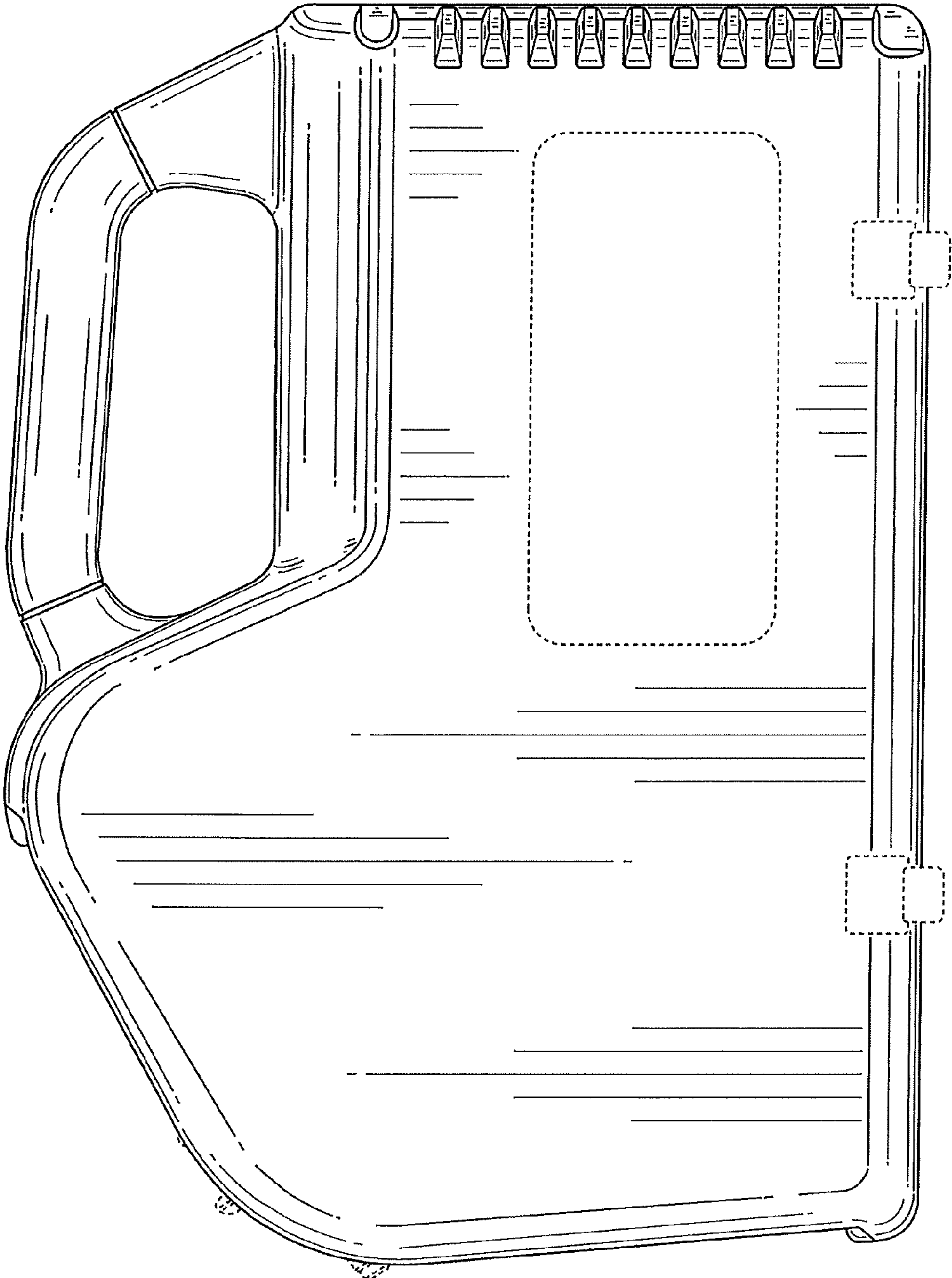


**FIG. 9**

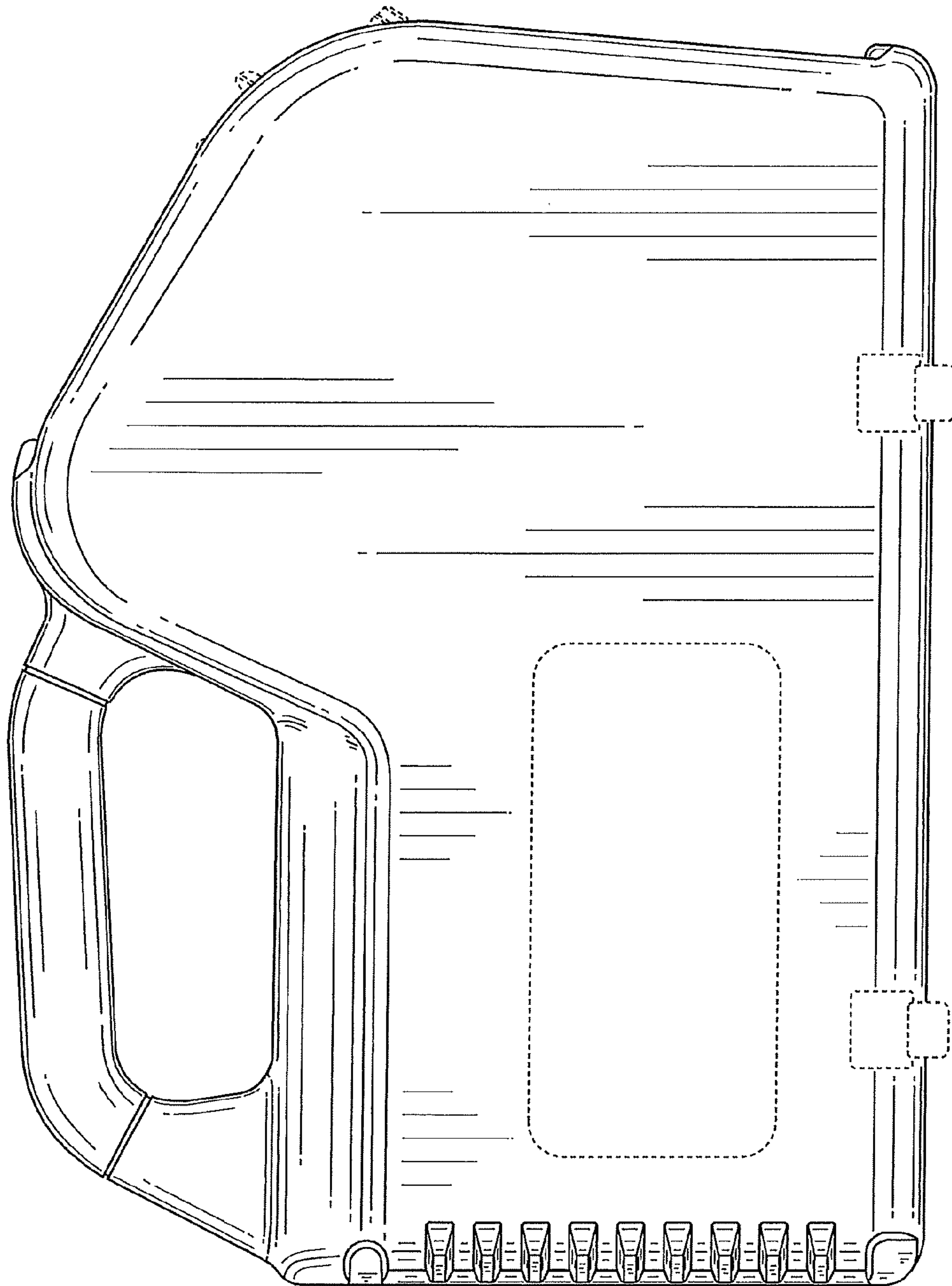


**FIG. 10**

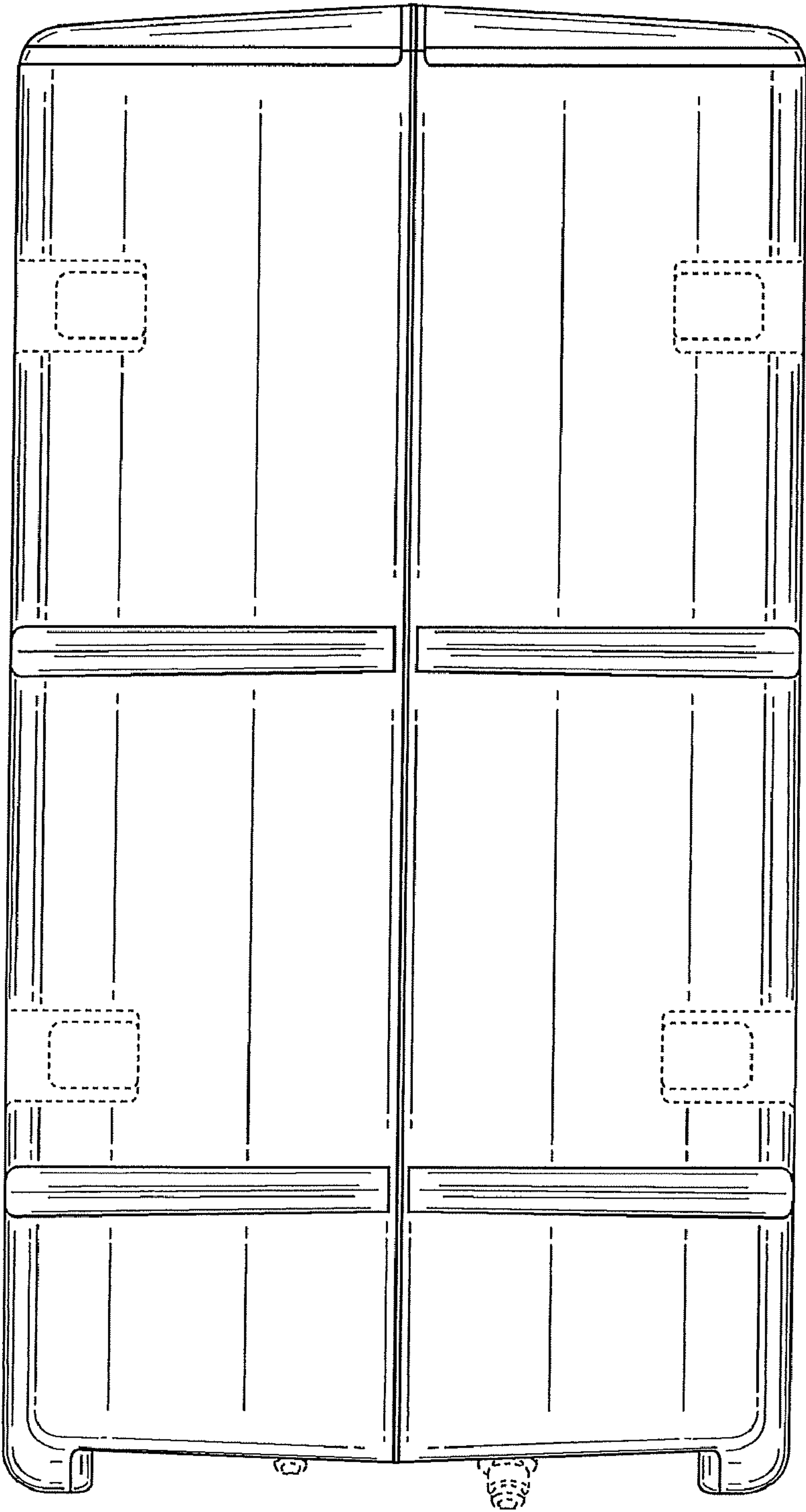




**FIG. 11**

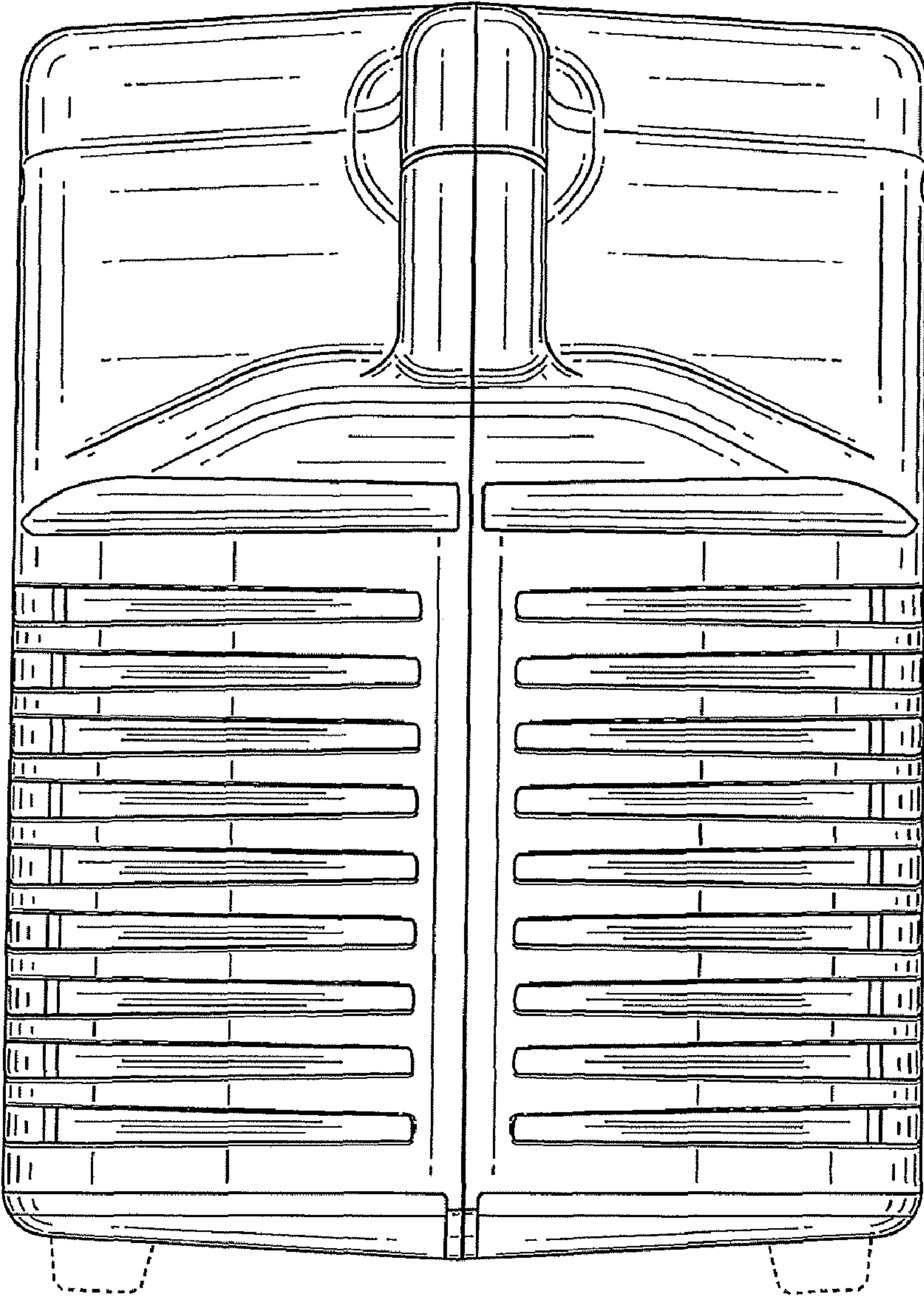


**FIG. 12**



**FIG. 13**





**FIG. 14**