



US00D649593S

(12) **United States Design Patent**
Ariga et al.

(10) **Patent No.:** **US D649,593 S**

(45) **Date of Patent:** **** Nov. 29, 2011**

(54) **FILM DISPENSING TOOL FOR STATIONERY**

(75) Inventors: **Hiroyuki Ariga**, Tokyo (JP); **Yasuo Narita**, Tokyo (JP); **Mizuho Uesugi**, Tokyo (JP)

(73) Assignee: **Plus Corporation**, Tokyo (JP)

(**) Term: **14 Years**

(21) Appl. No.: **29/360,396**

(22) Filed: **Apr. 26, 2010**

(30) **Foreign Application Priority Data**

Dec. 14, 2009 (JP) 2009-029065

(51) **LOC (9) Cl.** **19-02**

(52) **U.S. Cl.** **D19/69**

(58) **Field of Classification Search** D19/66,
D19/67, 68, 69, 70; 156/523, 257, 540, 577;
206/411; 225/6, 25, 39, 77; 242/588, 588.1,
242/588.2, 588.3, 588.6, 5

See application file for complete search history.

(56) **References Cited**

U.S. PATENT DOCUMENTS

D475,747 S *	6/2003	Ono	D19/69
D506,508 S *	6/2005	Shimizu et al.	D19/69
D522,582 S *	6/2006	Shimizu et al.	D19/69
D523,479 S *	6/2006	Shimizu et al.	D19/69
D532,457 S *	11/2006	Chen	D19/69

D544,544 S *	6/2007	Wu	D19/69
D547,804 S *	7/2007	Wu	D19/69
D581,466 S *	11/2008	Lin	D19/69
D595,719 S *	7/2009	Hu	D14/411
D615,126 S *	5/2010	Syal	D19/69
D636,025 S *	4/2011	Kouda	D19/69
2010/0288193 A1 *	11/2010	Wu	118/76
2011/0120658 A1 *	5/2011	Narita	156/538
2011/0120659 A1 *	5/2011	Narita	156/577

* cited by examiner

Primary Examiner — Austin Murphy

(74) *Attorney, Agent, or Firm* — William J. Sapone;
Coleman Sudol Sapone P.C.

(57) **CLAIM**

We claim the ornamental design for a film dispensing tool for stationery, as shown and described.

DESCRIPTION

FIG. 1 is a front view of the film dispensing tool for stationery showing our new design, the hash marks appearing in the drawings indicating transparent sections of the design;

FIG. 2 is a rear side view thereof;

FIG. 3 is a top view thereof;

FIG. 4 is a bottom view thereof;

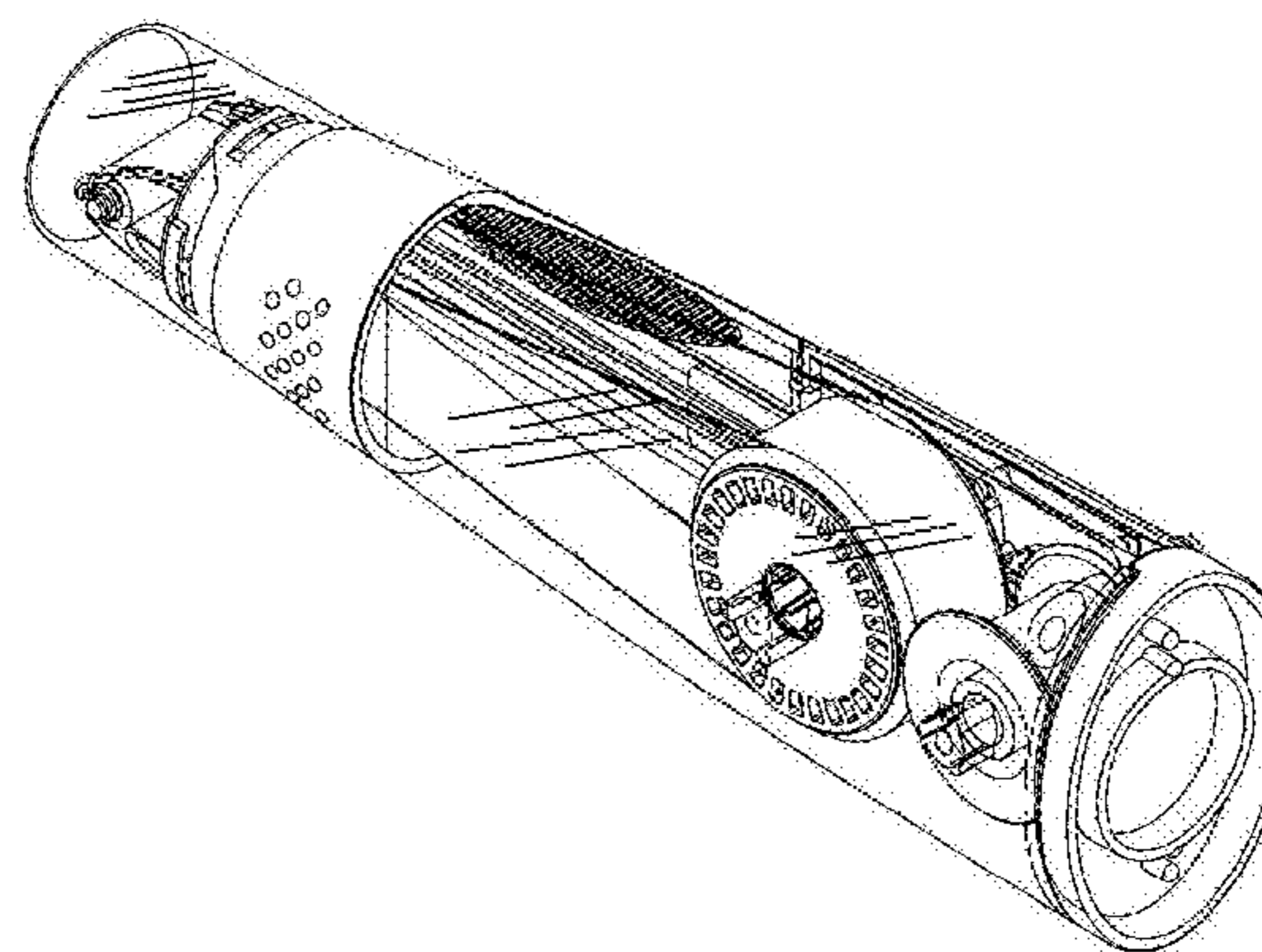
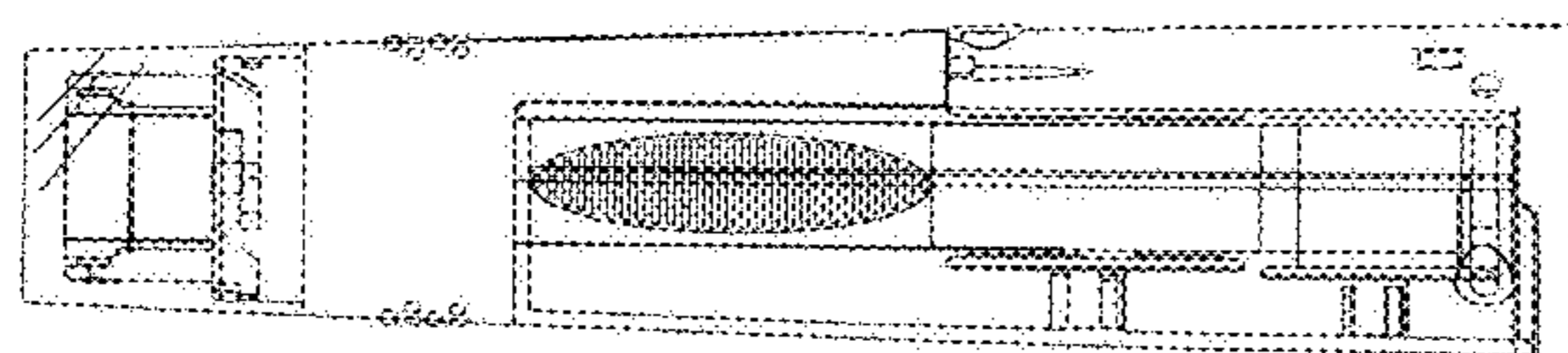
FIG. 5 is a left side view thereof;

FIG. 6 is a right side view thereof;

FIG. 7 is a front perspective view thereof; and,

FIG. 8 is a front perspective view with a front protective cap removed so that the film dispensing tool is ready for use.

1 Claim, 4 Drawing Sheets



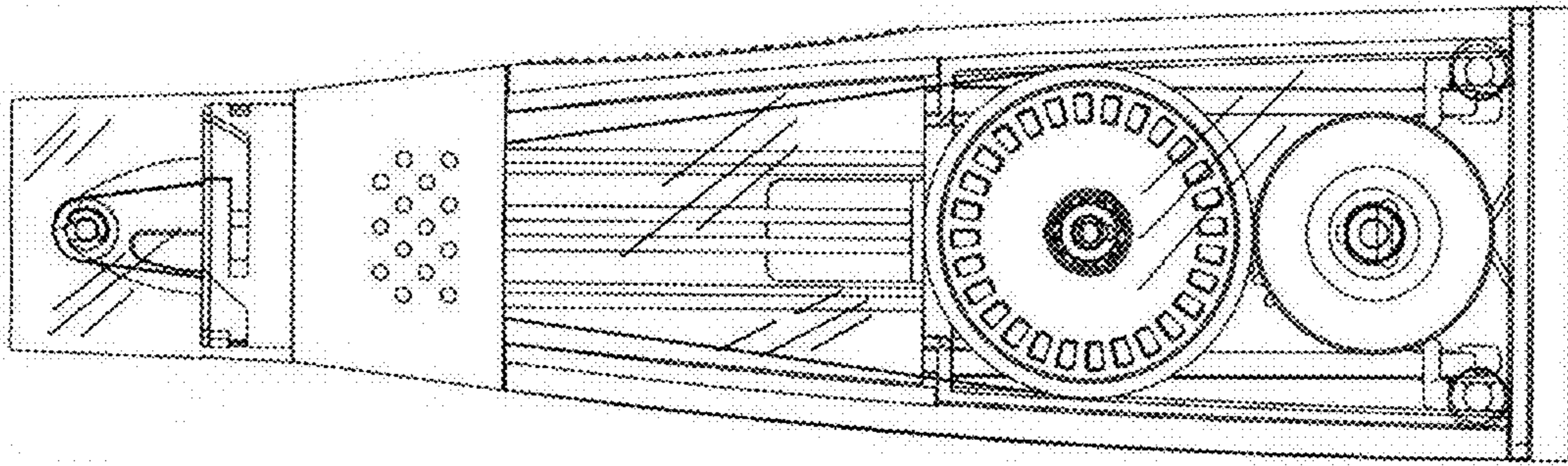


Fig. 1

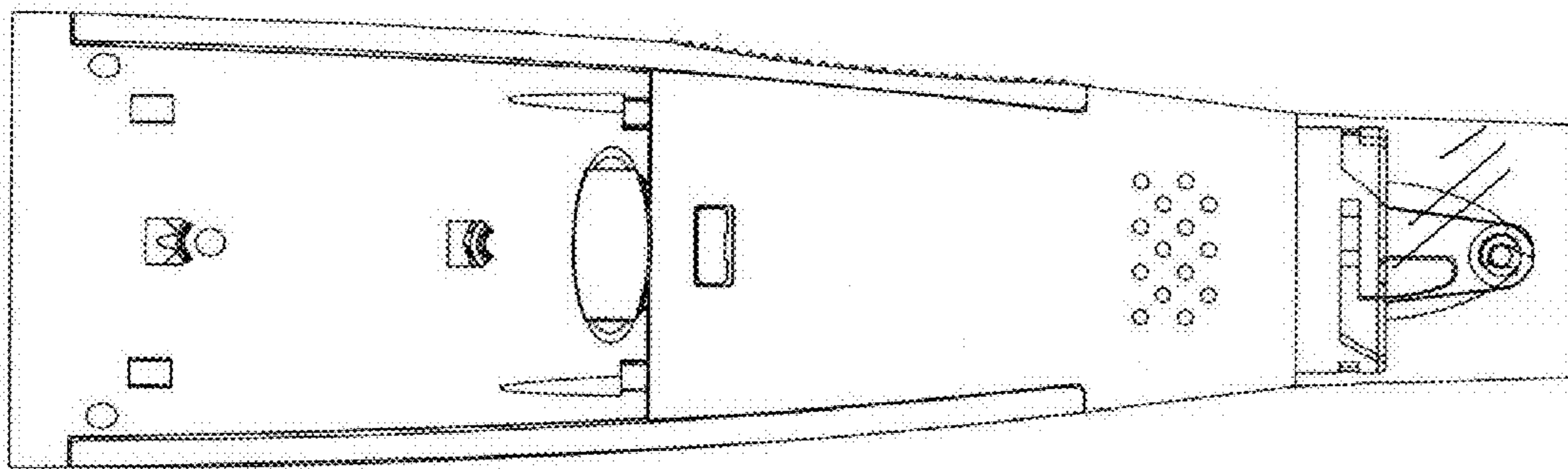


Fig. 2

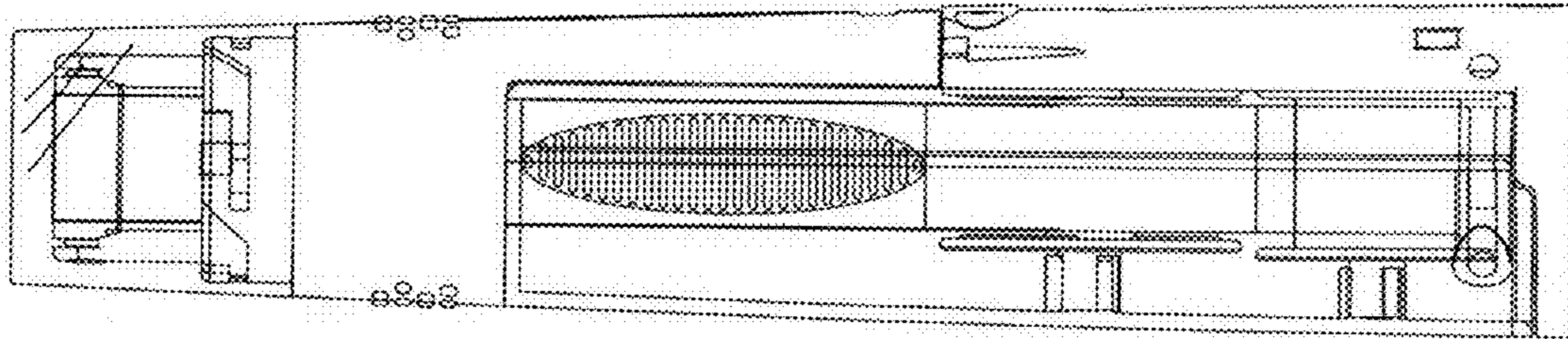


Fig. 3

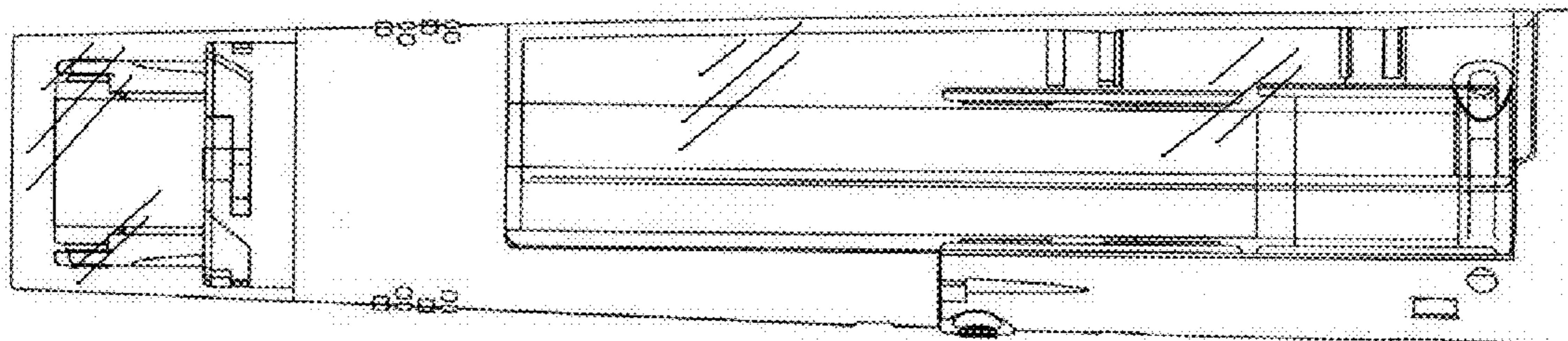


Fig. 4

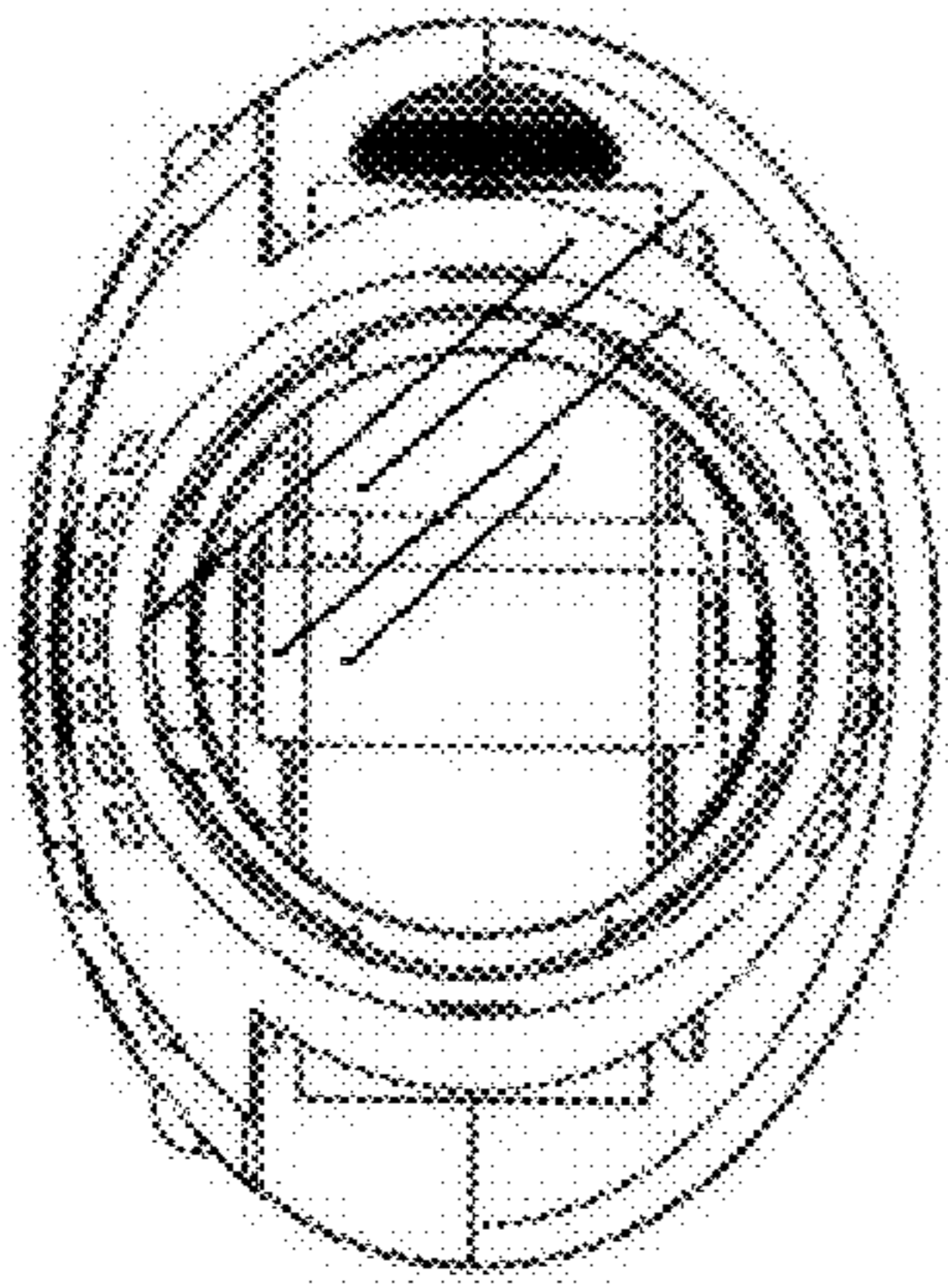


Fig. 5

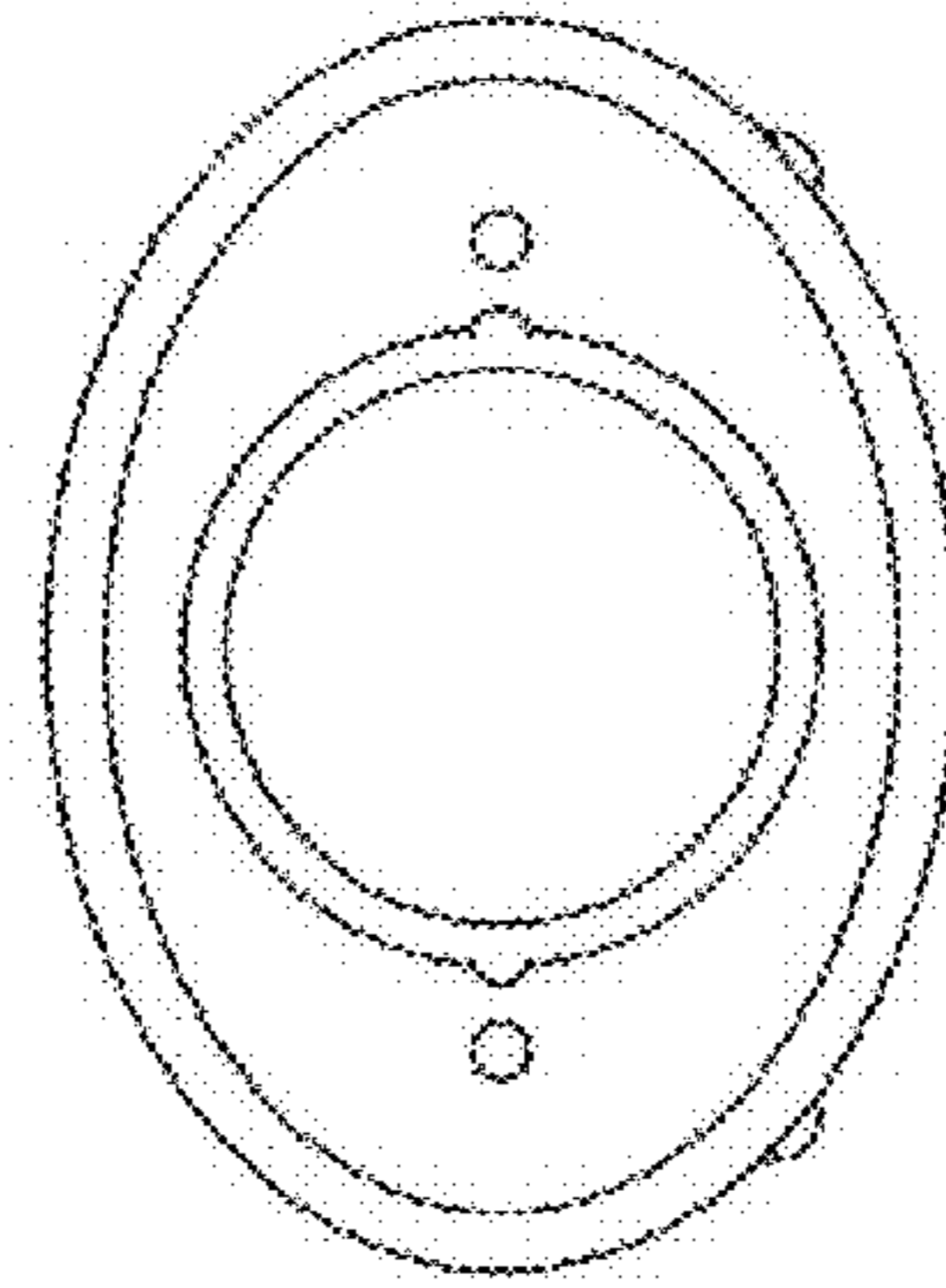


Fig. 6

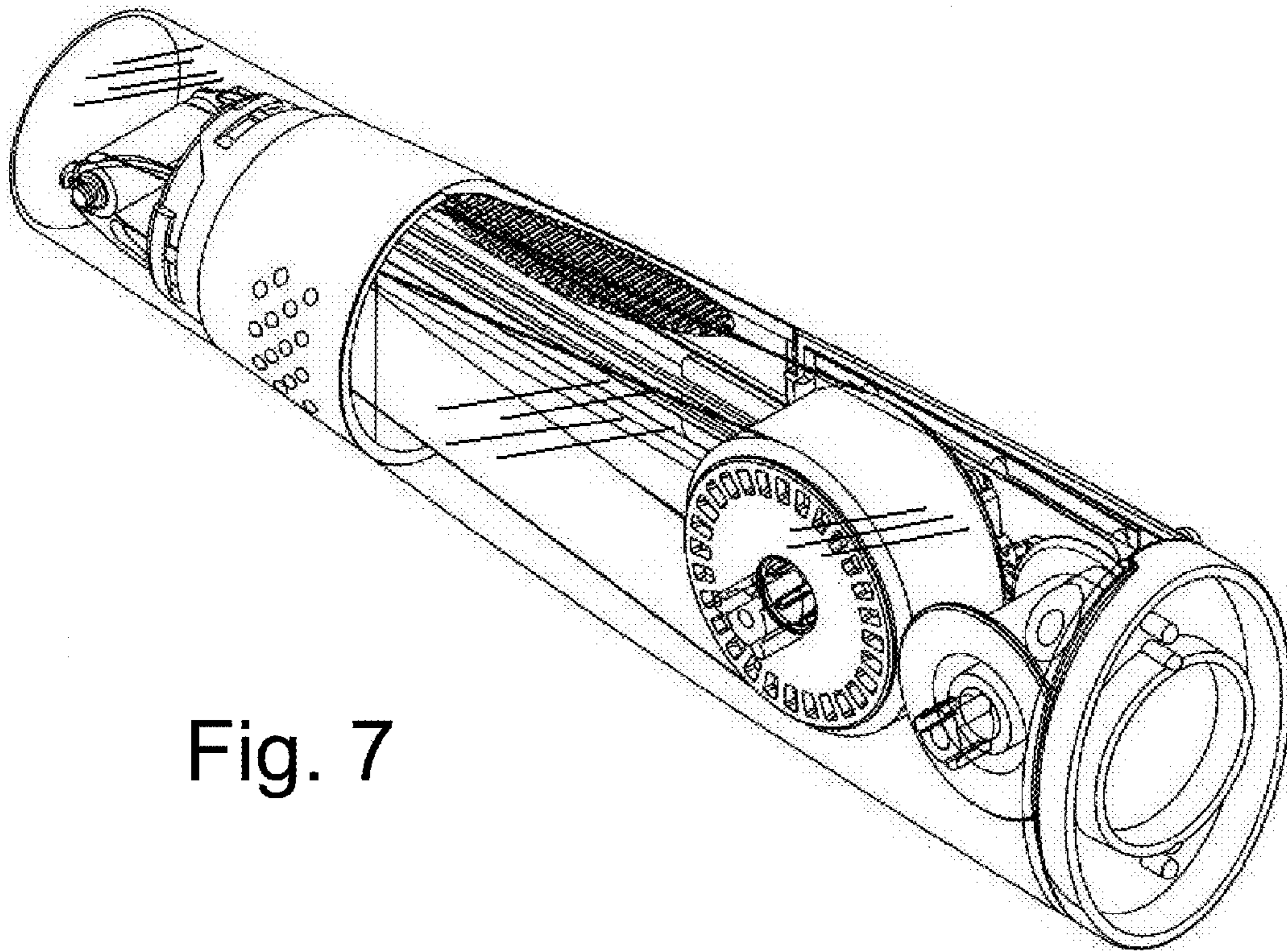


Fig. 7

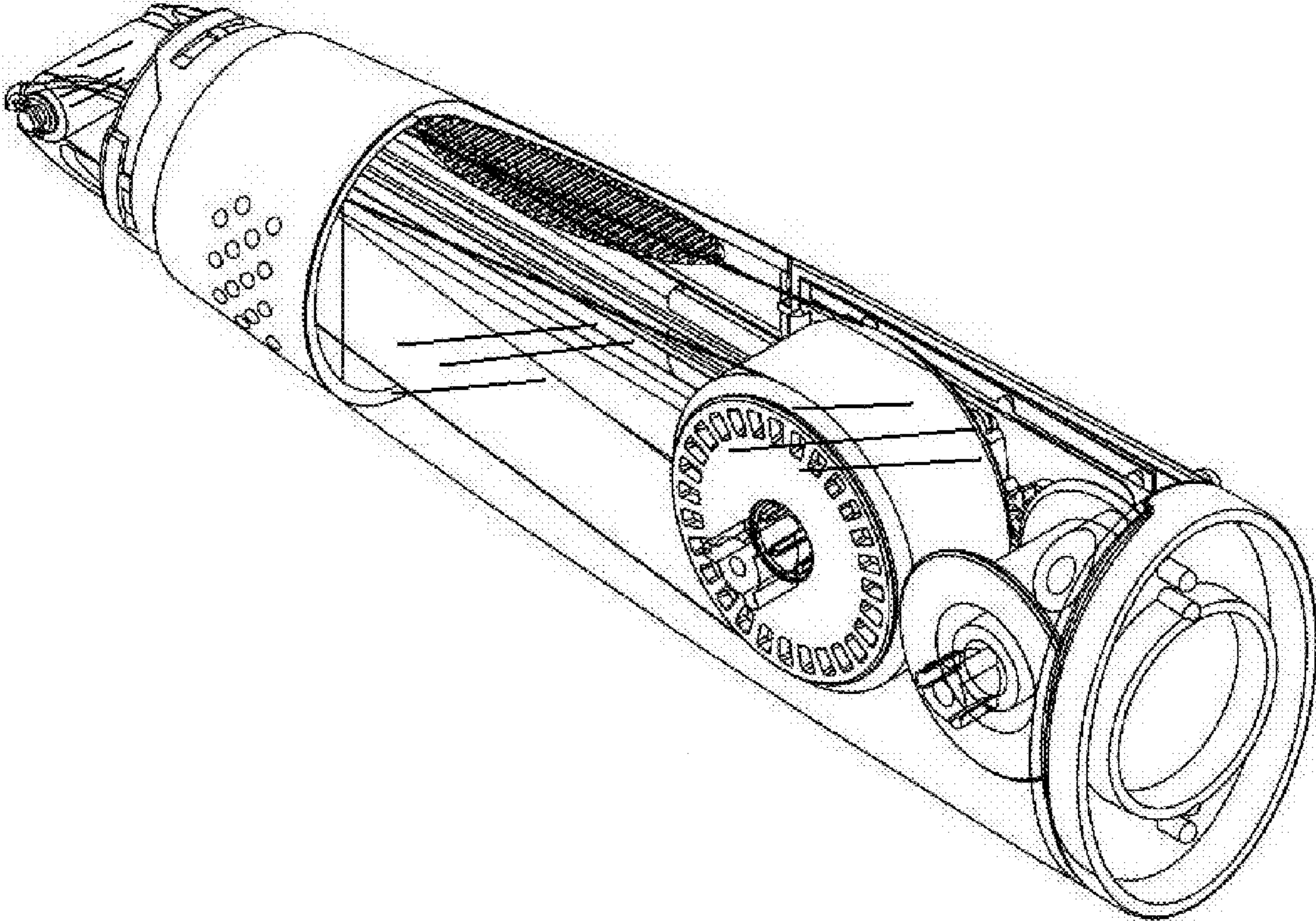


Fig. 8