



US00D649592S

(12) **United States Design Patent**
Ariga et al.

(10) **Patent No.:** **US D649,592 S**

(45) **Date of Patent:** **** Nov. 29, 2011**

(54) **FILM DISPENSING TOOL FOR STATIONERY**

(75) Inventors: **Hiroyuki Ariga**, Tokyo (JP); **Yasuo Narita**, Tokyo (JP); **Mizuho Uesugi**, Tokyo (JP)

(73) Assignee: **Plus Corporation**, Toyko (JP)

(**) Term: **14 Years**

(21) Appl. No.: **29/351,575**

(22) Filed: **Dec. 8, 2009**

(30) **Foreign Application Priority Data**

Oct. 5, 2009 (JP) 2009-023204

(51) **LOC (9) Cl.** **19-02**

(52) **U.S. Cl.** **D19/69**

(58) **Field of Classification Search** D19/66,
D19/67, 68, 69, 70; 156/523, 257, 540, 577;
206/411; 225/6, 25, 39, 77; 242/588, 588.1,
242/588.2, 588.3, 588.6, 5

See application file for complete search history.

(56) **References Cited**

U.S. PATENT DOCUMENTS

D475,747 S * 6/2003 Ono D19/69
D506,508 S * 6/2005 Shimizu et al. D19/69
D522,582 S * 6/2006 Shimizu et al. D19/69
D523,479 S * 6/2006 Shimizu et al. D19/69

D532,457 S * 11/2006 Chen D19/69
D544,544 S * 6/2007 Wu D19/69
D547,804 S * 7/2007 Wu D19/69
D581,466 S * 11/2008 Lin D19/69
D595,719 S * 7/2009 Hu D14/411
D615,126 S * 5/2010 Syal D19/69
D636,025 S * 4/2011 Kouda D19/69
2010/0288193 A1* 11/2010 Wu 118/76
2011/0120658 A1* 5/2011 Narita 156/538
2011/0120659 A1* 5/2011 Narita 156/577

* cited by examiner

Primary Examiner — Austin Murphy

(74) *Attorney, Agent, or Firm* — William J. Sapone;
Coleman Sudol Sapone P.C.

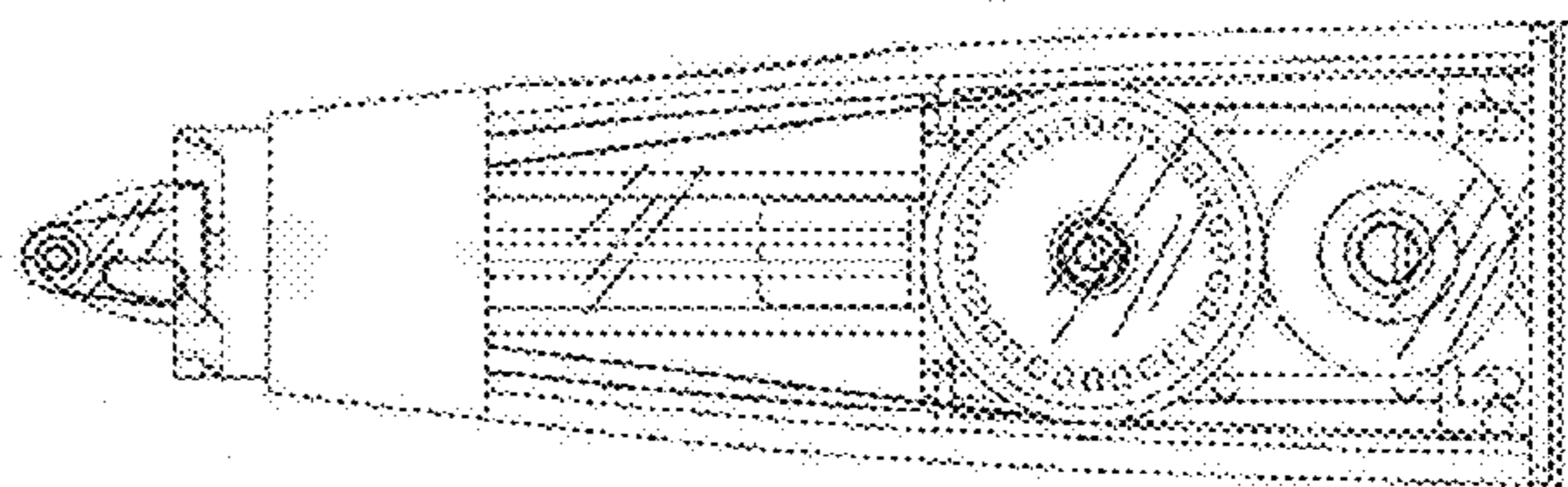
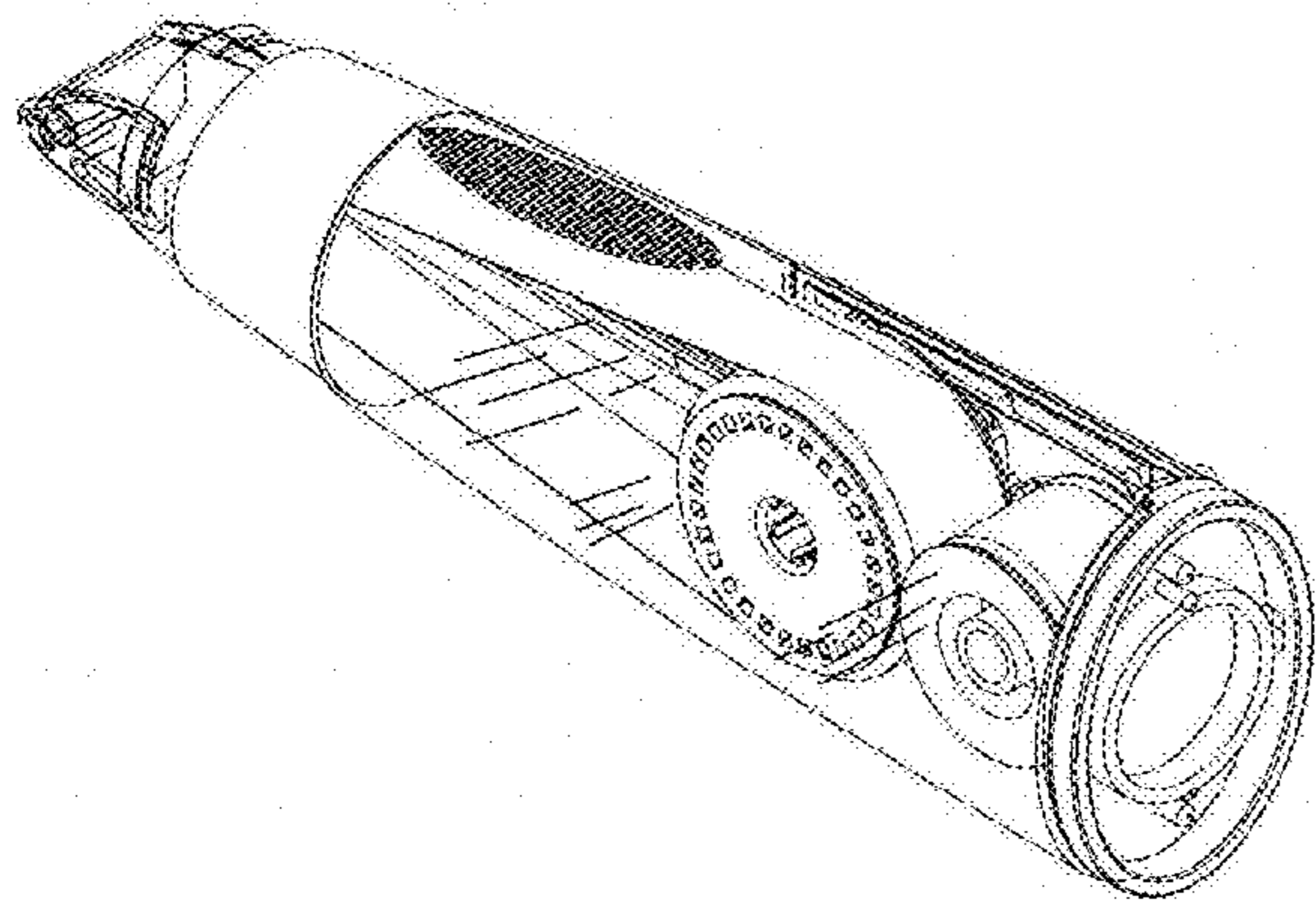
(57) **CLAIM**

We claim the ornamental design for a film dispensing tool for stationery, as shown and described.

DESCRIPTION

FIG. 1 is a perspective view of the film dispensing tool for stationery showing our new design, the hash marks appearing in the drawings indicating transparent sections of the design; FIG. 2 is a right side view thereof; FIG. 3 is a left side view thereof; FIG. 4 is a bottom view thereof; FIG. 5 is a top view thereof; FIG. 6 is a front view thereof of the film dispensing end of the tool; and, FIG. 7 is a rear view thereof.

1 Claim, 2 Drawing Sheets



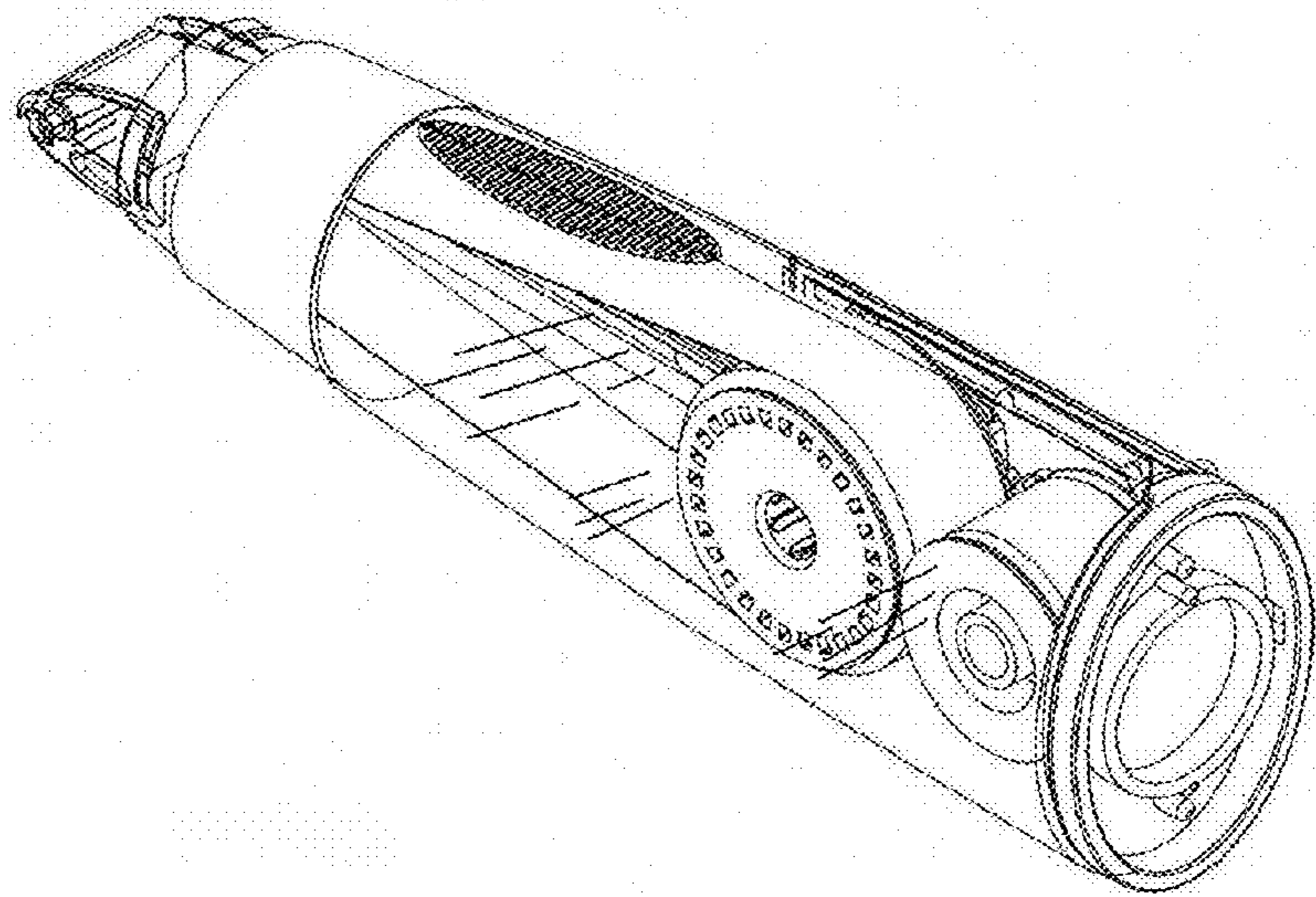


Fig. 1

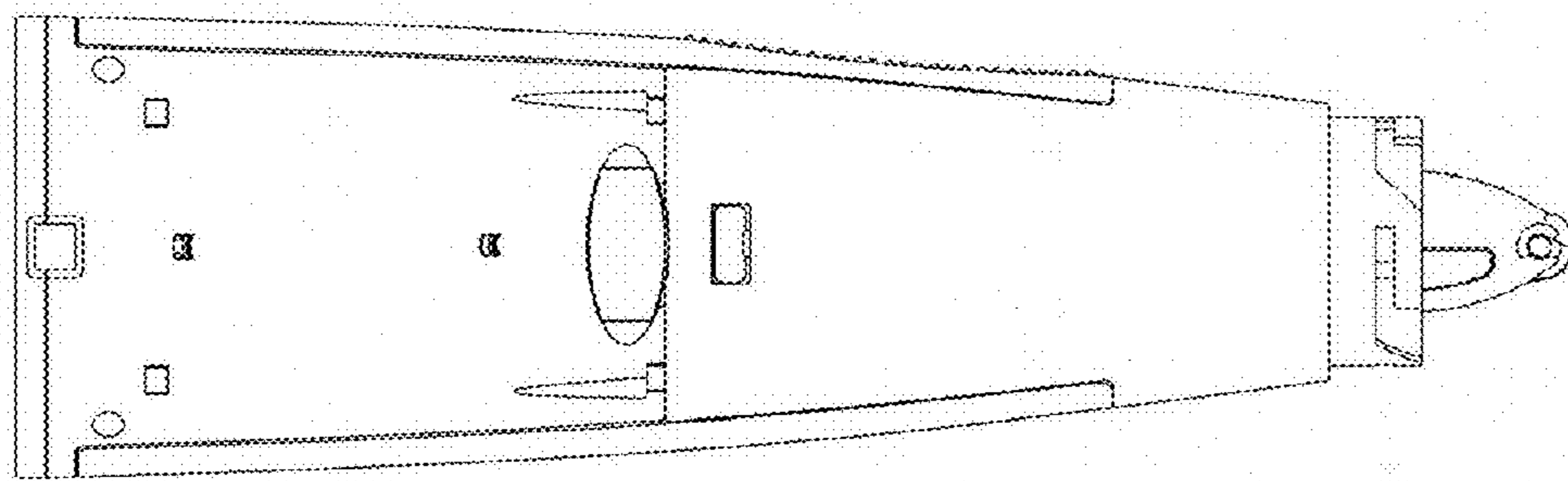


Fig. 2

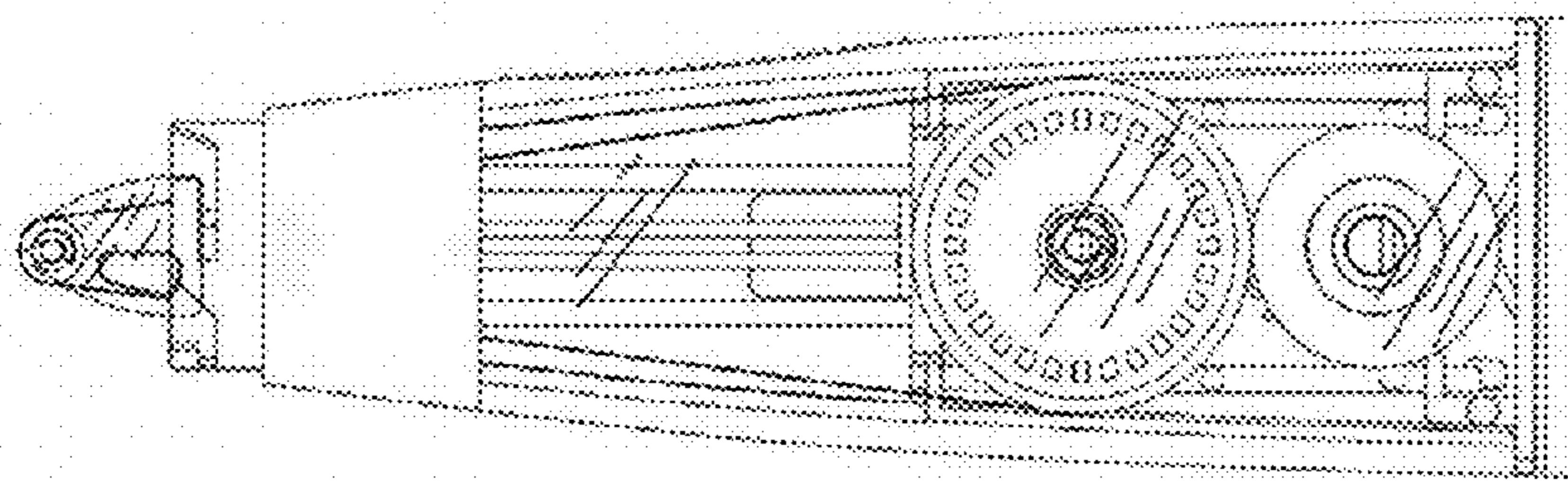


Fig. 3

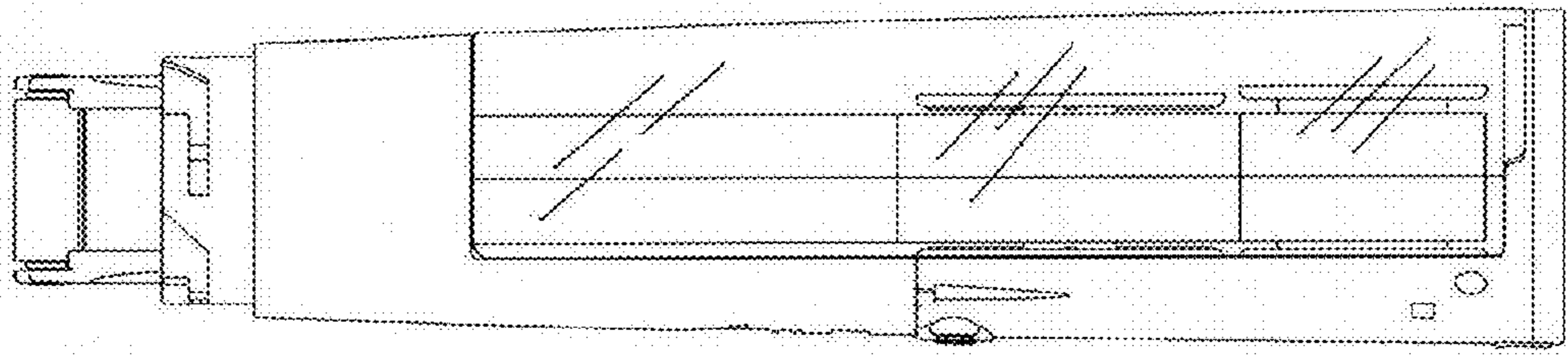


Fig. 4

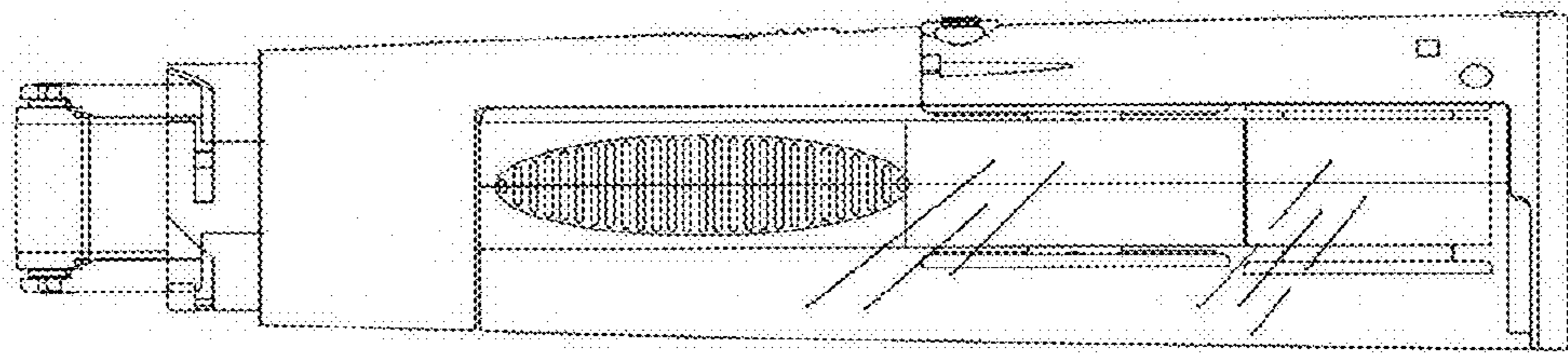


Fig. 5

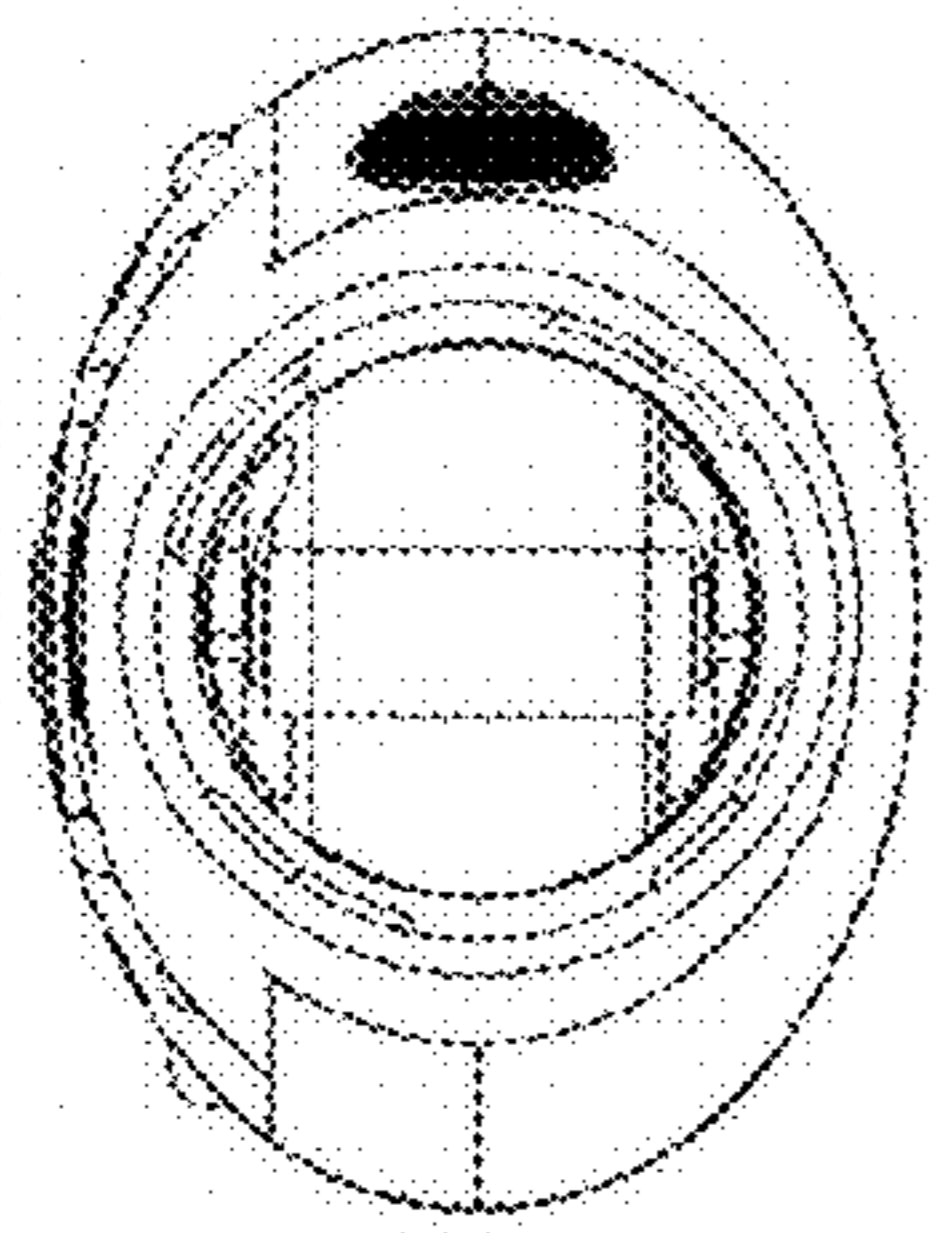


Fig. 6

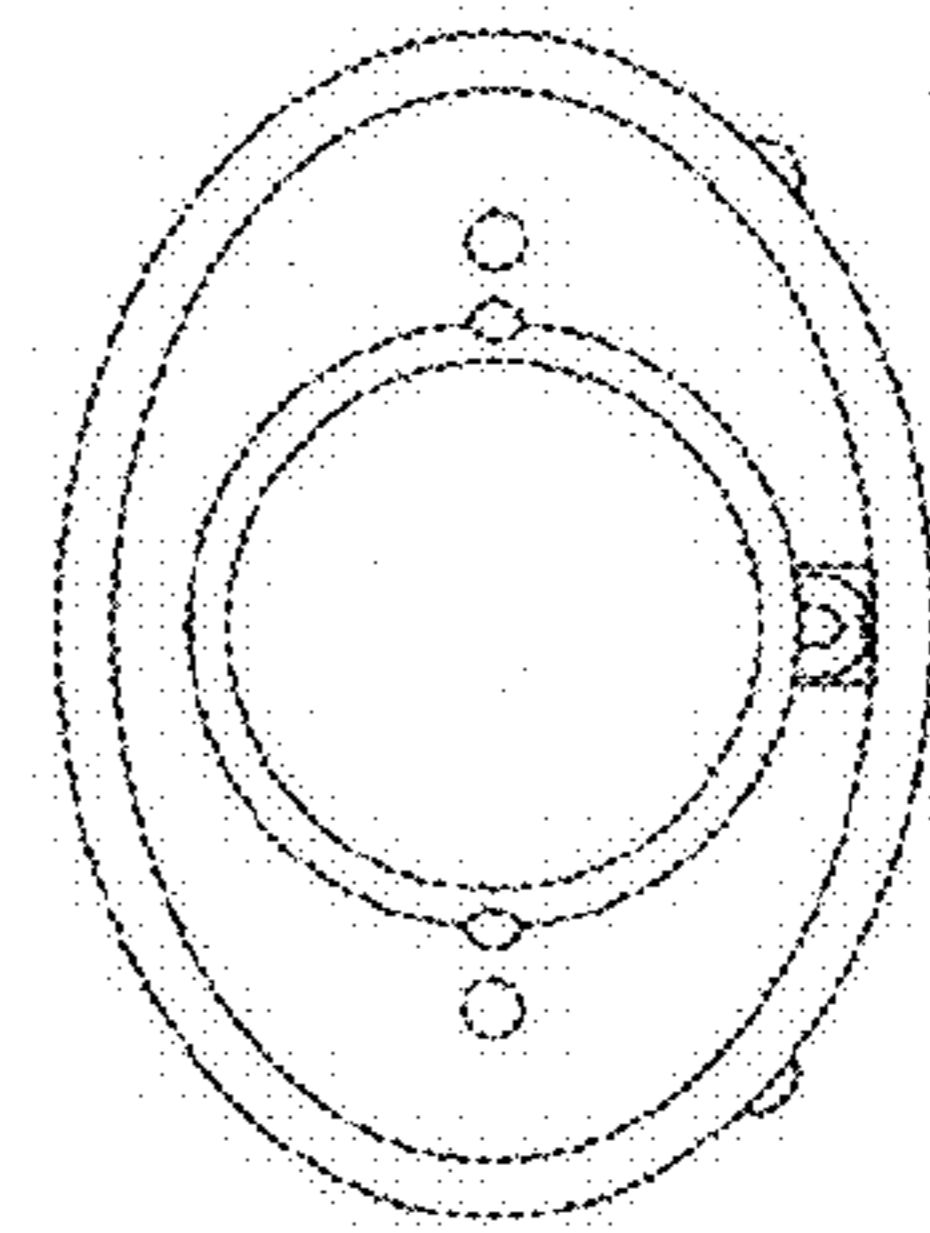


Fig. 7