



US00D649591S

(12) **United States Design Patent**
Lee

(10) **Patent No.:** **US D649,591 S**

(45) **Date of Patent:** **** *Nov. 29, 2011**

(54) **WRAP ROLLER**

(76) Inventor: **Paul Anthony Lee**, Tracy, CA (US)

(*) Notice: This patent is subject to a terminal disclaimer.

(**) Term: **14 Years**

(21) Appl. No.: **29/375,764**

(22) Filed: **Sep. 27, 2010**

(51) **LOC (9) Cl.** **19-02**

(52) **U.S. Cl.** **D19/67**

(58) **Field of Classification Search** D19/70,
D19/69, 36, 68, 67; 242/588.6, 588.2; 225/77,
225/6, 56, 39, 26, 25, 19, 11, 34; 206/411;
156/577, 527, 523; D8/359, 358; D14/483
See application file for complete search history.

(56) **References Cited**

U.S. PATENT DOCUMENTS

2,297,236	A	*	9/1942	Nadai et al.	474/122
2,805,290	A	*	9/1957	Wentsel	191/12.4
D193,415	S	*	8/1962	Waltz	D19/99
D247,442	S	*	3/1978	Hiraishi et al.	D22/140
4,083,621	A	*	4/1978	Davidson et al.	439/501
D317,113	S	*	5/1991	Fowler	D8/358
D330,506	S	*	10/1992	Clivio	D8/359
D334,882	S	*	4/1993	Bunch	D8/359
D342,942	S	*	1/1994	Kotaki	D14/483

D349,039	S	*	7/1994	Goodman et al.	D8/359
D365,012	S	*	12/1995	Sather	D8/359
D374,894	S	*	10/1996	Towns et al.	D19/69
D390,449	S	*	2/1998	Whitehead et al.	D8/359
D400,083	S	*	10/1998	Bodine	D8/359
D422,197	S	*	4/2000	Kovacik et al.	D8/359
D424,552	S	*	5/2000	Mochizuki	D14/484
D483,248	S	*	12/2003	Roman	D8/359
D518,361	S	*	4/2006	Jassenoff	D8/358

* cited by examiner

Primary Examiner — Austin Murphy

(74) *Attorney, Agent, or Firm* — Sinorica, LLC

(57) **CLAIM**

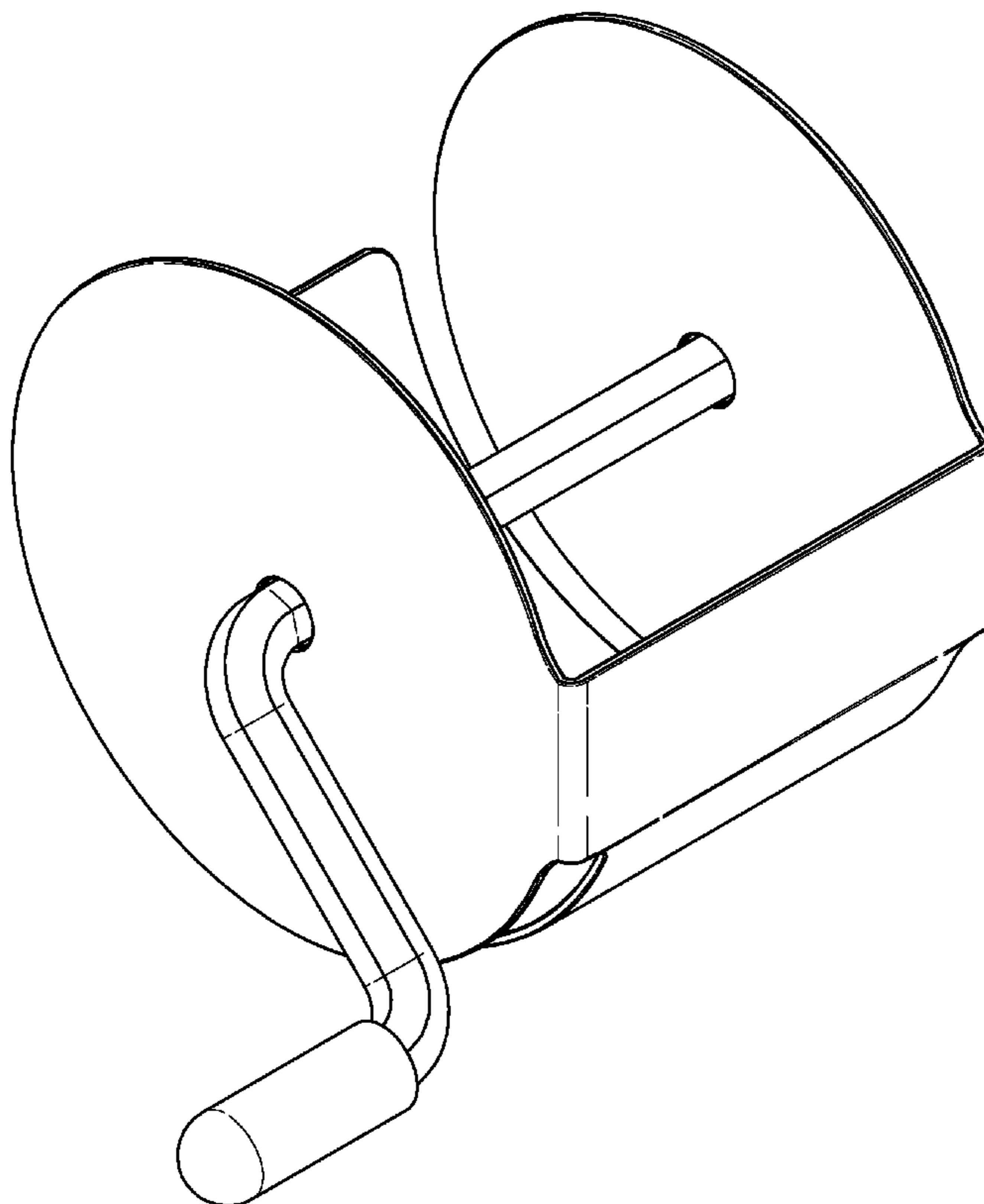
The ornamental design of a wrap roller, as shown and described.

DESCRIPTION

FIG. 1 is a perspective view of a wrap roller;
FIG. 2 is a front elevational view thereof;
FIG. 3 is a rear elevational view thereof;
FIG. 4 is a right-side elevational view thereof;
FIG. 5 is a left-side elevational view thereof;
FIG. 6 is a top plan view thereof;
FIG. 7 is a bottom plan view thereof; and,
FIG. 8 is a perspective view thereof showing a wrap in the wrap roller.

The broken line showing of a wrap roller is for the purpose of illustrating environmental structure and forms no part of the claimed design.

1 Claim, 8 Drawing Sheets



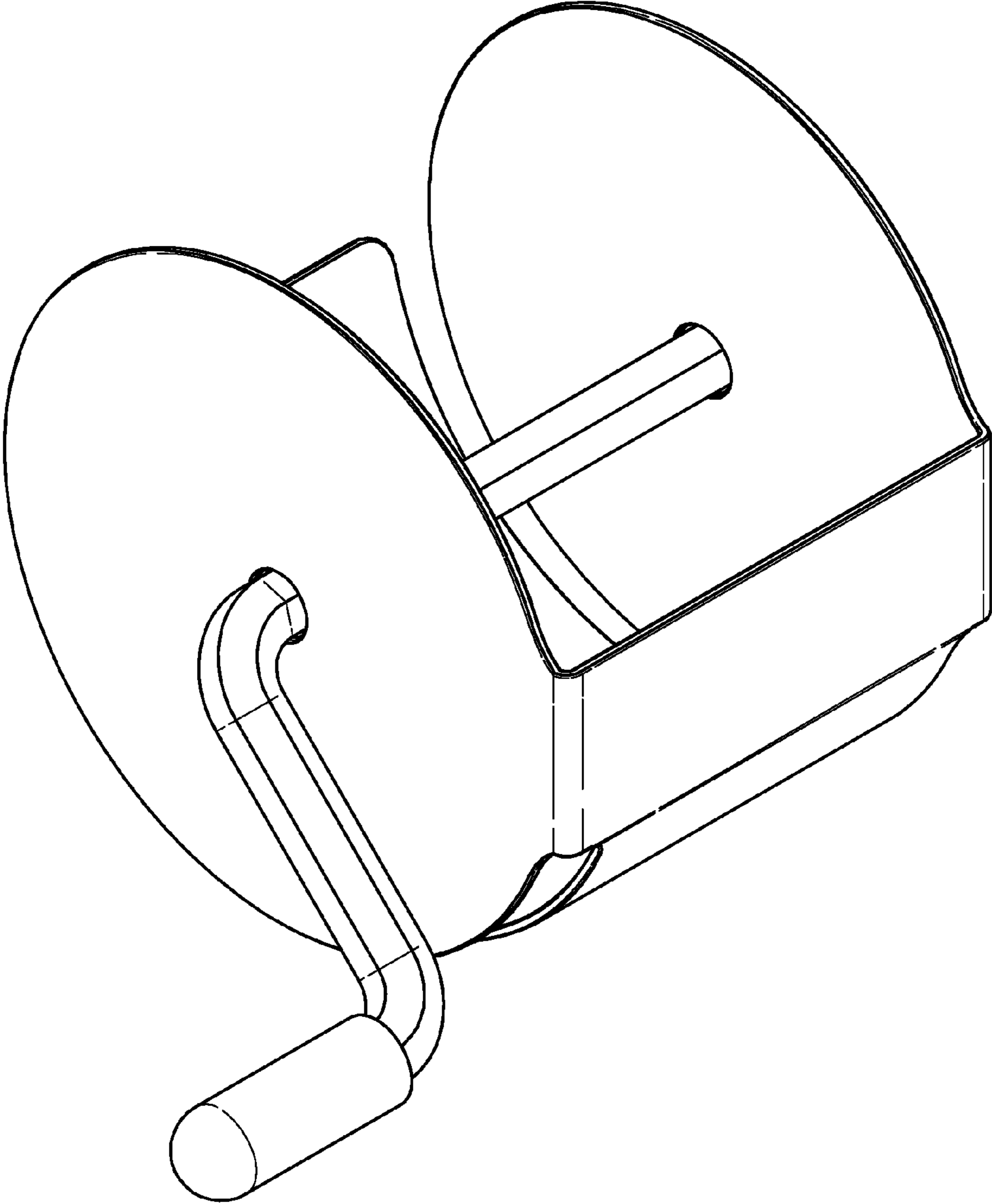


FIG. 1

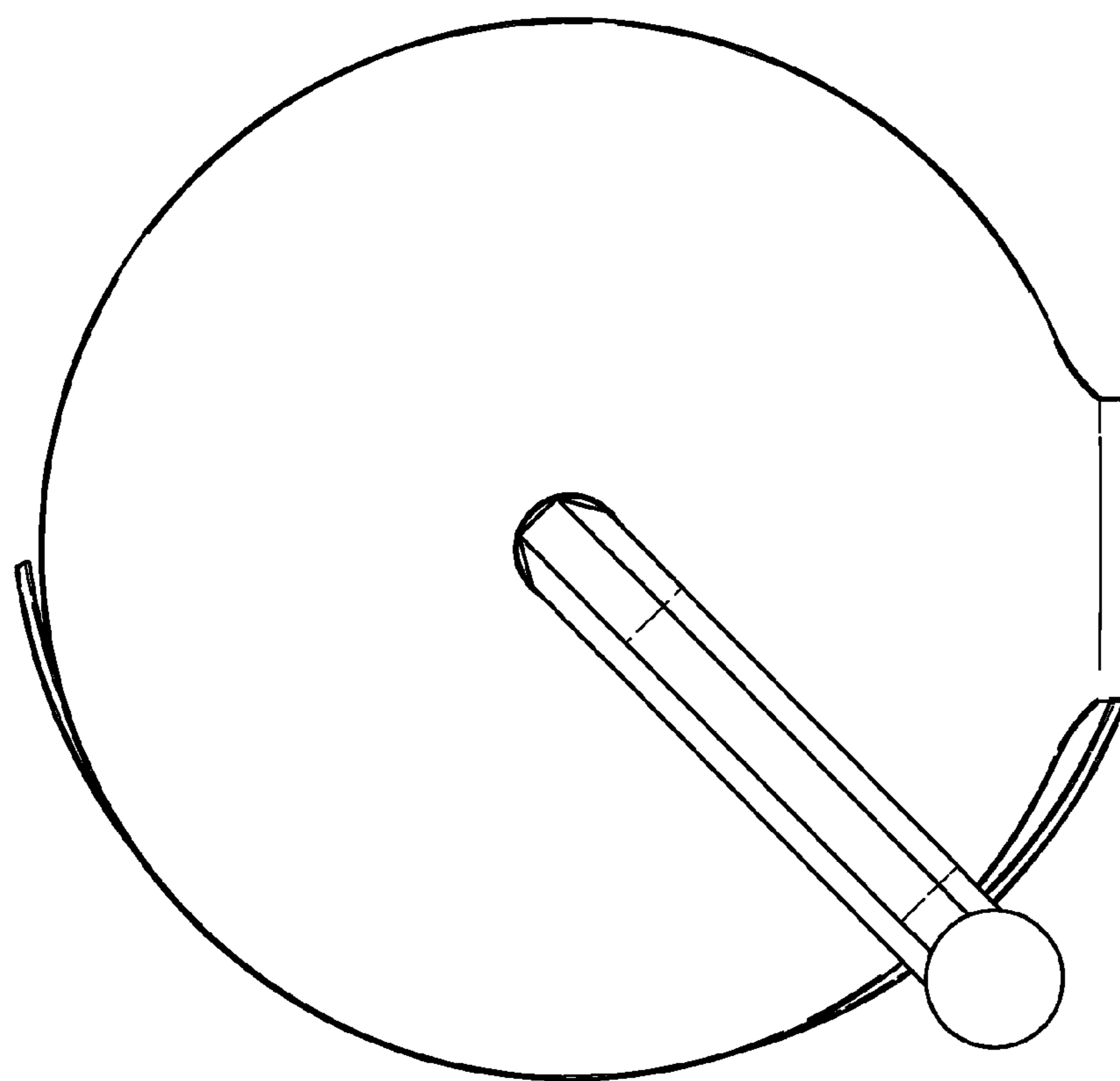


FIG. 2

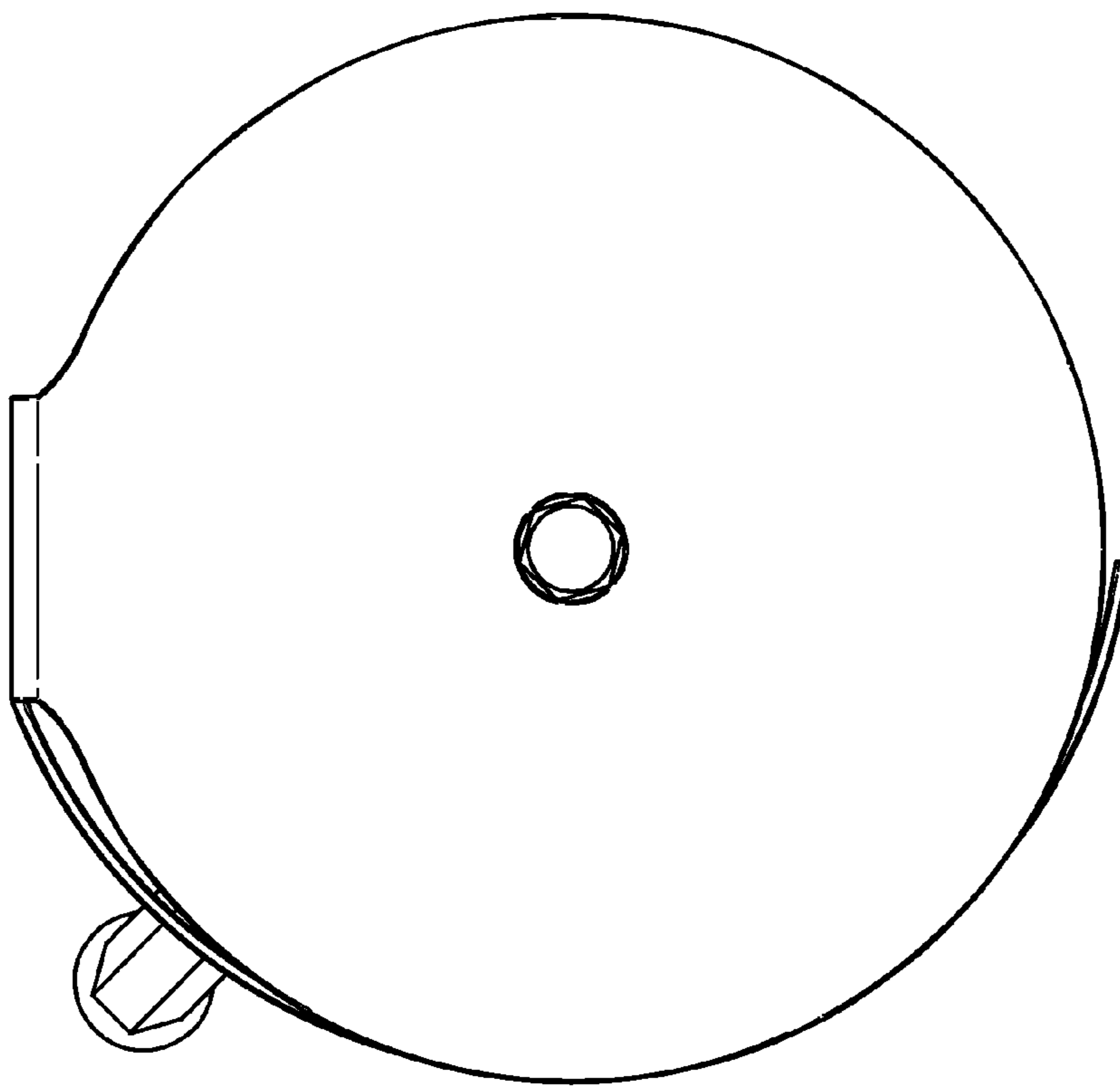


FIG. 3

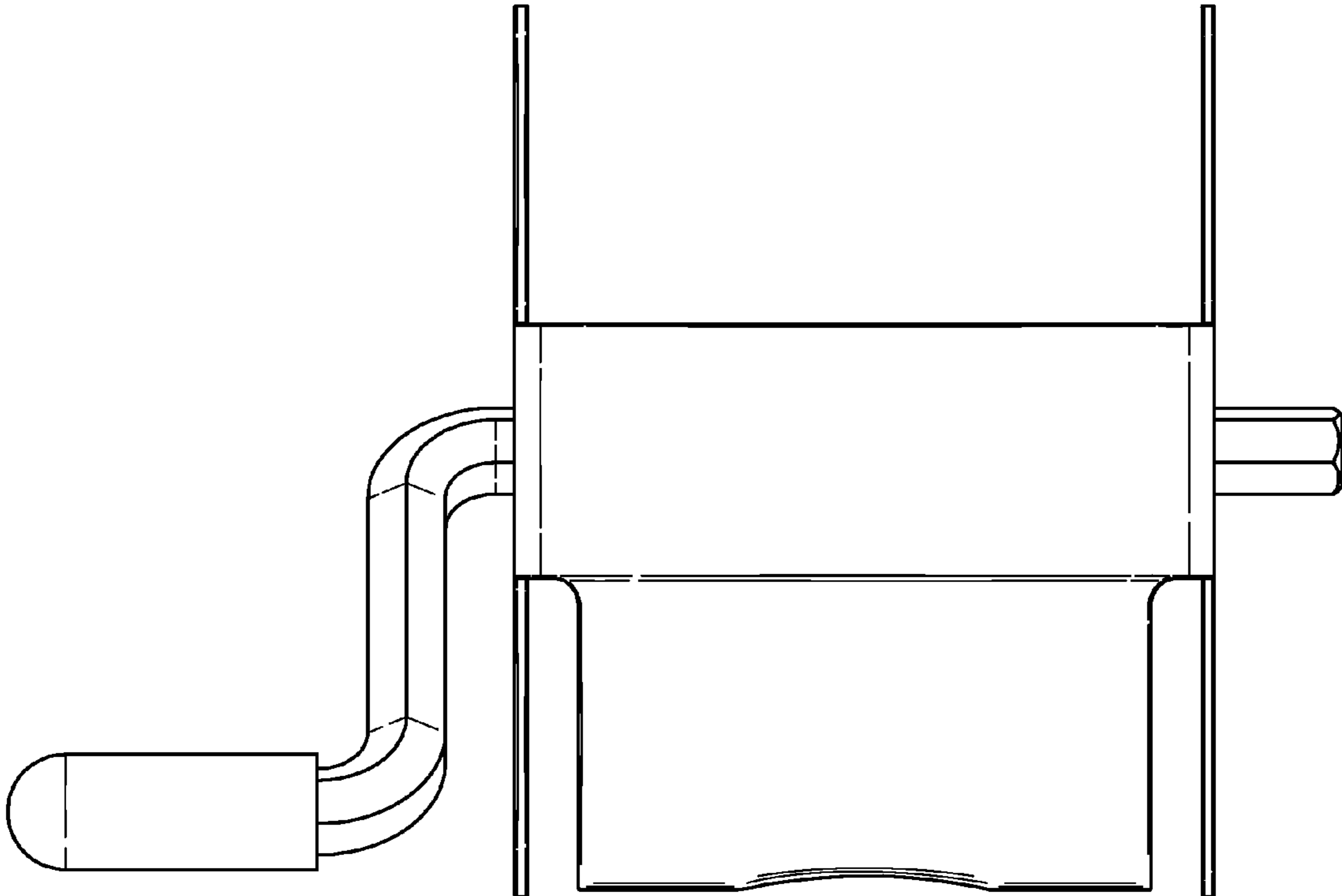


FIG. 4

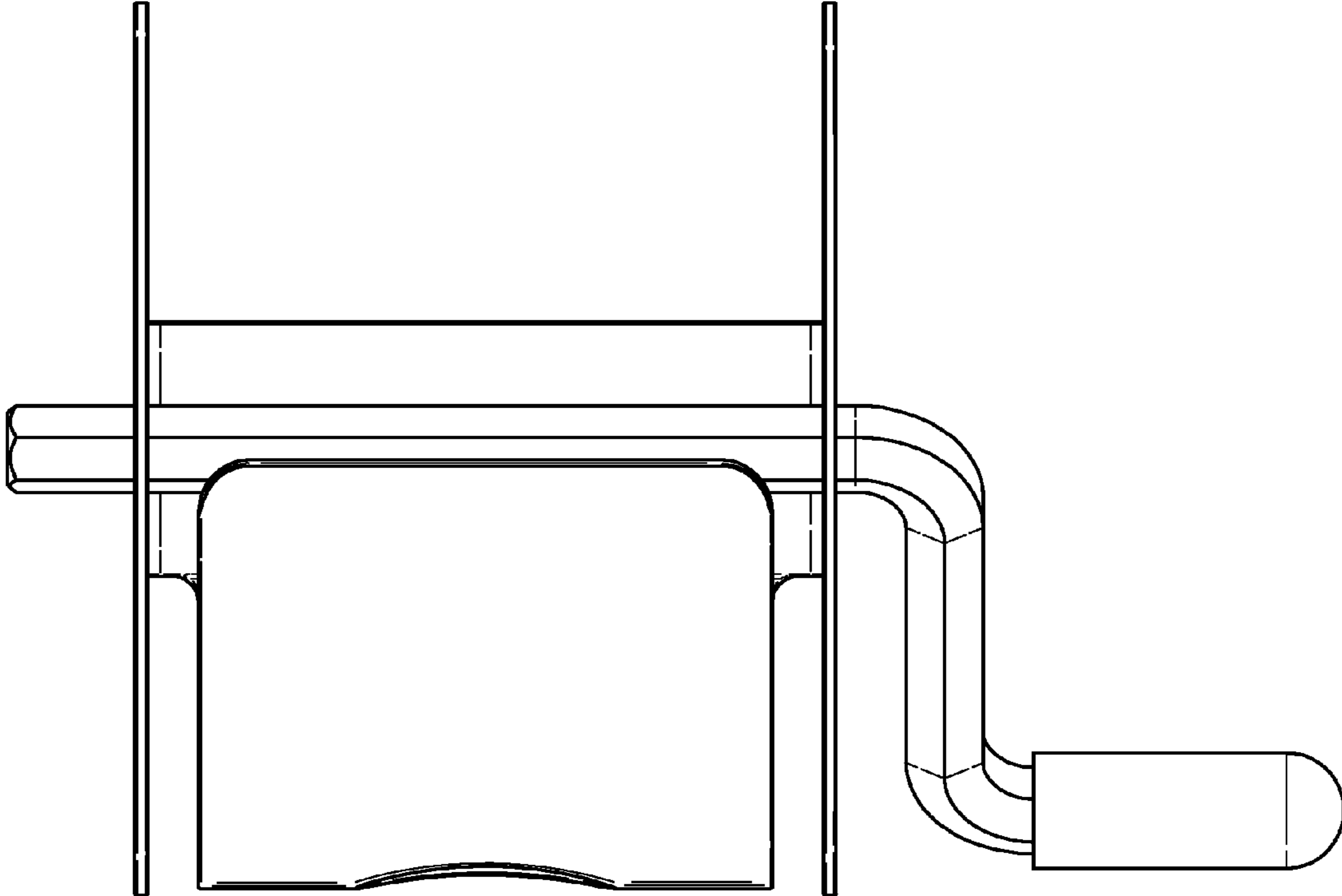


FIG. 5

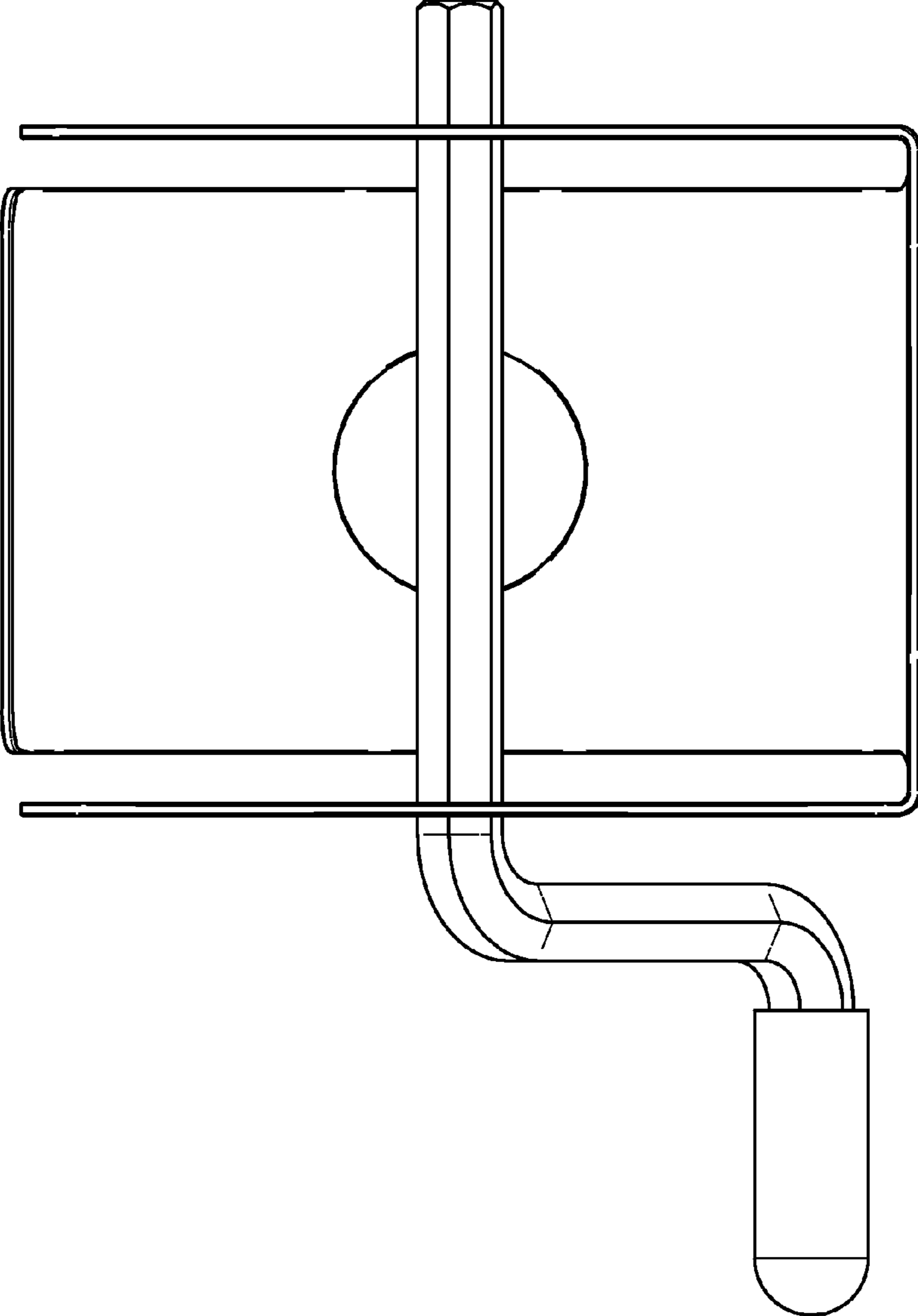


FIG. 6

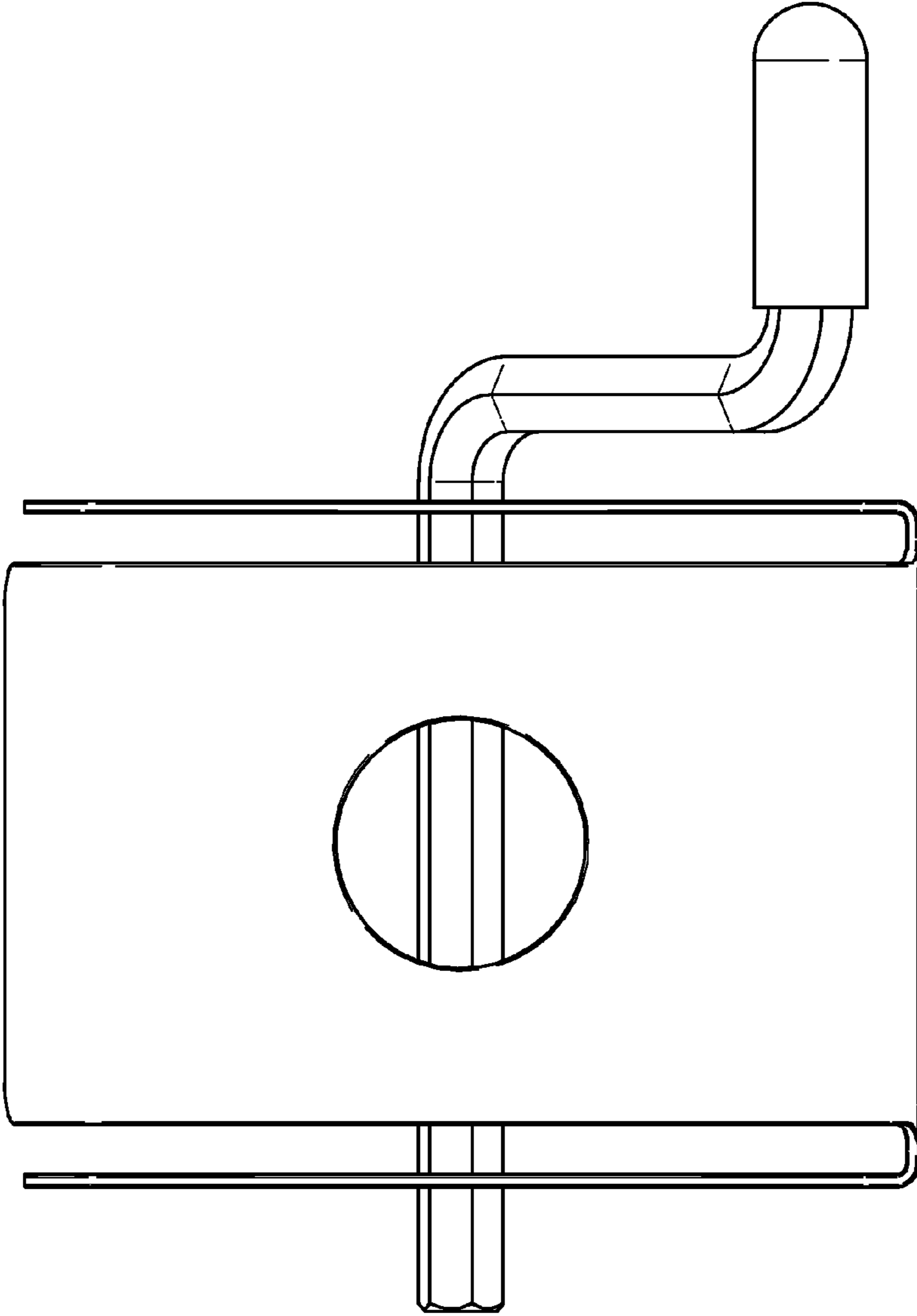


FIG. 7

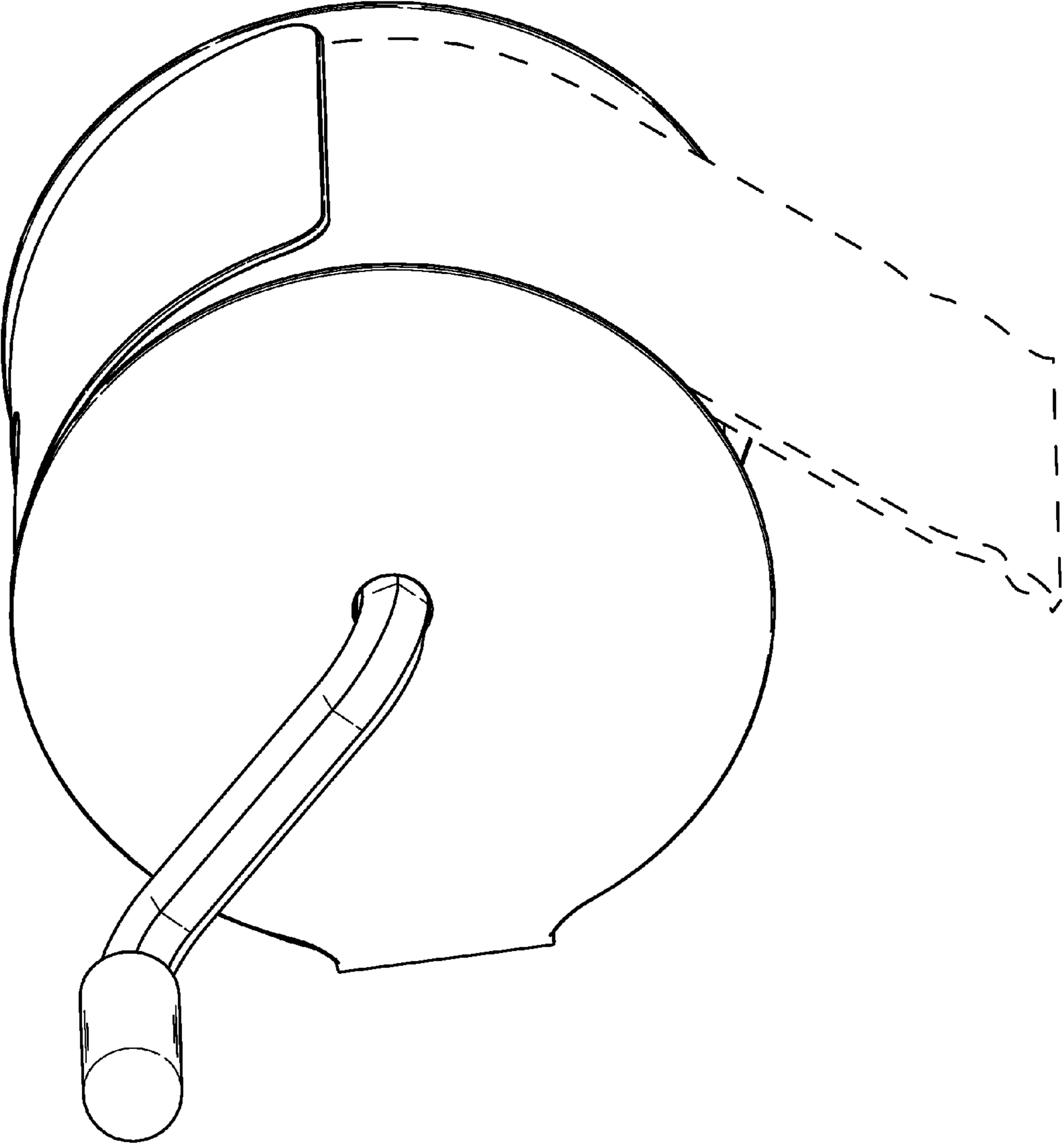


FIG. 8