



US00D649589S

(12) **United States Design Patent**
Clegg et al.

(10) **Patent No.:** **US D649,589 S**

(45) **Date of Patent:** **** Nov. 29, 2011**

(54) **VIDEO INSERT**

(75) Inventors: **Timothy P. Clegg**, Manhattan Beach, CA (US); **Michael D. Ronk**, Lawndale, CA (US)

(73) Assignee: **Americhip, Inc.**, Los Angeles, CA (US)

(**) Term: **14 Years**

(21) Appl. No.: **29/397,900**

(22) Filed: **Jul. 22, 2011**

Related U.S. Application Data

(60) Division of application No. 29/385,685, filed on Feb. 17, 2011, now Pat. No. Des. 643,060, which is a continuation of application No. 29/368,492, filed on Aug. 24, 2010, which is a continuation of application No. 29/363,762, filed on Jun. 14, 2010, now Pat. No. Des. 629,459, which is a continuation of application No. 12/413,343, filed on Mar. 27, 2009, now Pat. No. 8,011,122, which is a continuation of application No. 12/263,277, filed on Oct. 31, 2008, which is a continuation of application No. 12/199,740, filed on Aug. 27, 2008, now abandoned.

(51) **LOC (9) Cl.** **19-01**

(52) **U.S. Cl.** **D19/1**

(58) **Field of Classification Search** D19/1-12; 40/124.01-124.15, 372, 661, 726, 776, 617; 283/72, 74, 75, 103, 105, 106; 206/449; D21/385; D20/10, 22, 27, 40, 42; D14/371, D14/374, 435-437

See application file for complete search history.

(56) **References Cited**

U.S. PATENT DOCUMENTS

190,588 A 5/1877 Holding
(Continued)

OTHER PUBLICATIONS

International Search Report dated Sep. 1, 2009, issued in related PCT Application No. PCT/US2009/049579.

(Continued)

Primary Examiner — Caron D Veynar

Assistant Examiner — Abraham Bahta

(74) *Attorney, Agent, or Firm* — Jeffer Mangels; Butler & Mitchell LLP

(57)

CLAIM

The ornamental design for a video insert, as shown and described.

DESCRIPTION

FIG. 1 is a perspective view of an embodiment of the present invention;

FIG. 2 is a top plan view of the present invention shown in FIG. 1;

FIG. 3 is a left side elevational view of the present invention shown in FIG. 1;

FIG. 4 is a right side elevational view of the present invention shown in FIG. 1;

FIG. 5 is a bottom plan view of the present invention shown in FIG. 1;

FIG. 6 is a top elevational view of the present invention shown in FIG. 1;

FIG. 7 is a bottom elevational view of the present invention shown in FIG. 1;

FIG. 8 is a perspective view of a second embodiment of the present invention;

FIG. 9 is a top plan view of the present invention shown in FIG. 8;

FIG. 10 is a left side elevational view of the present invention shown in FIG. 8;

FIG. 11 is a right side elevational view of the present invention shown in FIG. 8;

FIG. 12 is a bottom plan view of the present invention shown in FIG. 8;

FIG. 13 is a top elevational view of the present invention shown in FIG. 8;

FIG. 14 is a bottom elevational view of the present invention shown in FIG. 8;

FIG. 15 is a perspective view of a third embodiment of the present invention;

FIG. 16 is a top plan view of the present invention shown in FIG. 15;

FIG. 17 is a left side elevational view of the present invention shown in FIG. 15;

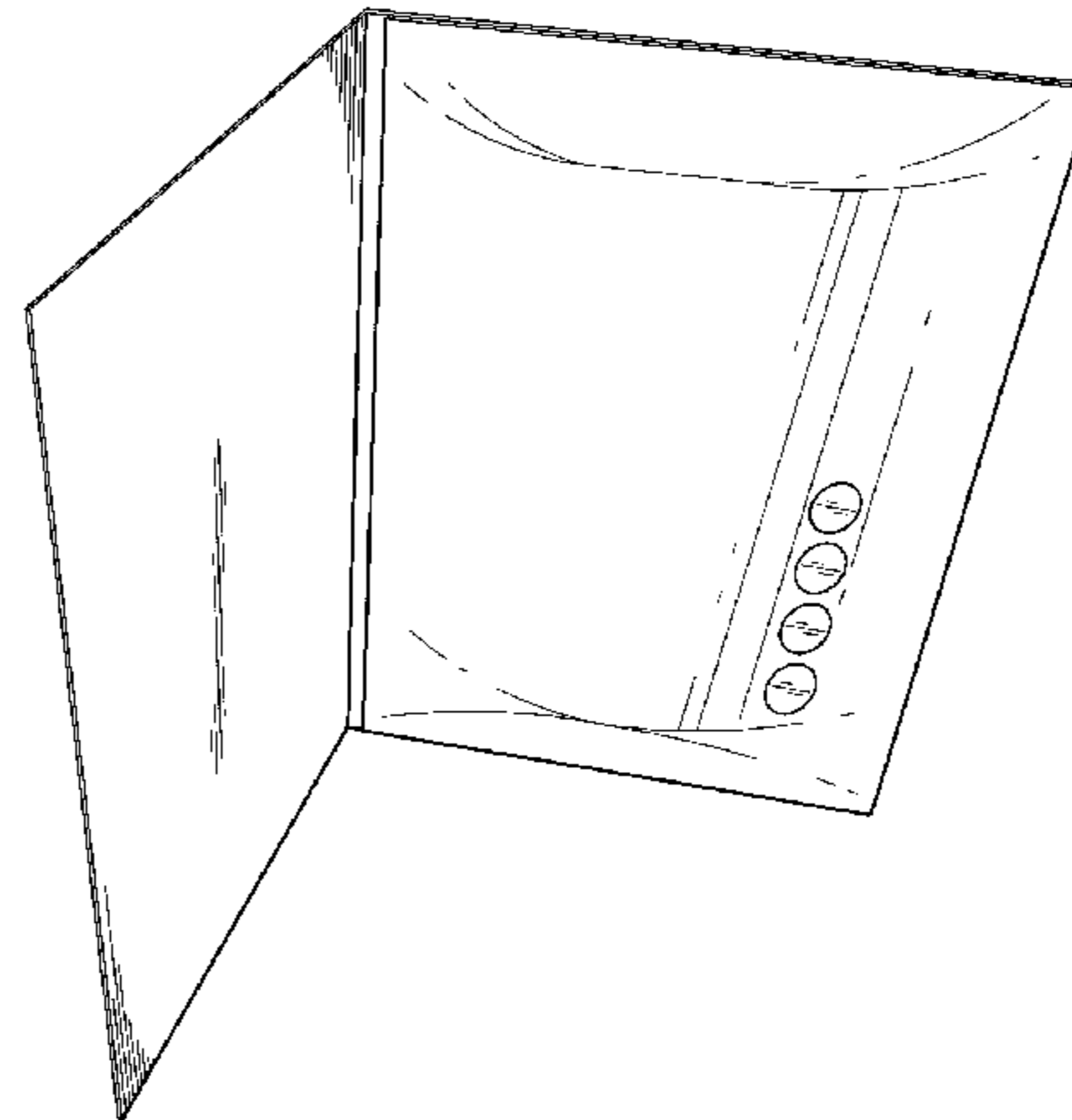
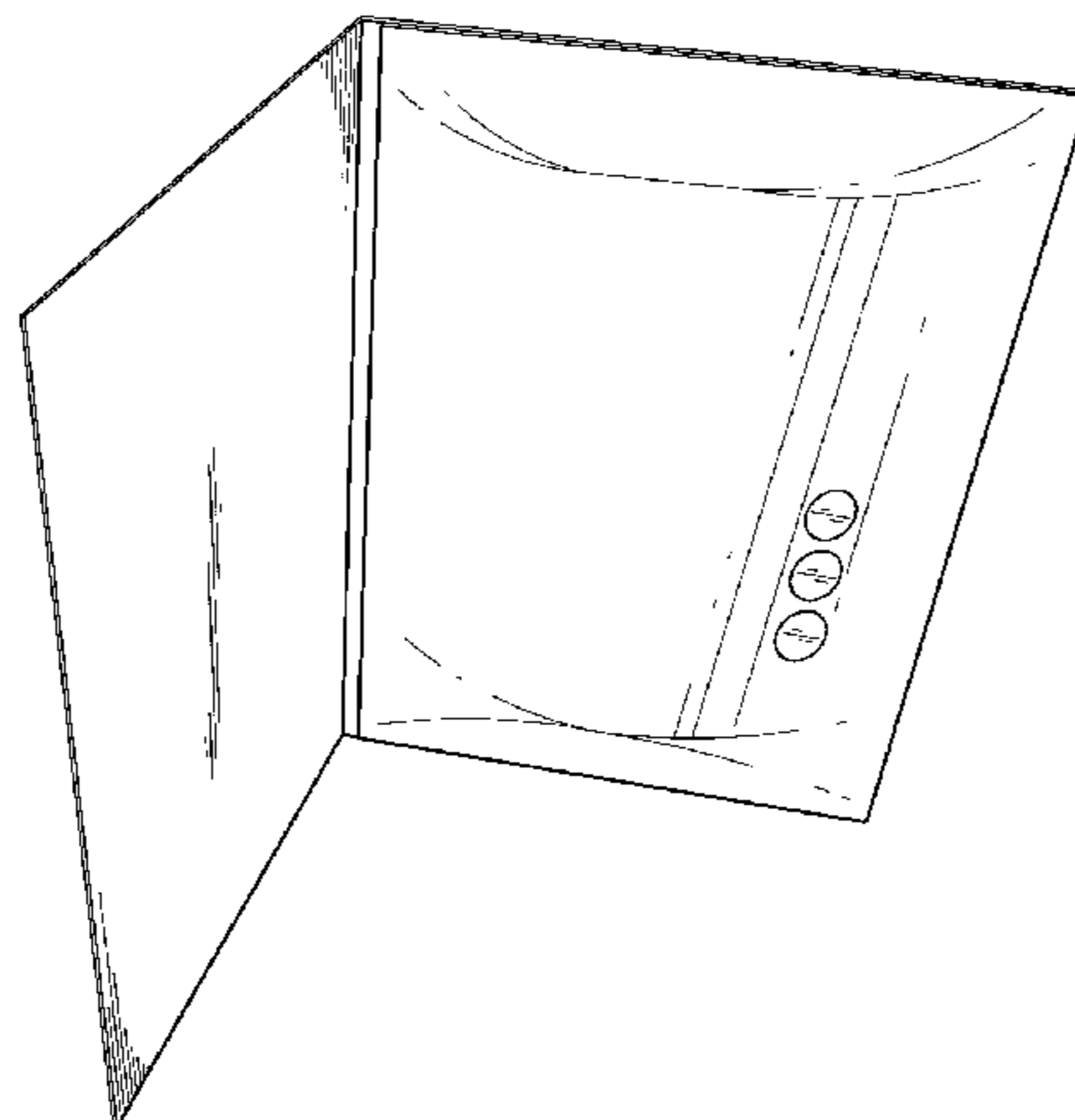
FIG. 18 is a right side elevational view of the present invention shown in FIG. 15;

FIG. 19 is a bottom plan view of the present invention shown in FIG. 15;

FIG. 20 is a top elevational view of the present invention shown in FIG. 15; and,

FIG. 21 is a bottom elevational view of the present invention shown in FIG. 15.

1 Claim, 18 Drawing Sheets



U.S. PATENT DOCUMENTS

1,141,172	A	6/1915	Clark	
2,107,450	A	2/1938	Miller	
2,298,601	A	5/1940	Tremblett	
2,367,967	A	11/1942	Schwartz	
2,543,670	A	2/1951	Regensburg	
4,209,824	A	6/1980	Kaufman	
4,231,034	A	10/1980	Bechteler	
4,286,399	A	9/1981	Funahashi et al.	
4,433,783	A	2/1984	Dickinson	
4,607,747	A	8/1986	Steiner	
4,611,262	A	9/1986	Galloway et al.	
4,614,266	A	9/1986	Moorhead	
4,656,469	A	4/1987	Oliver	
4,703,573	A	11/1987	Montgomery et al.	
4,791,741	A	12/1988	Kondo	
4,847,124	A	7/1989	Lux nee Andrieux	
4,855,725	A	8/1989	Fernandez	
4,866,865	A	9/1989	Yang	
5,063,698	A	11/1991	Johnson et al.	
5,230,501	A	7/1993	Melton	
5,245,171	A	9/1993	Fox et al.	
5,275,285	A	1/1994	Clegg	
5,416,310	A	5/1995	Little	
5,419,705	A	5/1995	Sandvik	
5,452,269	A	9/1995	Cherdak	
5,463,725	A	10/1995	Henckel	
5,520,544	A	5/1996	Manico et al.	
5,534,888	A	7/1996	Lebby et al.	
5,577,918	A	11/1996	Crowell	
5,652,606	A	7/1997	Sasaki et al.	
5,761,836	A	6/1998	Dawson	
5,778,574	A	7/1998	Reuben	
5,815,954	A	10/1998	Huang	
5,845,218	A	12/1998	Altschul	
5,860,065	A	1/1999	Hsu	
5,901,484	A	5/1999	Seder	
5,912,653	A	6/1999	Fitch	
6,030,089	A	2/2000	Parker	
6,064,855	A	5/2000	Ho	
6,104,306	A	8/2000	Hogue et al.	
6,126,201	A	10/2000	Pace et al.	
D441,591	S *	5/2001	Drew D6/626	
6,226,959	B1	5/2001	Krasuski et al.	
6,279,170	B1	8/2001	Chu	
6,286,873	B1	9/2001	Seder	
6,369,793	B1	4/2002	Parker	
6,445,347	B1	9/2002	Yoshimi	
6,525,706	B1	2/2003	Rehkemper et al.	
6,573,880	B1	6/2003	Simoni	
6,591,523	B2	7/2003	Pines	
6,693,515	B2	2/2004	Clapper	
6,754,344	B2	6/2004	Kohli et al.	
D493,658	S *	8/2004	Hassett D6/626	
6,788,283	B1	9/2004	Blotky	
6,895,261	B1	5/2005	Palamides	
6,905,019	B2	6/2005	Lacomis	
6,985,135	B2	1/2006	Sugimoto	
7,058,163	B1	6/2006	Parekh et al.	
7,127,841	B1	10/2006	Weber	
7,151,541	B2	12/2006	Seder	
7,181,300	B2	2/2007	Robbins	
7,240,442	B2	7/2007	Clegg	

7,242,315	B2	7/2007	Affolter	
7,278,570	B2	10/2007	McGee et al.	
7,278,584	B1	10/2007	Gandel et al.	
7,331,132	B1	2/2008	Seder	
7,336,788	B1	2/2008	Hendricks	
7,356,950	B1	4/2008	Avery	
D569,902	S *	5/2008	Chang et al. D19/2	
7,367,564	B2	5/2008	Seig	
7,396,049	B2	7/2008	Nelson	
7,429,965	B2	9/2008	Weiner	
7,436,318	B2	10/2008	Affolter	
D580,973	S	11/2008	Turner et al.	
D583,409	S *	12/2008	Fagan D19/3	
D591,341	S	4/2009	Fagan	
7,634,864	B2	12/2009	Segan	
D608,825	S *	1/2010	Brett D19/3	
D616,929	S	6/2010	Krivanek et al.	
D621,872	S *	8/2010	Jordan D19/3	
7,802,386	B2	9/2010	Mandelbaum et al.	
D629,459	S *	12/2010	Clegg et al. D19/1	
2001/0040560	A1	11/2001	Amron	
2001/0043194	A1	11/2001	Amron	
2003/0182827	A1	10/2003	Youngdahl	
2004/0066915	A1	4/2004	Turner et al.	
2004/0150983	A1	8/2004	Sexton	
2004/0248073	A1	12/2004	Pinkerman et al.	
2005/0011776	A1	1/2005	Nagel	
2005/0108773	A1	5/2005	Jung et al.	
2005/0119023	A1	6/2005	Sudo et al.	
2005/0194434	A1	9/2005	Trent, Jr.	
2005/0270280	A1	12/2005	Riback	
2005/0271354	A1	12/2005	Yeh	
2006/0134591	A1	6/2006	Karat	
2007/0069883	A1	3/2007	Collier, Jr.	
2007/0171278	A1	7/2007	Chen	
2007/0215694	A1	9/2007	Clegg	
2008/0010871	A1	1/2008	Holmes	
2008/0289230	A1	11/2008	Mandelbaum et al.	
2009/0027566	A1	1/2009	Wargon	
2009/0211126	A1	8/2009	Oh	
2009/0238544	A1	9/2009	Orsini	
2010/0005377	A1	1/2010	Batan	
2010/0250255	A1	9/2010	Stern	

OTHER PUBLICATIONS

Office Action issued in corresponding U.S. Appl. No. 12/199,740, notification date Jun. 24, 2010.
 Response to Office Action filed in corresponding U.S. Appl. No. 12/199,740, filed Aug. 24, 2010.
 Office Action issued in corresponding U.S. Appl. No. 12/199,740, notification date Nov. 15, 2010.
 Office Action issued in corresponding U.S. Appl. No. 12/263,277, notification date Dec. 10, 2010.
 Office Action issued in corresponding U.S. Appl. No. 12/413,343, notification date Dec. 3, 2010.
 Response to Office Action in corresponding U.S. Appl. No. 12/413,343, filed May 4, 2011.
 Response to Office Action in corresponding U.S. Appl. No. 12/263,277, filed Jun. 10, 2011.

* cited by examiner

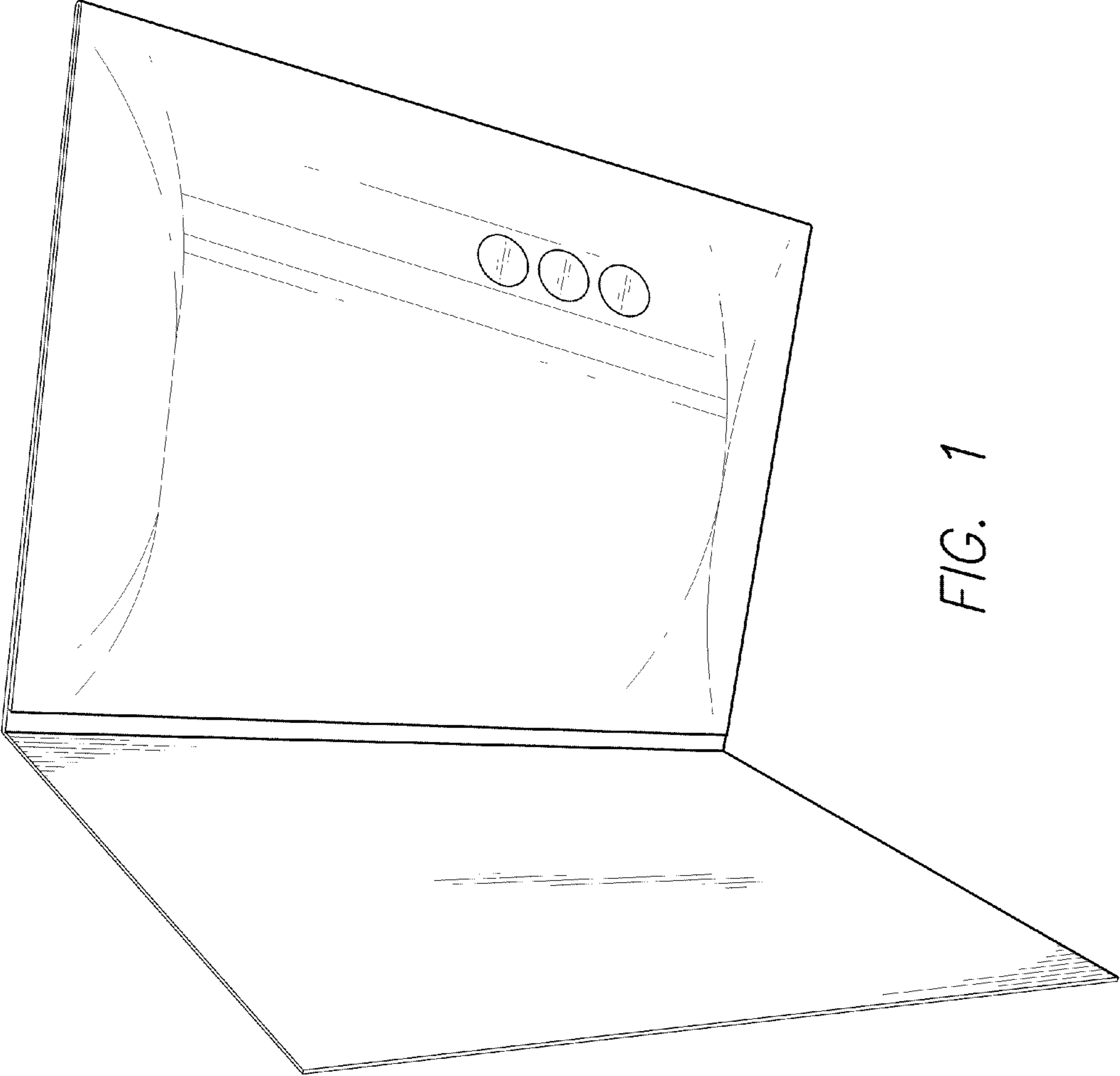


FIG. 1

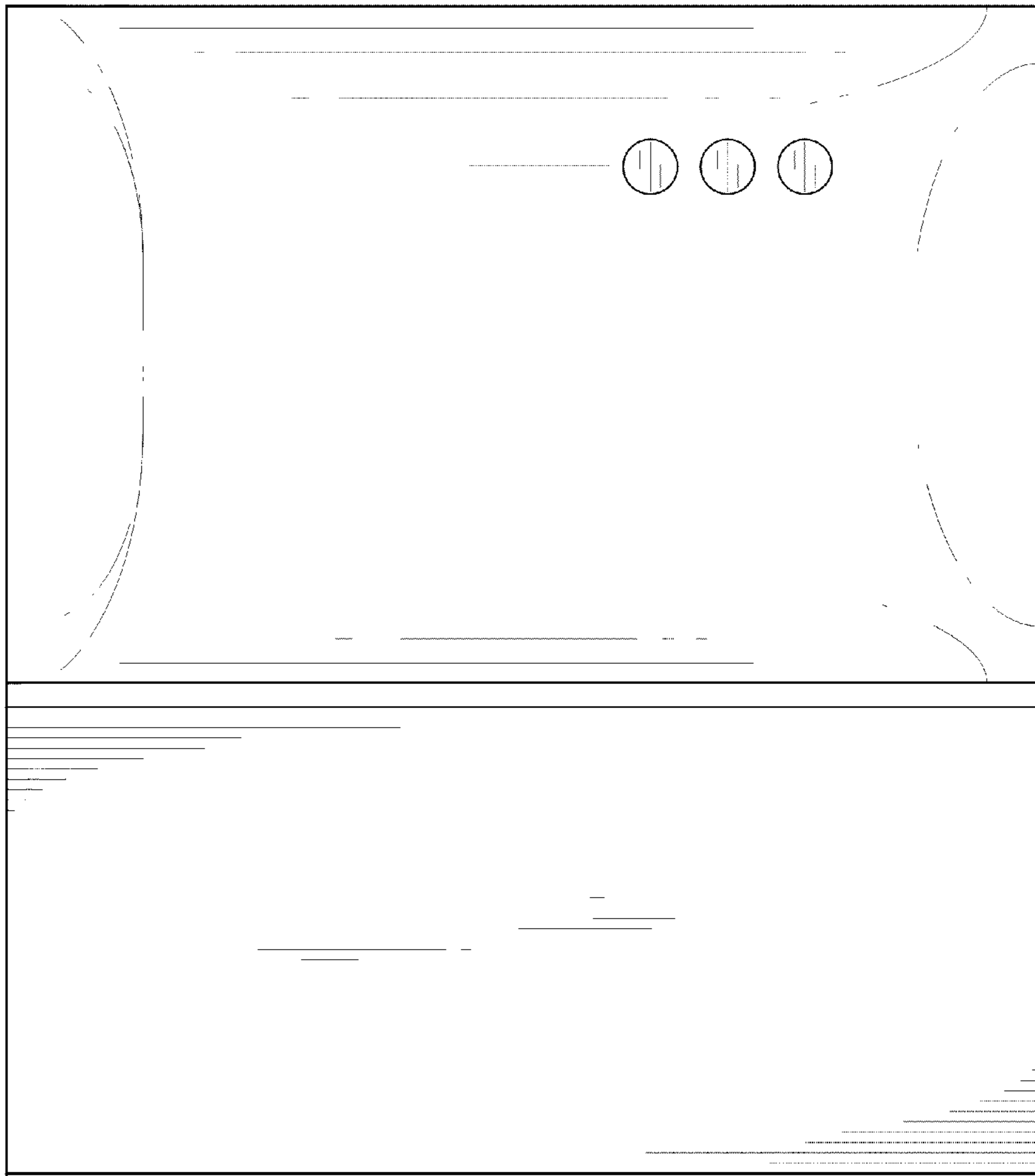


FIG. 2

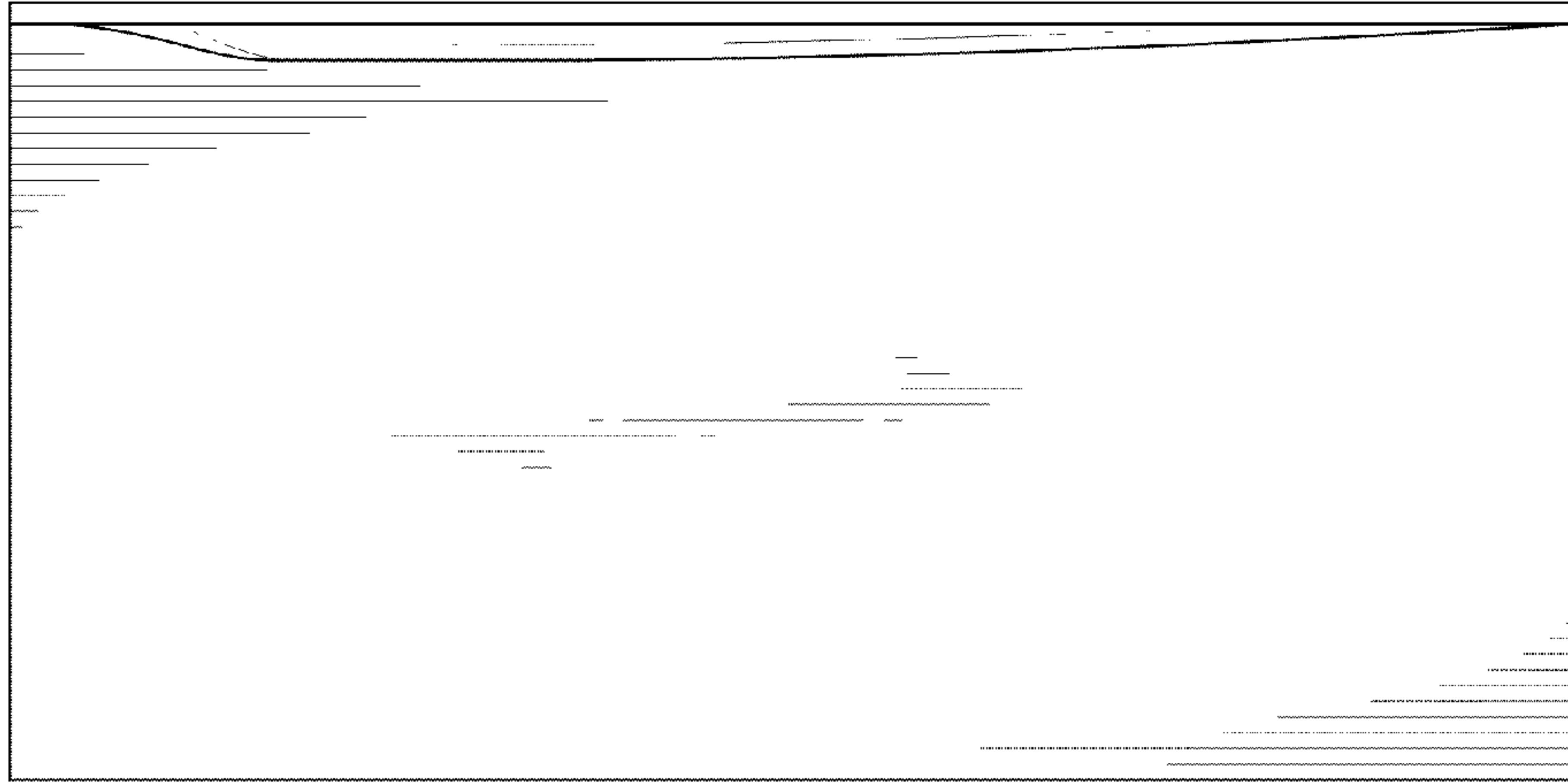


FIG. 4

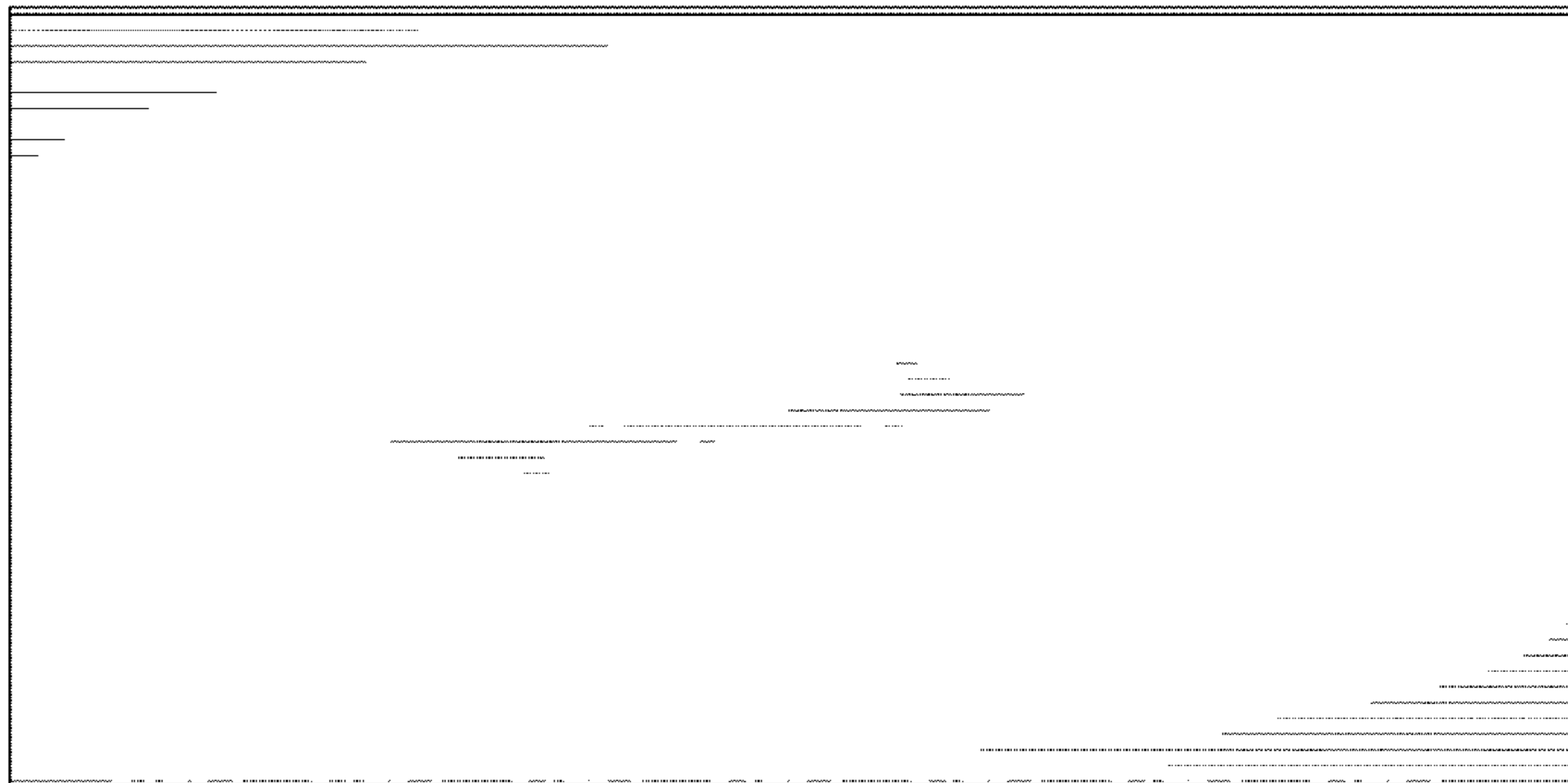


FIG. 3

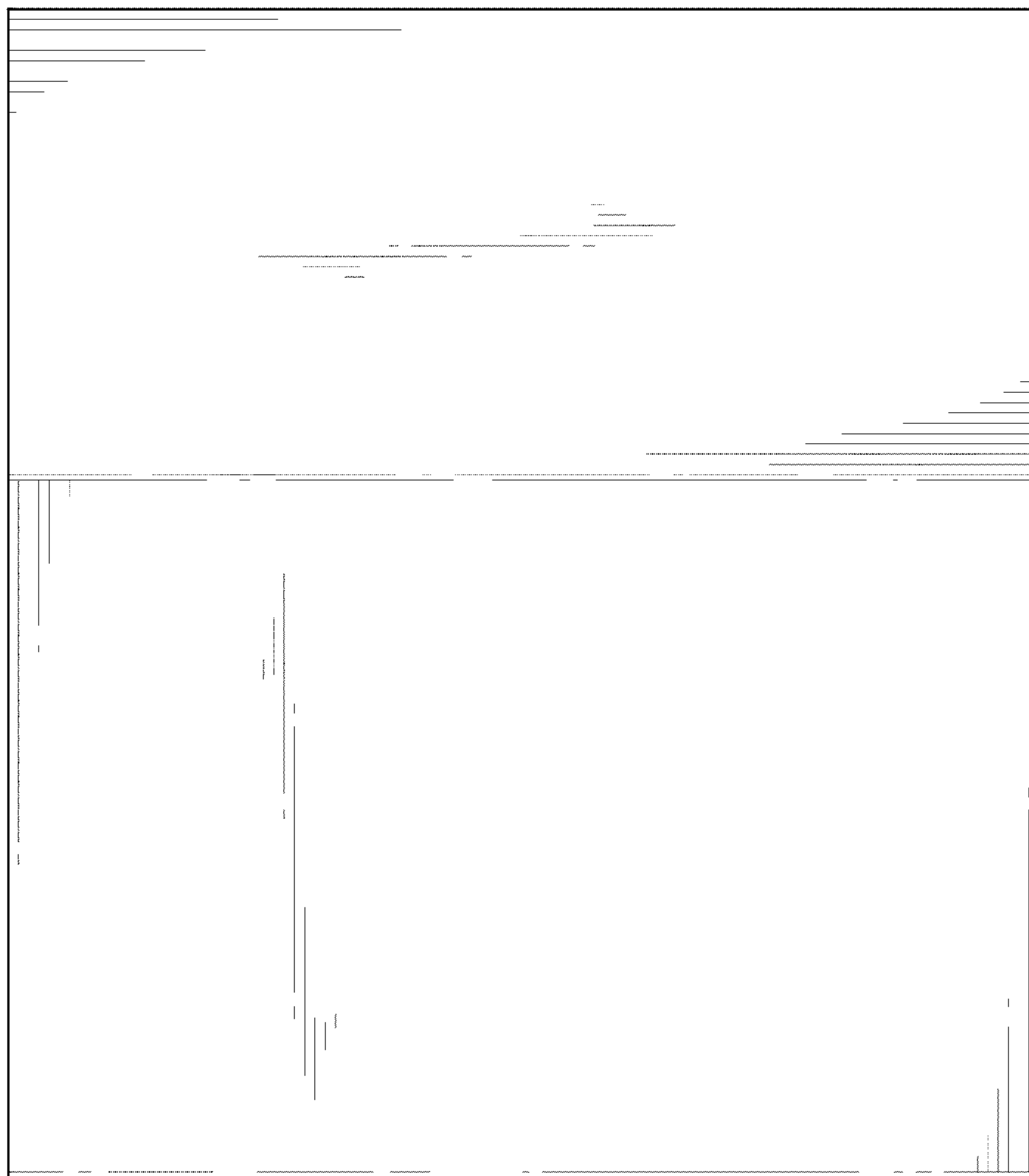


FIG. 5

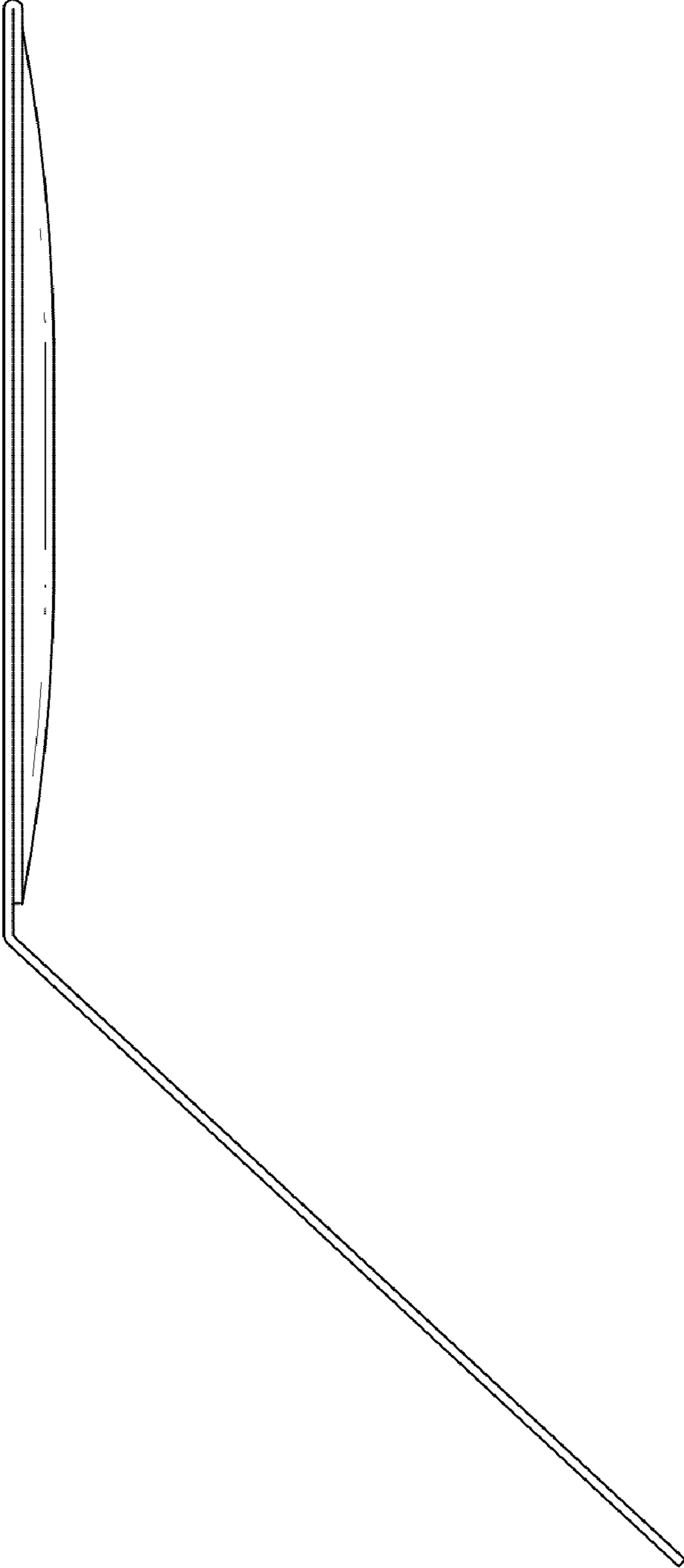


FIG. 6

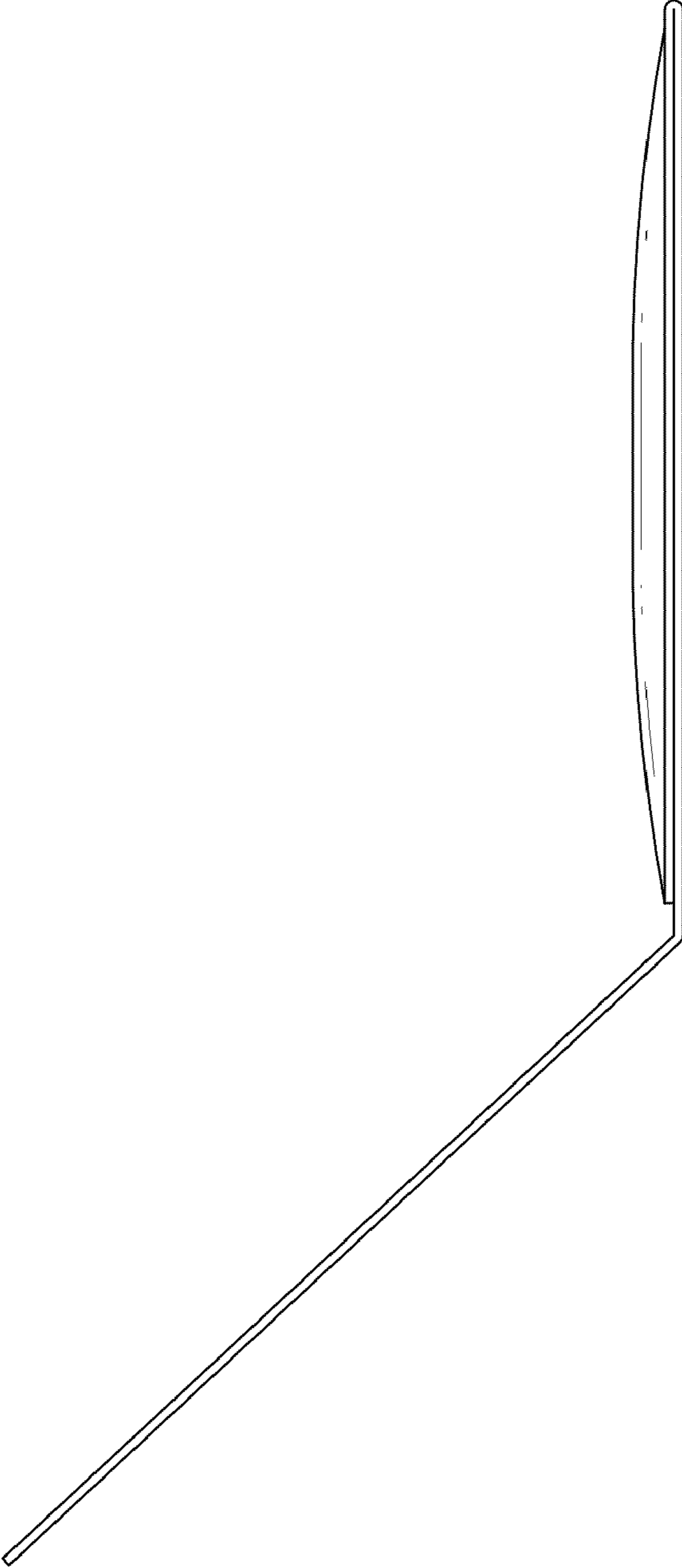


FIG. 7

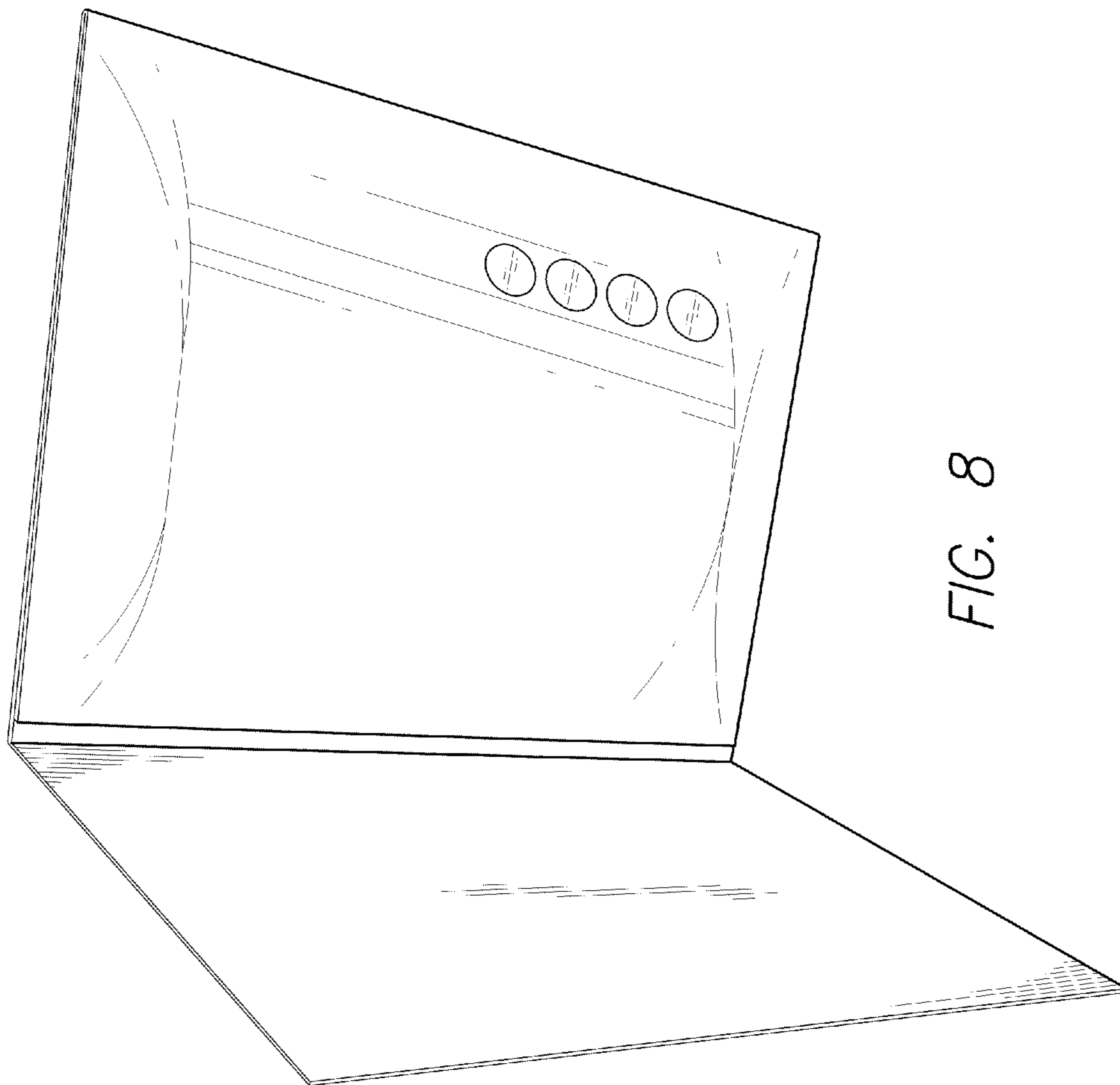


FIG. 8

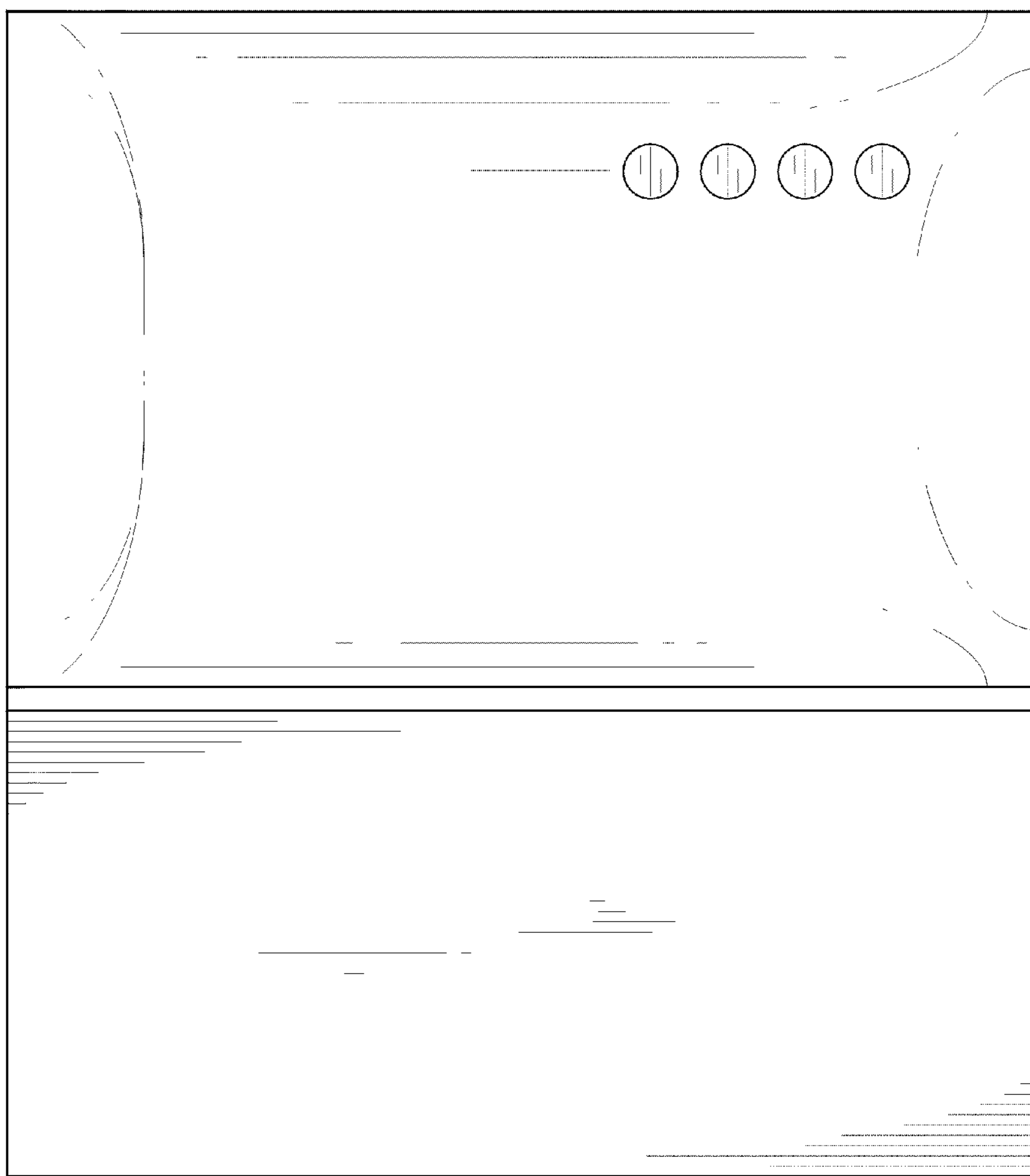


FIG. 9

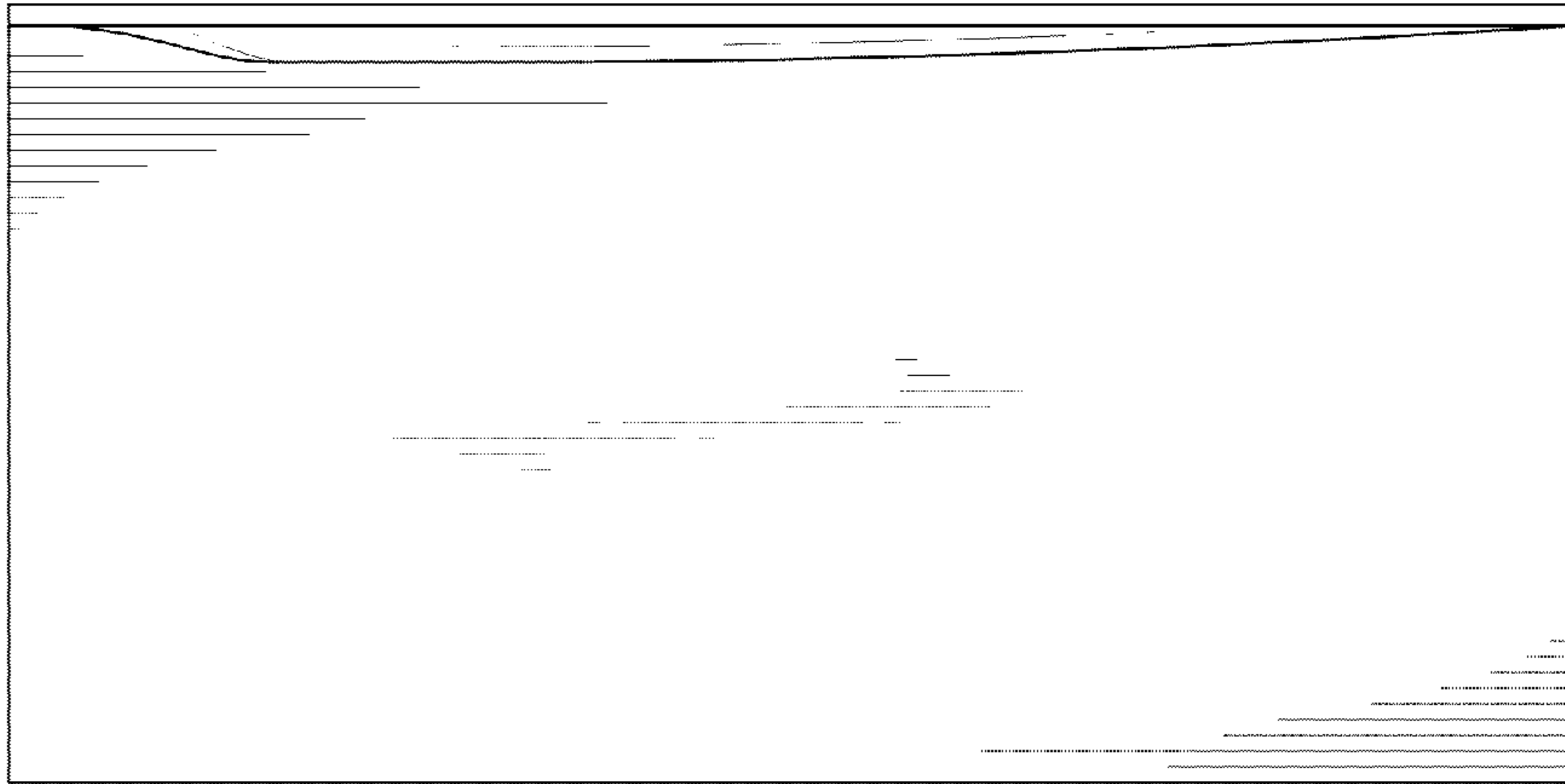


FIG. 11

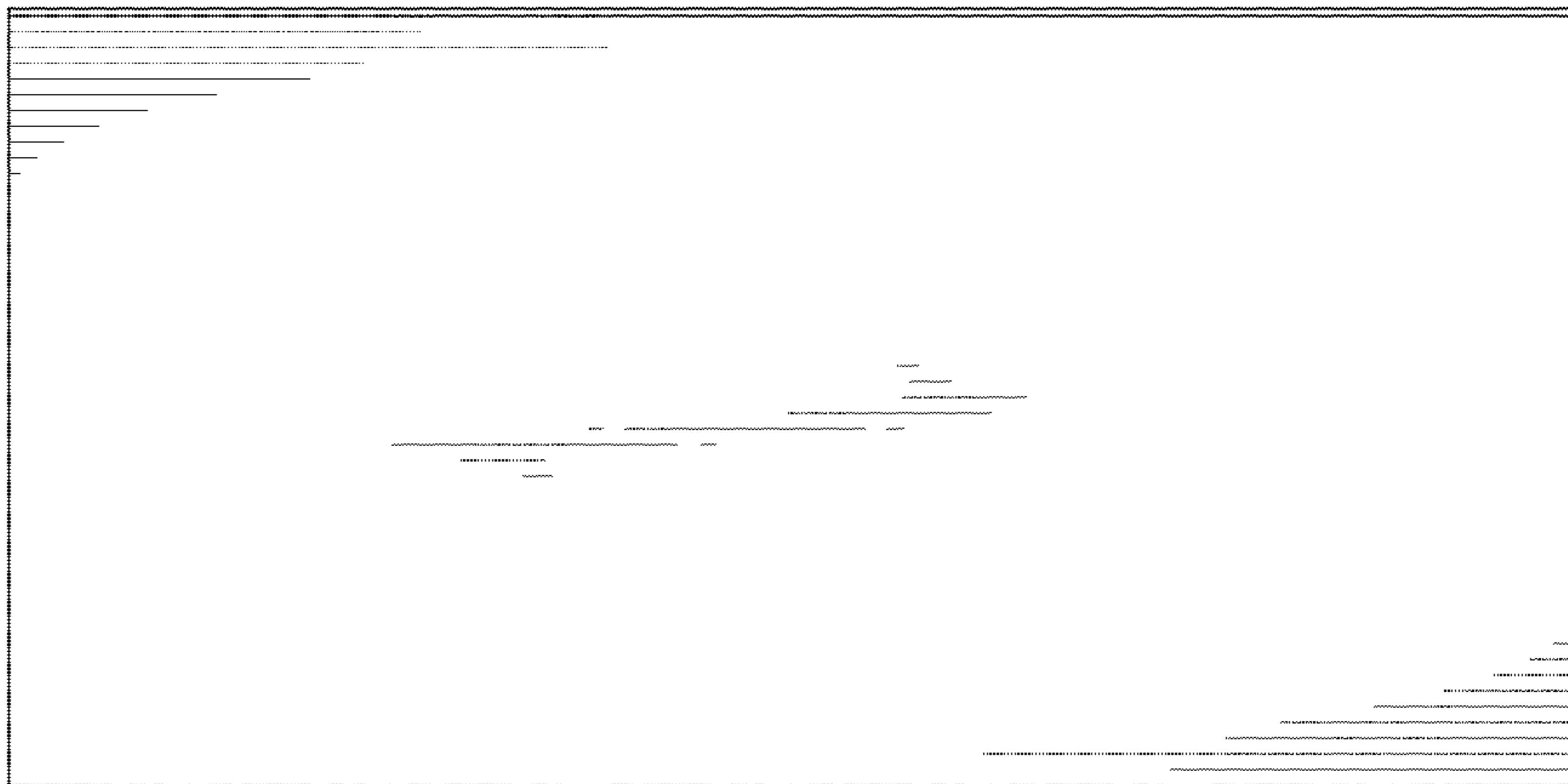


FIG. 10

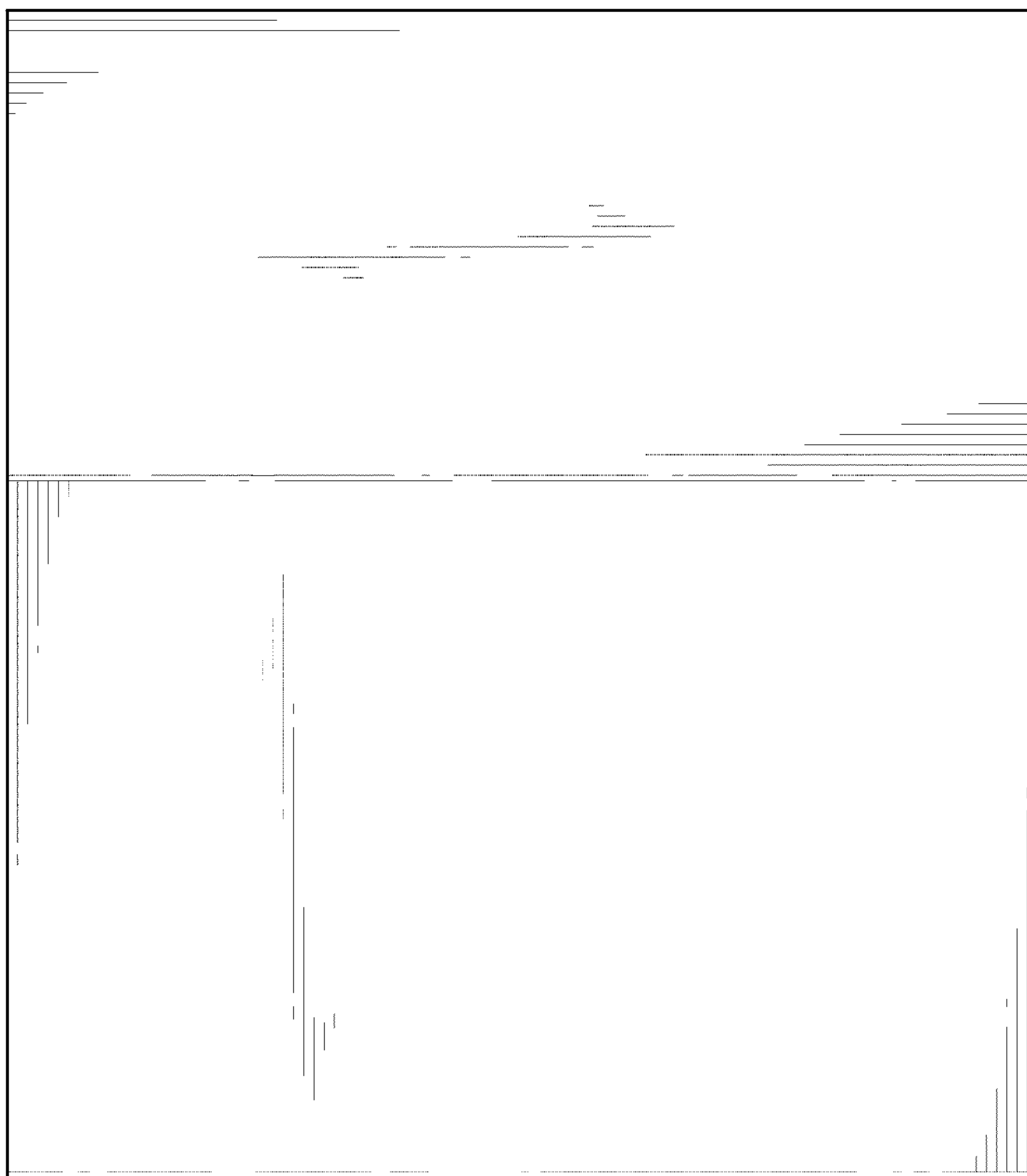


FIG. 12

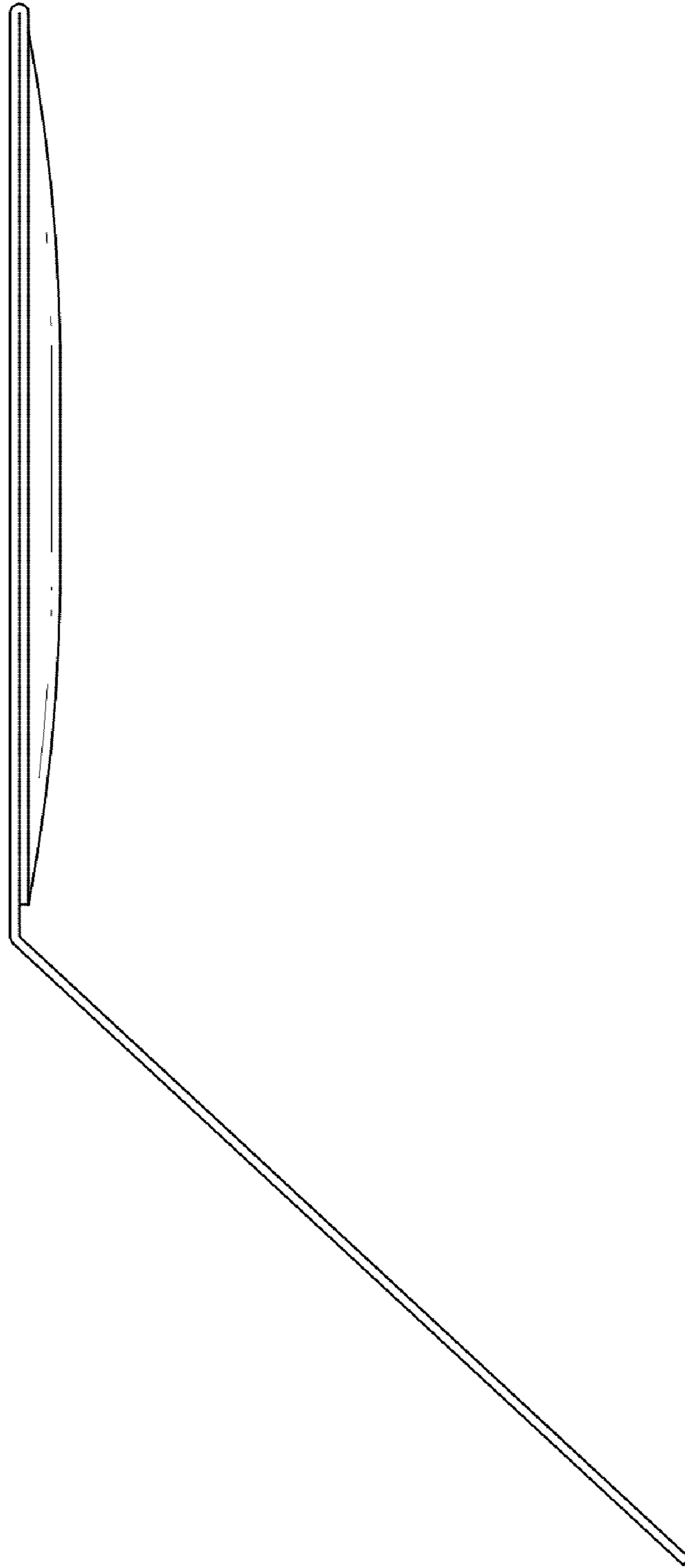


FIG. 13

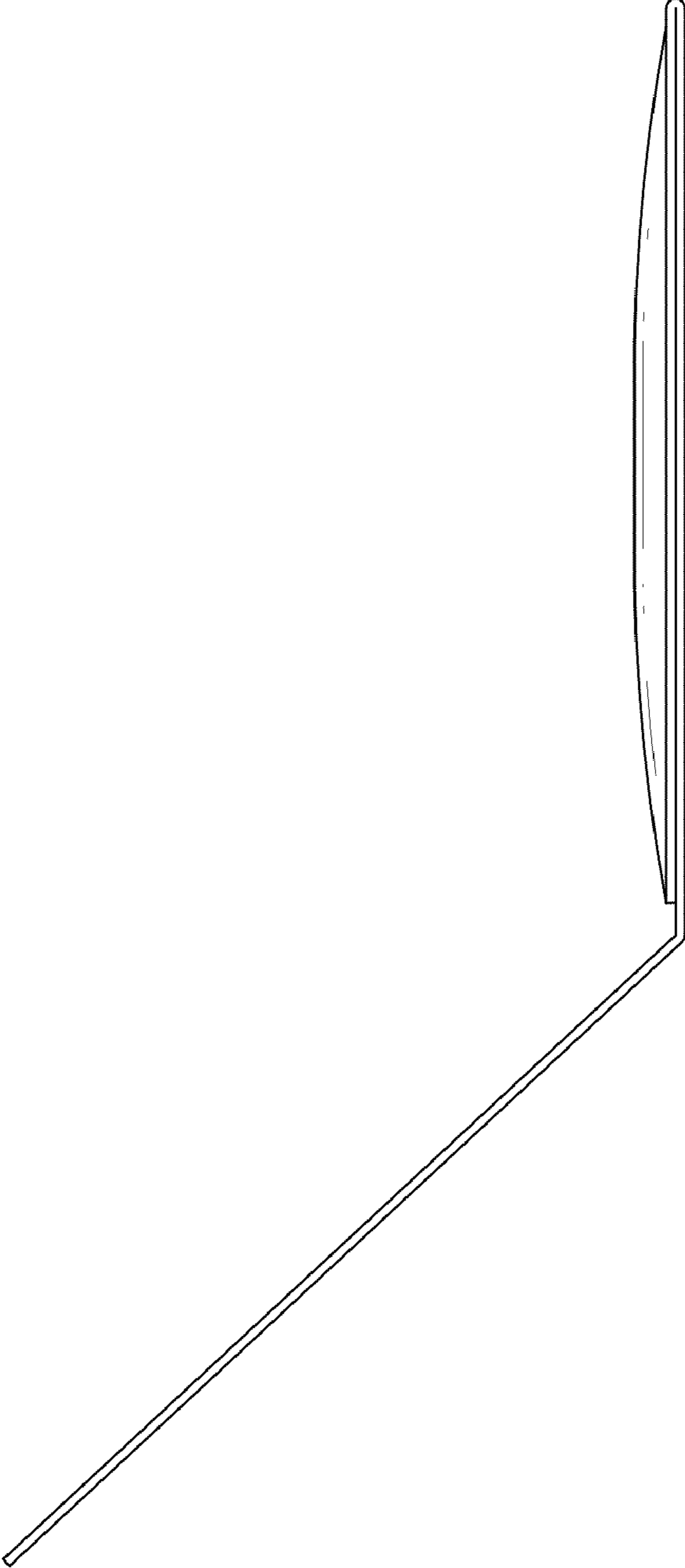


FIG. 14

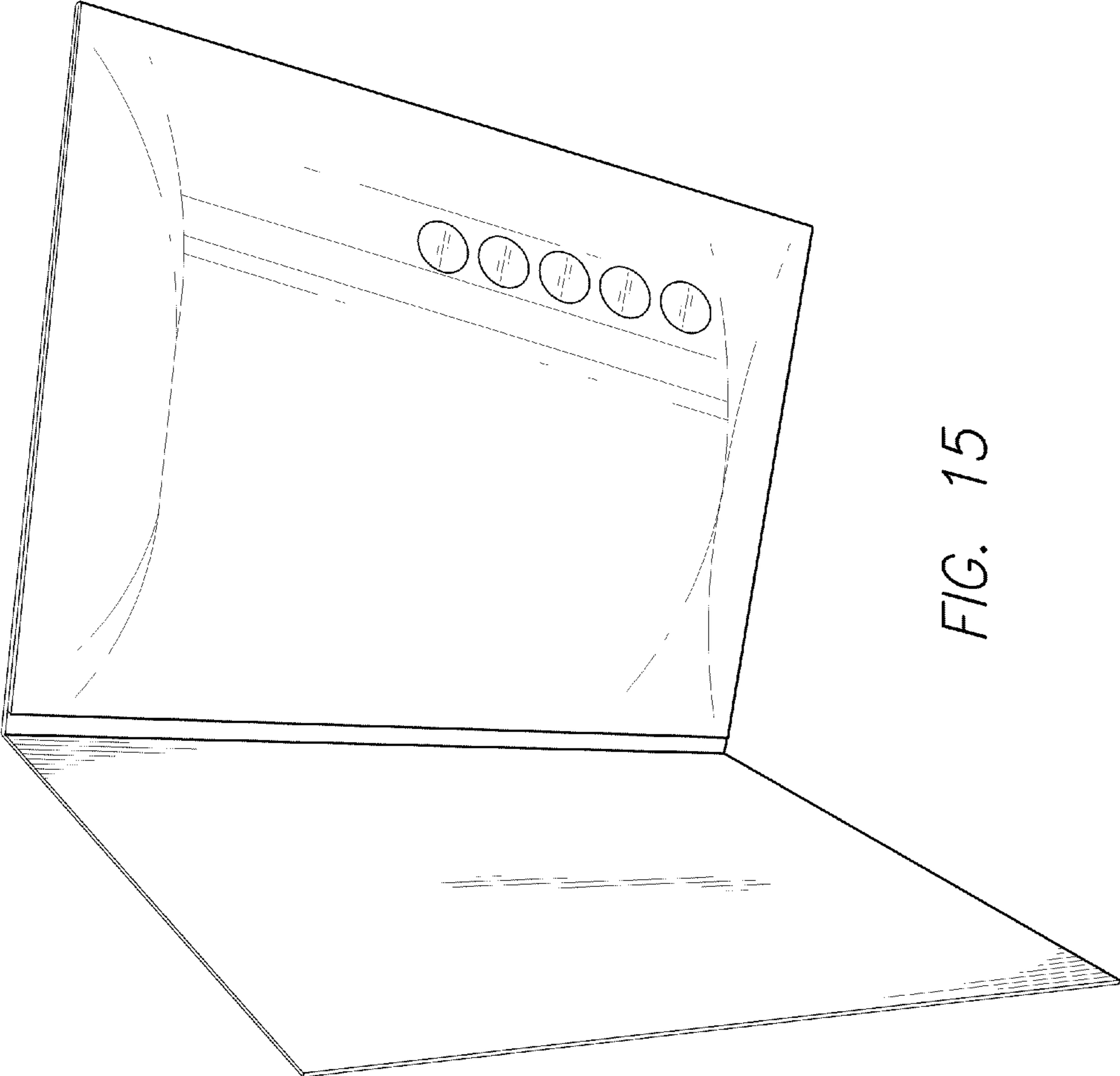


FIG. 15

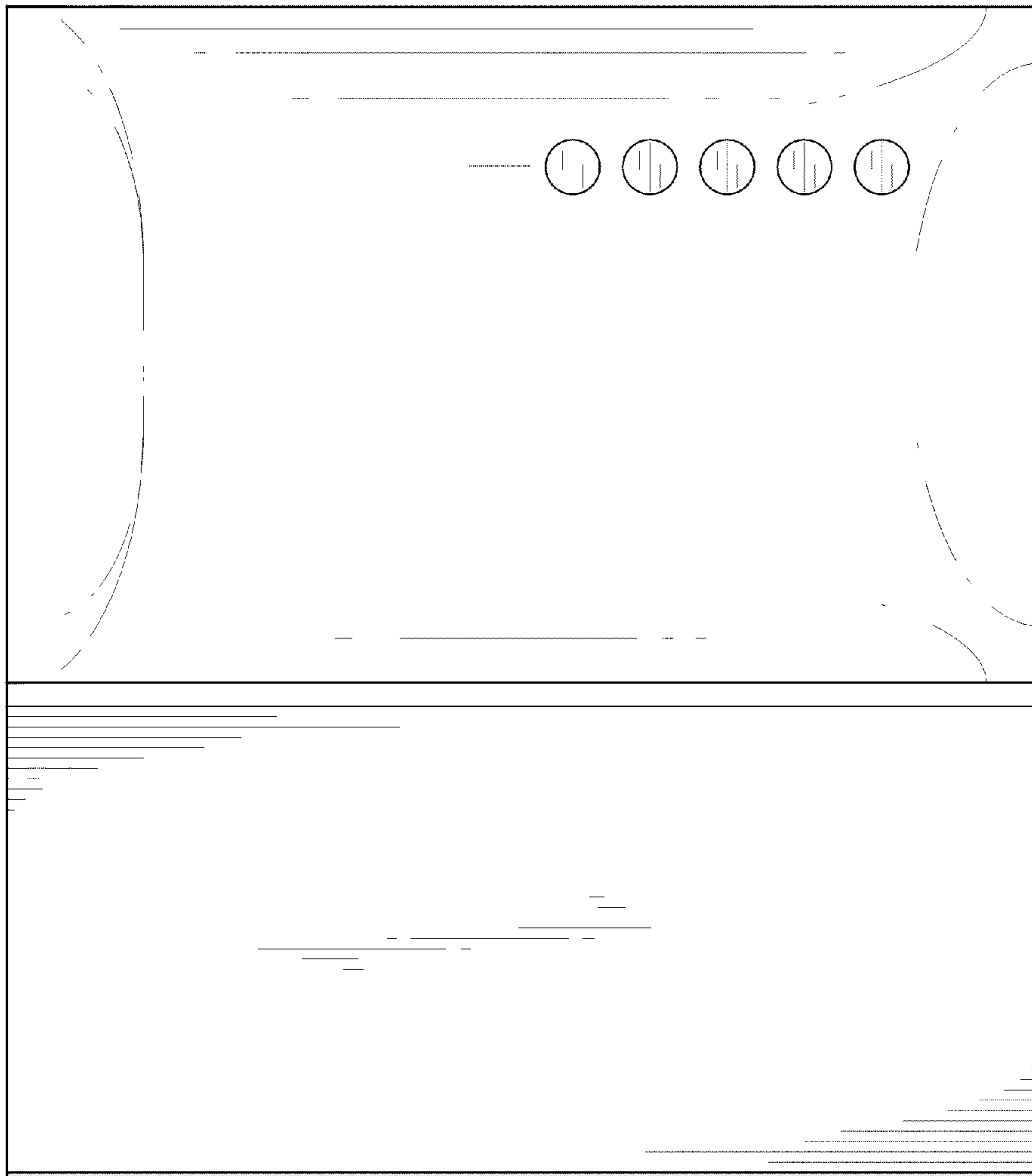


FIG. 16

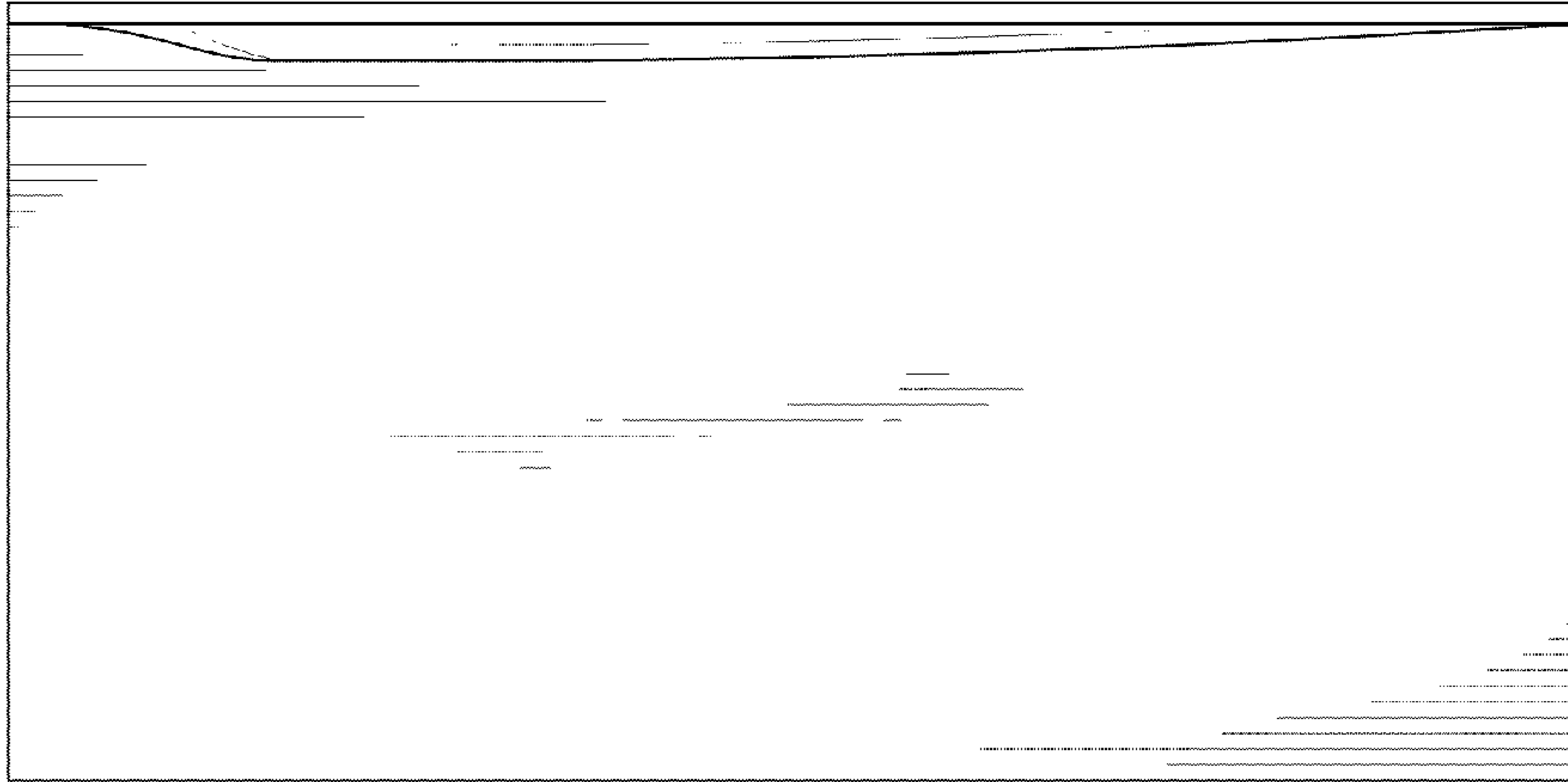


FIG. 18



FIG. 17

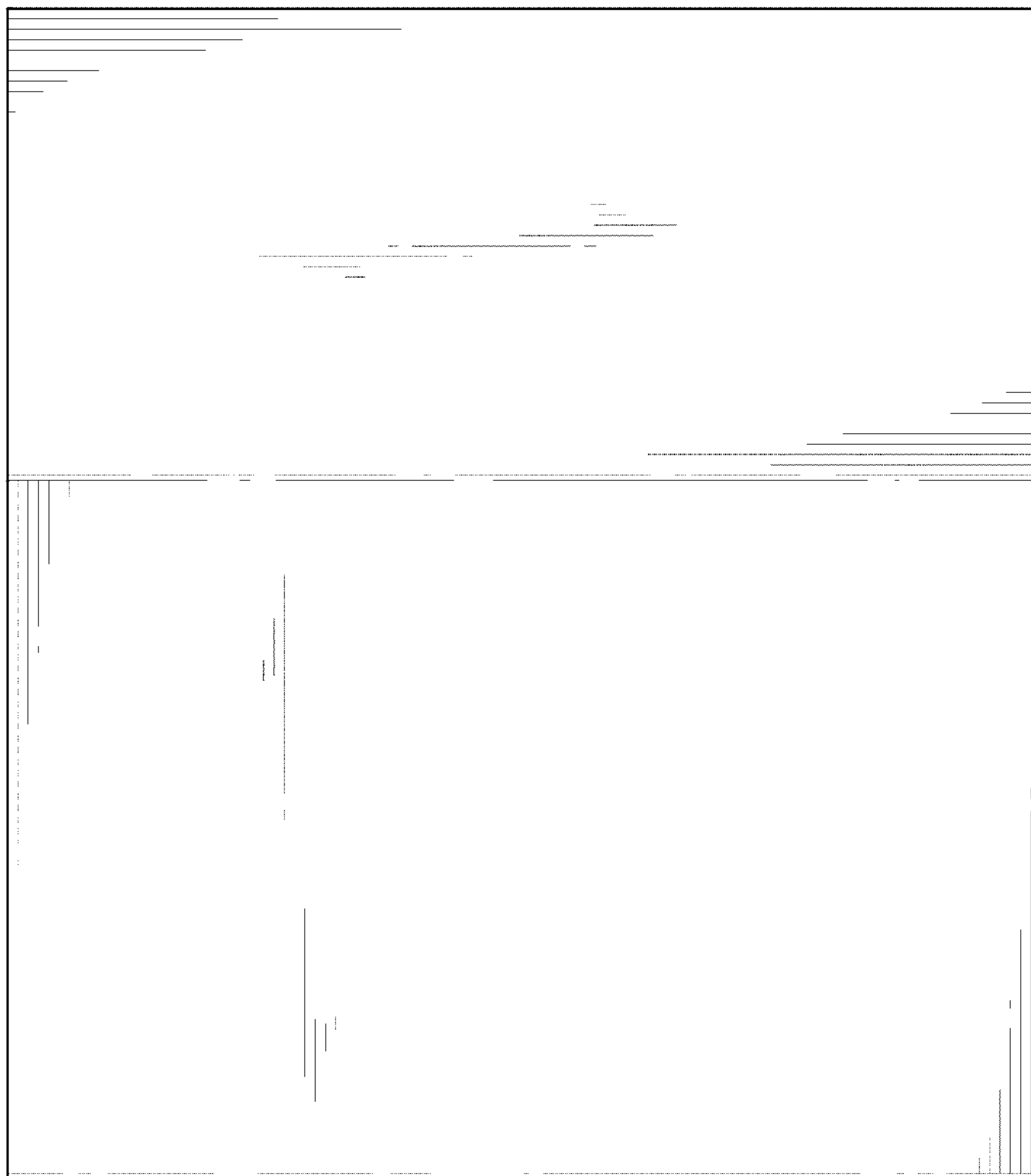


FIG. 19

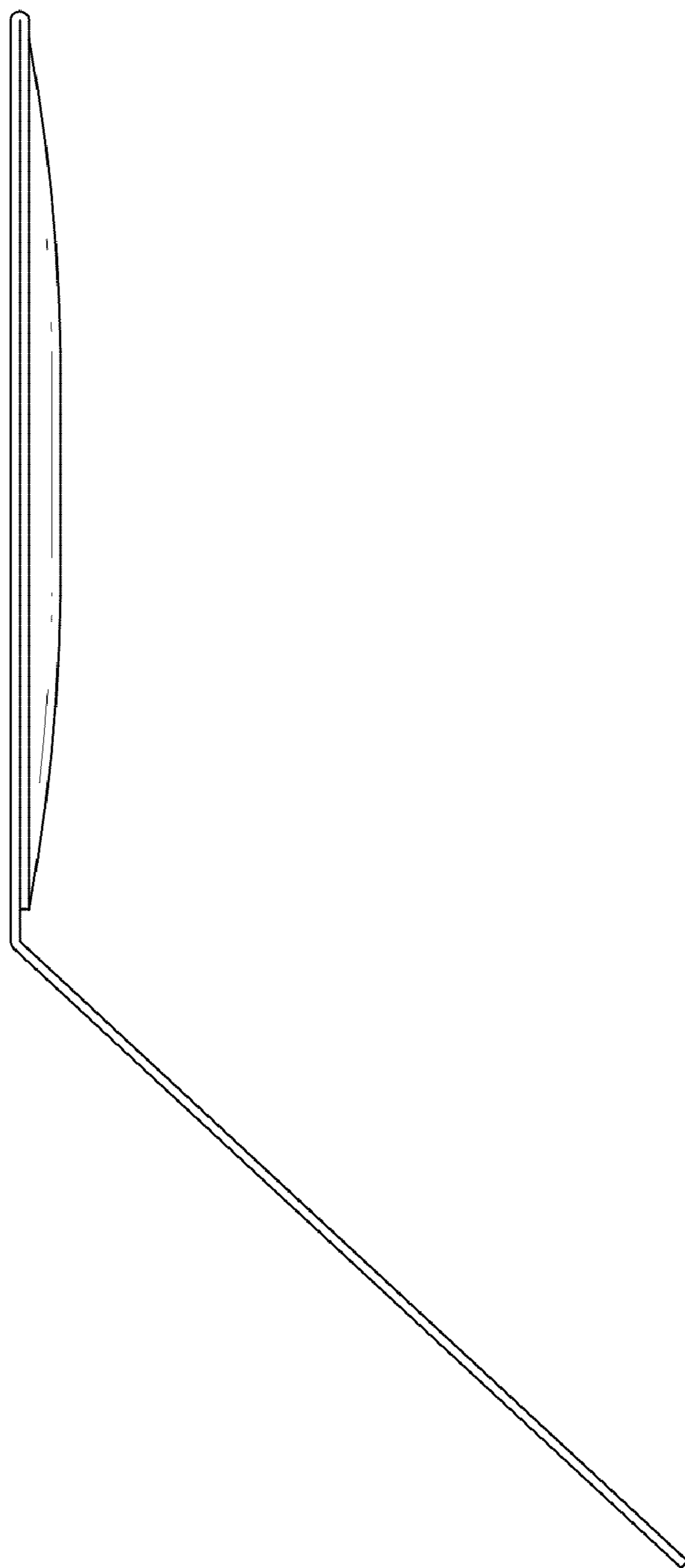


FIG. 20

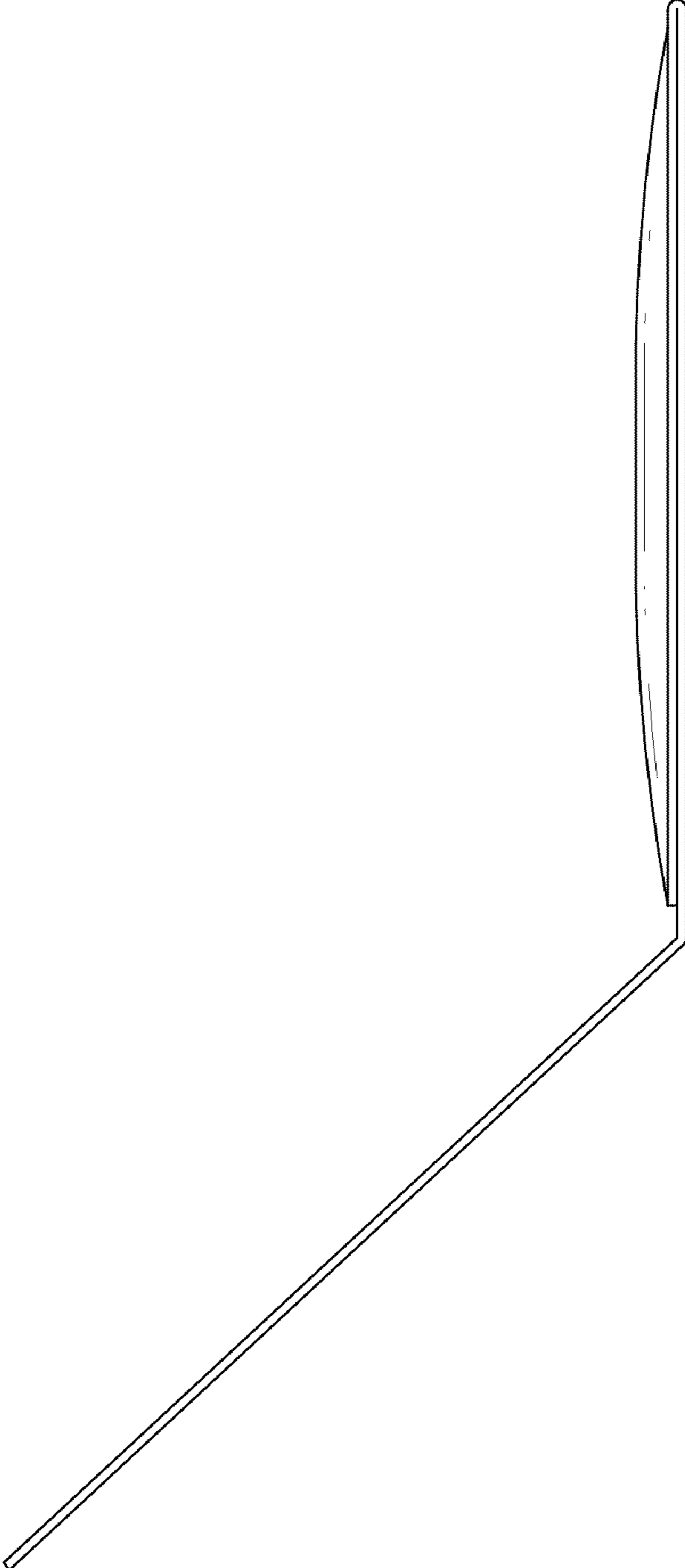


FIG. 21