



US00D649588S

(12) **United States Design Patent**
Clegg et al.

(10) **Patent No.:** **US D649,588 S**
(45) **Date of Patent:** **** Nov. 29, 2011**

(54) **VIDEO BOOK**

(75) Inventors: **Timothy P. Clegg**, Manhattan Beach, CA (US); **Michael D. Ronk**, Lawndale, CA (US)

(73) Assignee: **Americhip, Inc.**, Los Angeles, CA (US)

(**) Term: **14 Years**

(21) Appl. No.: **29/397,890**

(22) Filed: **Jul. 22, 2011**

Related U.S. Application Data

(60) Division of application No. 29/368,489, filed on Aug. 24, 2010, now Pat. No. Des. 642,611, which is a continuation-in-part of application No. 29/363,757, filed on Jun. 14, 2010, now Pat. No. Des. 629,458, which is a continuation-in-part of application No. 12/413,343, filed on Mar. 27, 2009, now Pat. No. 8,011,122, which is a continuation-in-part of application No. 12/263,277, filed on Oct. 31, 2008, which is a continuation-in-part of application No. 12/199,740, filed on Aug. 27, 2008, now abandoned.

(51) **LOC (9) Cl.** **19-01**

(52) **U.S. Cl.** **D19/1**

(58) **Field of Classification Search** D19/1-12;
40/124.01-124.15, 372, 661, 726, 776, 617;
283/72, 74, 75, 103, 105, 106; 206/449;
D21/385; D20/10, 22, 27, 40, 42; D14/371,
D14/374, 435-437

See application file for complete search history.

(56) **References Cited**

U.S. PATENT DOCUMENTS

190,588 A 5/1877 Holding
(Continued)

OTHER PUBLICATIONS

International Search Report dated Sep. 1, 2009, issued in related PCT Application No. PCT/US2009/049579.

(Continued)

Primary Examiner — Caron D Veynar

Assistant Examiner — Abraham Bahta

(74) *Attorney, Agent, or Firm* — Jeffer Mangels Butler & Mitchell LLP

(57) **CLAIM**

The ornamental design for a video book, as shown and described.

DESCRIPTION

FIG. 1 is a perspective view of an embodiment of the present invention;

FIG. 2 is a top plan view of the present invention shown in FIG. 1;

FIG. 3 is a left side elevational view of the present invention shown in FIG. 1;

FIG. 4 is a right side elevational view of the present invention shown in FIG. 1;

FIG. 5 is a bottom plan view of the present invention shown in FIG. 1;

FIG. 6 is a top elevational view of the present invention shown in FIG. 1;

FIG. 7 is a bottom elevational view of the present invention shown in FIG. 1;

FIG. 8 is a perspective view of a second embodiment of the present invention;

FIG. 9 is a top plan view of the present invention shown in FIG. 8;

FIG. 10 is a left side elevational view of the present invention shown in FIG. 8;

FIG. 11 is a right side elevational view of the present invention shown in FIG. 8;

FIG. 12 is a bottom plan view of the present invention shown in FIG. 8;

FIG. 13 is a top elevational view of the present invention shown in FIG. 8;

FIG. 14 is a bottom elevational view of the present invention shown in FIG. 8;

FIG. 15 is a perspective view of a third embodiment of the present invention;

FIG. 16 is a top plan view of the present invention shown in FIG. 15;

FIG. 17 is a left side elevational view of the present invention shown in FIG. 15;

FIG. 18 is a right side elevational view of the present invention shown in FIG. 15;

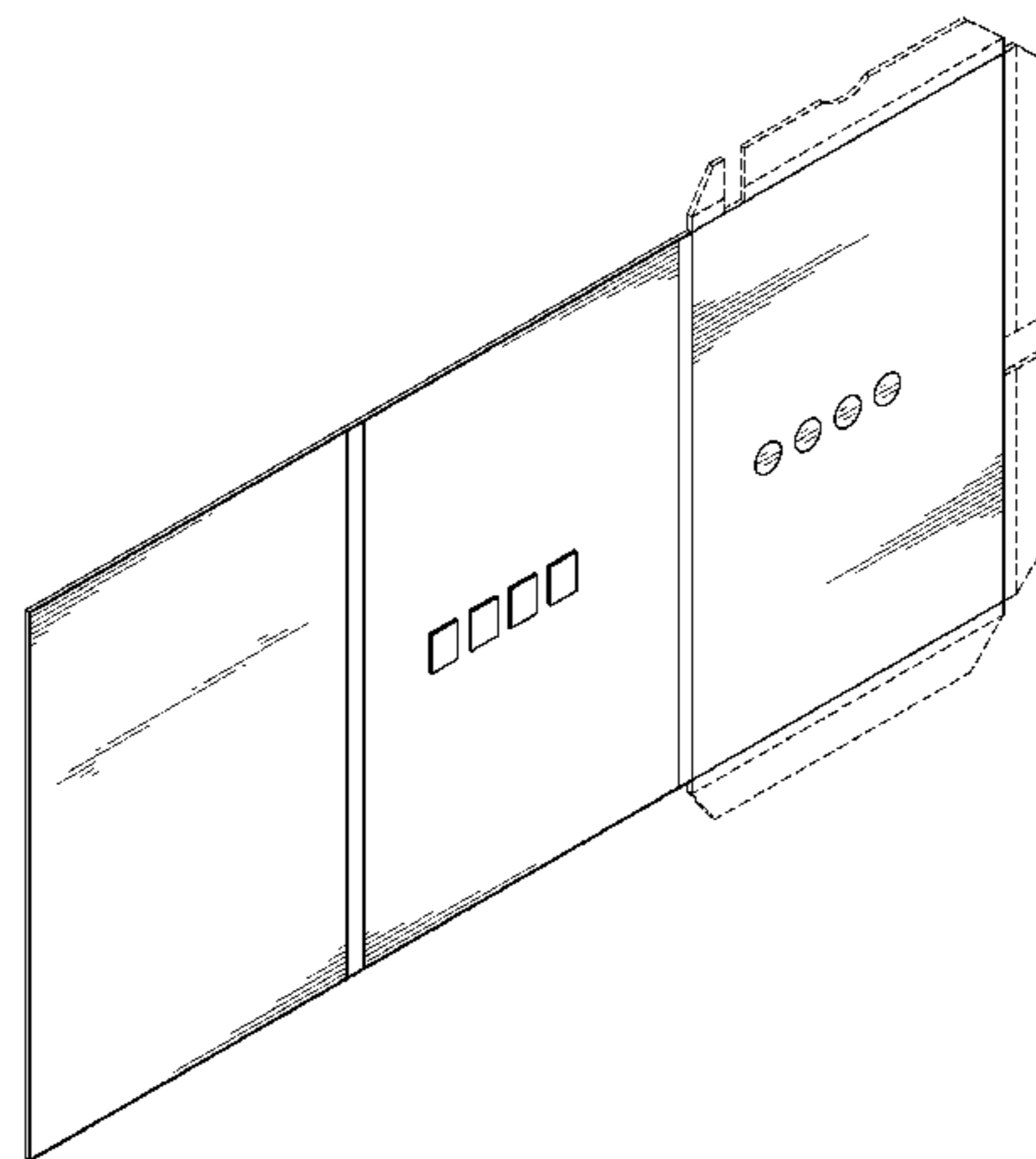
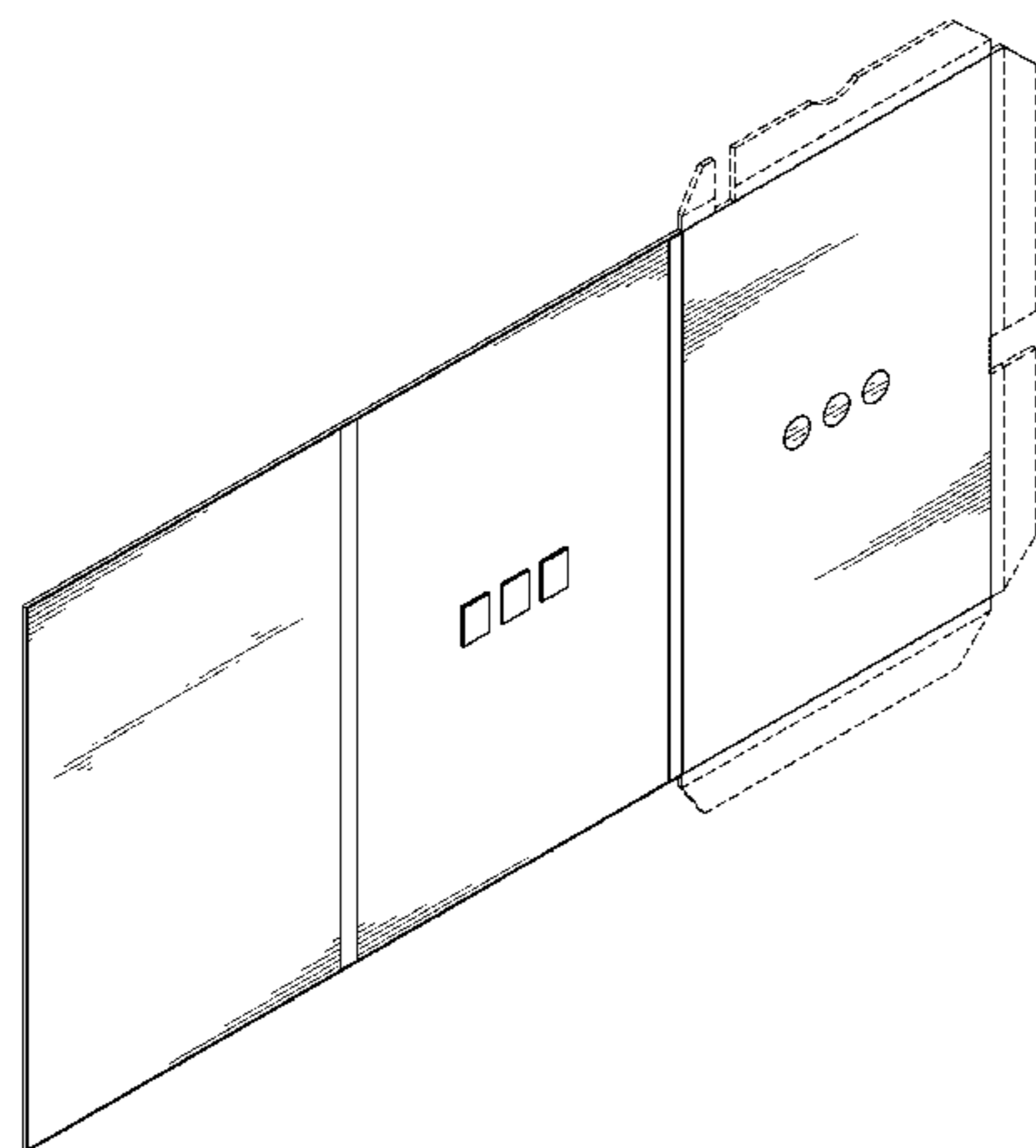
FIG. 19 is a bottom plan view of the present invention shown in FIG. 15;

FIG. 20 is a top elevational view of the present invention shown in FIG. 15; and,

FIG. 21 is a bottom elevational view of the present invention shown in FIG. 15.

The broken line showing of portions of the video book is included for the purpose of illustrating environmental structure and forms no part of the claimed design.

1 Claim, 15 Drawing Sheets



U.S. PATENT DOCUMENTS

1,141,172	A	6/1915	Clark	
2,107,450	A	2/1938	Miller	
2,298,601	A	5/1940	Tremblett	
2,367,967	A	11/1942	Schwartz	
2,543,670	A	2/1951	Regensburg	
4,209,824	A	6/1980	Kaufman	
4,231,034	A	10/1980	Bechteler	
4,286,399	A	9/1981	Funahashi et al.	
4,433,783	A	2/1984	Dickinson	
4,607,747	A	8/1986	Steiner	
4,611,262	A	9/1986	Galloway et al.	
4,614,266	A	9/1986	Moorhead	
4,656,469	A	4/1987	Oliver	
4,703,573	A	11/1987	Montgomery et al.	
4,791,741	A	12/1988	Kondo	
4,847,124	A	7/1989	Lux nee Andrieux	
4,855,725	A	8/1989	Fernandez	
4,866,865	A	9/1989	Yang	
5,063,698	A	11/1991	Johnson et al.	
5,230,501	A	7/1993	Melton	
5,245,171	A	9/1993	Fox et al.	
5,275,285	A	1/1994	Clegg	
5,416,310	A	5/1995	Little	
5,419,705	A	5/1995	Sandvik	
5,452,269	A	9/1995	Cherdak	
5,463,725	A	10/1995	Henckel	
5,520,544	A	5/1996	Manico et al.	
5,534,888	A	7/1996	Lebby et al.	
5,577,918	A	11/1996	Crowell	
5,652,606	A	7/1997	Sasaki et al.	
5,761,836	A	6/1998	Dawson	
5,778,574	A	7/1998	Reuben	
5,815,954	A	10/1998	Huang	
5,845,218	A	12/1998	Altschul	
5,860,065	A	1/1999	Hsu	
5,901,484	A	5/1999	Seder	
5,912,653	A	6/1999	Fitch	
6,030,089	A	2/2000	Parker	
6,064,855	A	5/2000	Ho	
6,104,306	A	8/2000	Hogue et al.	
6,126,201	A	10/2000	Pace et al.	
D441,591	S *	5/2001	Drew D6/626	
6,226,959	B1	5/2001	Krasuski et al.	
6,279,170	B1	8/2001	Chu	
6,286,873	B1	9/2001	Seder	
6,369,793	B1	4/2002	Parker	
6,445,347	B1	9/2002	Yoshimi	
6,525,706	B1	2/2003	Rehkemper et al.	
6,573,880	B1	6/2003	Simoni	
6,591,523	B2	7/2003	Pines	
6,693,515	B2	2/2004	Clapper	
6,754,344	B2	6/2004	Kohli et al.	
D493,658	S *	8/2004	Hassett D6/626	
6,788,283	B1	9/2004	Blotky	
6,895,261	B1	5/2005	Palamides	
6,905,019	B2	6/2005	Lacomis	
6,985,135	B2	1/2006	Sugimoto	
7,058,163	B1	6/2006	Parekh et al.	
7,127,841	B1	10/2006	Weber	
7,151,541	B2	12/2006	Seder	
7,181,300	B2	2/2007	Robbins	

7,240,441	B2	7/2007	Clegg	
7,242,315	B2	7/2007	Affolter	
7,278,570	B2	10/2007	McGee et al.	
7,278,584	B1	10/2007	Gandel et al.	
7,331,132	B1	2/2008	Seder	
7,336,788	B1	2/2008	Hendricks	
7,356,950	B1	4/2008	Avery	
7,376,564	B2	5/2008	Selg et al.	
7,396,049	B2	7/2008	Nelson	
7,429,965	B2	9/2008	Weiner	
7,436,318	B2	10/2008	Affolter	
D580,973	S	11/2008	Turner et al.	
D583,409	S *	12/2008	Fagan D19/3	
D591,341	S	4/2009	Fagan	
7,634,864	B2	12/2009	Segan	
D608,825	S *	1/2010	Brett D19/3	
D616,929	S	6/2010	Krivanek et al.	
D621,872	S *	8/2010	Jordan D19/3	
7,802,386	B2	9/2010	Mandelbaum et al.	
D629,459	S *	12/2010	Clegg et al. D19/1	
2001/0040560	A1	11/2001	Amron	
2001/0043194	A1	11/2001	Amron	
2003/0182827	A1	10/2003	Youngdahl	
2004/0066915	A1	4/2004	Turner et al.	
2004/0150983	A1	8/2004	Sexton	
2004/0248073	A1	12/2004	Pinkerman et al.	
2005/0011776	A1	1/2005	Nagel	
2005/0108773	A1	5/2005	Jung et al.	
2005/0119023	A1	6/2005	Sudo et al.	
2005/0194434	A1	9/2005	Trent, Jr.	
2005/0270280	A1	12/2005	Riback	
2005/0271354	A1	12/2005	Yeh	
2006/0134591	A1	6/2006	Karat	
2007/0069883	A1	3/2007	Collier, Jr.	
2007/0171278	A1	7/2007	Chen	
2007/0215694	A1	9/2007	Clegg	
2008/0010871	A1	1/2008	Holmes	
2008/0289230	A1	11/2008	Mandelbaum et al.	
2009/0027566	A1	1/2009	Wargon	
2009/0211126	A1	8/2009	Oh	
2009/0238544	A1	9/2009	Orsini	
2010/0005377	A1	1/2010	Batan	
2010/0250255	A1	9/2010	Stern	

OTHER PUBLICATIONS

Office Action issued in corresponding U.S. Appl. No. 12/199,740, notification date Jun. 24, 2010.
 Response to Office Action filed in corresponding U.S. Appl. No. 12/199,740, filed Aug. 24, 2010.
 Office Action issued in corresponding U.S. Appl. No. 12/199,740, notification date Nov. 15, 2010.
 Office Action issued in corresponding U.S. Appl. No. 12/263,277, notification date Dec. 10, 2010.
 Office Action issued in corresponding U.S. Appl. No. 12/413,343, notification date Dec. 3, 2010.
 Response to Office Action in corresponding U.S. Appl. No. 12/413,343, filed May 4, 2011.
 Response to Office Action in corresponding U.S. Appl. No. 12/263,277, filed Jun. 10, 2011.

* cited by examiner

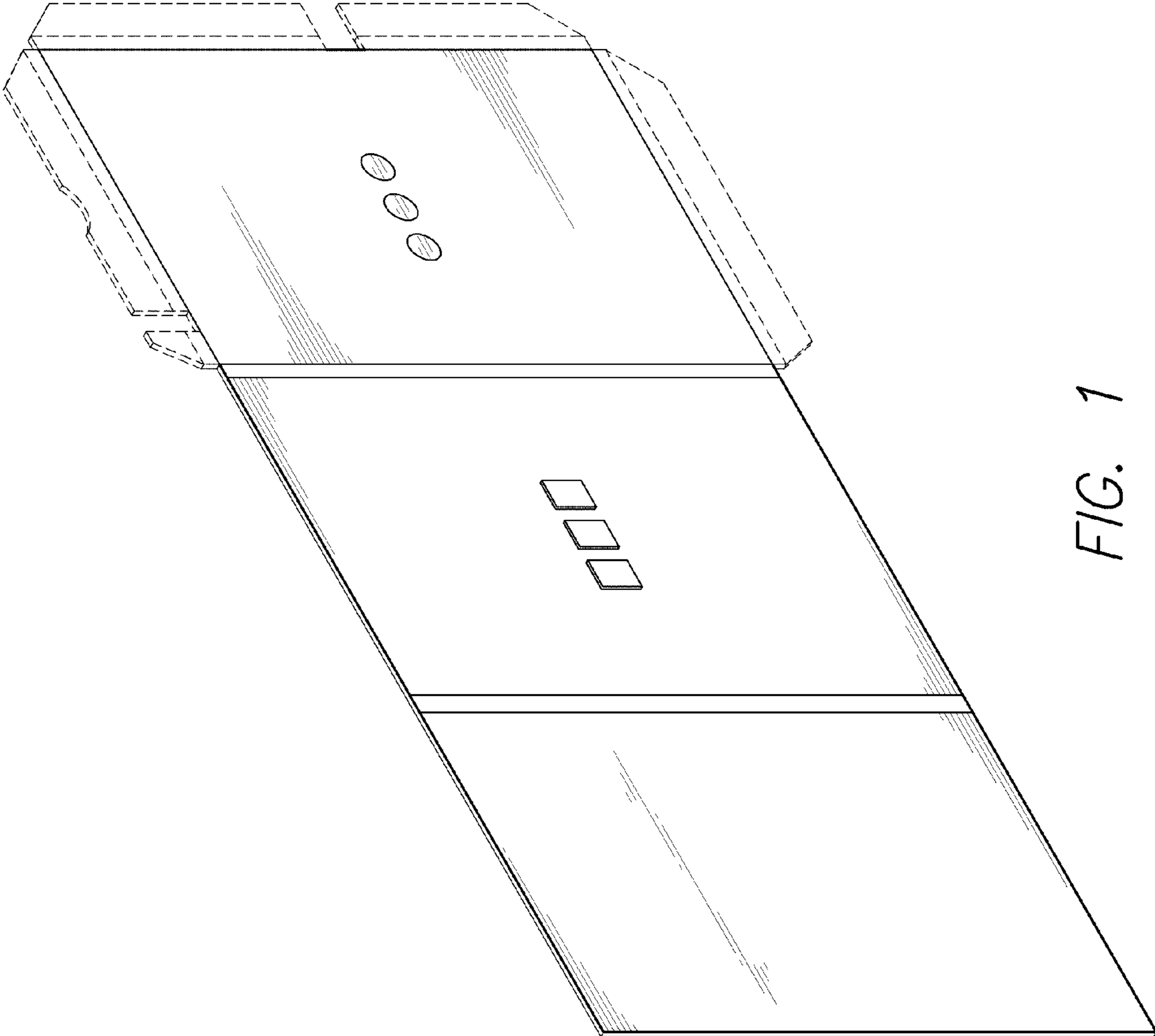


FIG. 1

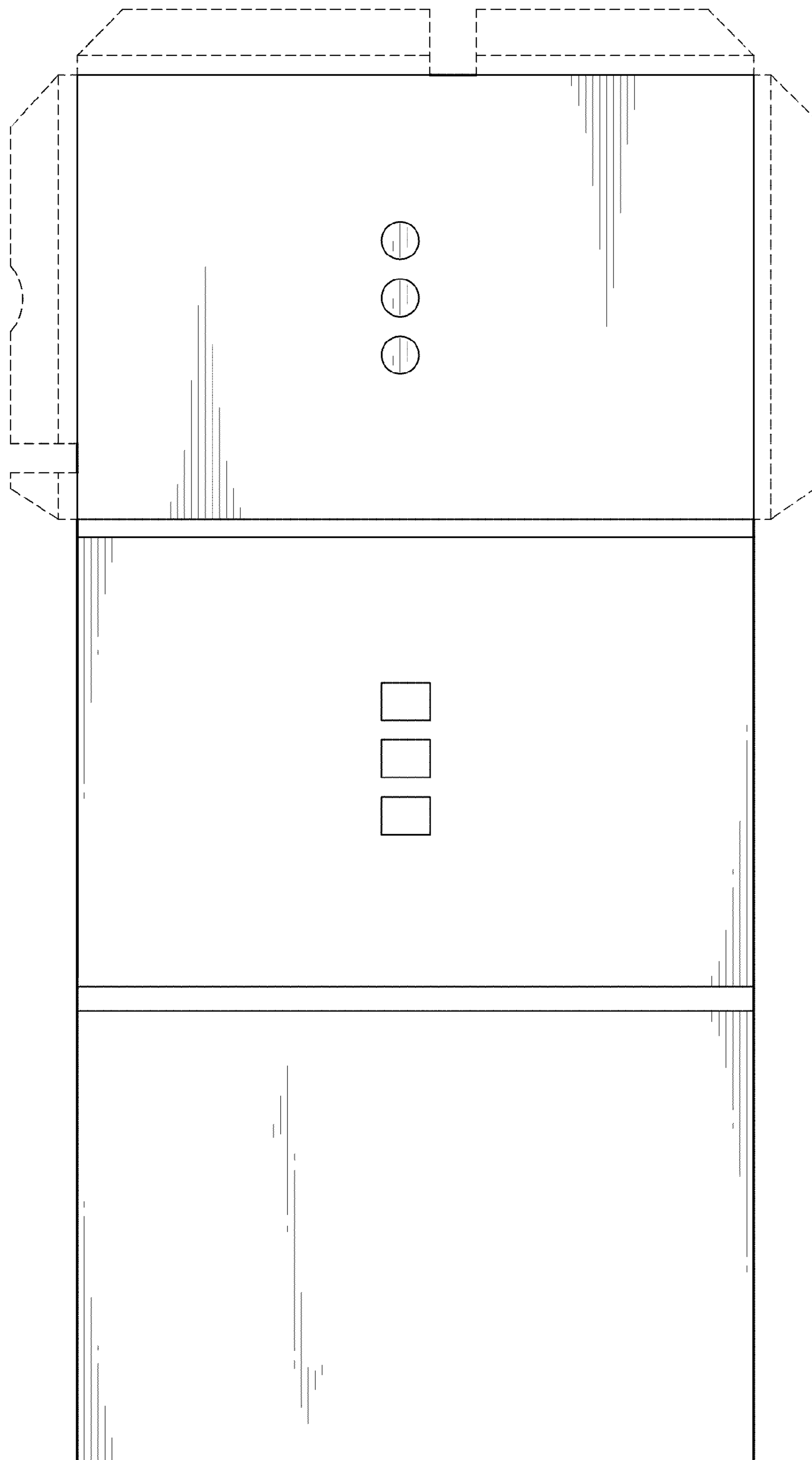


FIG. 2



FIG. 3



FIG. 4

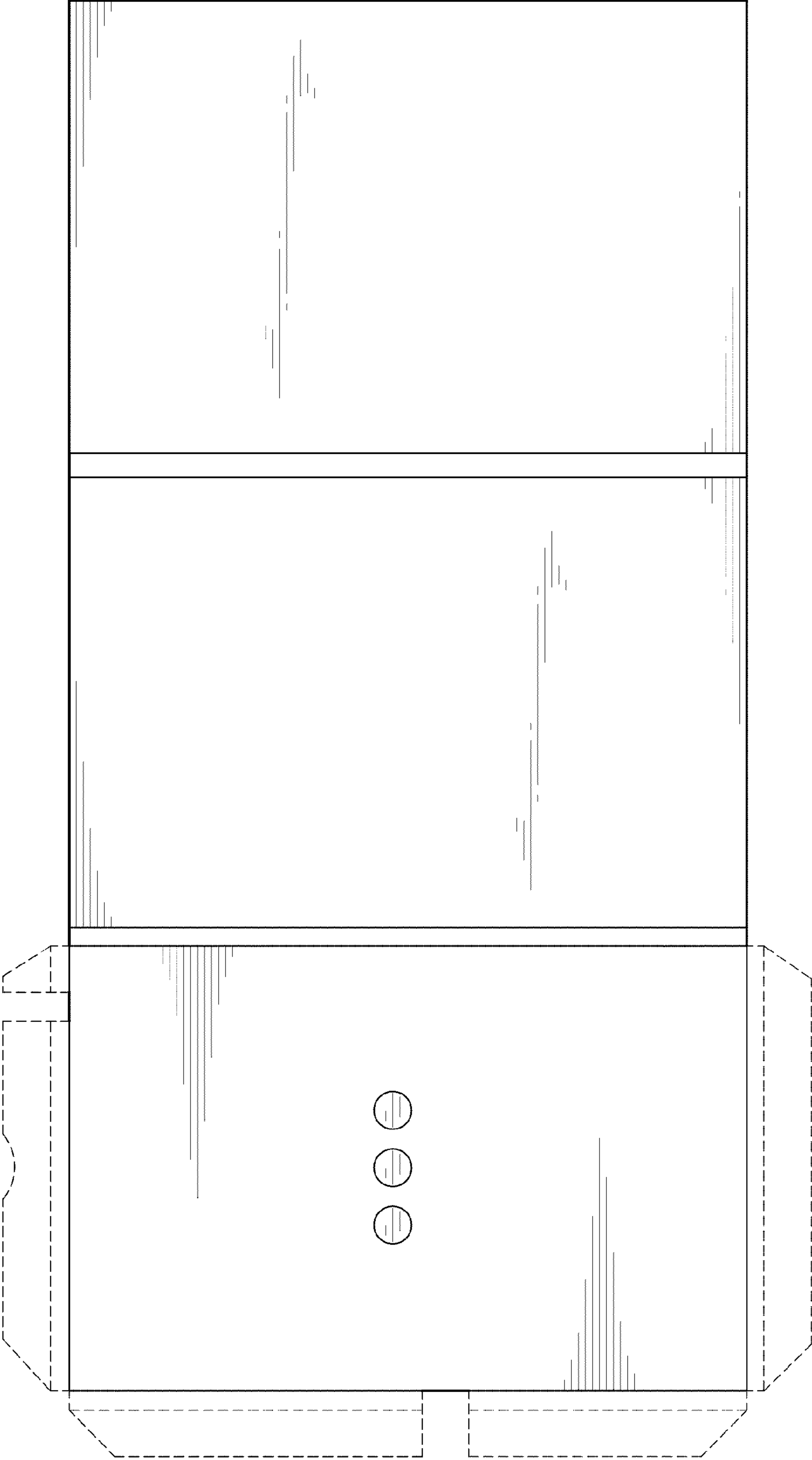


FIG. 5



FIG. 6

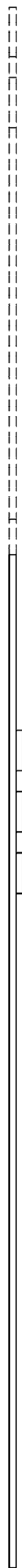


FIG. 7

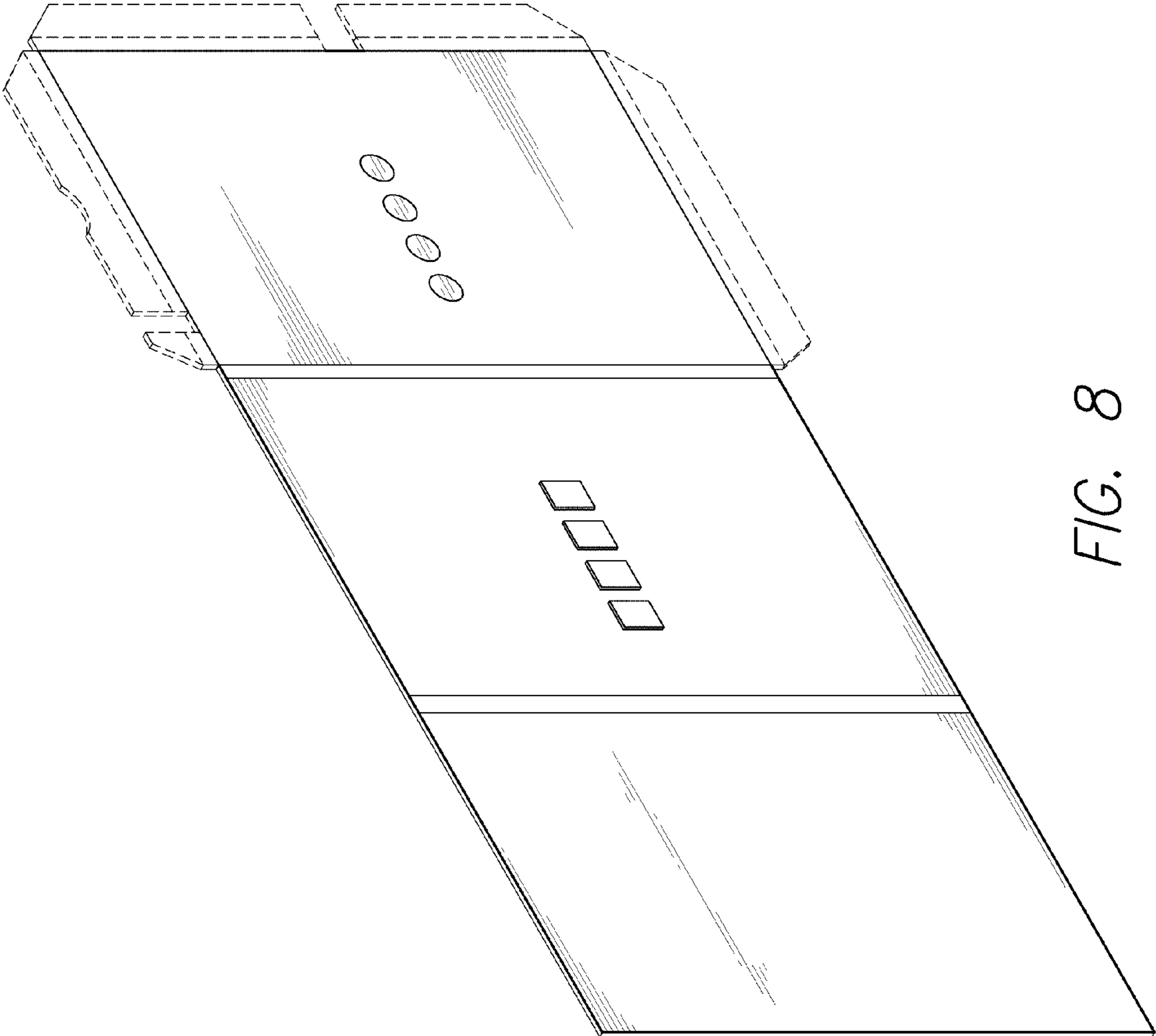


FIG. 8

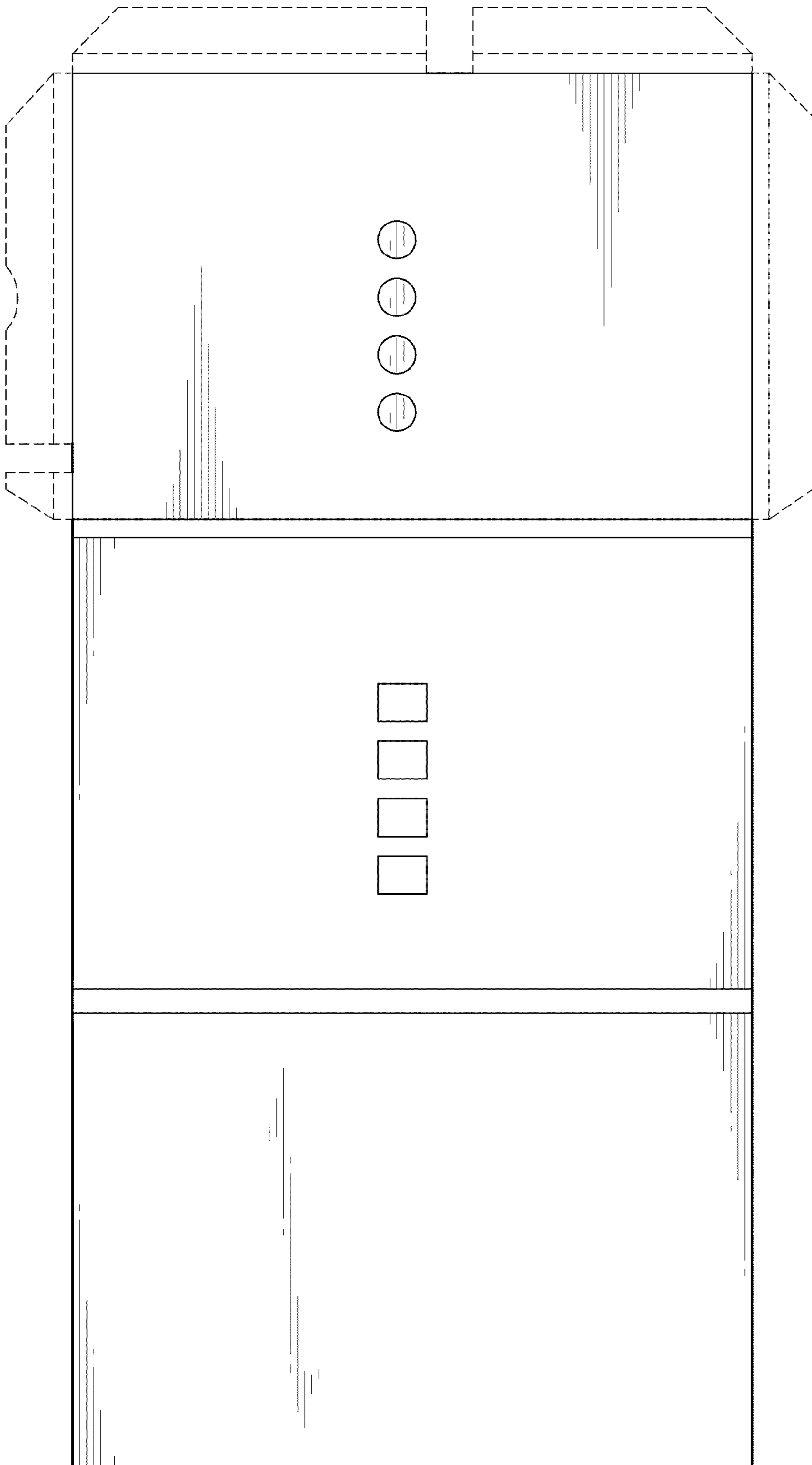


FIG. 9

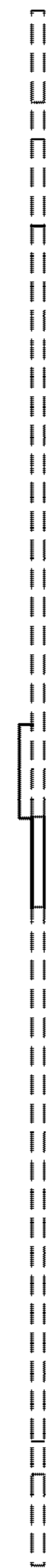


FIG. 10



FIG. 11

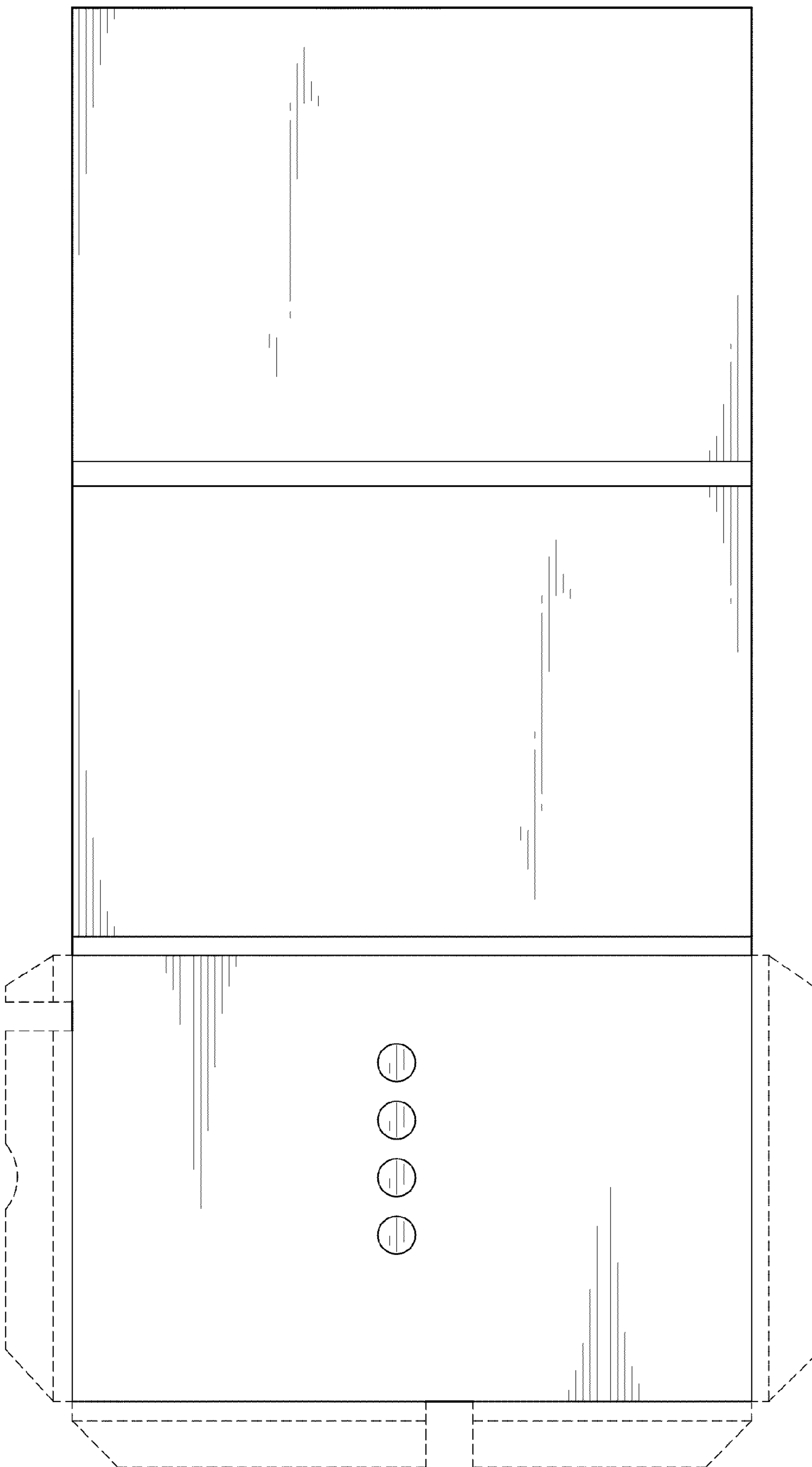


FIG. 12



FIG. 13



FIG. 14

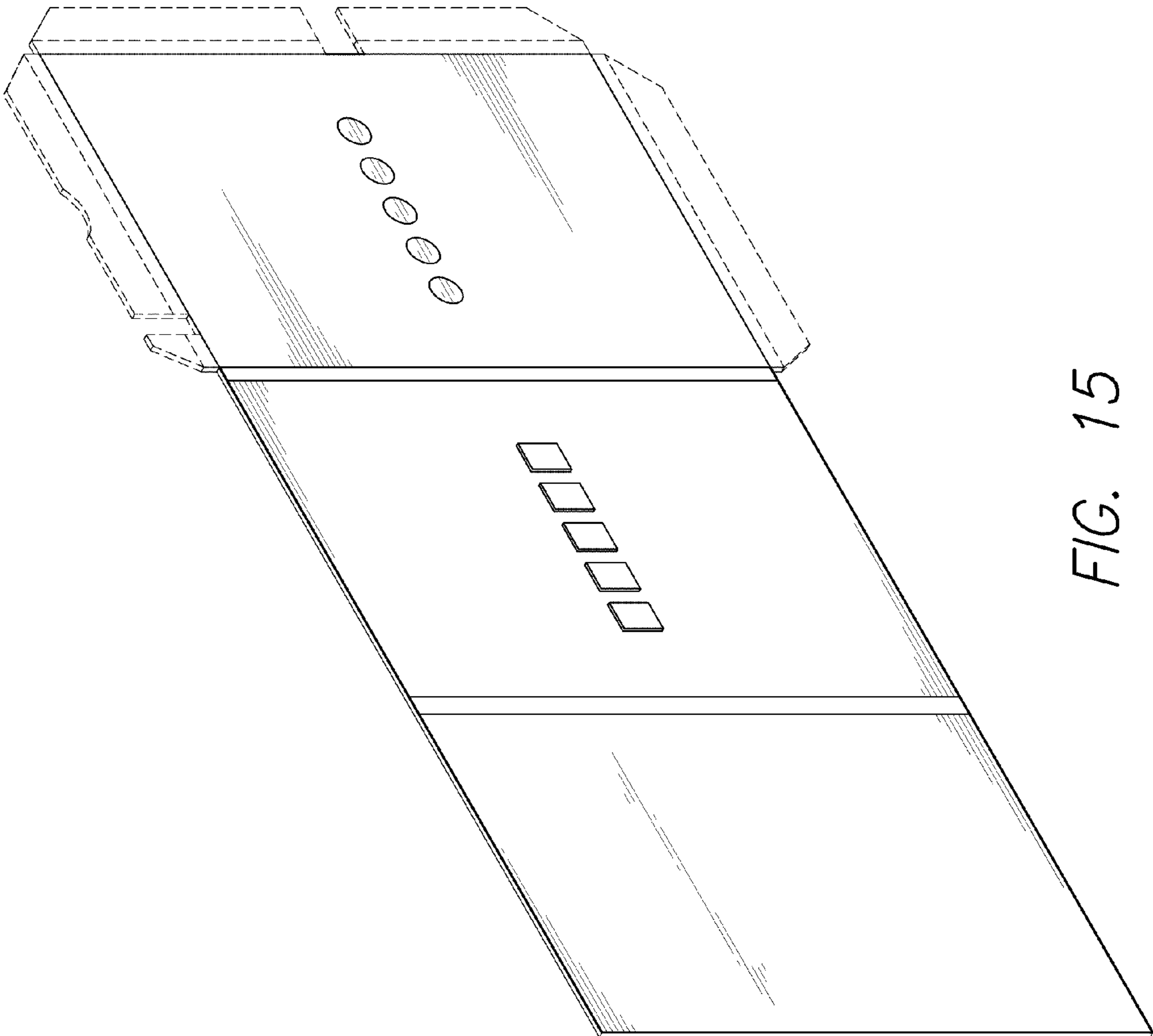


FIG. 15

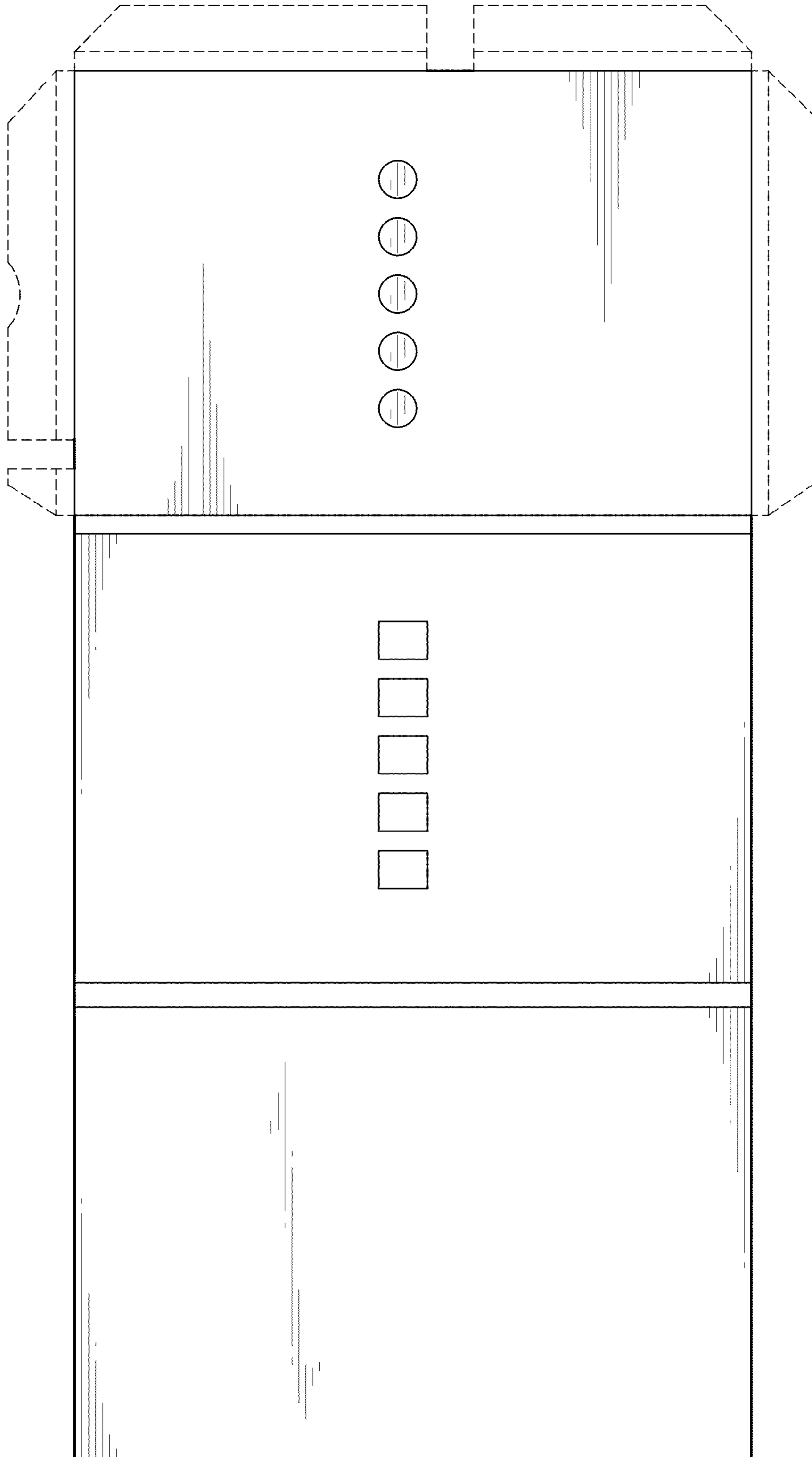


FIG. 16



FIG. 17



FIG. 18

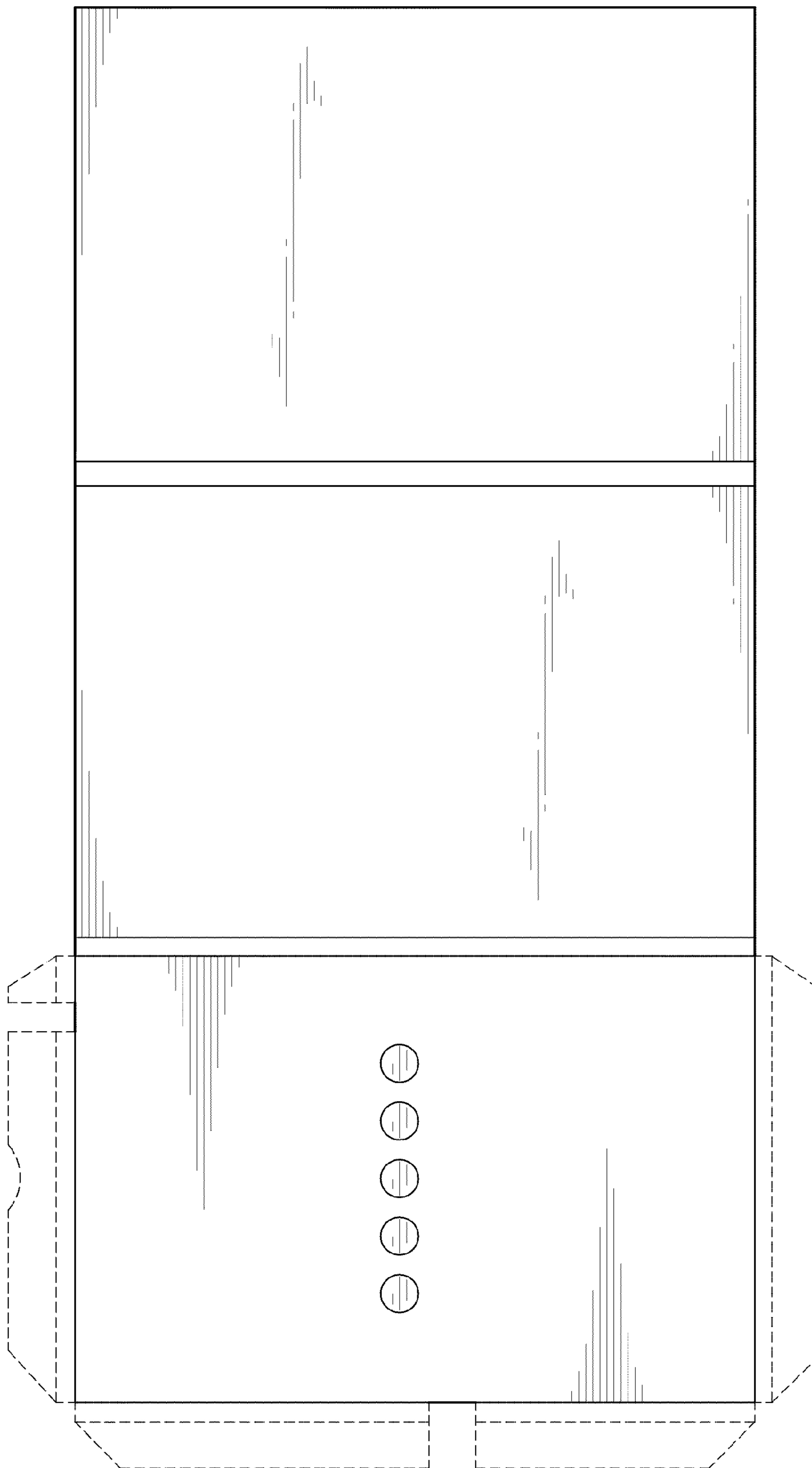


FIG. 19



FIG. 20



FIG. 21