



US00D649577S

(12) **United States Design Patent**
Goodman et al.

(10) **Patent No.:** **US D649,577 S**
(45) **Date of Patent:** **** Nov. 29, 2011**

(54) **GOGGLE**

(75) Inventors: **Chris Goodman**, Ladera Ranch, CA (US); **Hans Mortiz**, Foothill Ranch, CA (US)

(73) Assignee: **Oakley, Inc.**, Foothill Ranch, CA (US)

(**) Term: **14 Years**

(21) Appl. No.: **29/383,480**

(22) Filed: **Jan. 18, 2011**

(51) **LOC (9) Cl.** **16-06**

(52) **U.S. Cl.** **D16/312**

(58) **Field of Classification Search** D16/101,
D16/300-342, 900; D29/109-110; D24/110.2;
351/41, 44, 51-52, 62, 158, 92, 103-123,
351/140, 153, 45-46; 2/426-432, 447-449,
2/441, 434-437, 13, 15; D21/483, 659-661
See application file for complete search history.

D505,444 S 5/2005 Borlet et al.
D509,236 S 9/2005 Sheldon
D519,147 S 4/2006 Moritz et al.
D523,461 S 6/2006 Moritz et al.
D537,099 S * 2/2007 Saderholm et al. D16/312
D537,100 S 2/2007 Moritz et al.
D538,834 S * 3/2007 Mangum D16/312
D577,054 S 9/2008 Moritz
D616,483 S 5/2010 Moritz
D616,914 S 6/2010 Moritz
D620,969 S 8/2010 Cyr
D629,035 S 12/2010 Moritz et al.
D633,937 S * 3/2011 Yasuhara et al. D16/312

* cited by examiner

Primary Examiner — Raphael Barkai

(74) *Attorney, Agent, or Firm* — Knobbe Martens Olson & Bear, LLP

(57) **CLAIM**

The ornamental design for a goggle, as shown and described.

DESCRIPTION

FIG. 1 is a front perspective view of a goggle of the present invention;

FIG. 2 is a front elevational view of the goggle of FIG. 1;

FIG. 3 is a rear elevational view of the goggle of FIG. 1;

FIG. 4 is a right side elevational view of the goggle of FIG. 1;

FIG. 5 is a left side elevational view of the goggle of FIG. 1;

FIG. 6 is a top plan view of the goggle of FIG. 1; and,

FIG. 7 is a bottom plan view of the goggle of FIG. 1.

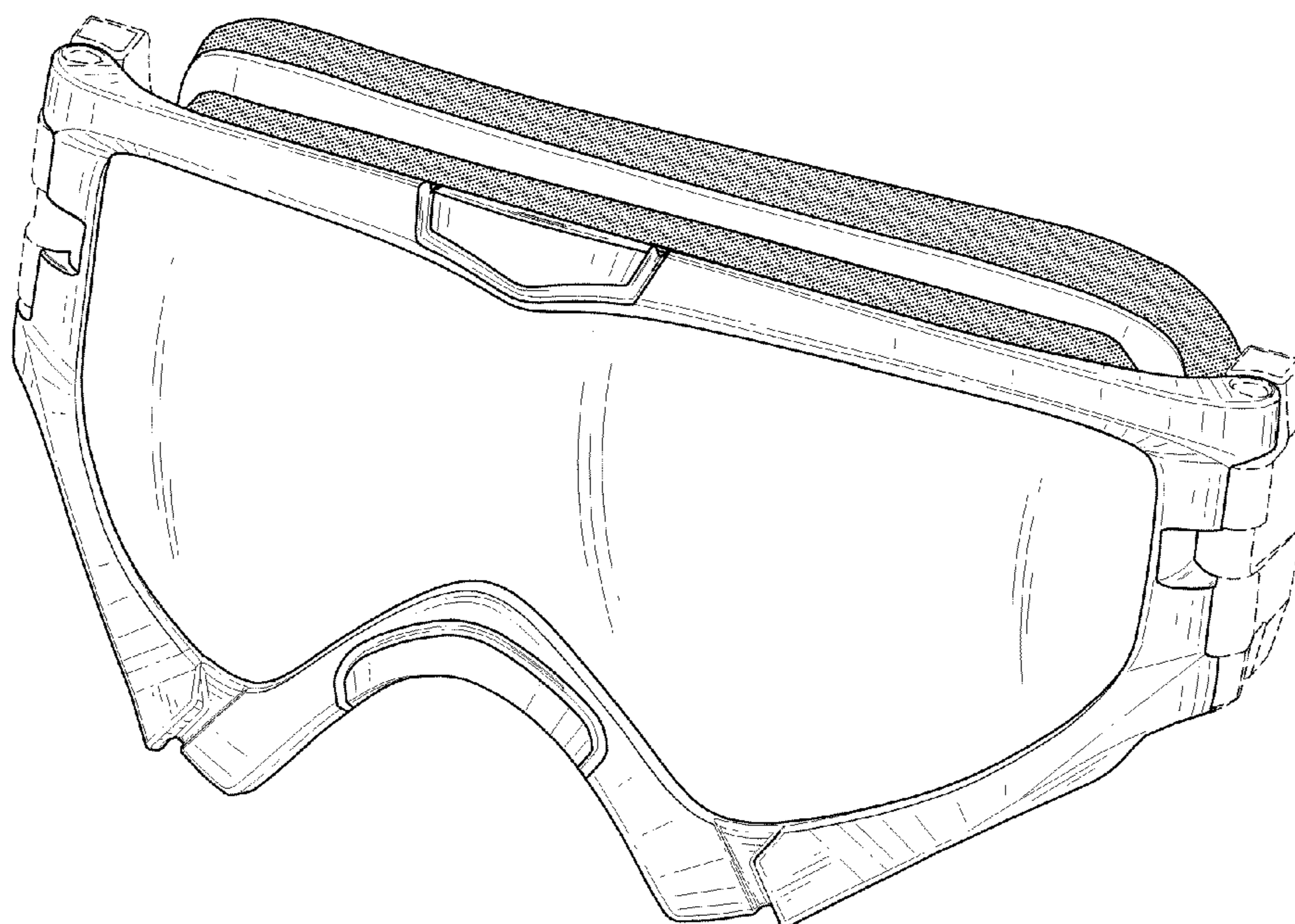
The broken lines shown in FIGS. 1-7 are for illustrative purposes only and form no part of the claimed design.

1 Claim, 4 Drawing Sheets

(56) **References Cited**

U.S. PATENT DOCUMENTS

D322,795 S 12/1991 Dianitsch
D327,696 S 7/1992 Bolle
D358,159 S 5/1995 Lai
5,617,588 A 4/1997 Canavan et al.
D405,102 S 2/1999 Moritz et al.
D407,735 S * 4/1999 Arnette D16/312
6,076,196 A 6/2000 Masumoto
D428,039 S 7/2000 Thixton
D439,267 S 3/2001 Hussey
D442,206 S 5/2001 Meyerhoffer
D477,010 S 7/2003 Moritz et al.



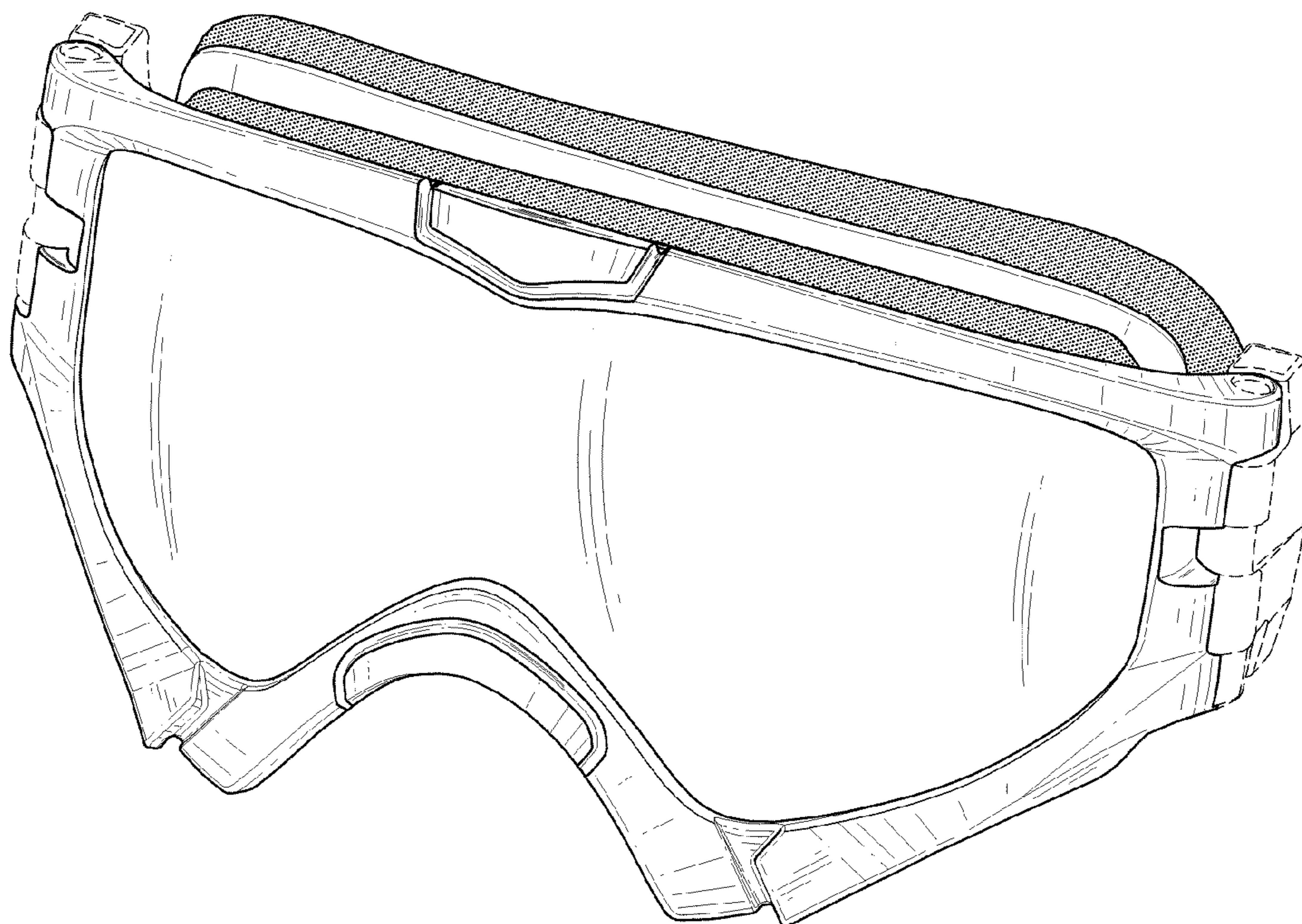


FIG. 1

FIG. 2

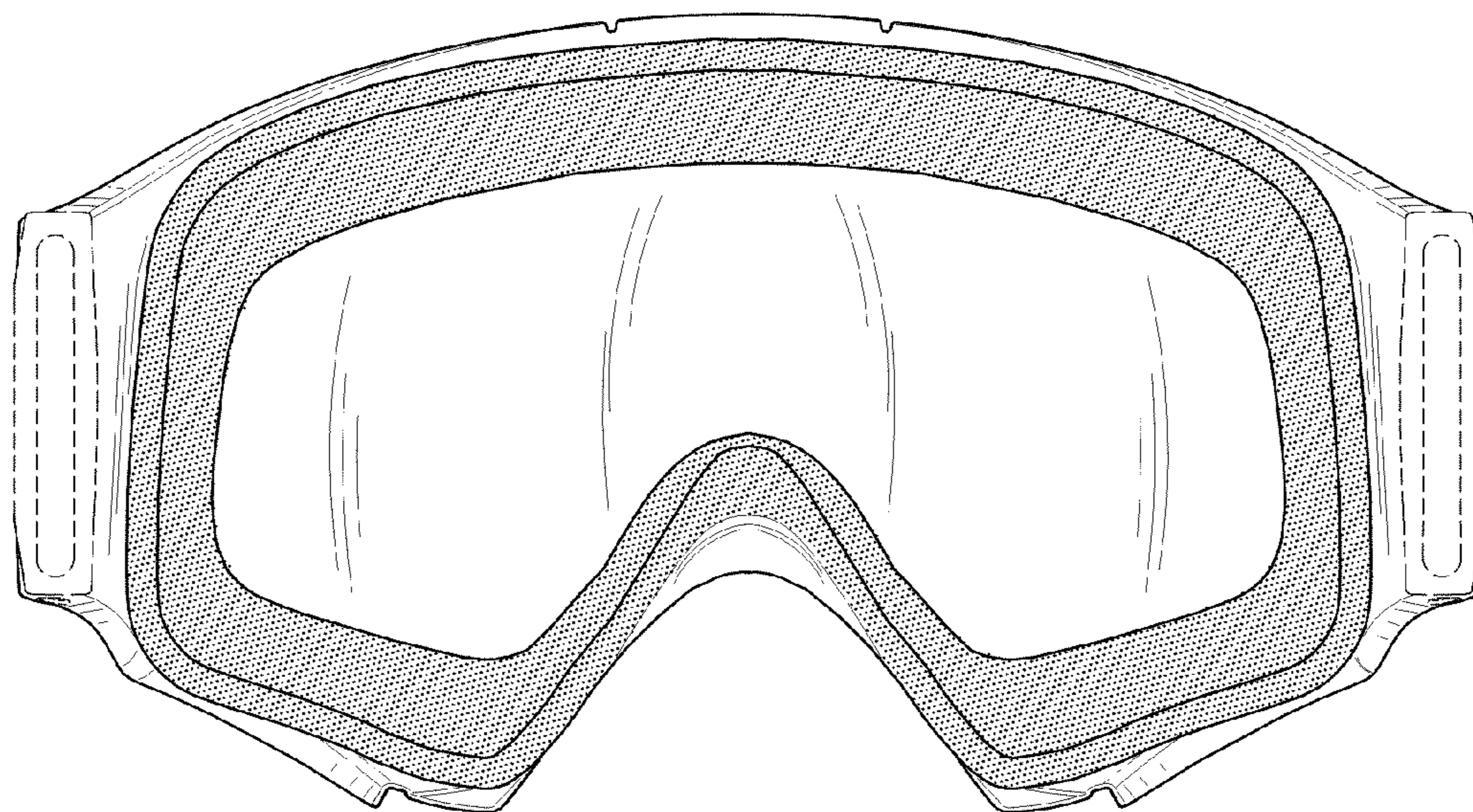
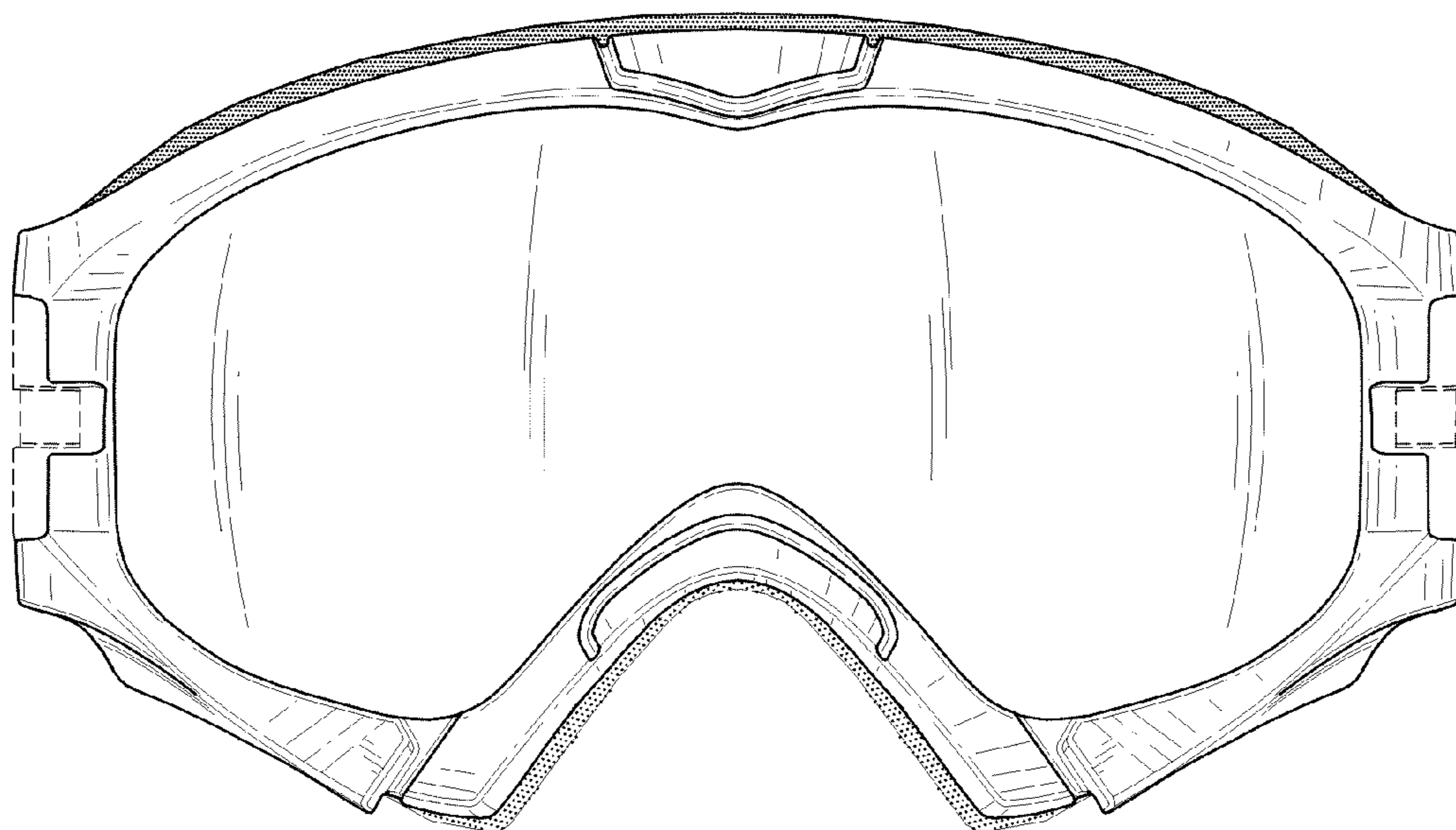


FIG. 3

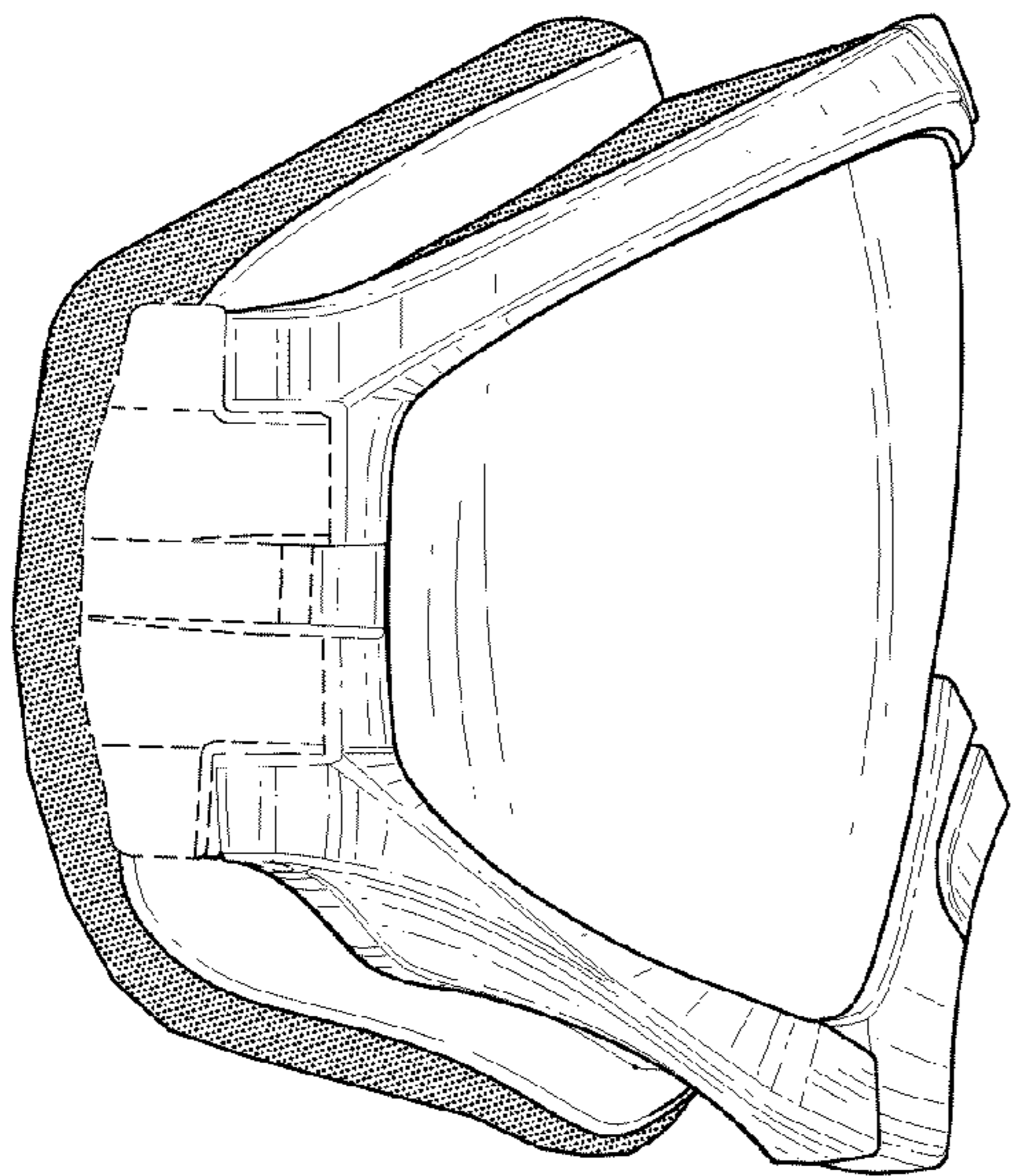


FIG. 4

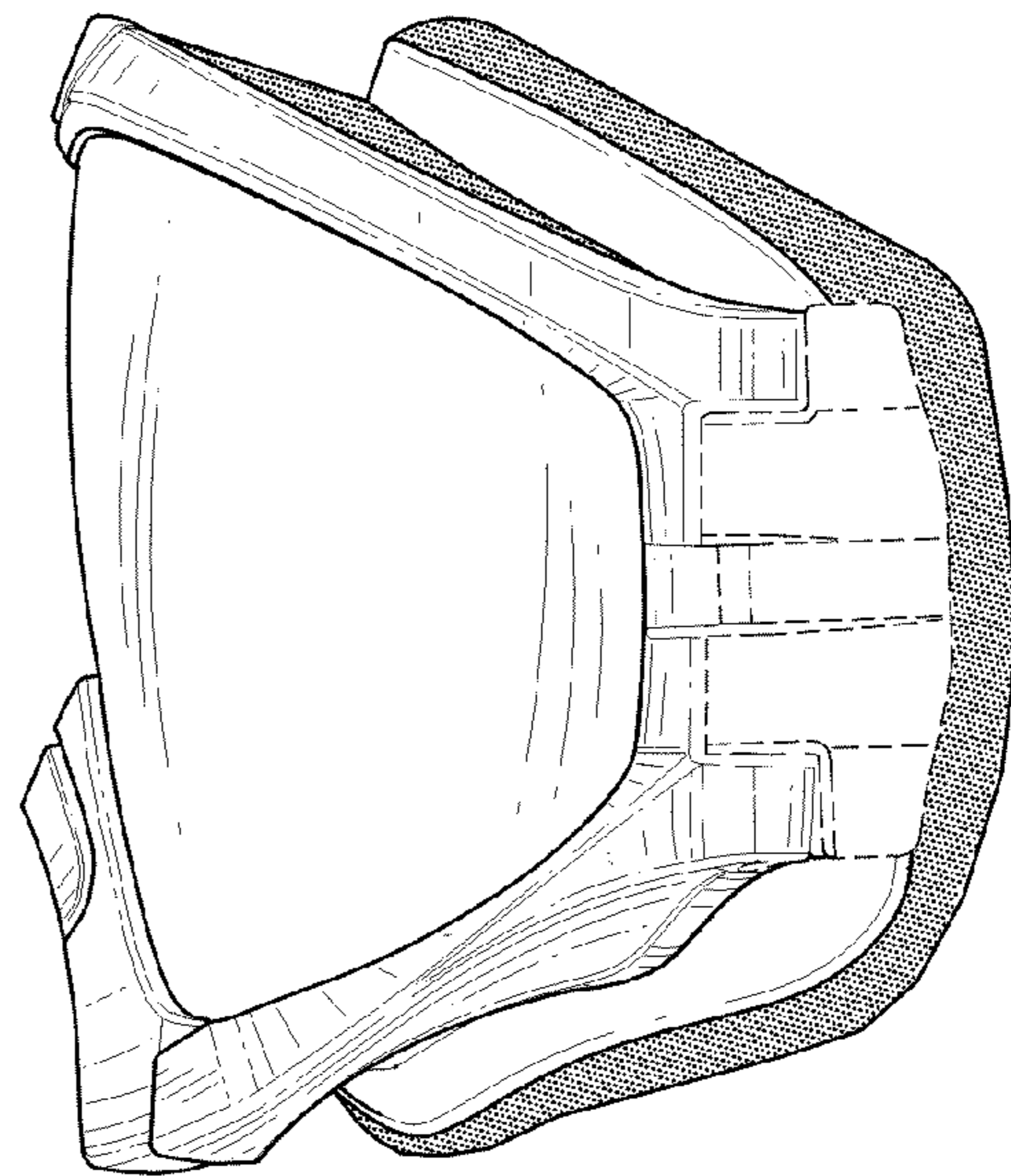


FIG. 5

FIG. 6

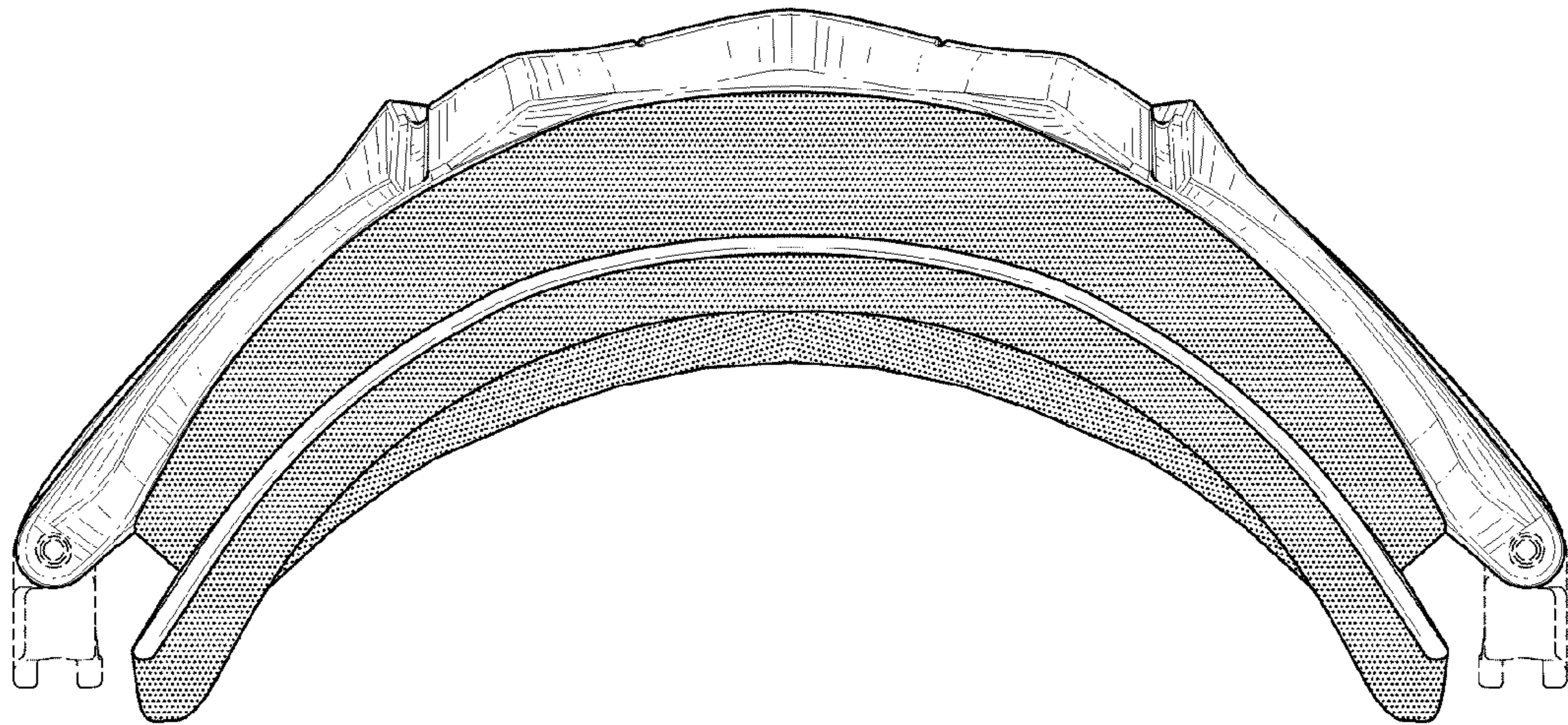
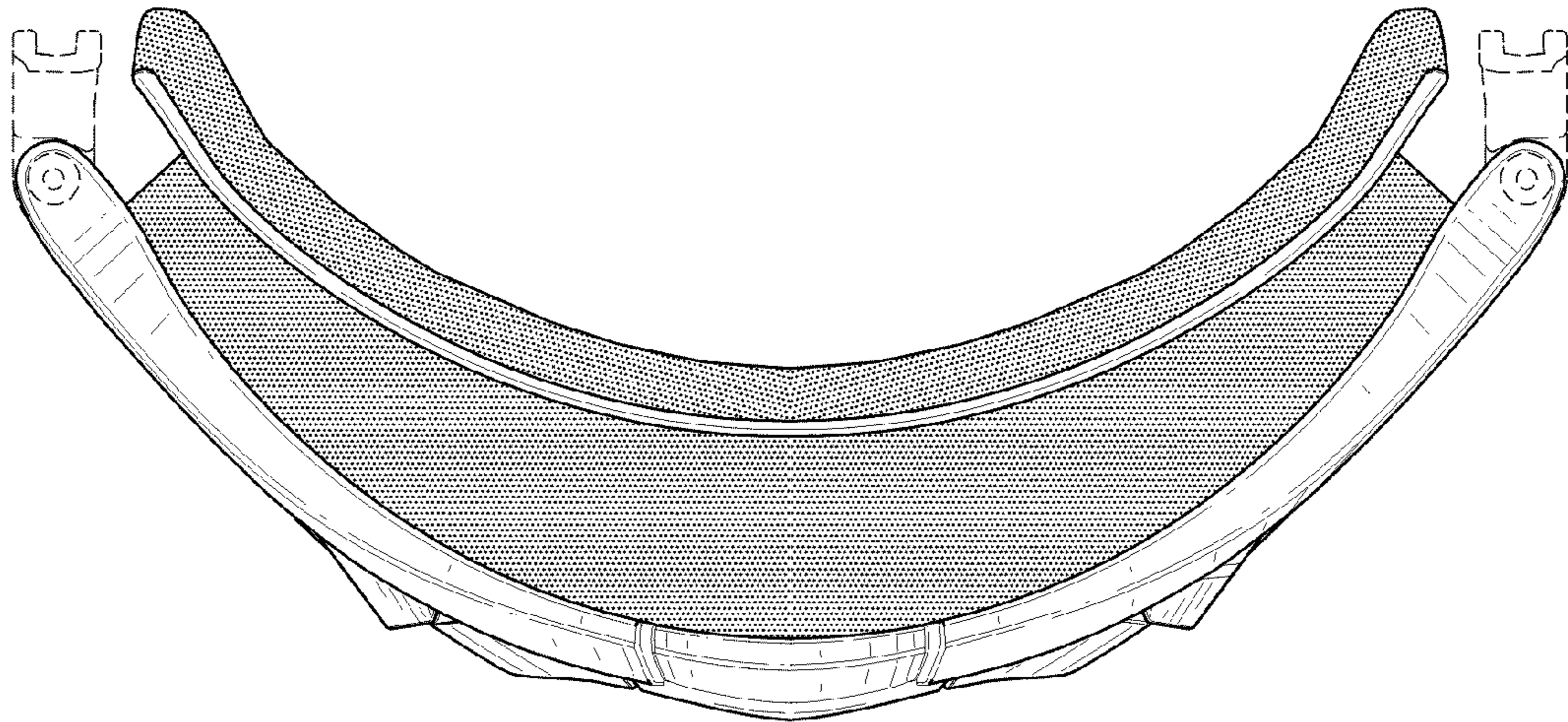


FIG. 7

UNITED STATES PATENT AND TRADEMARK OFFICE
CERTIFICATE OF CORRECTION

PATENT NO. : D649,577 S
APPLICATION NO. : 29/383480
DATED : November 29, 2011
INVENTOR(S) : Chris Goodman and Hans Moritz

Page 1 of 1

It is certified that error appears in the above-identified patent and that said Letters Patent is hereby corrected as shown below:

Title Page (Item 75) Inventors, Line 2, change "Mortiz," to --Moritz,--.

Signed and Sealed this
Seventeenth Day of July, 2012

A handwritten signature in black ink that reads "David J. Kappos". The signature is written in a cursive style with a large initial 'D' and 'K'.

David J. Kappos
Director of the United States Patent and Trademark Office