



US00D649575S

(12) **United States Design Patent**
Hanson-Abbott

(10) **Patent No.:** **US D649,575 S**
(45) **Date of Patent:** **** Nov. 29, 2011**

(54) **CAMERA MONITOR SCREEN**

(75) Inventor: **Philip Hanson-Abbott**, South Darenth (GB)

(73) Assignee: **Brigade Electronics Plc**, South Darenth (GB)

(**) Term: **14 Years**

(21) Appl. No.: **29/352,931**

(22) Filed: **Dec. 30, 2009**

(30) **Foreign Application Priority Data**

Sep. 4, 2009 (WO) 511727601

(51) **LOC (9) Cl.** **16-05**

(52) **U.S. Cl.** **D16/219**

(58) **Field of Classification Search** D14/125-129;
D16/200-203, 208, 218, 219; 348/373-375;
358/906; 396/535, 540

See application file for complete search history.

(56) **References Cited**

U.S. PATENT DOCUMENTS

D483,783 S * 12/2003 Yoshida D16/202
D489,746 S * 5/2004 Ogura D16/219
6,788,894 B2 * 9/2004 Suzuki et al. 396/535
D504,452 S * 4/2005 Yoshida D16/219
D518,004 S 3/2006 Peng

D557,309 S * 12/2007 Shimizu D16/219
D557,312 S * 12/2007 Katayama D16/219
D564,991 S 3/2008 Vitito
D596,595 S 7/2009 Messner
D597,980 S 8/2009 Vitito
D598,406 S 8/2009 Wang
D608,315 S 1/2010 Mitsuhashi
D608,746 S 1/2010 Tu
D627,749 S 11/2010 Mitsuhashi
2003/0137584 A1 7/2003 Norvell et al.
2004/0032543 A1 2/2004 Chang
2004/0189597 A1* 9/2004 Amitani et al. 345/156
2004/0227861 A1 11/2004 Schedivy
2006/0148577 A1 7/2006 Vitito

* cited by examiner

Primary Examiner — Adir Aronovich

(74) *Attorney, Agent, or Firm* — Briggs and Morgan, P.A.

(57) **CLAIM**

The ornamental design for a camera monitor screen, as shown and described.

DESCRIPTION

FIG. 1 is a front, top and right side view perspective view of a camera monitor screen;

FIG. 2 is a front elevational view thereof;

FIG. 3 is a right side elevational view thereof;

FIG. 4 is a bottom plan view thereof;

FIG. 5 is a top plan view thereof;

FIG. 6 is a left side elevational view thereof; and,

FIG. 7 is a rear elevational view thereof.

1 Claim, 1 Drawing Sheet

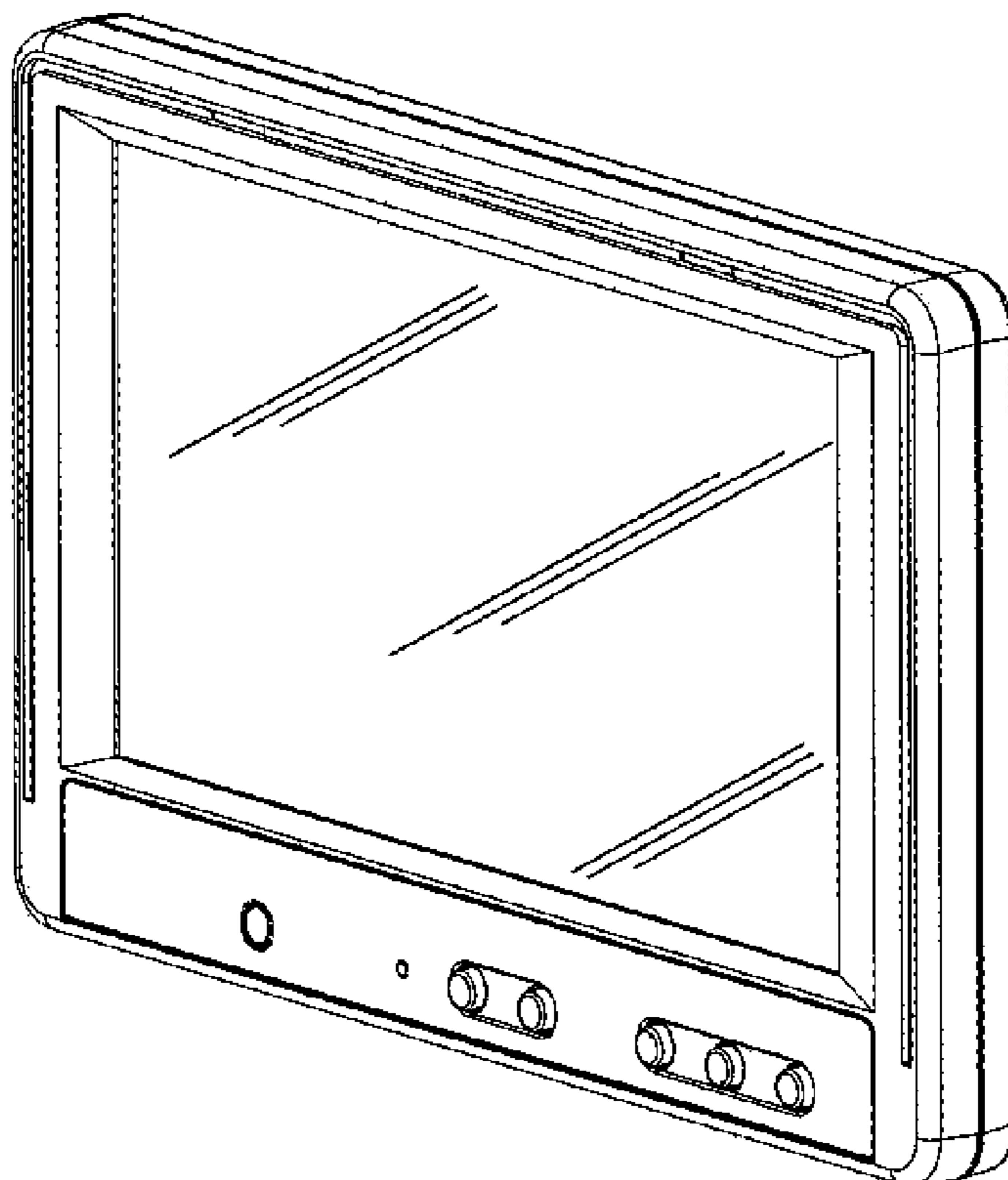


Fig.1

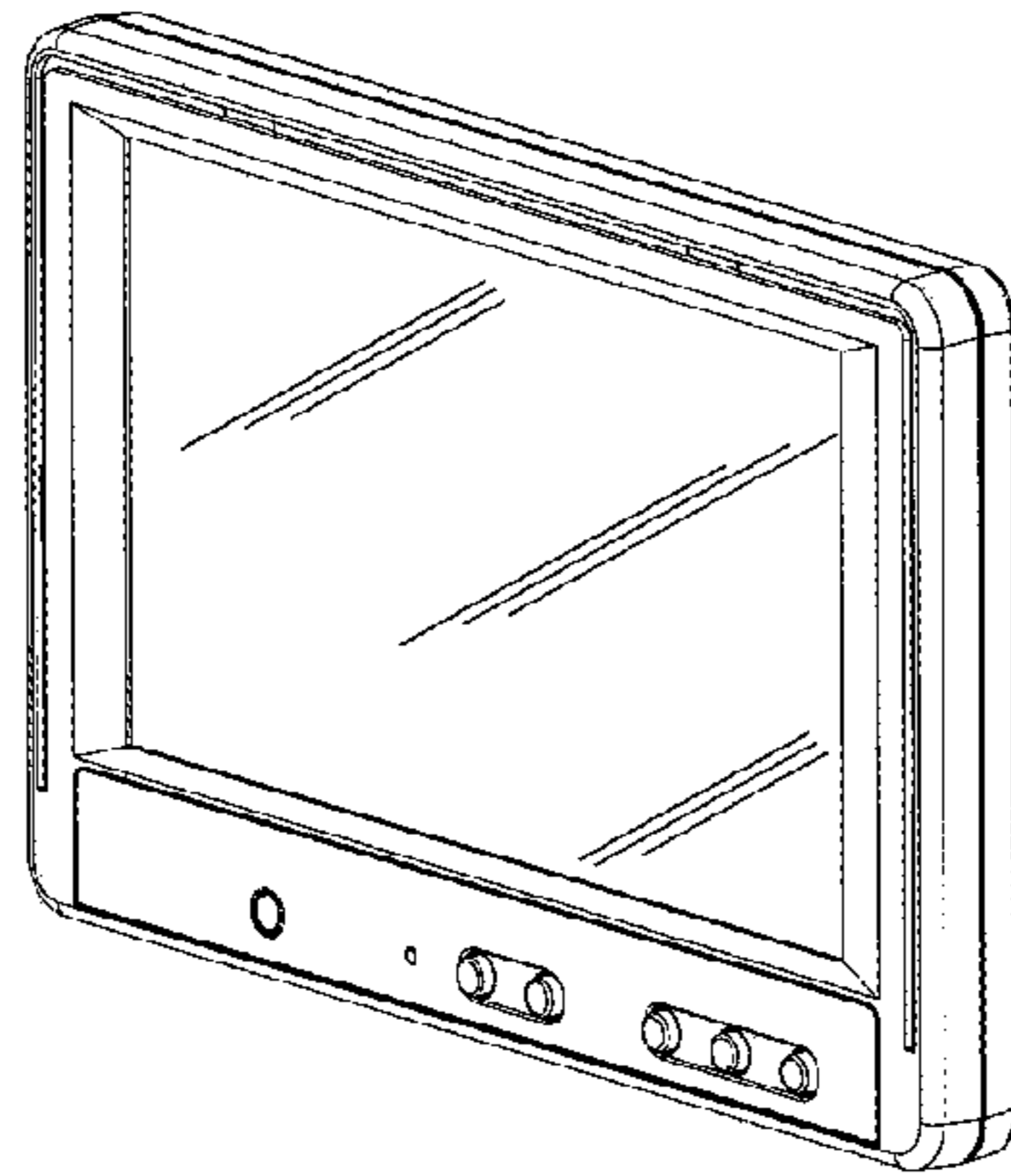


Fig.2

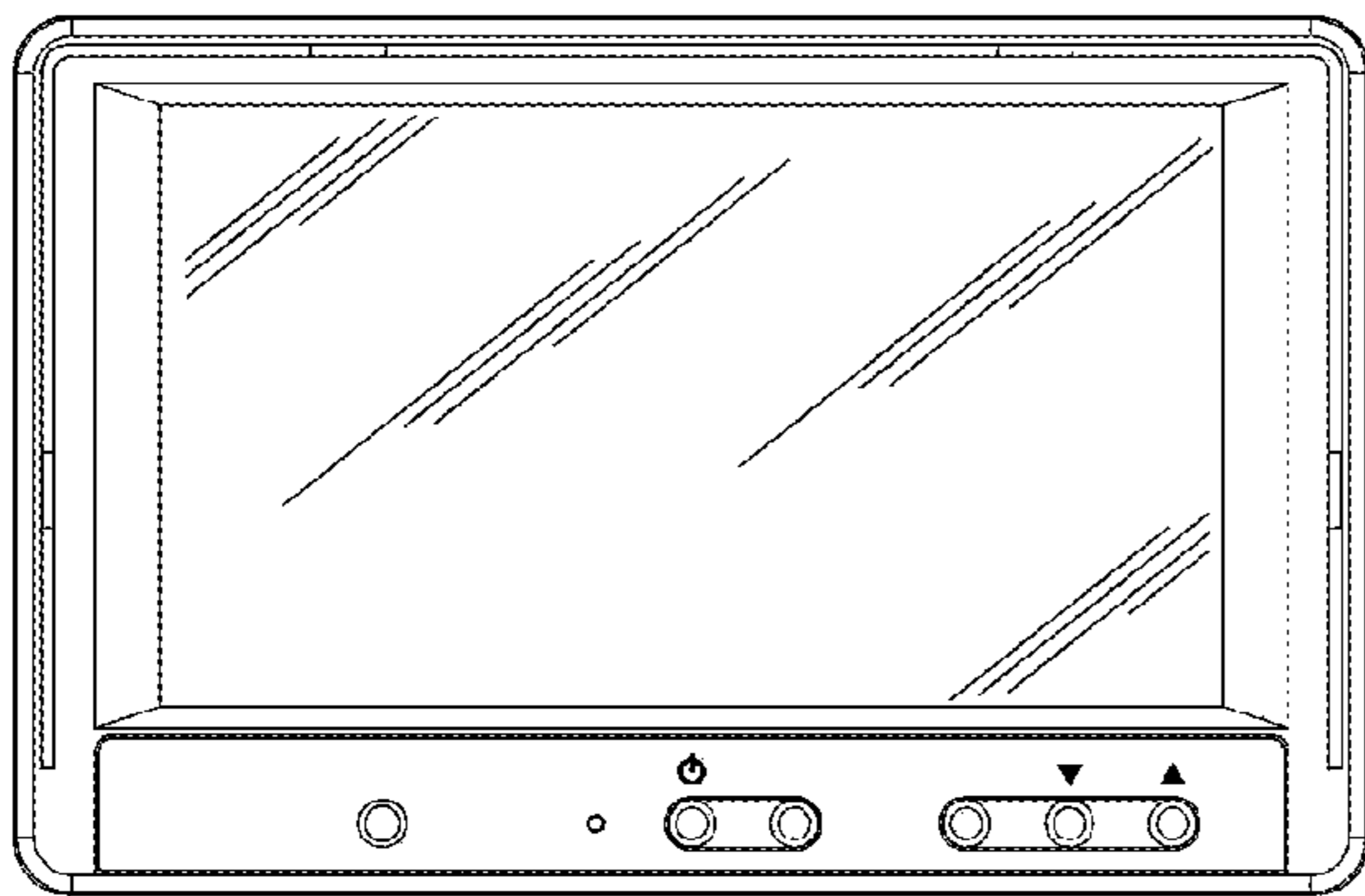


Fig.3

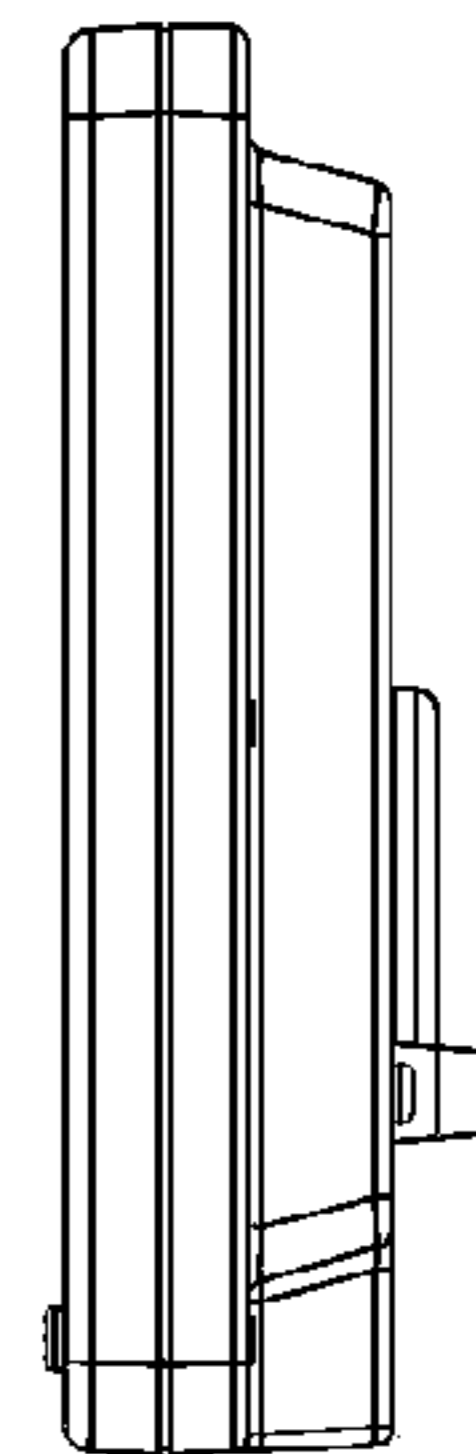


Fig.4

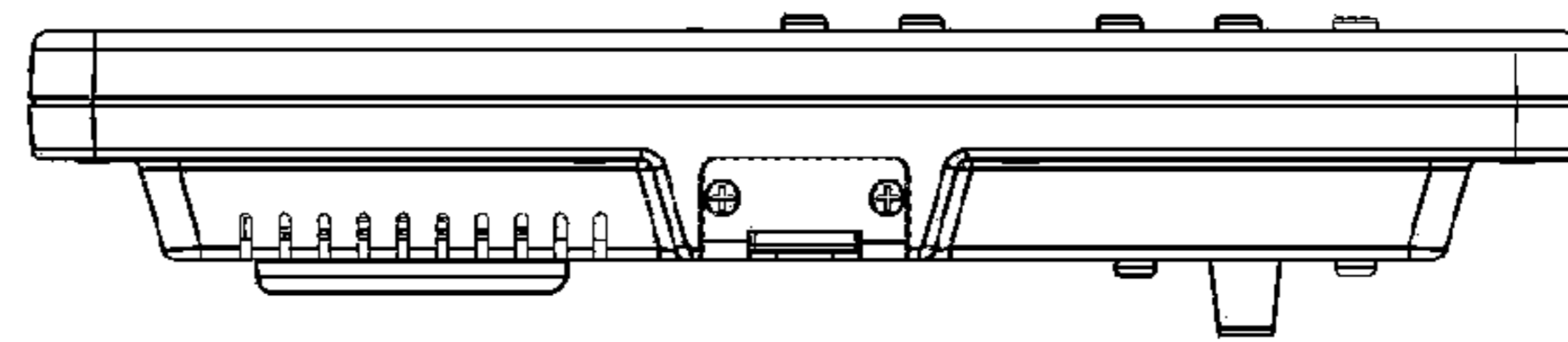


Fig.5

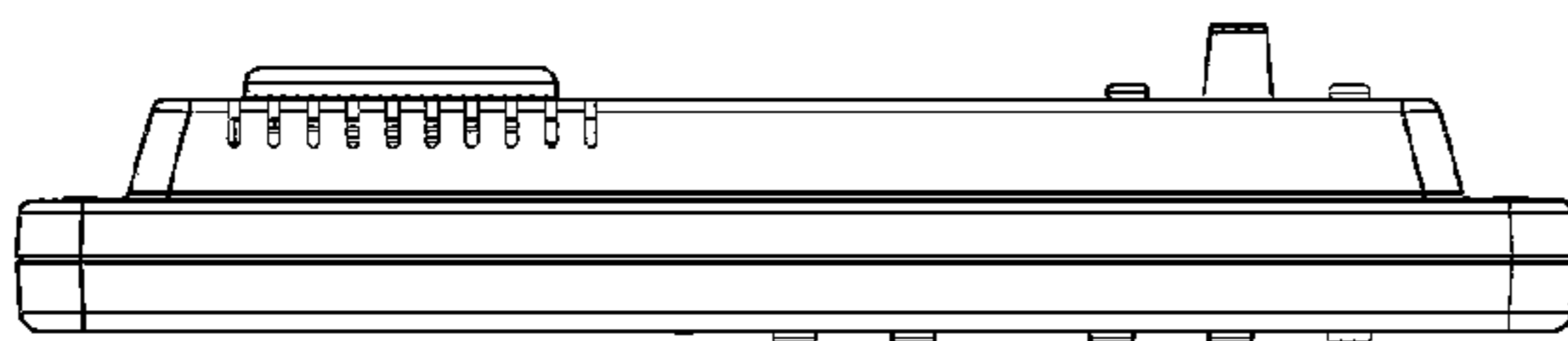


Fig.6

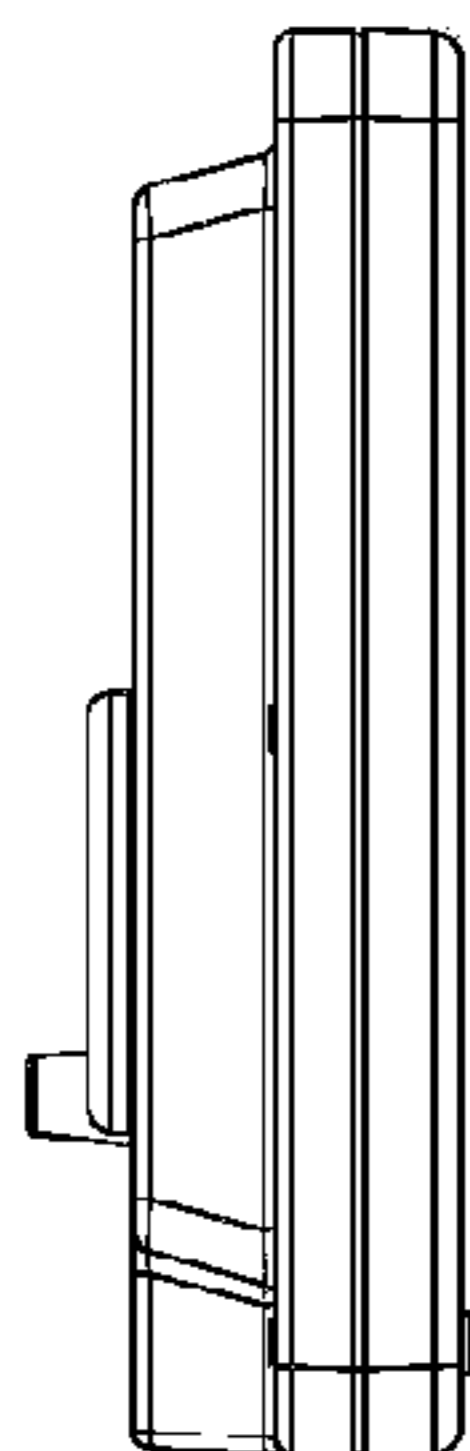


Fig.7

