

US00D649571S

(12) **United States Design Patent**
Cummings et al.

(10) **Patent No.:** **US D649,571 S**

(45) **Date of Patent:** **** Nov. 29, 2011**

(54) **LOW-PROFILE OPTICAL MOUNTING ASSEMBLY**

(75) Inventors: **Thomas A Cummings**, Jackson, MI (US); **Byung J. Chang**, Ann Arbor, MI (US)

(73) Assignee: **General Scientific Corporation**, Ann Arbor, MI (US)

(**) Term: **14 Years**

(21) Appl. No.: **29/388,546**

(22) Filed: **Mar. 30, 2011**

Related U.S. Application Data

(60) Continuation of application No. 12/870,957, filed on Aug. 30, 2010, which is a division of application No. 11/449,244, filed on Jun. 8, 2006, now Pat. No. 7,791,798.

(51) **LOC (9) Cl.** **16-06**

(52) **U.S. Cl.** **D16/136**

(58) **Field of Classification Search** D16/130, D16/131, 133, 135, 136, 219, 220, 132; 359/411, 359/815, 393, 524; 248/177.1, 298.1; 352/243, 352/131; 250/214 VT, 330; 313/51
See application file for complete search history.

(56) **References Cited**

U.S. PATENT DOCUMENTS

2,659,266	A *	11/1953	Swisher	351/227
2,933,992	A *	4/1960	Bushnell et al.	396/432
3,055,283	A *	9/1962	Suzuki	396/432
D236,232	S *	8/1975	Heinerman	D16/136
3,971,933	A *	7/1976	Adamson, Jr.	250/214 VT
D266,255	S *	9/1982	Burbo et al.	D16/133

4,670,912	A *	6/1987	Hart	2/422
4,704,000	A	11/1987	Pekar et al.		
D296,337	S *	6/1988	Caplan	D16/133
4,865,438	A *	9/1989	Wada	351/158
4,987,608	A *	1/1991	Cobb	2/6.2
5,179,735	A *	1/1993	Thomanek	2/422
5,220,459	A *	6/1993	Ichikawa et al.	359/811
D352,727	S *	11/1994	Dor	D16/136
5,361,162	A *	11/1994	Goebel	359/411
5,381,263	A	1/1995	Nowak et al.		
5,446,507	A *	8/1995	Chang	351/158
5,541,767	A *	7/1996	Murphy et al.	359/399
D390,581	S *	2/1998	Palmer	D16/136
6,019,326	A *	2/2000	Baerwolf et al.	248/177.1
6,081,094	A *	6/2000	Crenshaw et al.	320/114
D446,233	S *	8/2001	Naito	D16/136
6,333,814	B1 *	12/2001	Chang et al.	359/411
6,439,714	B1	8/2002	Cummings		
6,462,894	B1 *	10/2002	Moody	359/815
6,704,141	B1	3/2004	Nowak et al.		
D508,251	S *	8/2005	Tuccinardi et al.	D16/132
7,791,798	B2 *	9/2010	Cummings et al.	359/411

* cited by examiner

Primary Examiner — Paula Greene

(74) *Attorney, Agent, or Firm* — Gifford, Krass, Sprinkle, Anderson & Citkowski, P.C.

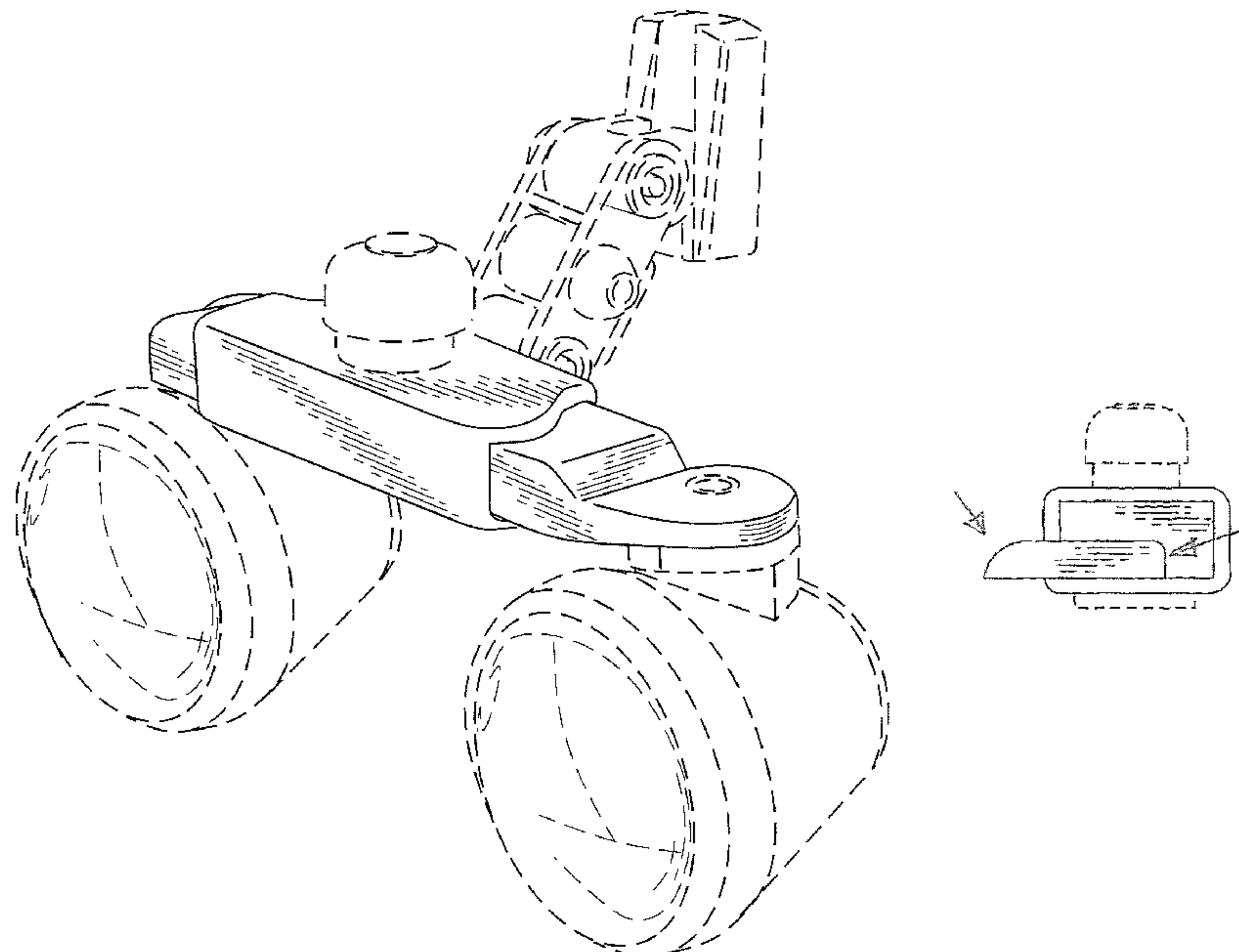
(57) **CLAIM**

The ornamental design for low-profile optical mounting assembly, as shown and described.

DESCRIPTION

FIG. 1 is a perspective view of a low profiled optical mounting assembly showing our new design; FIG. 2 is a front view thereof; FIG. 3 is a top view thereof; and, FIG. 4 is a side view thereof. The broken lines form no part of the claimed design.

1 Claim, 2 Drawing Sheets



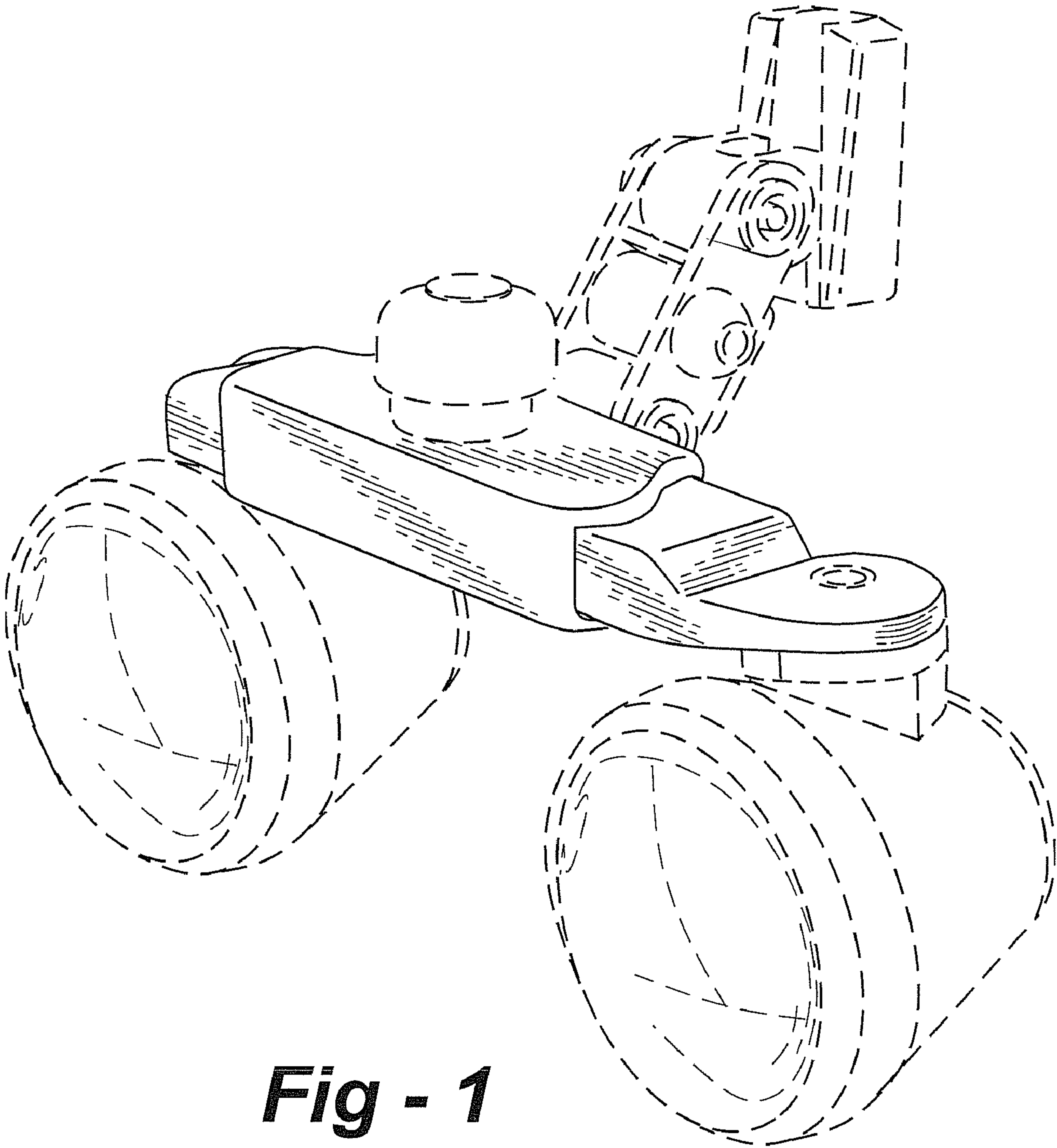


Fig - 1

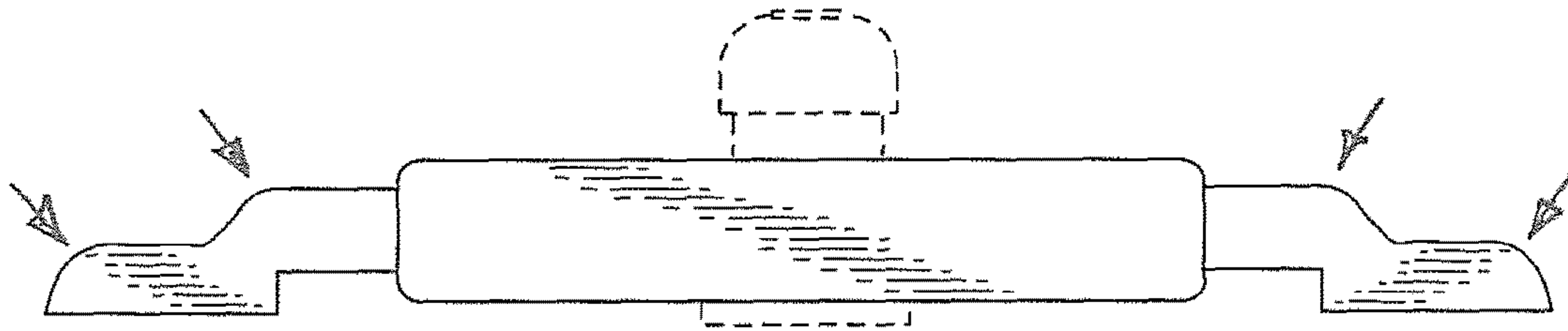


Fig - 2

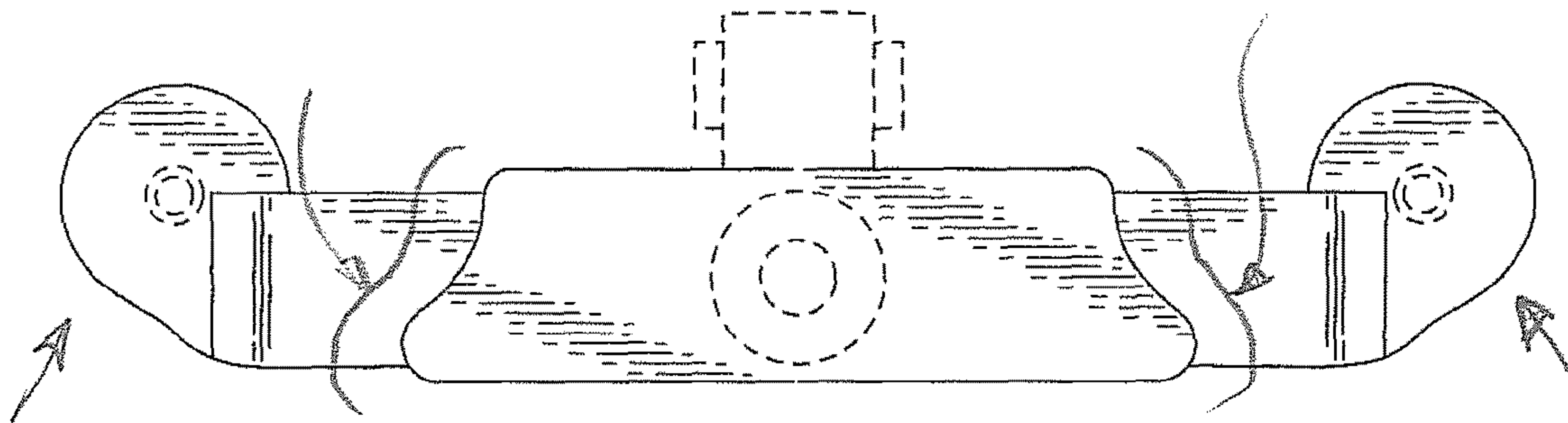


Fig - 3

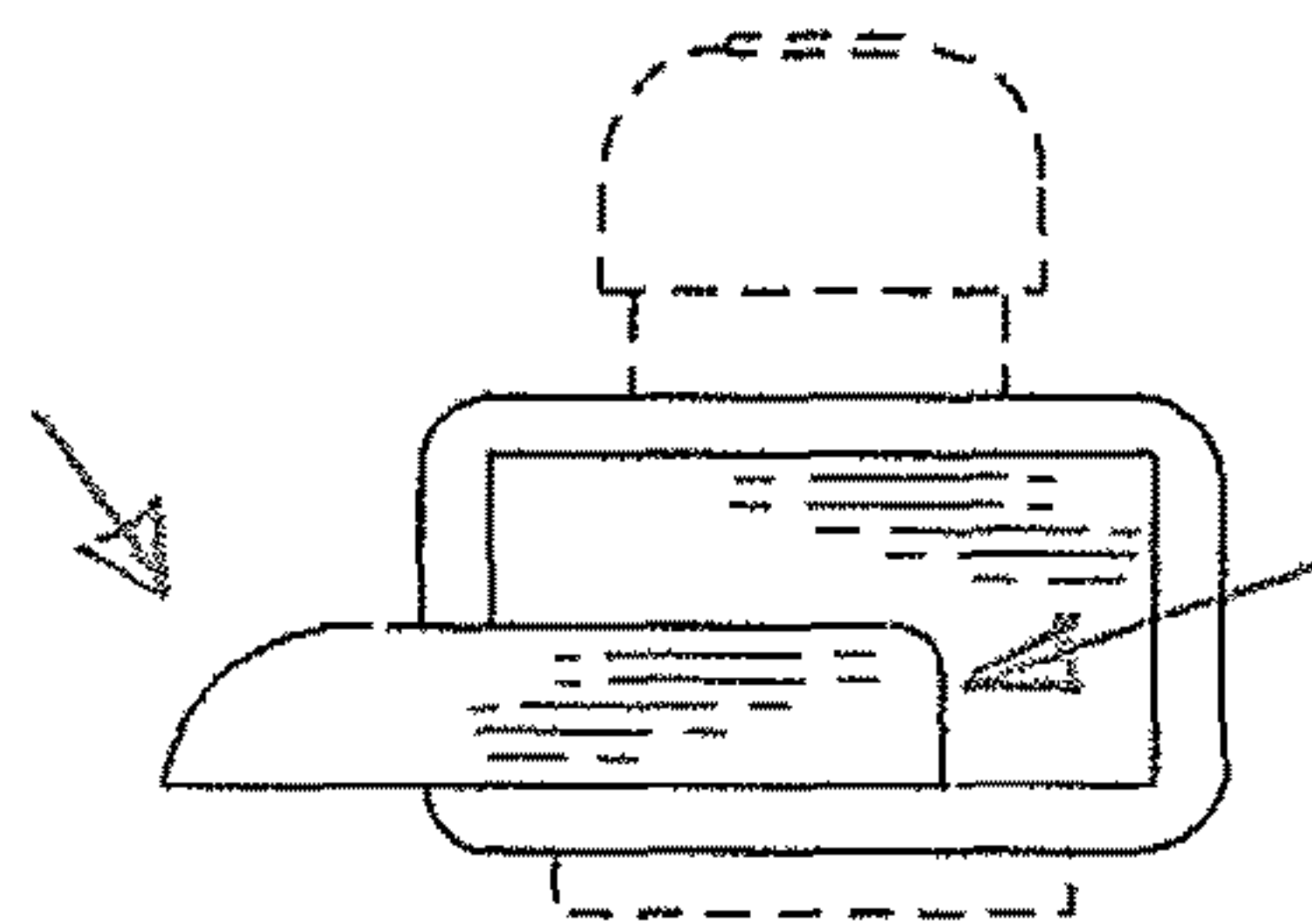


Fig - 4