



US00D649570S

(12) **United States Design Patent**
Chen

(10) **Patent No.:** **US D649,570 S**

(45) **Date of Patent:** **** Nov. 29, 2011**

(54) **SHAFT FOR PACKING FILM**

(76) Inventor: **Chun-Tsai Chen**, Tainan Hsien (TW)

(**) Term: **14 Years**

(21) Appl. No.: **29/358,020**

(22) Filed: **Mar. 22, 2010**

(51) **LOC (9) Cl.** **15-99**

(52) **U.S. Cl.** **D15/145; D9/434**

(58) **Field of Classification Search** D9/434,
D9/455, 456; D8/358, 356; D15/146, 145;
242/614, 606, 600, 580, 579, 570, 370, 264;
222/510, 410, 100

See application file for complete search history.

(56) **References Cited**

U.S. PATENT DOCUMENTS

2,771,220 A * 11/1956 Claps 222/100
3,131,881 A * 5/1964 Kluttz 242/606
4,248,392 A * 2/1981 Parry 242/422.1
D299,654 S * 1/1989 Goldstein D15/145

D357,357 S * 4/1995 Ferber D3/315
D367,660 S * 3/1996 Weston D15/145
D420,025 S * 2/2000 Gabriele D15/146
D631,344 S * 1/2011 Michitsuji et al. D9/434

* cited by examiner

Primary Examiner — Susan Bennett Hattan

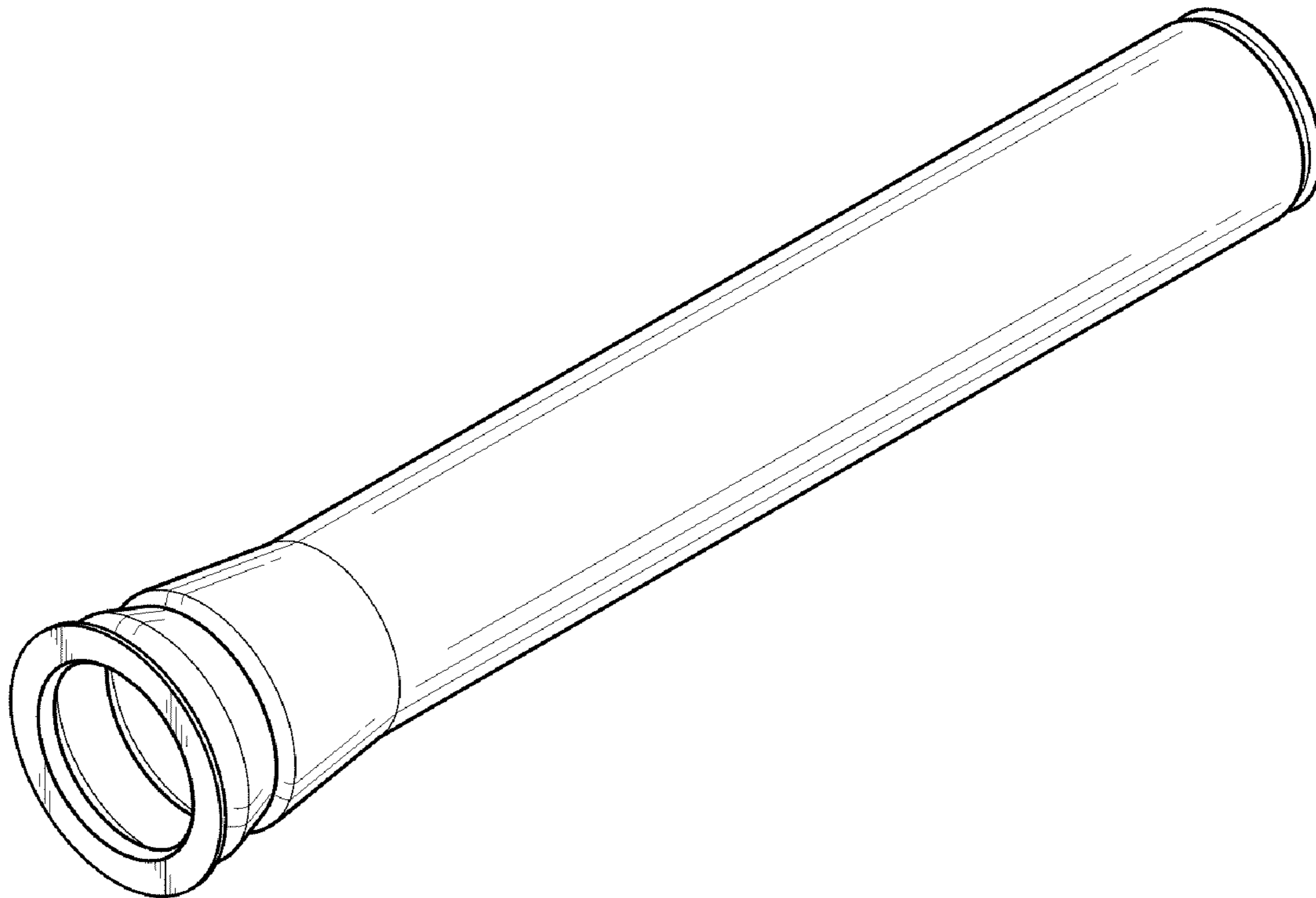
(57) **CLAIM**

The ornamental design for a shaft for packing film, as shown and described.

DESCRIPTION

FIG. 1 is a perspective view of a shaft for packing film showing my design;
FIG. 2 is a front elevational view thereof;
FIG. 3 is a rear elevational view thereof;
FIG. 4 is a left side elevational view thereof;
FIG. 5 is a right side elevational view thereof;
FIG. 6 is a top plan view thereof; and,
FIG. 7 is a bottom plan view.

1 Claim, 4 Drawing Sheets



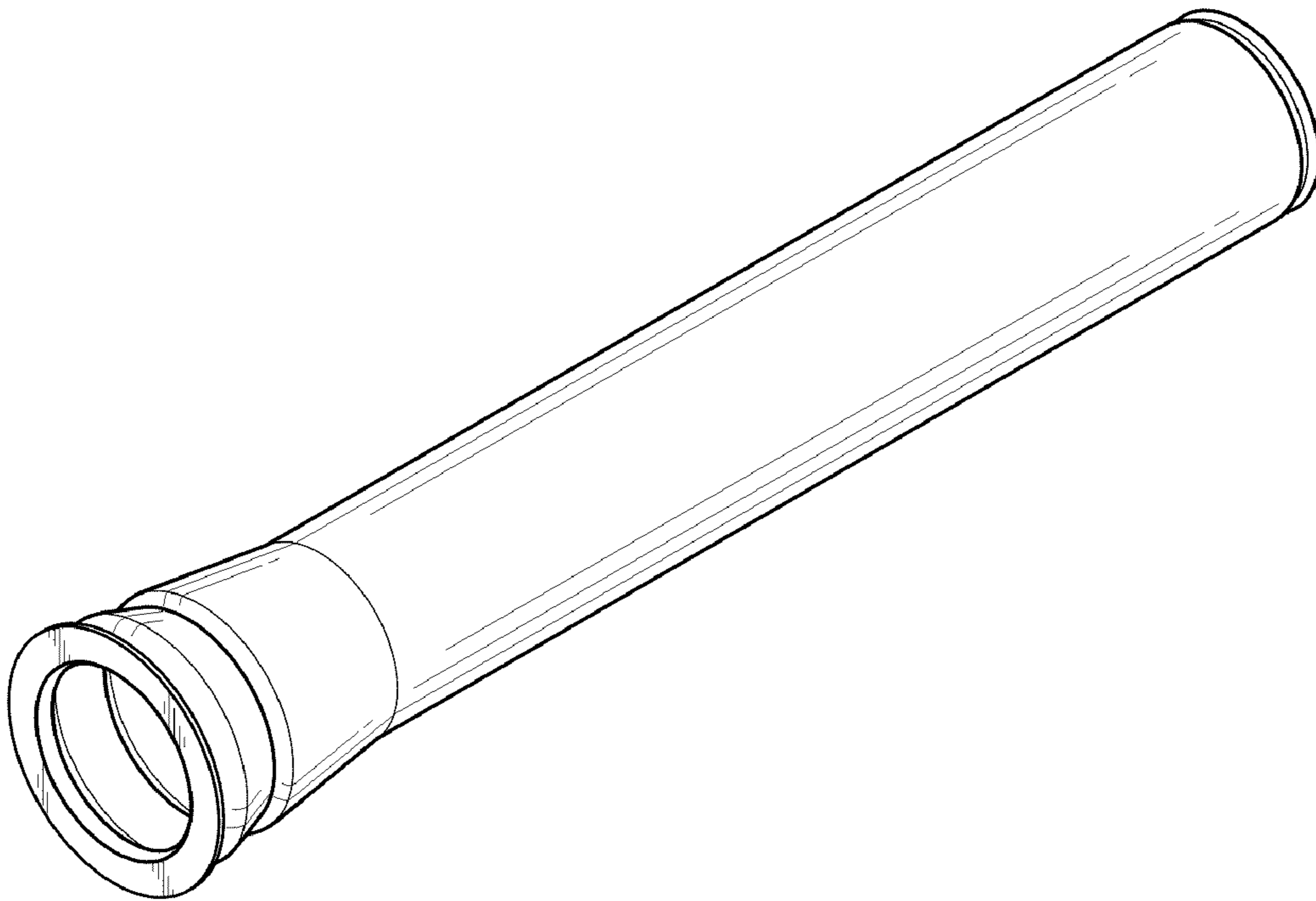


FIG.1

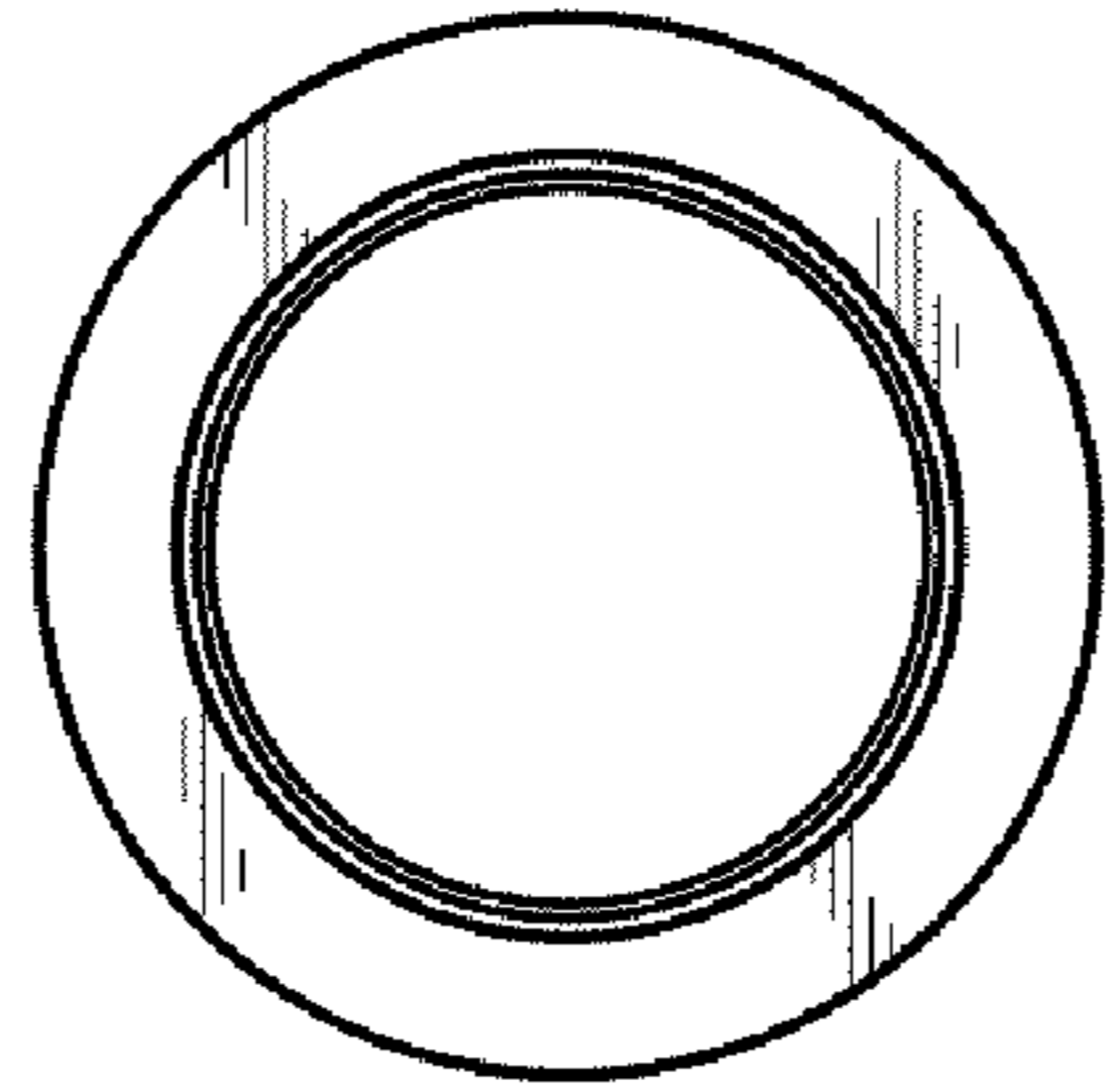


FIG. 2

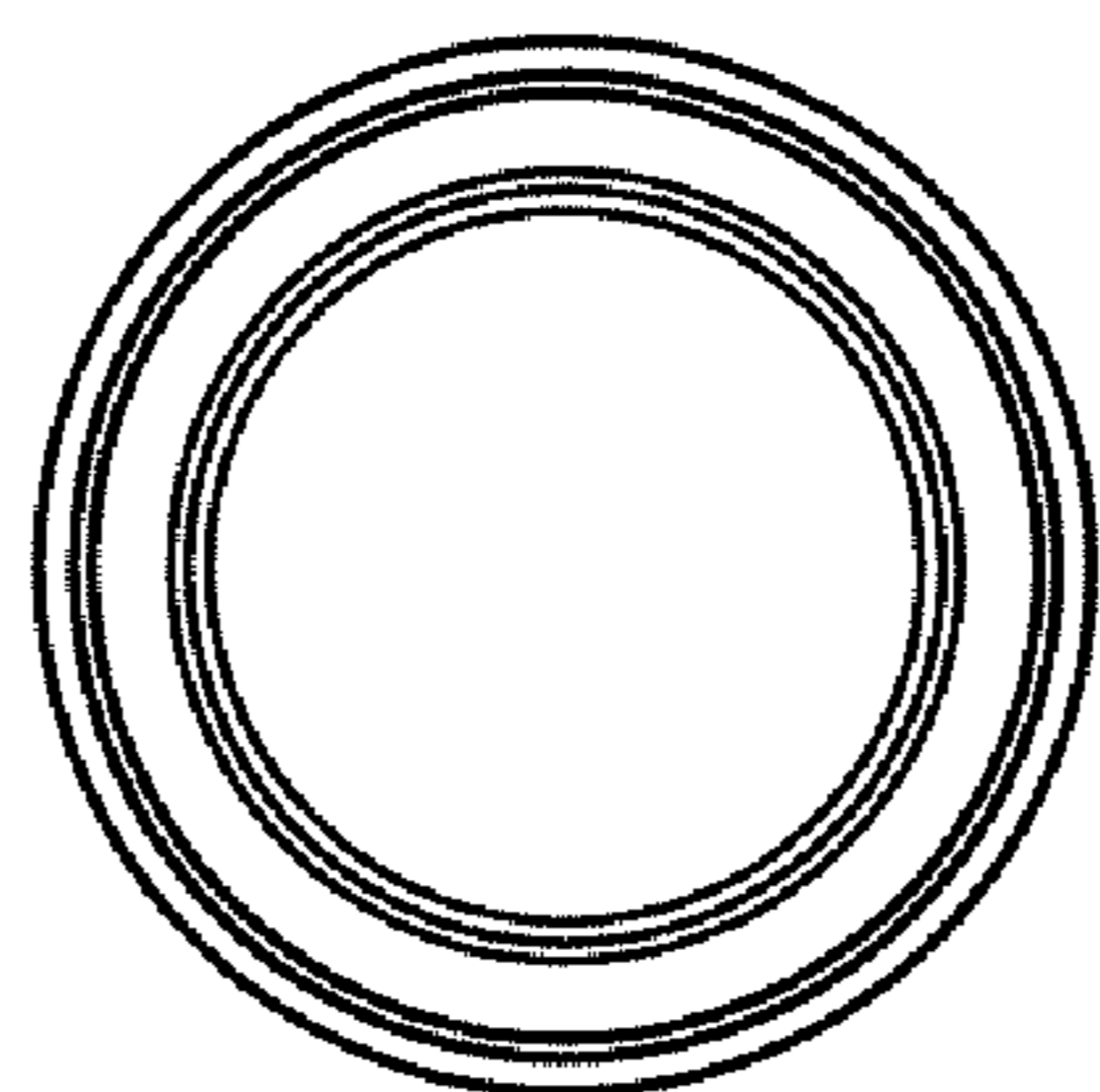


FIG. 3

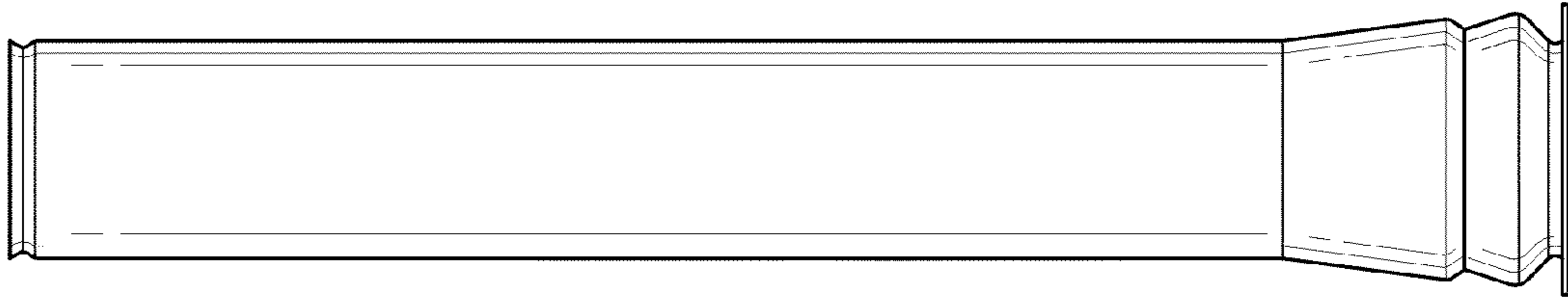


FIG. 4

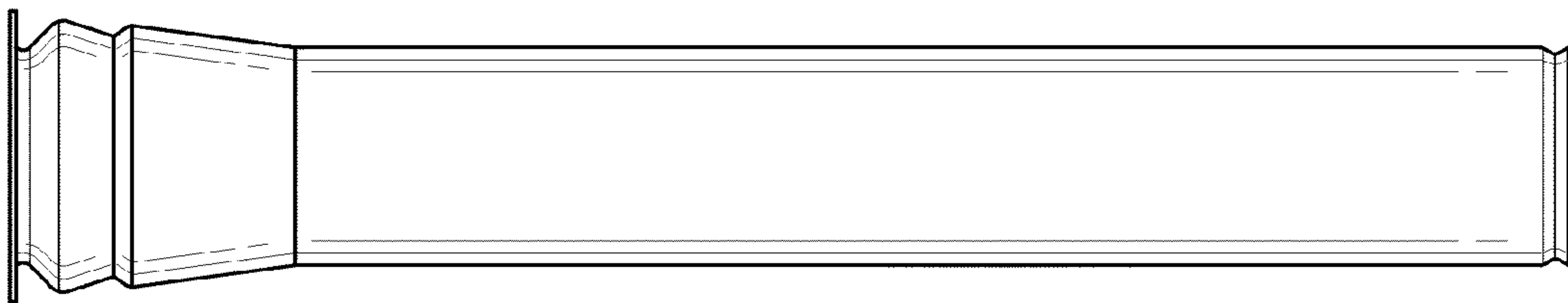


FIG. 5

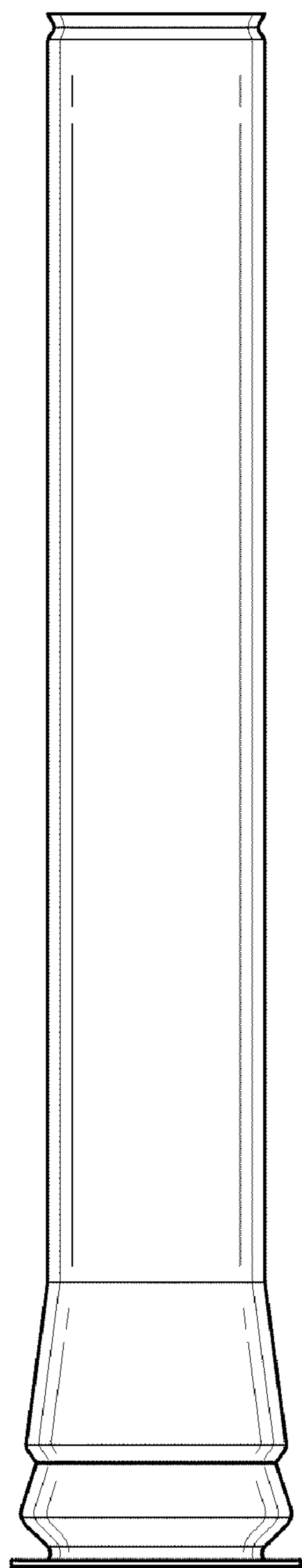


FIG. 6

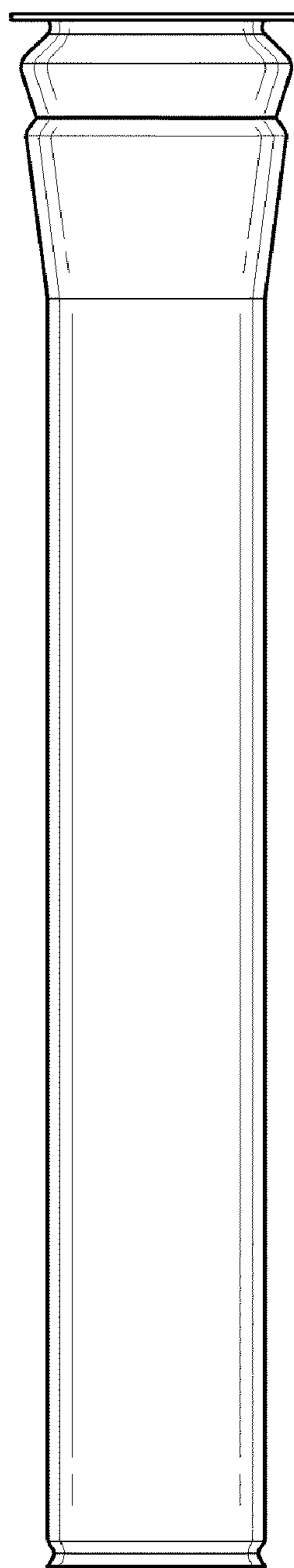


FIG. 7