



US00D649568S

(12) **United States Design Patent**  
**Zhou et al.**

(10) **Patent No.:** **US D649,568 S**

(45) **Date of Patent:** **\*\* Nov. 29, 2011**

(54) **MITER SAW**

(75) Inventors: **Haibo Zhou**, Nanjing (CN); **Kesong Xu**,  
Nanjing (CN); **Yun Huang**, Nanjing  
(CN); **Biao Zhou**, Nanjing (CN)

(73) Assignee: **Chervon Limited**, Wanchai (HK)

(\*\*) Term: **14 Years**

(21) Appl. No.: **29/381,751**

(22) Filed: **Dec. 22, 2010**

(30) **Foreign Application Priority Data**

Jun. 25, 2010 (CN) ..... 2010 3 0220346

(51) **LOC (9) Cl.** ..... **15-09**

(52) **U.S. Cl.** ..... **D15/133**

(58) **Field of Classification Search** ..... D8/61,  
D8/64-69; D15/133, 134; 30/377-378,  
30/388-391; 83/377, 378, 388, 397, 468.3,  
83/469

See application file for complete search history.

(56) **References Cited**

**U.S. PATENT DOCUMENTS**

D400,215 S \* 10/1998 Price et al. .... D15/133  
D421,267 S \* 2/2000 Price et al. .... D15/133

D459,373 S \* 6/2002 Hollinger et al. .... D15/133  
D520,033 S \* 5/2006 Firth ..... D15/133  
D535,670 S \* 1/2007 Firth ..... D15/133  
D547,338 S \* 7/2007 Firth ..... D15/133  
D608,375 S \* 1/2010 Kokawa et al. .... D15/133  
D623,204 S \* 9/2010 Weusthof ..... D15/133  
D626,159 S \* 10/2010 Jebb ..... D15/133  
2009/0095141 A1 \* 4/2009 Billings et al. .... 83/468.3

\* cited by examiner

*Primary Examiner* — Patricia Palasik

(74) *Attorney, Agent, or Firm* — McDermott Will & Emery  
LLP

(57) **CLAIM**

We claim the ornamental design for a miter saw, as shown and  
described.

**DESCRIPTION**

FIG. 1 is a right side view of a miter saw according to the new  
design.

FIG. 2 is a left side view of the miter saw shown in FIG. 1.

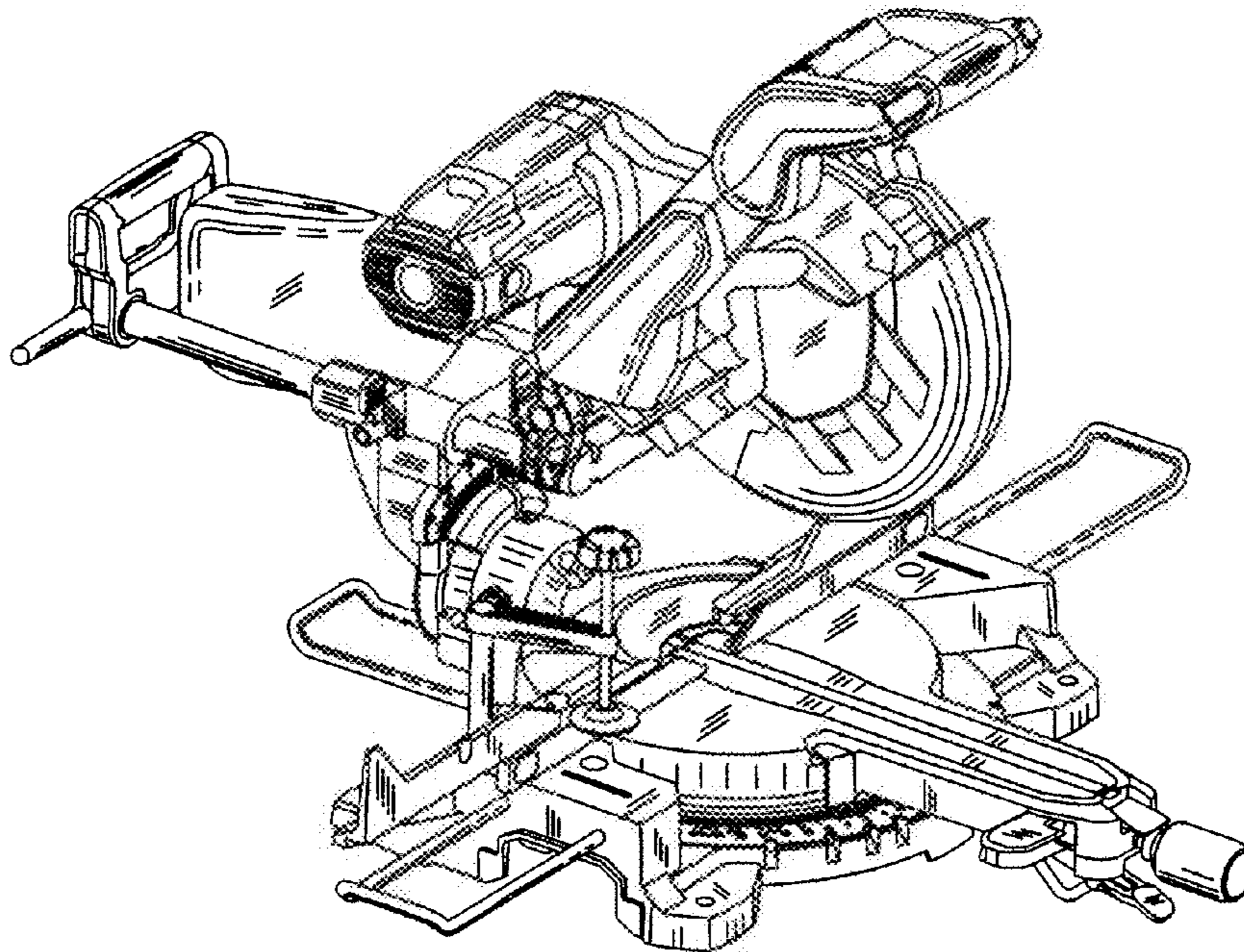
FIG. 3 is a rear view of the miter saw shown in FIG. 1.

FIG. 4 is a front view of the miter saw shown in FIG. 1.

FIG. 5 is a top view of the miter saw shown in FIG. 1; and,

FIG. 6 is a perspective view of the miter saw shown in FIG. 1.

**1 Claim, 6 Drawing Sheets**



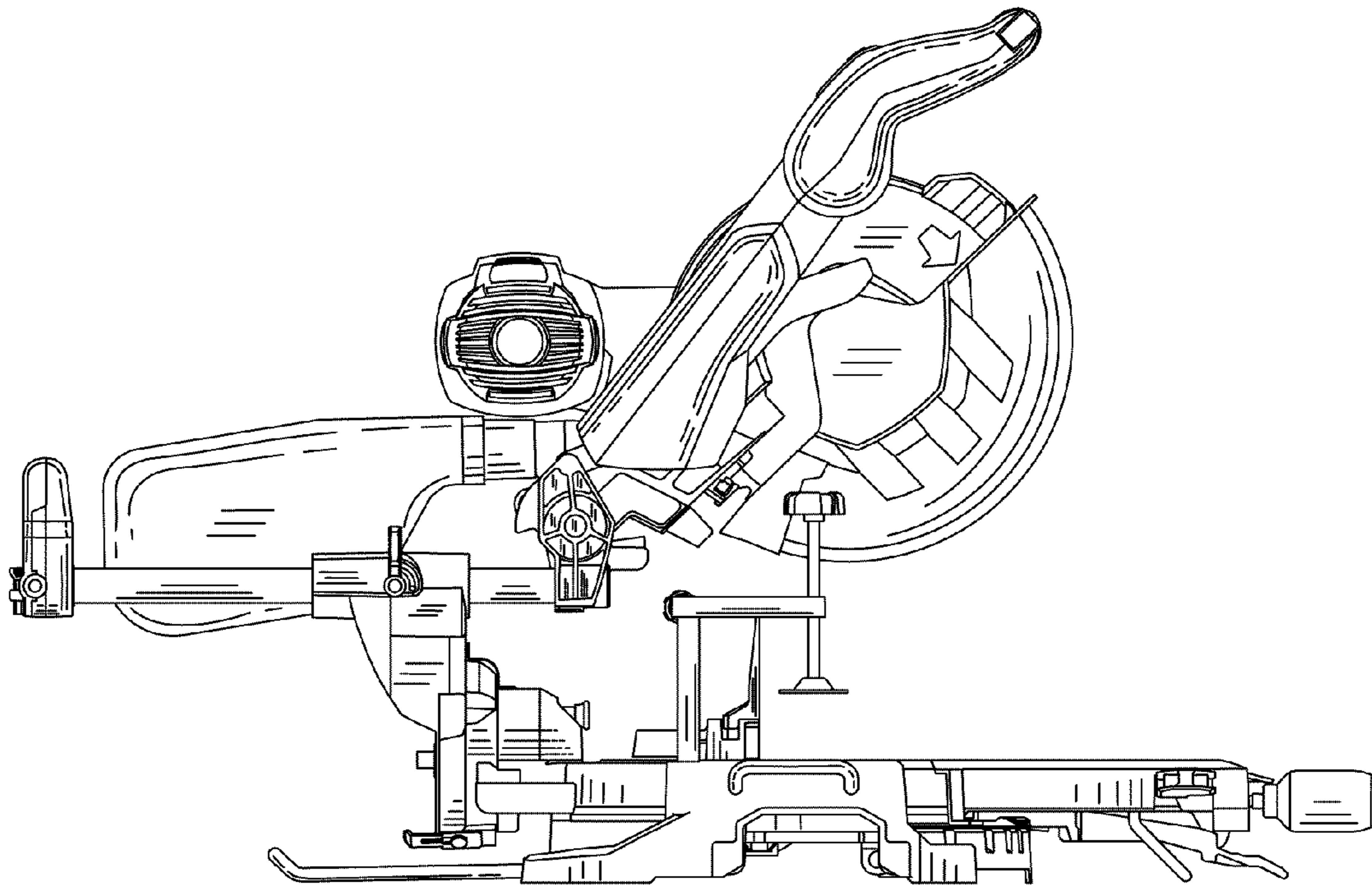


Fig. 1

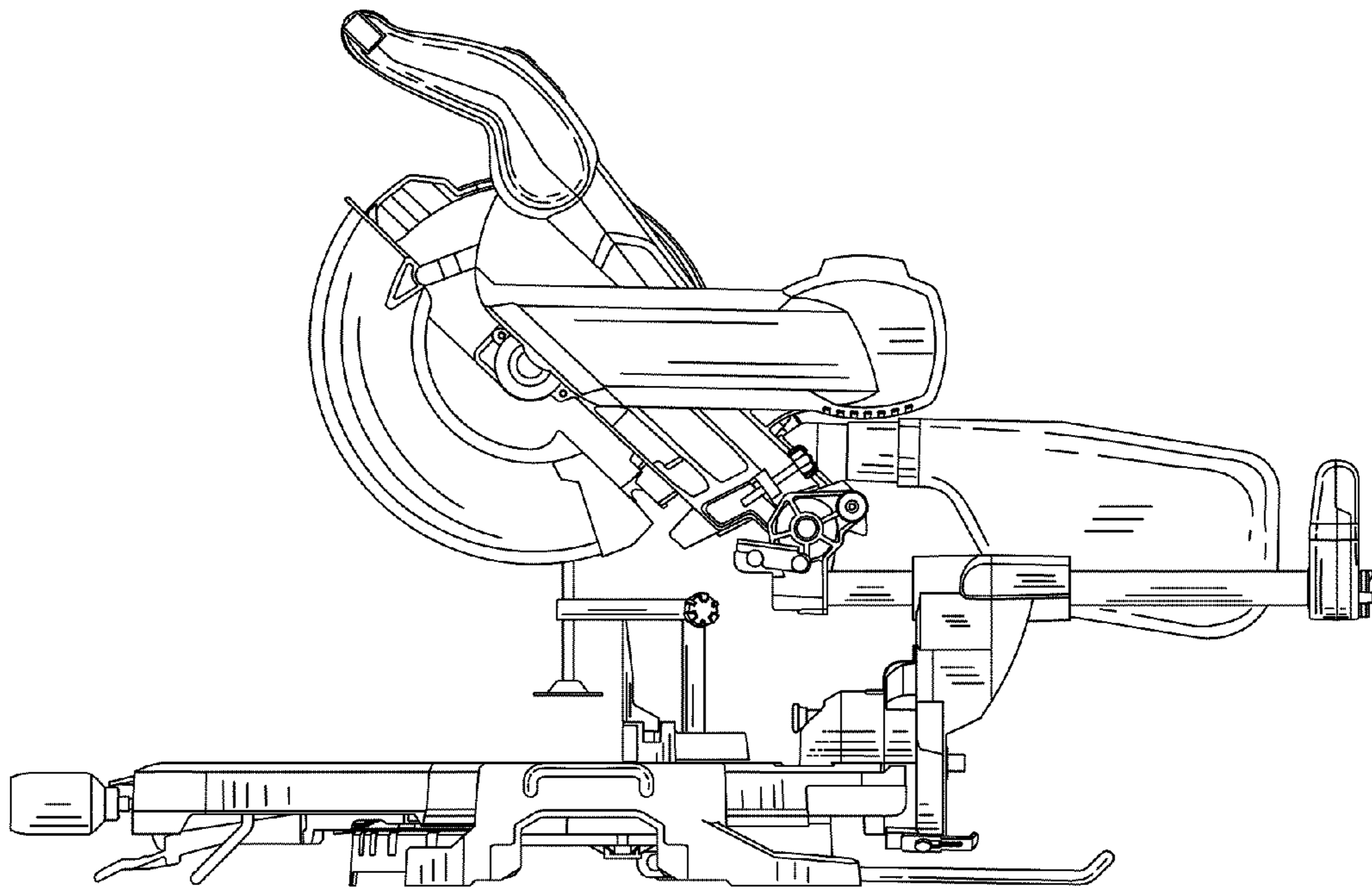


Fig. 2

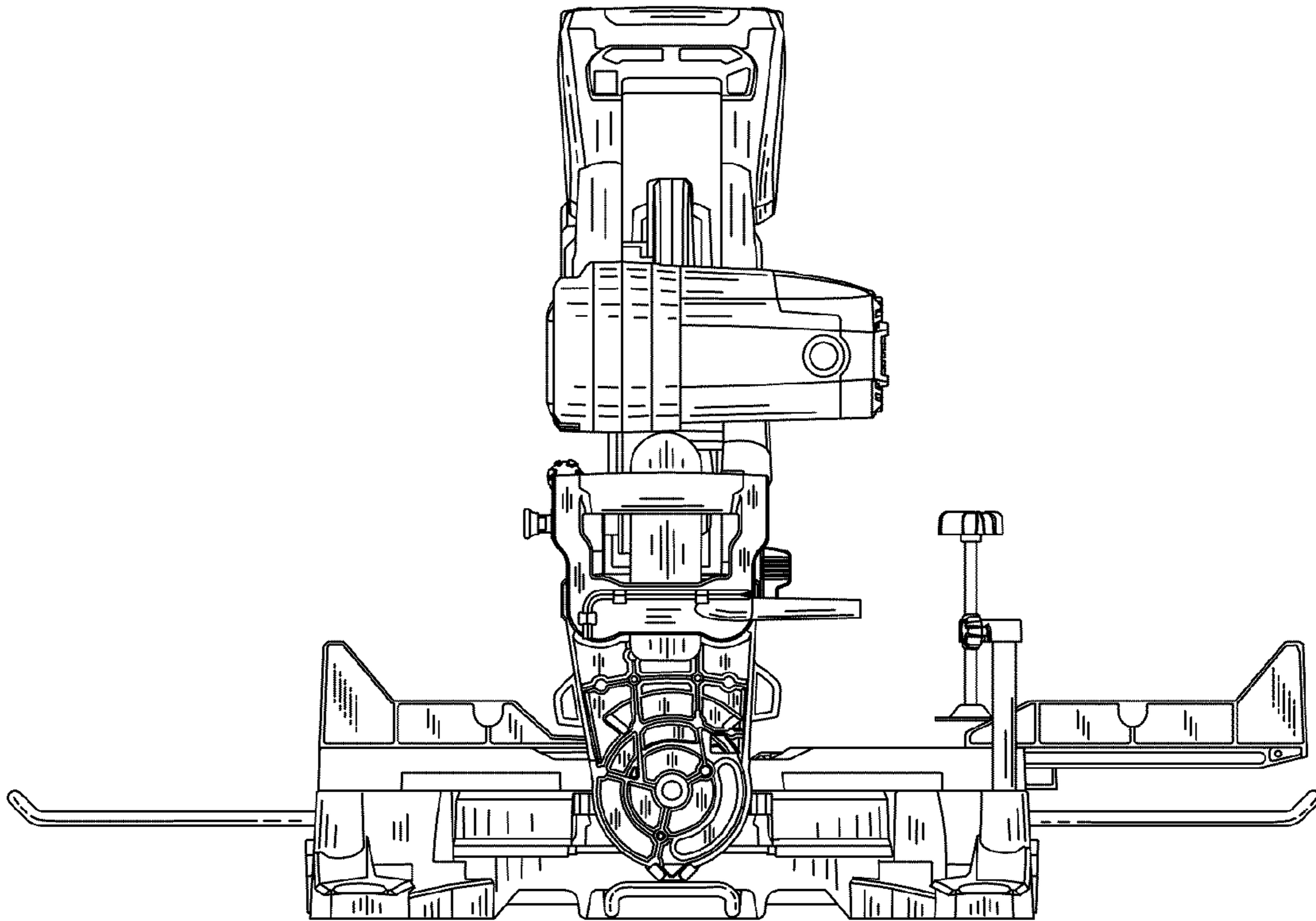


Fig. 3

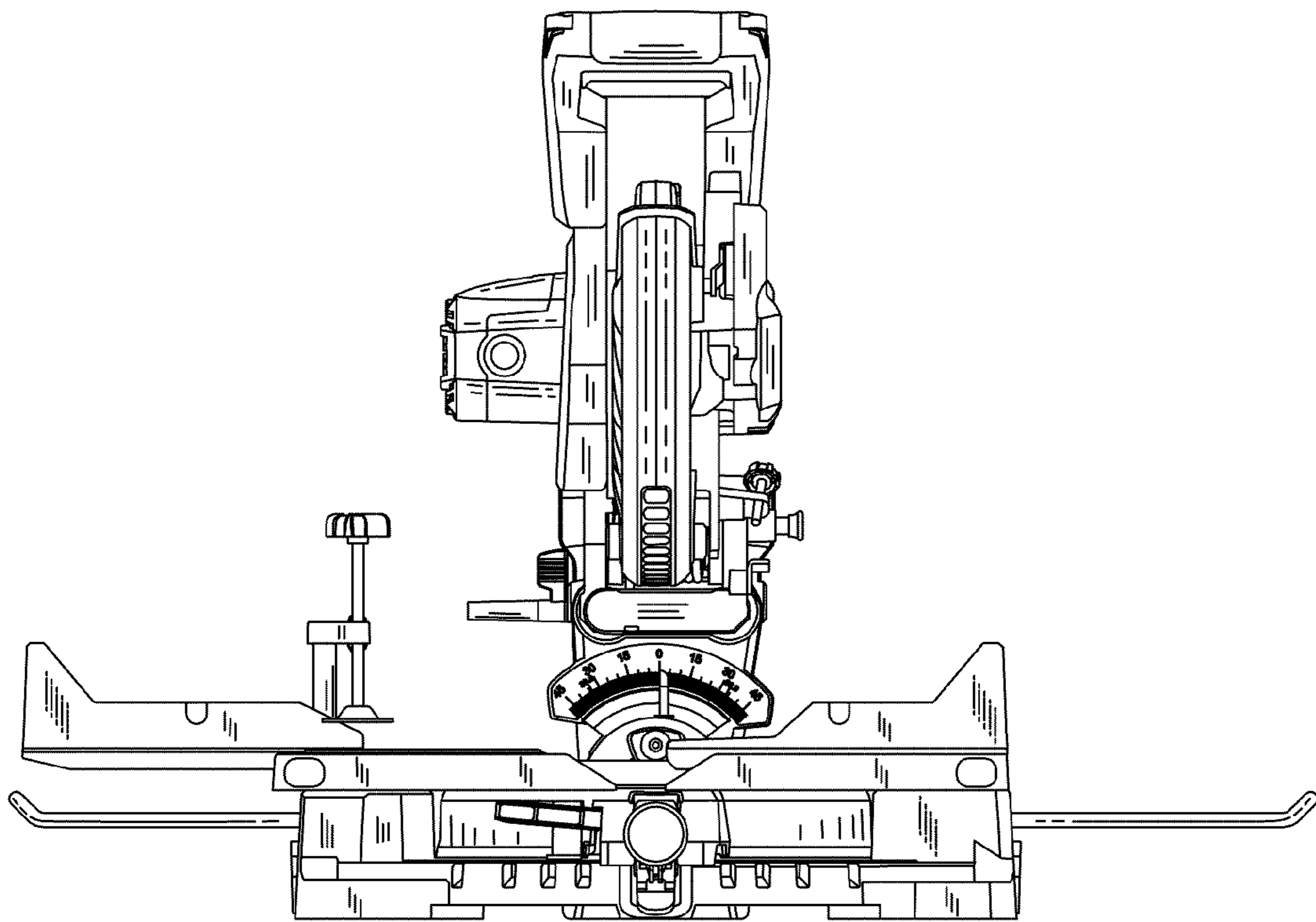


Fig. 4

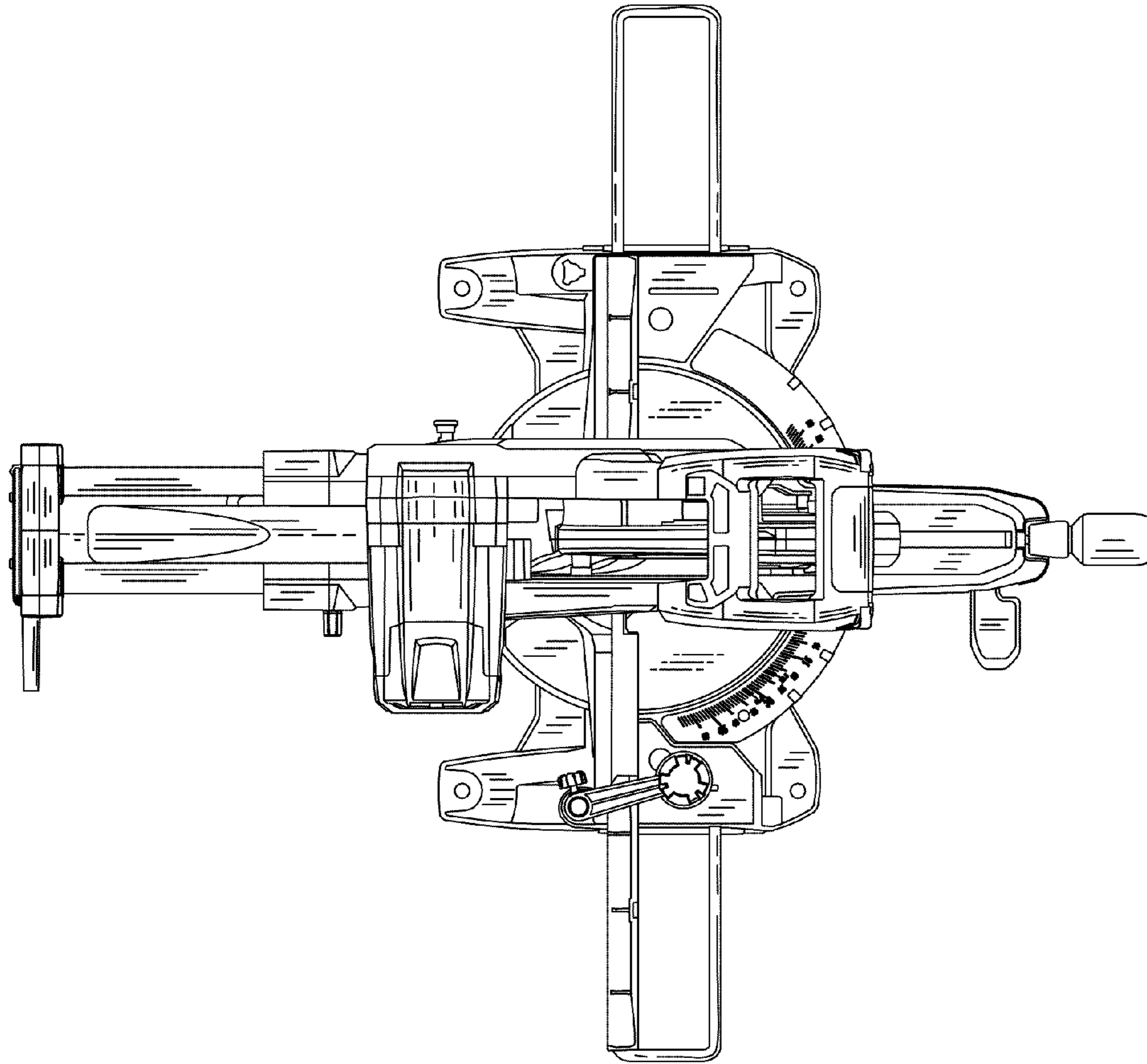


Fig. 5

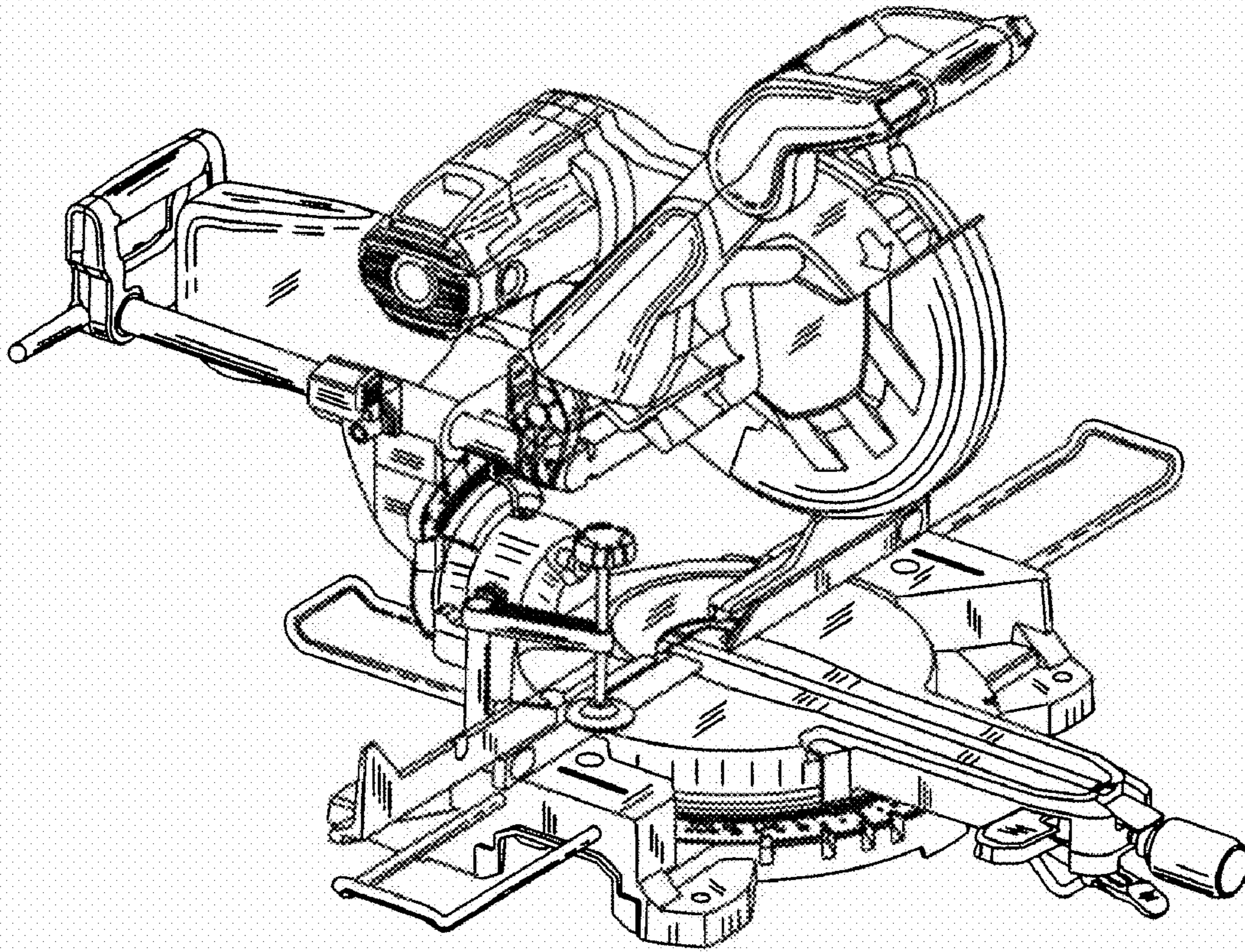


Fig. 6