



US00D649566S

(12) **United States Design Patent**
Bilger et al.

(10) **Patent No.:** **US D649,566 S**

(45) **Date of Patent:** **** Nov. 29, 2011**

(54) **FOOD FREEZER HOUSING**

(74) *Attorney, Agent, or Firm* — Christopher J. Cronin

(75) Inventors: **Stephen Bilger**, Houston, TX (US);
David C. Braithwaite, Houston, TX
(US)

(57) **CLAIM**
The ornamental design for a food freezer housing, as shown
and described.

(73) Assignee: **Air Liquide Industrial U.S. LP**,
Houston, TX (US)

DESCRIPTION

(**) Term: **14 Years**

(21) Appl. No.: **29/358,232**

(22) Filed: **Mar. 24, 2010**

(51) **LOC (9) Cl.** **15-07**

(52) **U.S. Cl.** **D15/81**

(58) **Field of Classification Search** D15/79,
D15/81, 83, 89, 91; 62/239, 308, 356, 376
See application file for complete search history.

FIG. 1 is an isometric view of a food freezer housing in a closed position illustrating my design.
FIG. 2 is a top plan view of a food freezer housing illustrating my design.
FIG. 3 is a side elevation view of a food freezer housing in a closed position illustrating my design.
FIG. 4 is a bottom plan view of a food freezer housing illustrating my design.
FIG. 5 is a front end elevation view of a food freezer housing in a closed position illustrating my design.
FIG. 6 is a back end elevation view of a food freezer housing in a closed position illustrating my design.
FIG. 7 is an isometric view of a food freezer housing in an open position illustrating my design.
FIG. 8 is a side elevation view of a food freezer housing in an open position illustrating my design.
FIG. 9 is a front end elevation view of a food freezer housing in an open position illustrating my design; and,
FIG. 10 is a back end elevation view of a food freezer housing in an open position illustrating my design.
Features illustrated in broken lines are for purposes of illustrating environmental structures which form no part of the design to be patented. Only one side view for each of the open and closed positions is included as the corresponding views for the opposite side is a mirror image.

(56) **References Cited**

U.S. PATENT DOCUMENTS

2,528,795	A *	11/1950	Shontz	62/239
D235,808	S *	7/1975	Cann	D15/81
D236,550	S *	8/1975	Cann	D15/84
D275,958	S *	10/1984	Burns	D15/80
D607,475	S *	1/2010	Pacher	D15/83

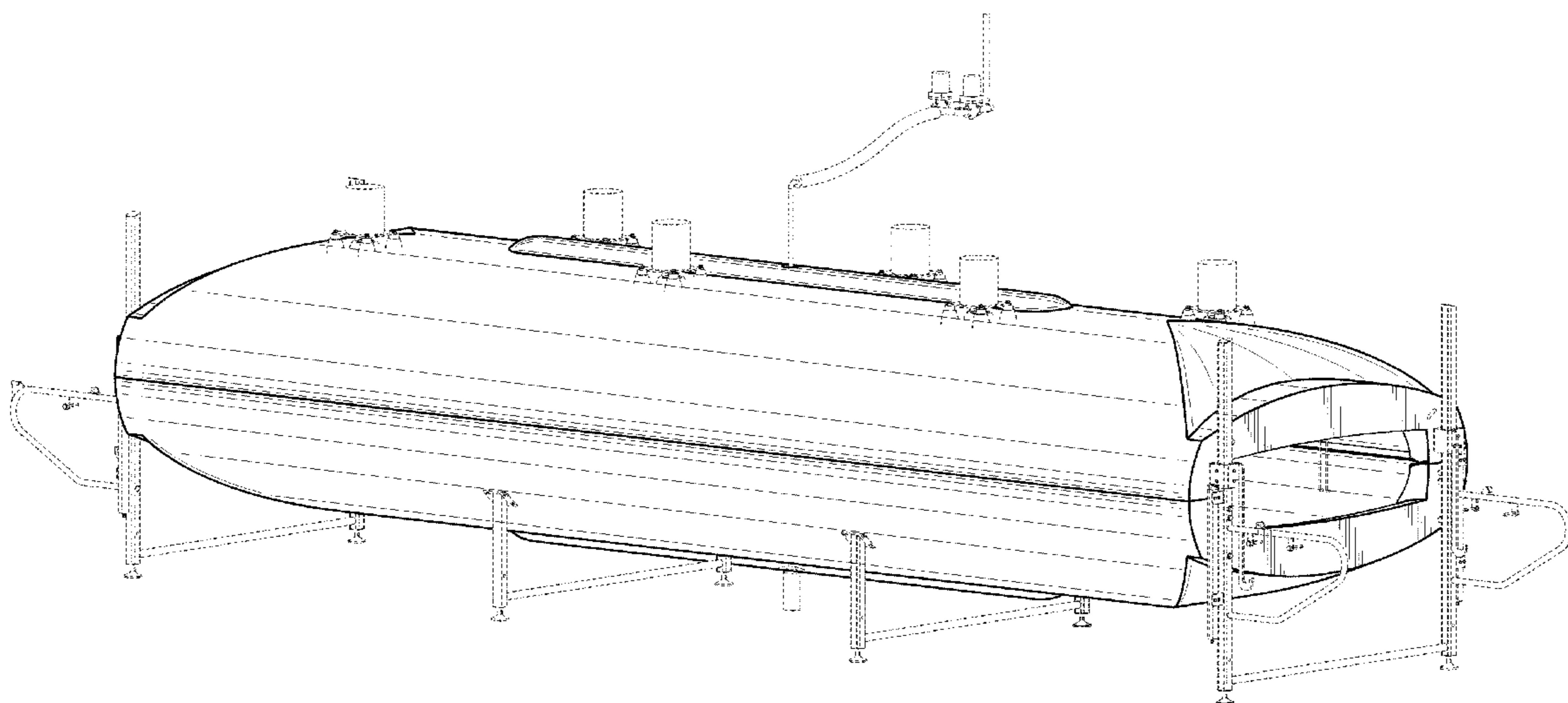
OTHER PUBLICATIONS

Air Liquide, "Ultrafreeze."

* cited by examiner

Primary Examiner — Mitchell Siegel

1 Claim, 8 Drawing Sheets



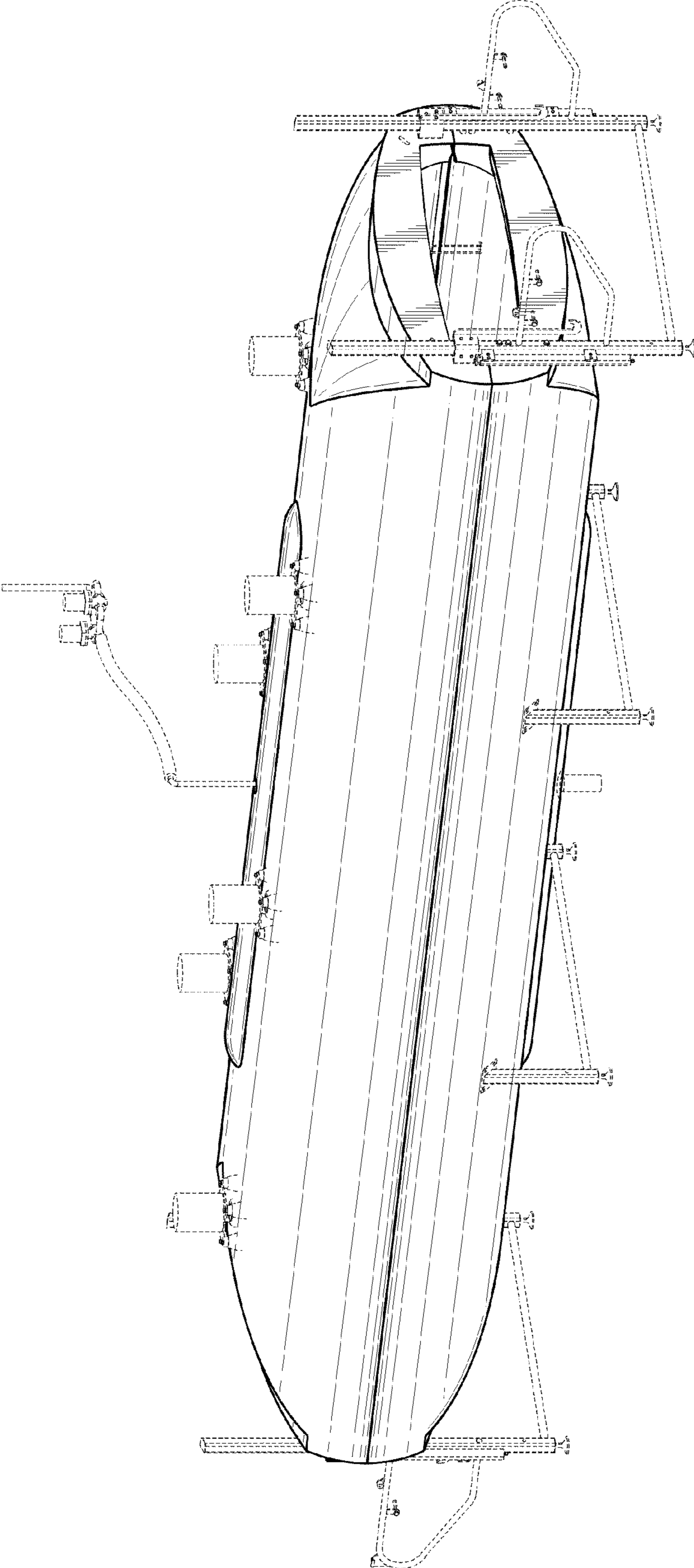


FIG. 1

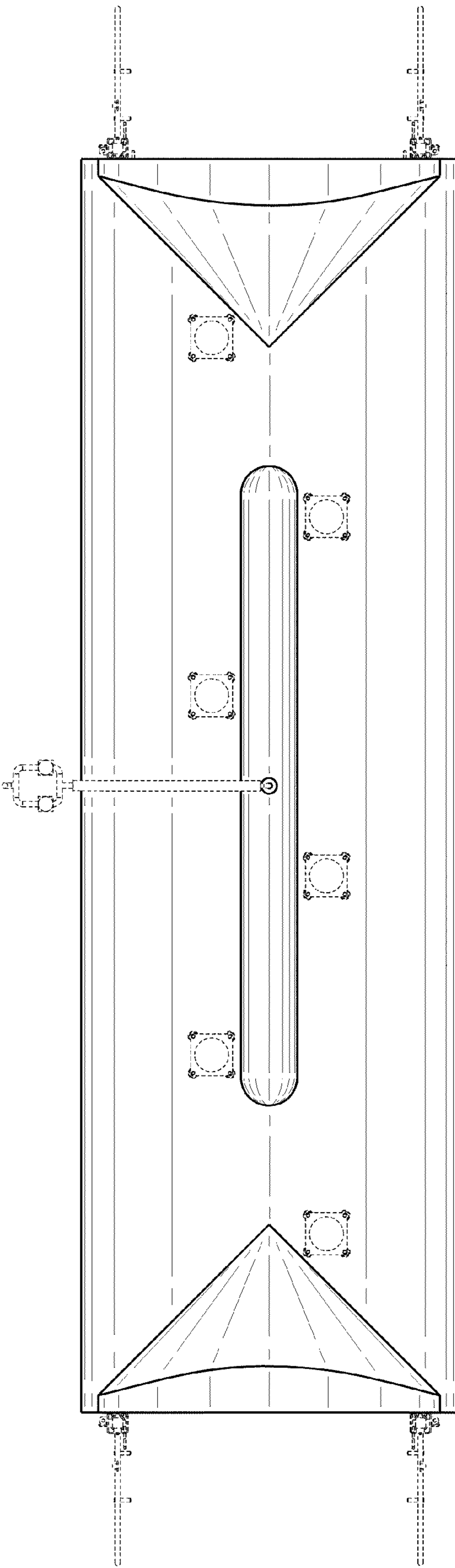


FIG. 2

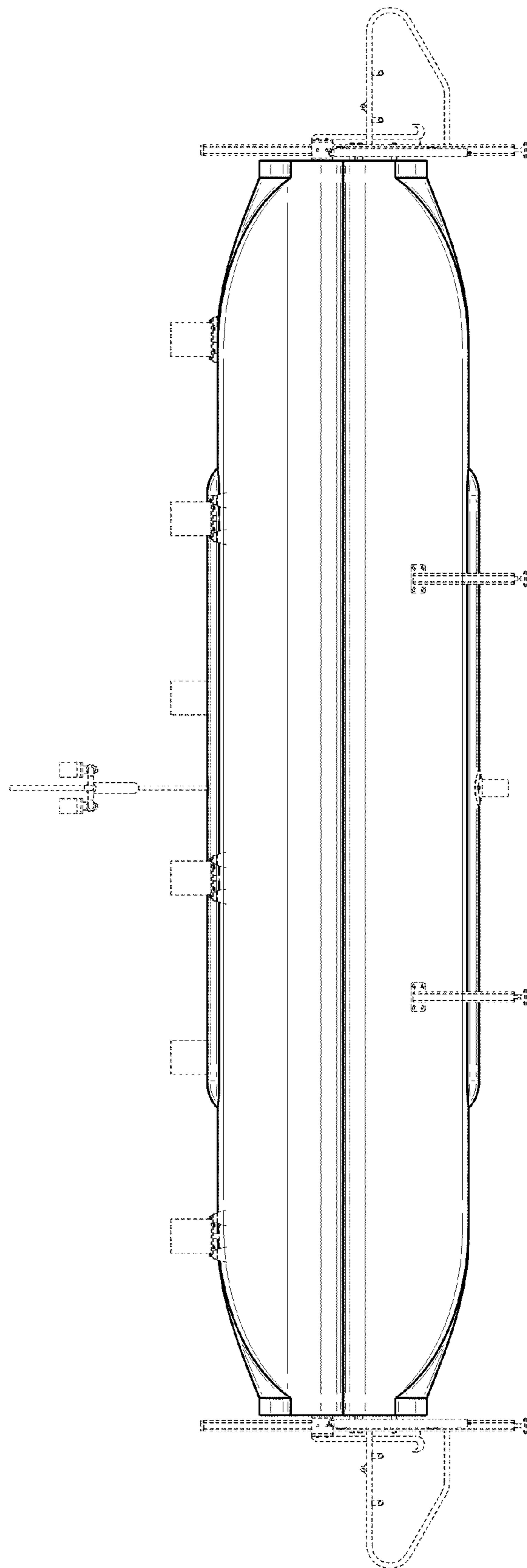


FIG. 3

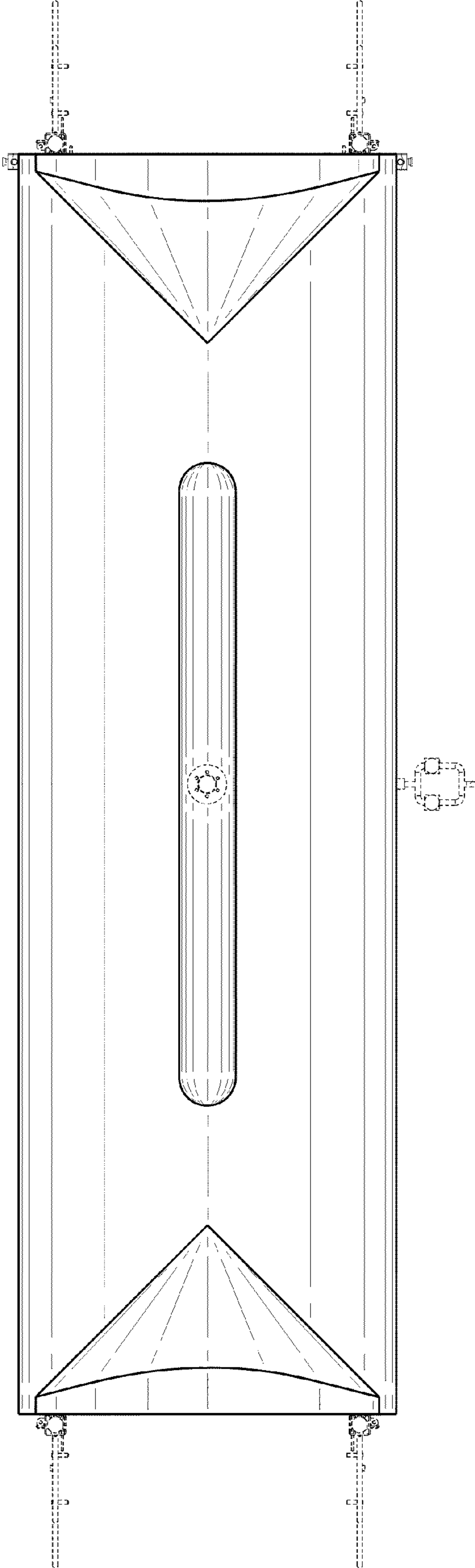


FIG. 4

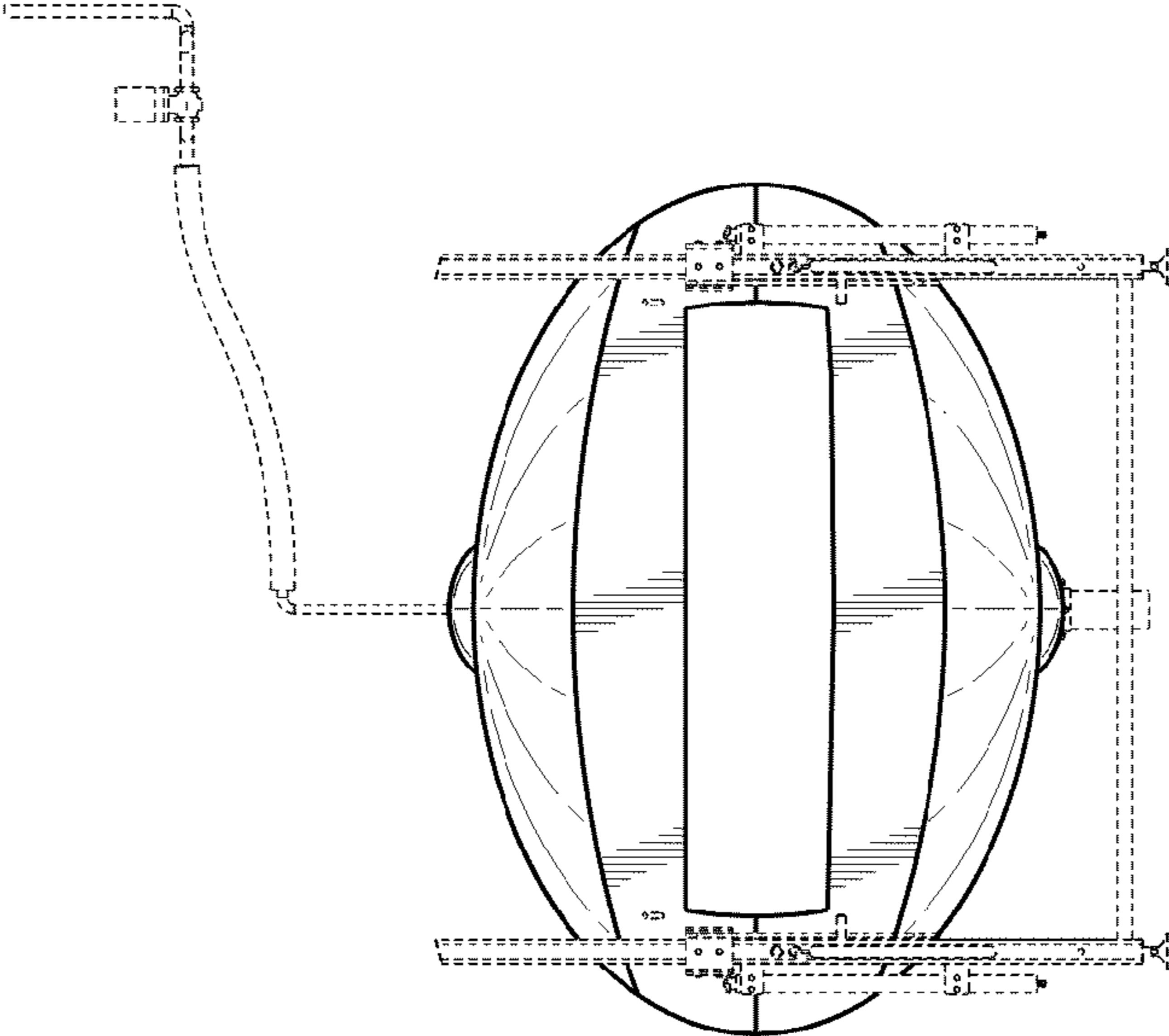


FIG. 6

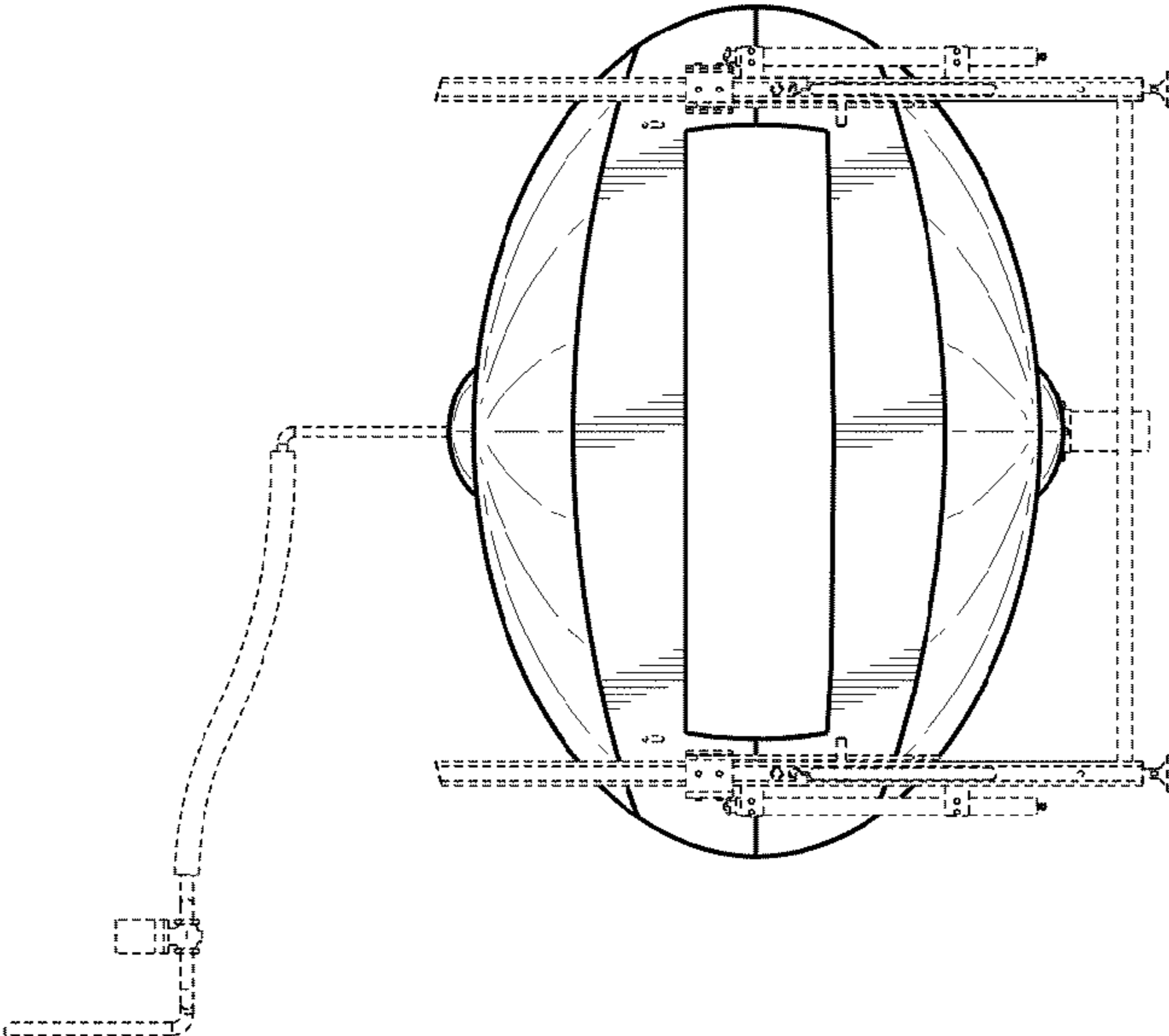


FIG. 5

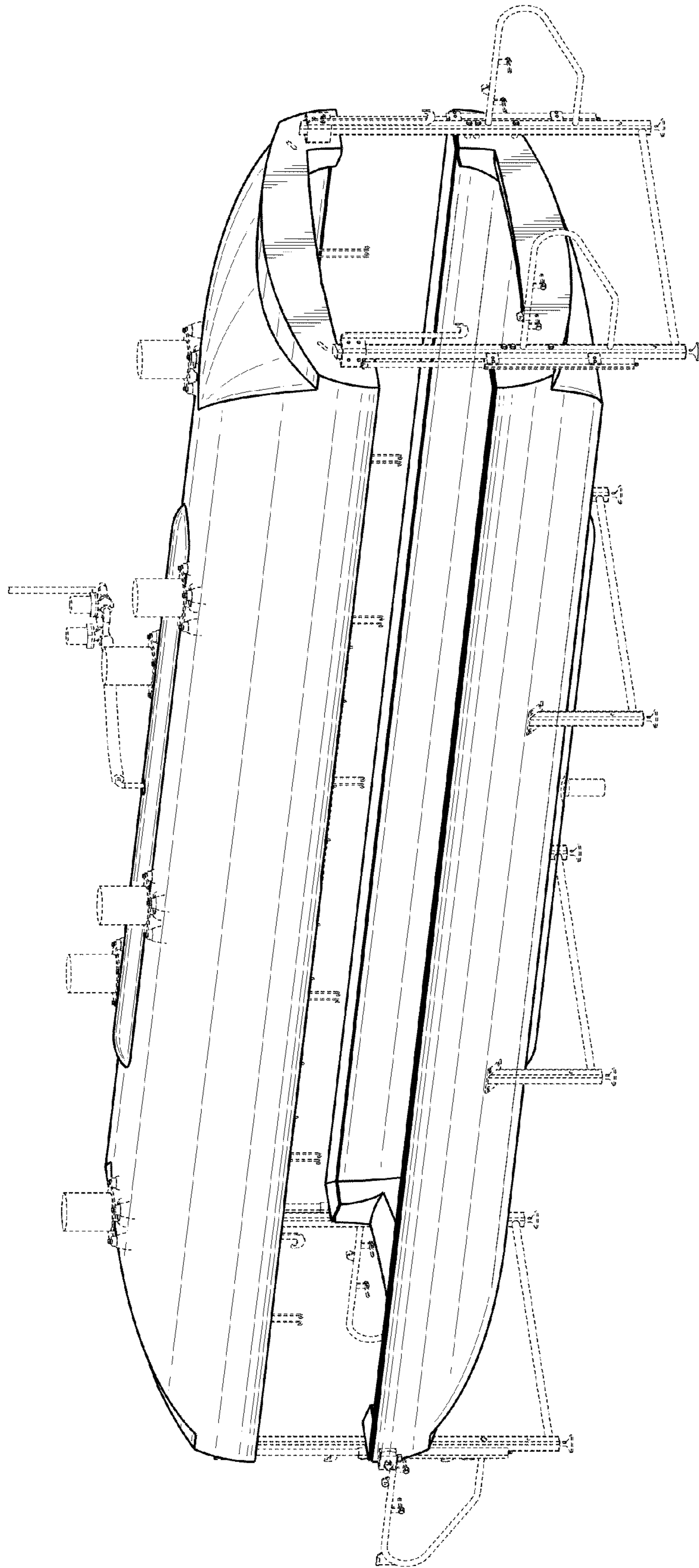


FIG. 7

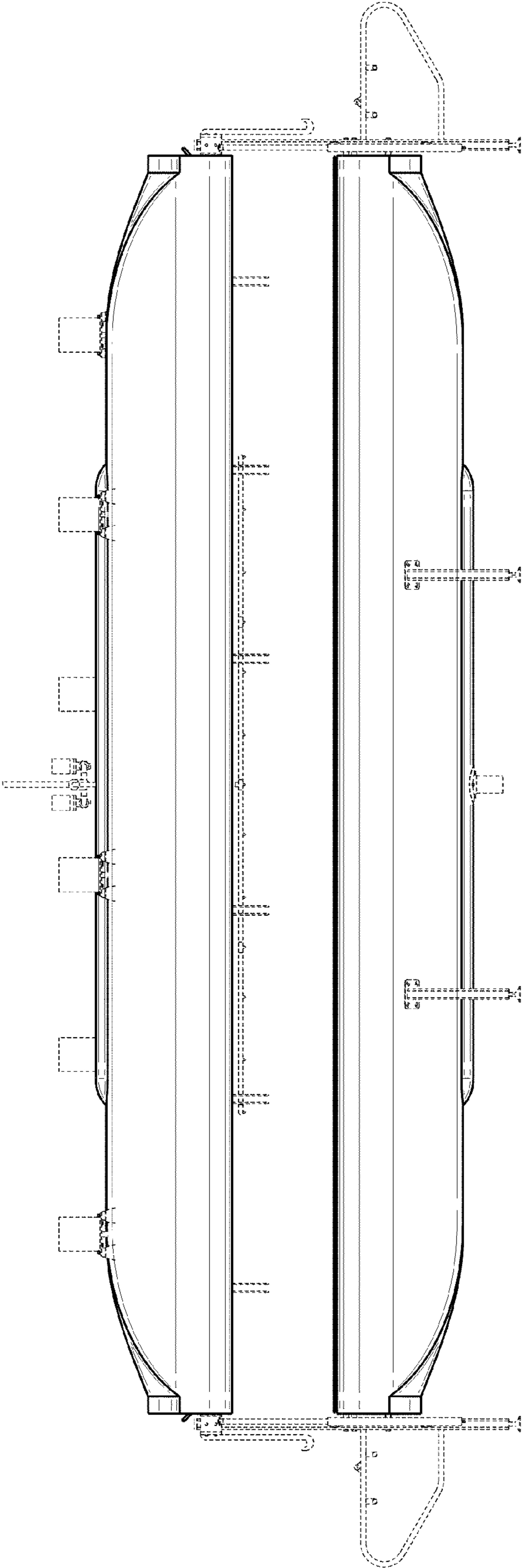


FIG. 8

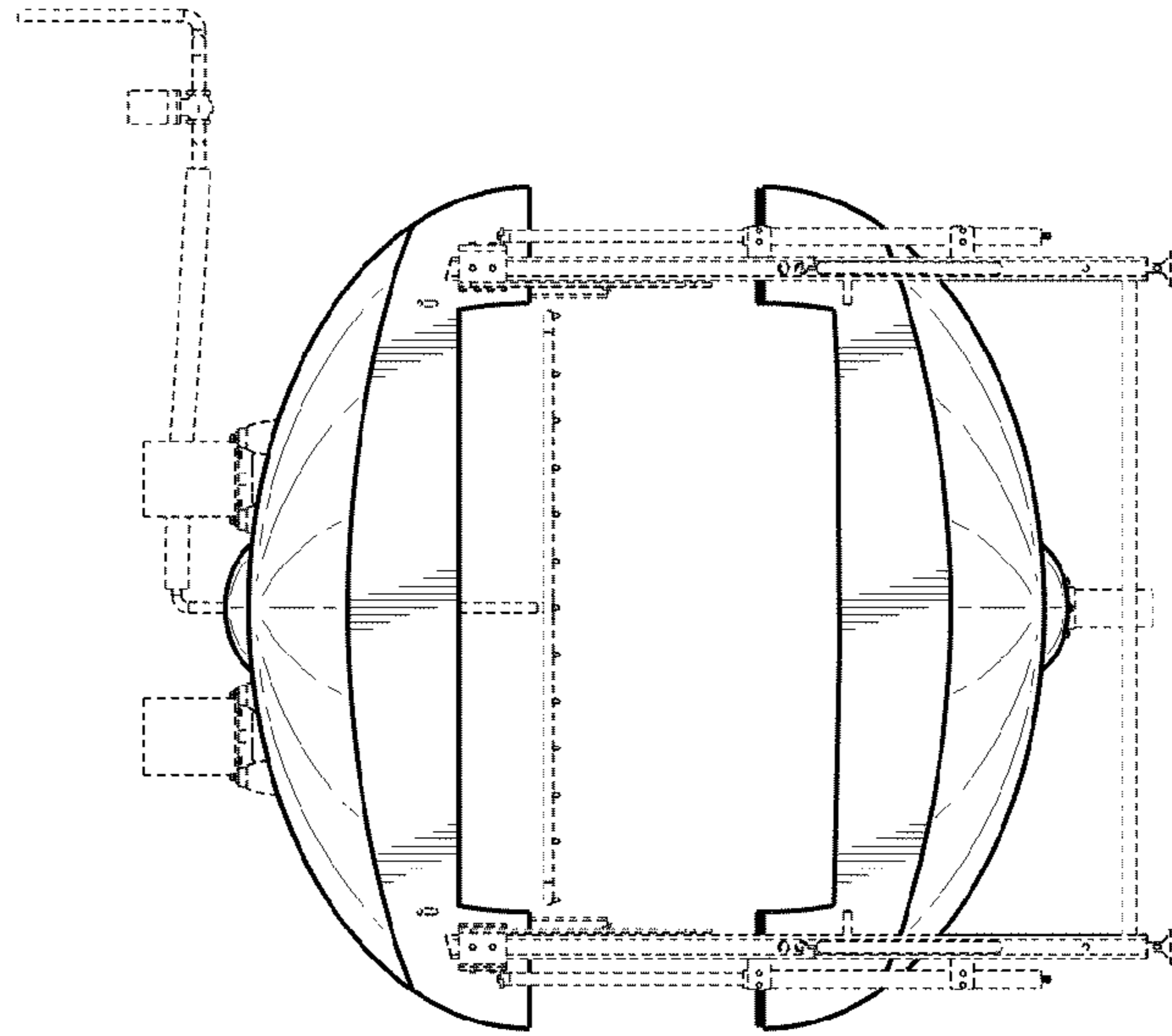


FIG. 10

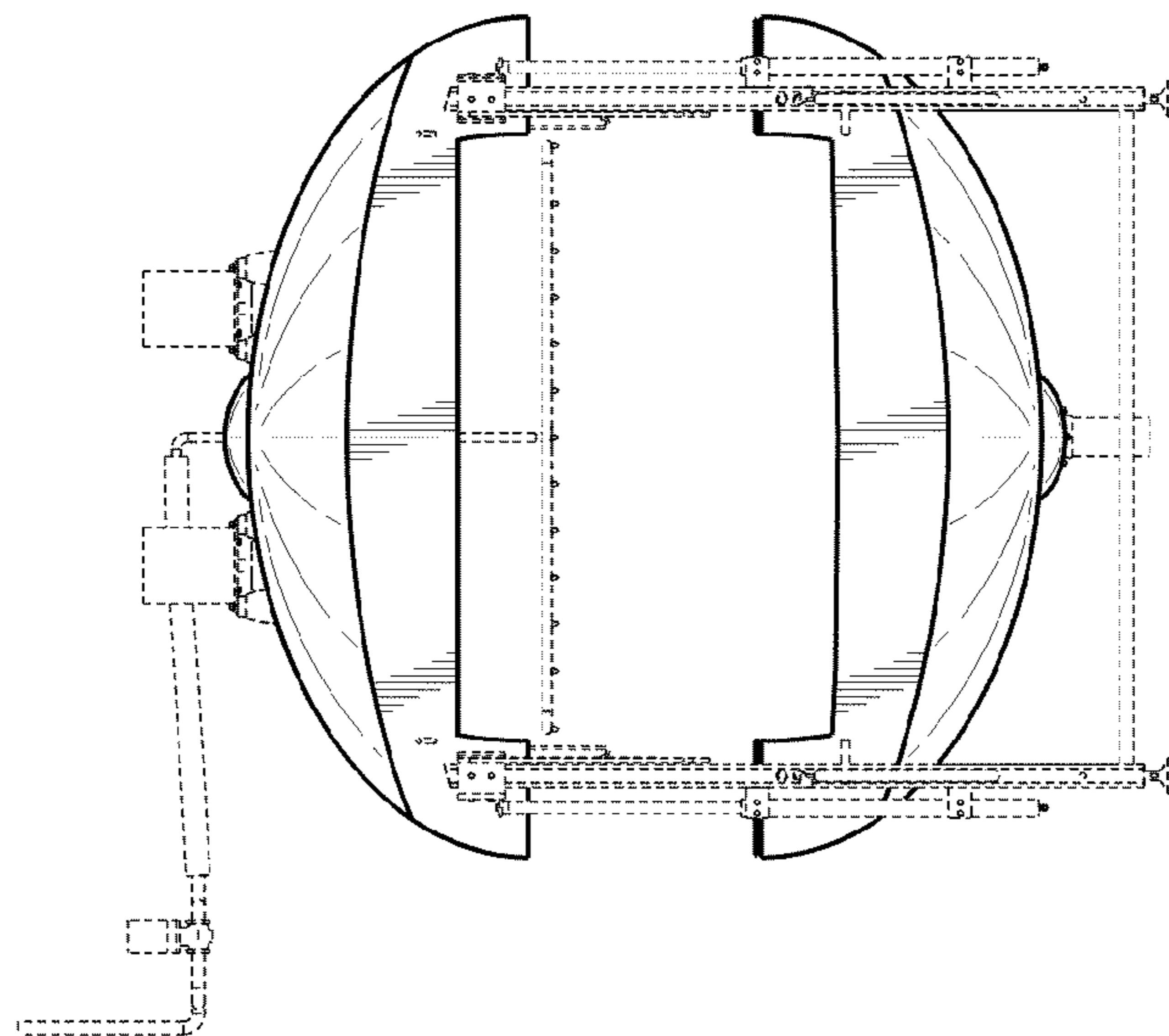


FIG. 9