



US00D649562S

(12) **United States Design Patent**
Hall

(10) **Patent No.:** **US D649,562 S**

(45) **Date of Patent:** **** Nov. 29, 2011**

(54) **TRUCK BODY TRAY CANOPY**

(75) Inventor: **Jamie Vincent Clarke Hall**, Thornlie
(AU)

(73) Assignee: **Austin Engineering Ltd.**, Kewdale (AU)

(**) Term: **14 Years**

(21) Appl. No.: **29/385,563**

(22) Filed: **Feb. 16, 2011**

(30) **Foreign Application Priority Data**

Aug. 16, 2010 (AU) 13531/2010

(51) **LOC (9) Cl.** **15-03**

(52) **U.S. Cl.** **D15/21; D15/33; D12/15; D12/98**

(58) **Field of Classification Search** D15/21,
D15/138, 28, 33, 10, 22-26; D12/15, 98,
D12/93; 414/476, 477, 480; 298/11, 30,
298/23 C, 23 M, 31, 32; 296/56, 57.1, 52,
296/51, 184

See application file for complete search history.

(56) **References Cited**

U.S. PATENT DOCUMENTS

D118,033	S	*	12/1939	Alexander	D12/15
D172,979	S	*	9/1954	Mortag	D12/15
D189,025	S	*	10/1960	Acker	D12/15
D190,023	S	*	4/1961	Parsley et al.	D12/15
D198,841	S	*	8/1964	Simmons et al.	D15/33
D204,604	S	*	5/1966	Fryer	D12/15
D206,708	S	*	1/1967	Maxon, Jr.	D12/15
3,521,930	A	*	7/1970	Tucker	298/24
3,938,238	A	*	2/1976	Kershaw et al.	29/469
D268,830	S	*	5/1983	Sutela	D12/93
D289,748	S	*	5/1987	Proeschl	D12/15
4,824,158	A	*	4/1989	Peters et al.	296/37.6
D386,128	S	*	11/1997	Gerding et al.	D12/93
D386,722	S	*	11/1997	Dunphy	D12/93
5,772,271	A	*	6/1998	Sanders	296/32

D409,524	S	*	5/1999	McKinney	D12/93
D414,138	S	*	9/1999	McKinney	D12/98
6,022,068	A	*	2/2000	D'Amico	296/183.2
D425,825	S	*	5/2000	Shambeau et al.	D12/93
D429,662	S	*	8/2000	Smith et al.	D12/93
D431,498	S	*	10/2000	Smith et al.	D12/93
D450,627	S	*	11/2001	Musso et al.	D12/15
D466,135	S	*	11/2002	Spomer et al.	D15/33
D476,999	S	*	7/2003	Truan et al.	D15/28
6,935,678	B1	*	8/2005	Laban et al.	296/183.2
7,100,256	B2	*	9/2006	D'Amico et al.	29/401.1
7,481,483	B2	*	1/2009	D'Amico et al.	296/183.1
D606,565	S	*	12/2009	Hickenbottom	D15/28
2003/0015906	A1	*	1/2003	Mistler	298/11
2003/0080603	A1	*	5/2003	Connor	298/24
2003/0156933	A1	*	8/2003	Arne et al.	414/502
2005/0115795	A1	*	6/2005	Bailey	198/300
2005/0253418	A1	*	11/2005	Miller et al.	296/183.2
2007/0046068	A1	*	3/2007	D'Amico et al.	296/183.1
2007/0182208	A1	*	8/2007	D'Amico et al.	296/183.1
2009/0315387	A1	*	12/2009	Smith	298/1 A
2010/0051359	A1	*	3/2010	Fushiki et al.	180/65.1

* cited by examiner

Primary Examiner — Mark Goodwin

(74) *Attorney, Agent, or Firm* — Rothwell, Figg, Ernst & Manbeck, P.C.

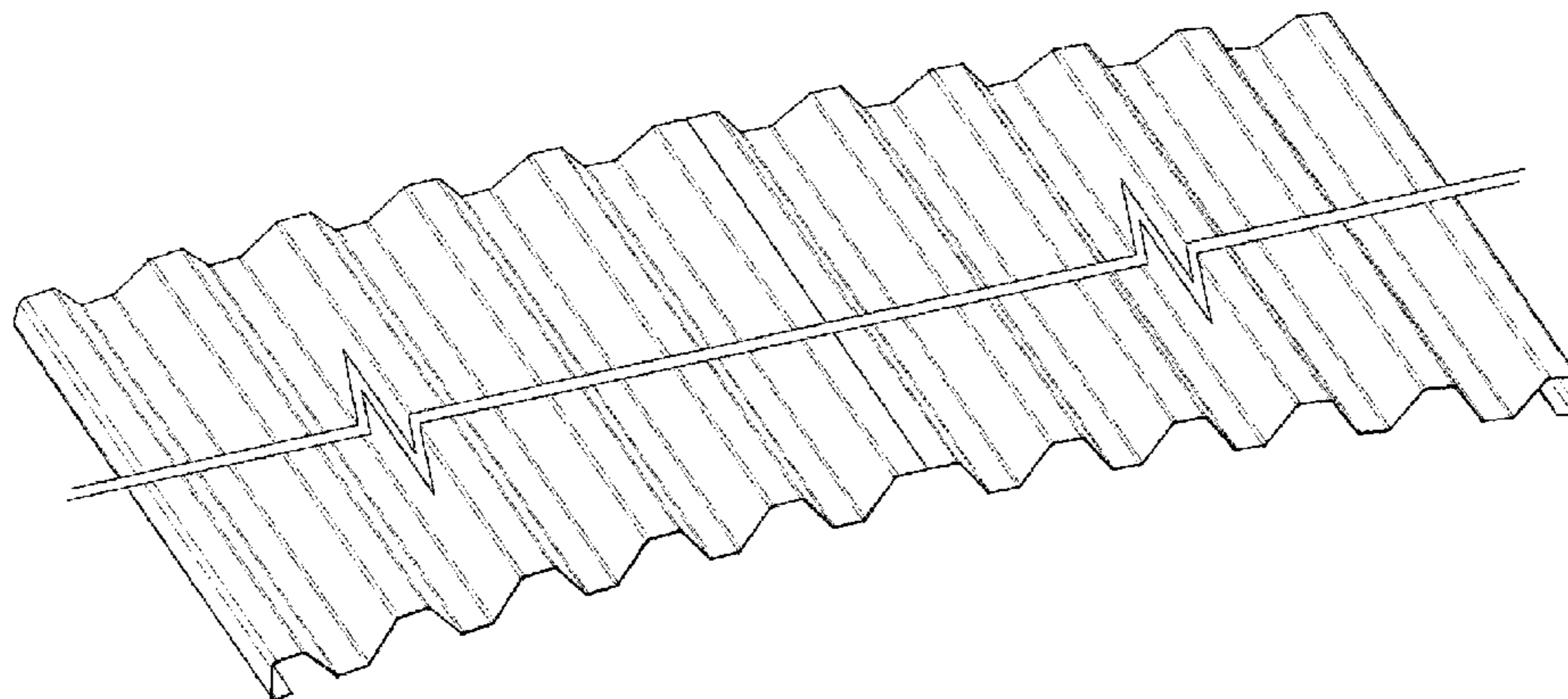
(57) **CLAIM**

The ornamental design for a truck body tray canopy, as shown and described.

DESCRIPTION

FIG. 1 is a top perspective view of a truck body tray canopy showing my new design;
FIG. 2 is a top plan view thereof;
FIG. 3 is a front view thereof, the rear view being a mirror image thereof;
FIG. 4 is a right side view thereof; and,
FIG. 5 is a left side view thereof.
FIGS. 1, 2, 4, and 5 are shown broken away to indicate indeterminate length.

1 Claim, 4 Drawing Sheets



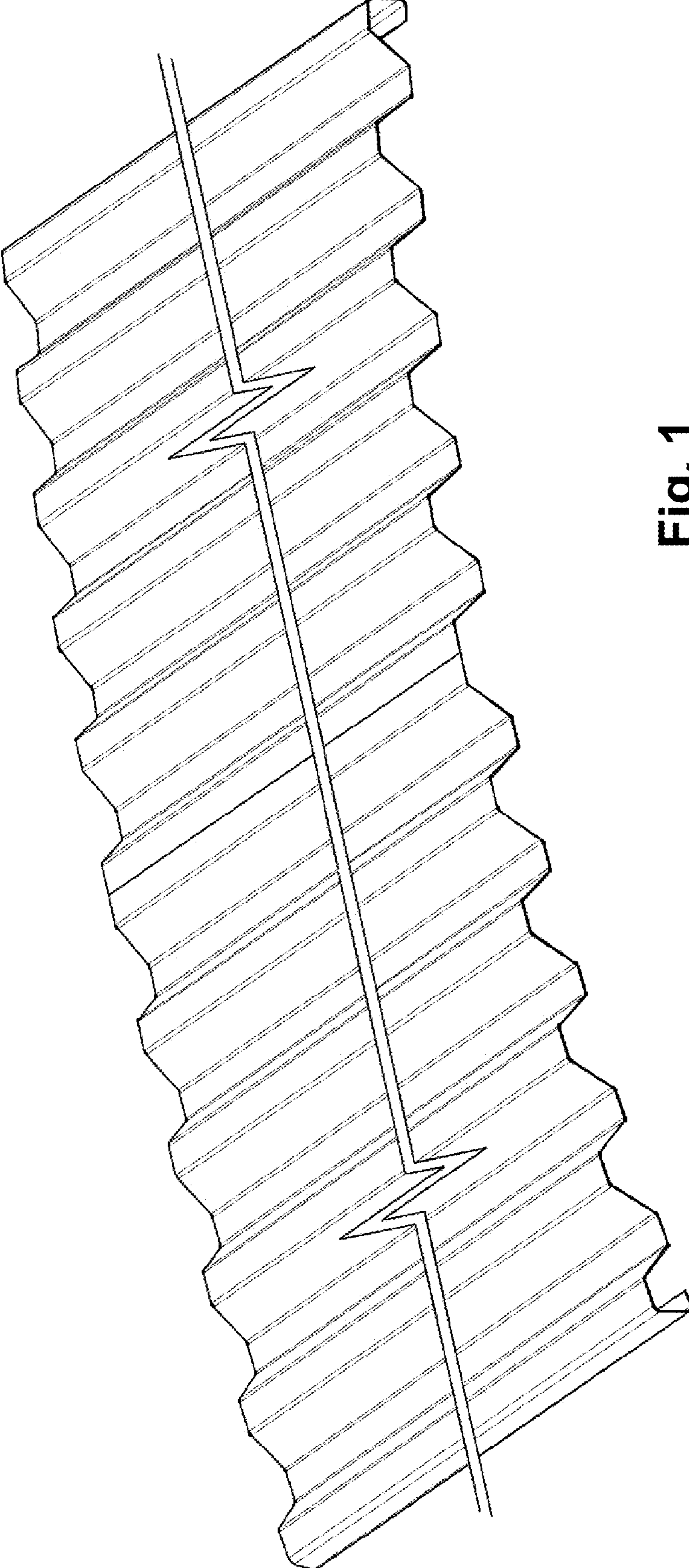


Fig. 1

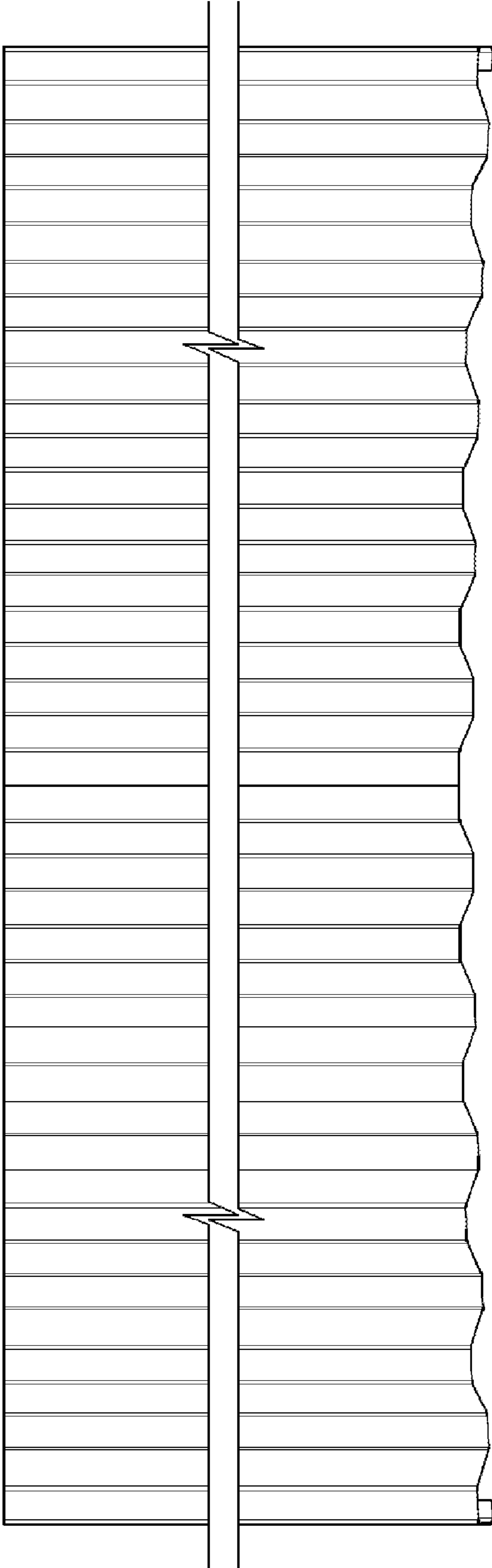


Fig. 2

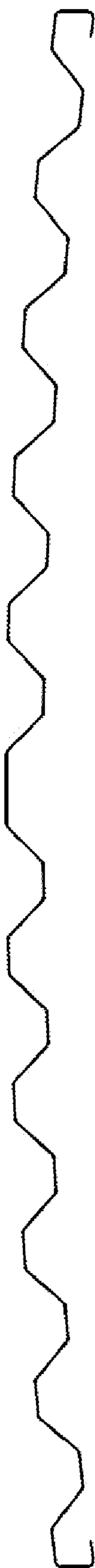


Fig. 3

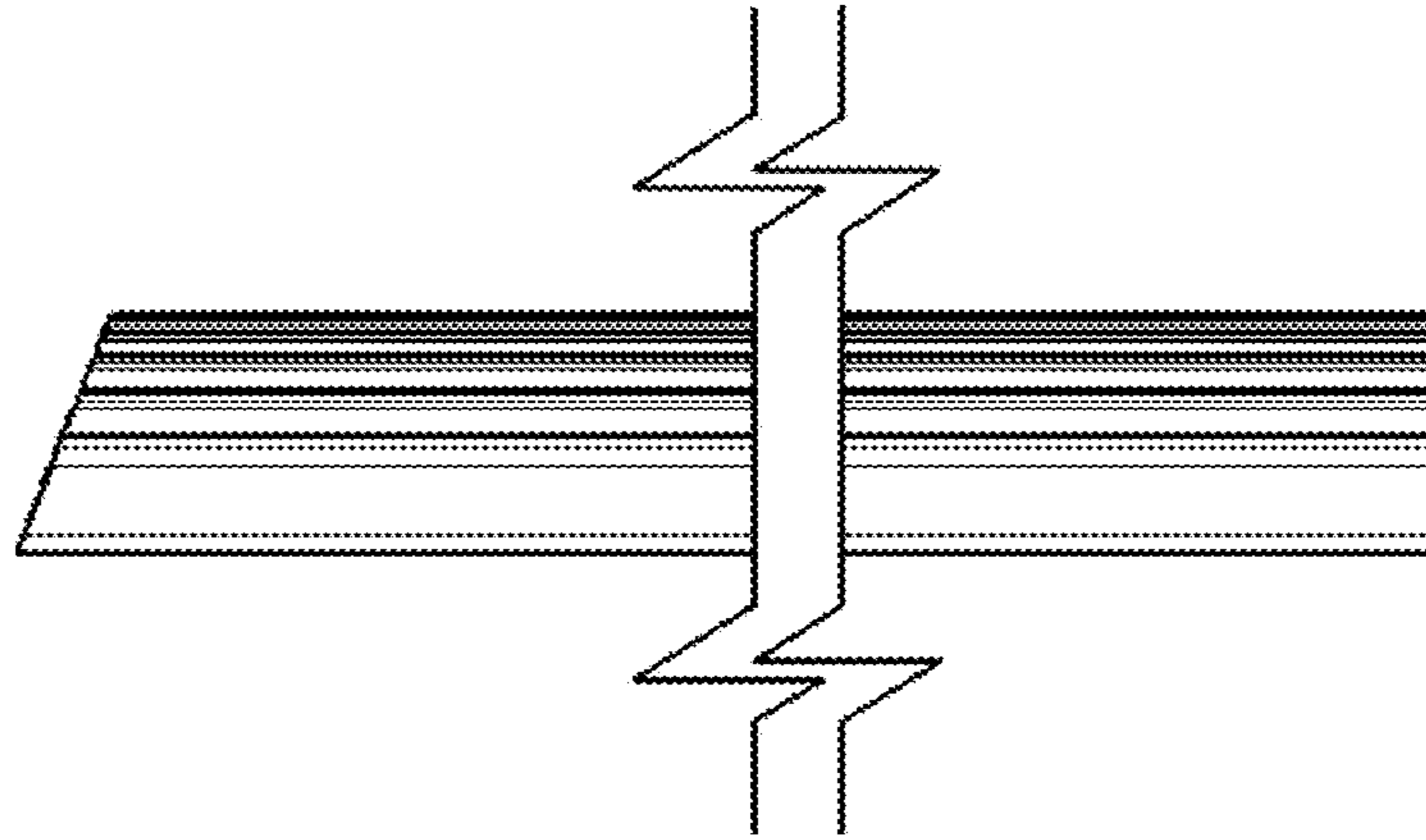


Fig. 4

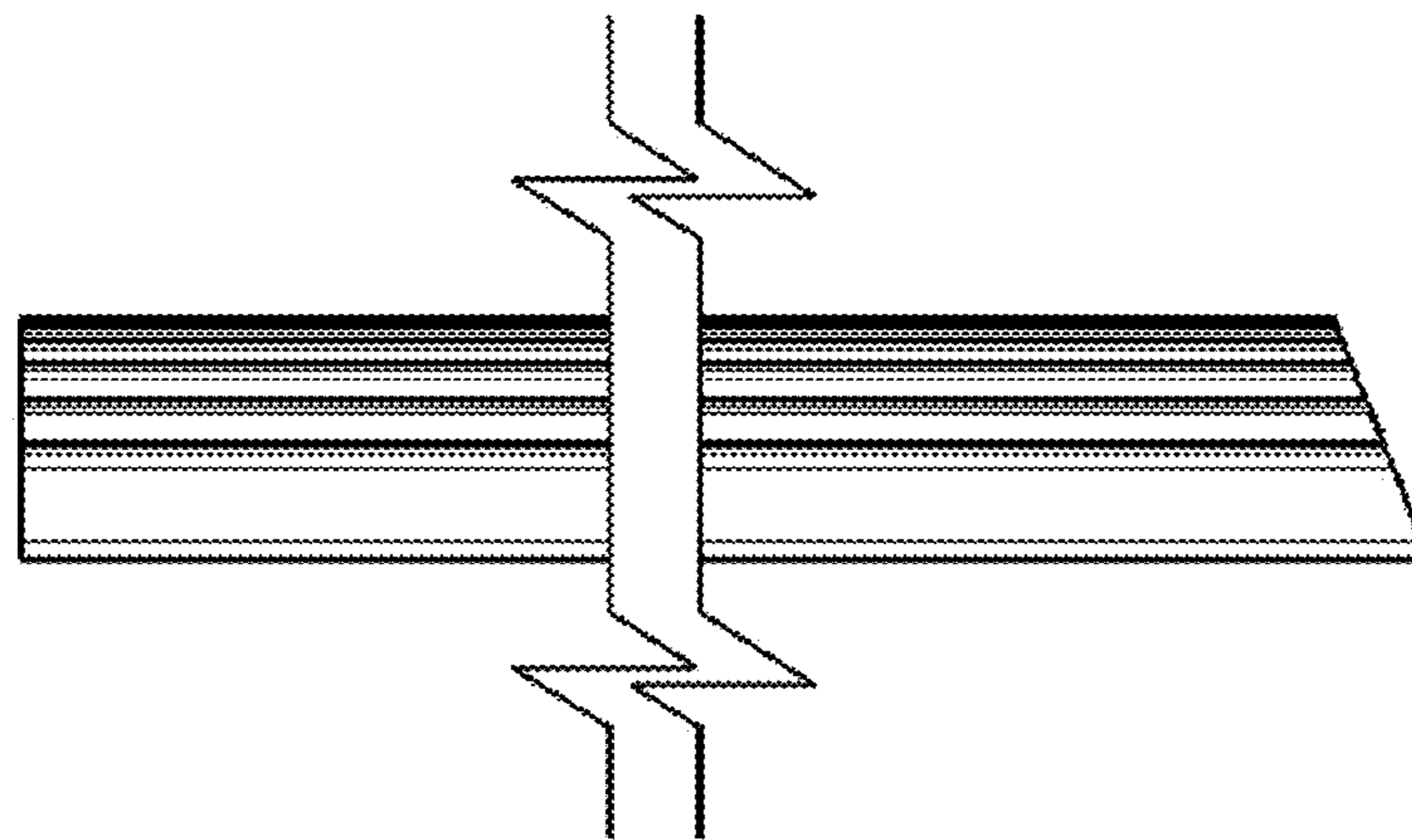


Fig. 5