



US00D649561S

(12) **United States Design Patent**
Bauck et al.

(10) **Patent No.:** **US D649,561 S**

(45) **Date of Patent:** **** Nov. 29, 2011**

(54) **LD OIL AND GREASE PUMP**

(76) Inventors: **Mark L. Bauck**, Coon Rapids, MN (US); **Zaixing You**, Phoenix (CN); **Li hui Gao**, PingJiang District (CN); **Xueshui Wu**, Phoenix (CN); **Jin Tian**, Can Lang Borough (CN); **Anthony J. Gargano**, Savage, MN (US); **Laura L. Evanson**, New Hope, MN (US); **Benjamin J. Paar**, Minneapolis, MN (US); **Brandon P. Knez**, Coon Rapids, MN (US); **Gary T. Losie**, Maple Plain, MN (US)

D419,567 S *	1/2000	Weiss	D15/7
D447,148 S *	8/2001	Antony et al.	D15/7
D464,362 S *	10/2002	Tsai	D15/7
D471,561 S *	3/2003	Kohsaka	D15/7
D524,327 S *	7/2006	Weiss et al.	D15/7
D558,232 S *	12/2007	Wang	D15/7

OTHER PUBLICATIONS

Screen shot of Graco's Eagle Grease Pump, manual 308947A, an older similar design.
Graco Falcon Pumps brochure, an older similar design; See cover.
Graco Merkur ES brochure, a current similar design; See p. 3.
Screen shot of MacNaught Pty LTD's Oilmaster pump, a current similar design.

* cited by examiner

Primary Examiner — Ralf Seifert

(74) *Attorney, Agent, or Firm* — Douglas B. Farrow

(**) Term: **14 Years**

(21) Appl. No.: **29/380,361**

(22) Filed: **Dec. 3, 2010**

(51) **LOC (9) Cl.** **15-02**

(52) **U.S. Cl.** **D15/7**

(58) **Field of Classification Search** D11/200,
D11/201, 221; 24/381-383, 385-387, 414-417,
24/421-422, 427-431, 433; 2/265
See application file for complete search history.

(57) **CLAIM**

The ornamental design for a LD oil and grease pump, as shown and described.

DESCRIPTION

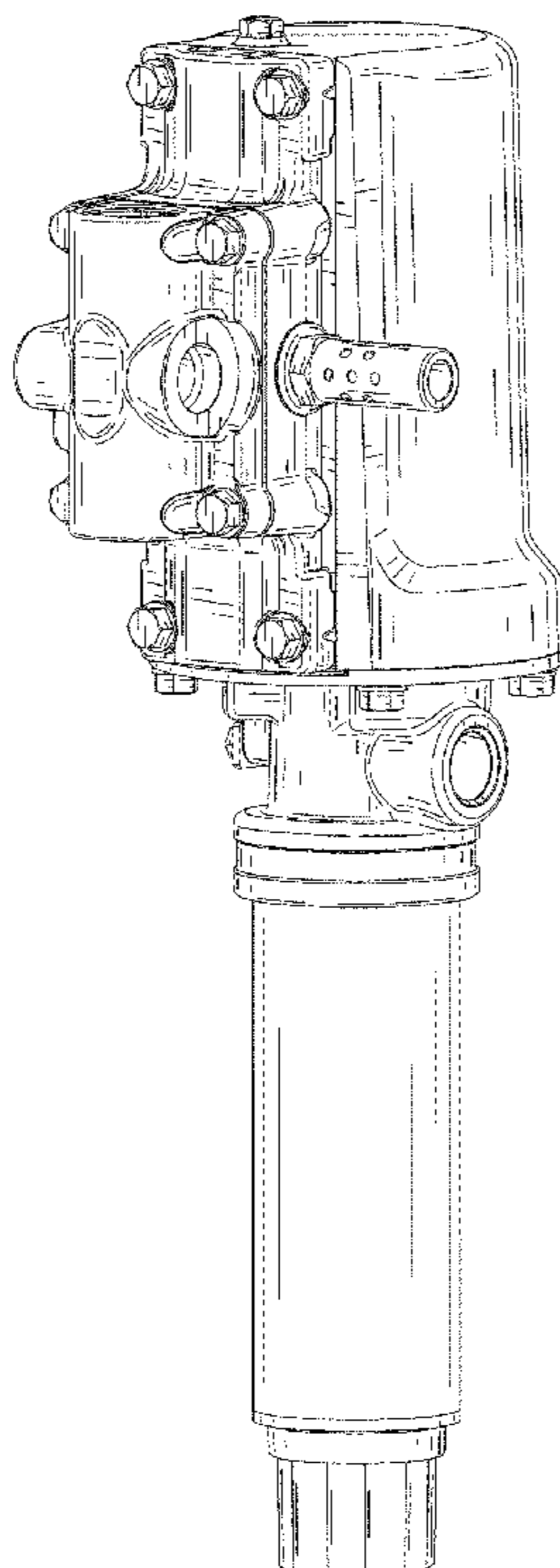
FIG. 1 is a rear isometric view of the LD oil and grease pump;
FIG. 2 is a top view thereof;
FIG. 3 is a front view thereof;
FIG. 4 is a right side view thereof;
FIG. 5 is a left side view thereof;
FIG. 6 is a back view thereof; and,
FIG. 7 is a bottom view thereof.

(56) **References Cited**

U.S. PATENT DOCUMENTS

D372,251 S *	7/1996	Bohneke	D15/7
D384,674 S *	10/1997	Grolle et al.	D15/7
D393,266 S *	4/1998	Hathaway	D15/7
D400,211 S *	10/1998	Thallemer et al.	D15/7

1 Claim, 7 Drawing Sheets



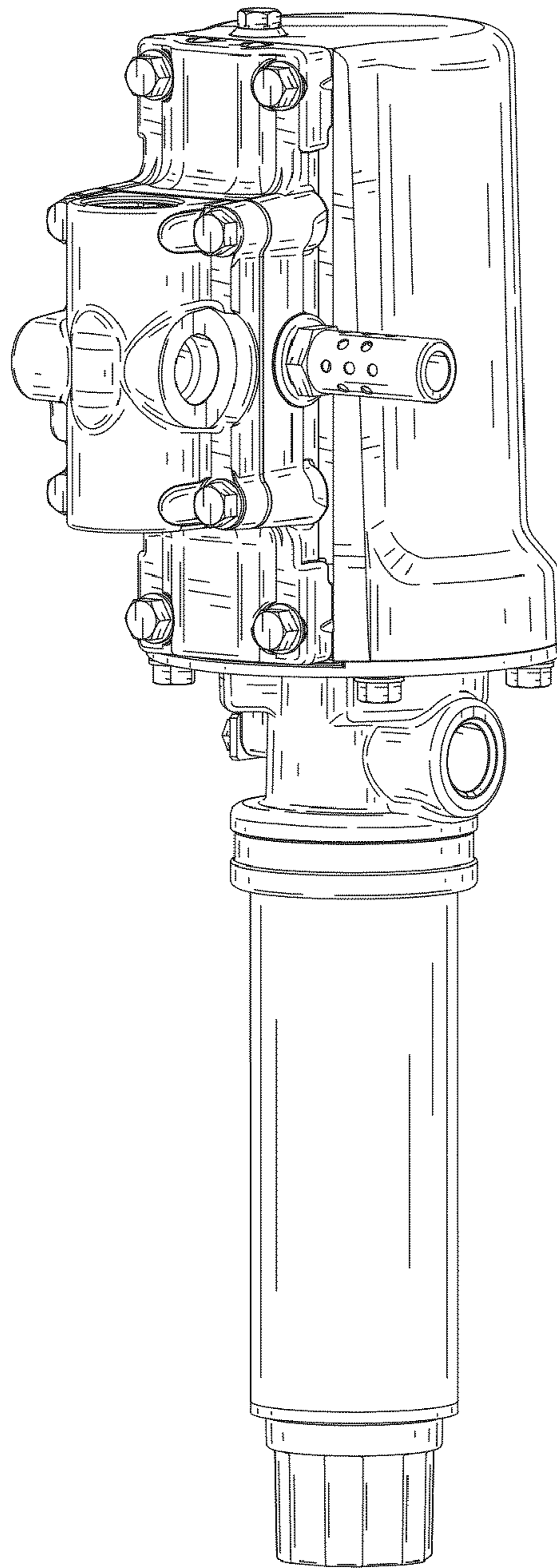


FIG. 1

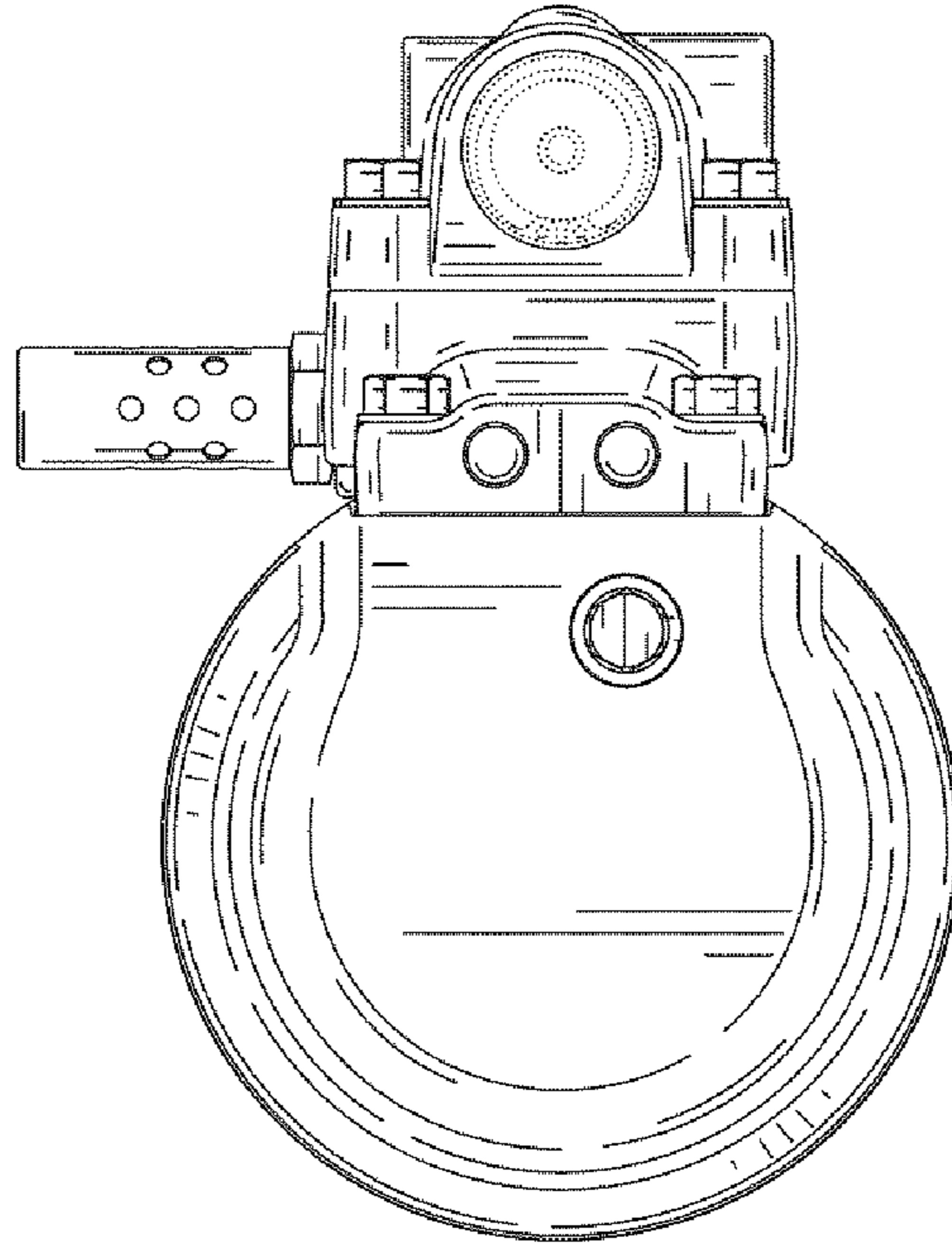


FIG. 2

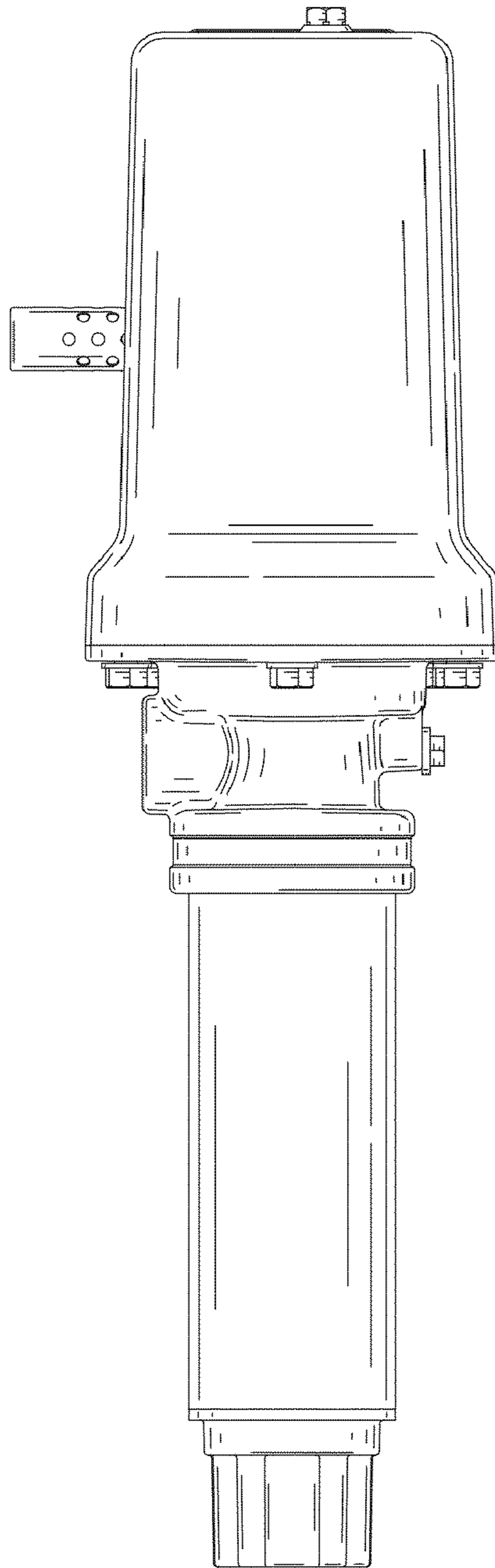


FIG. 3

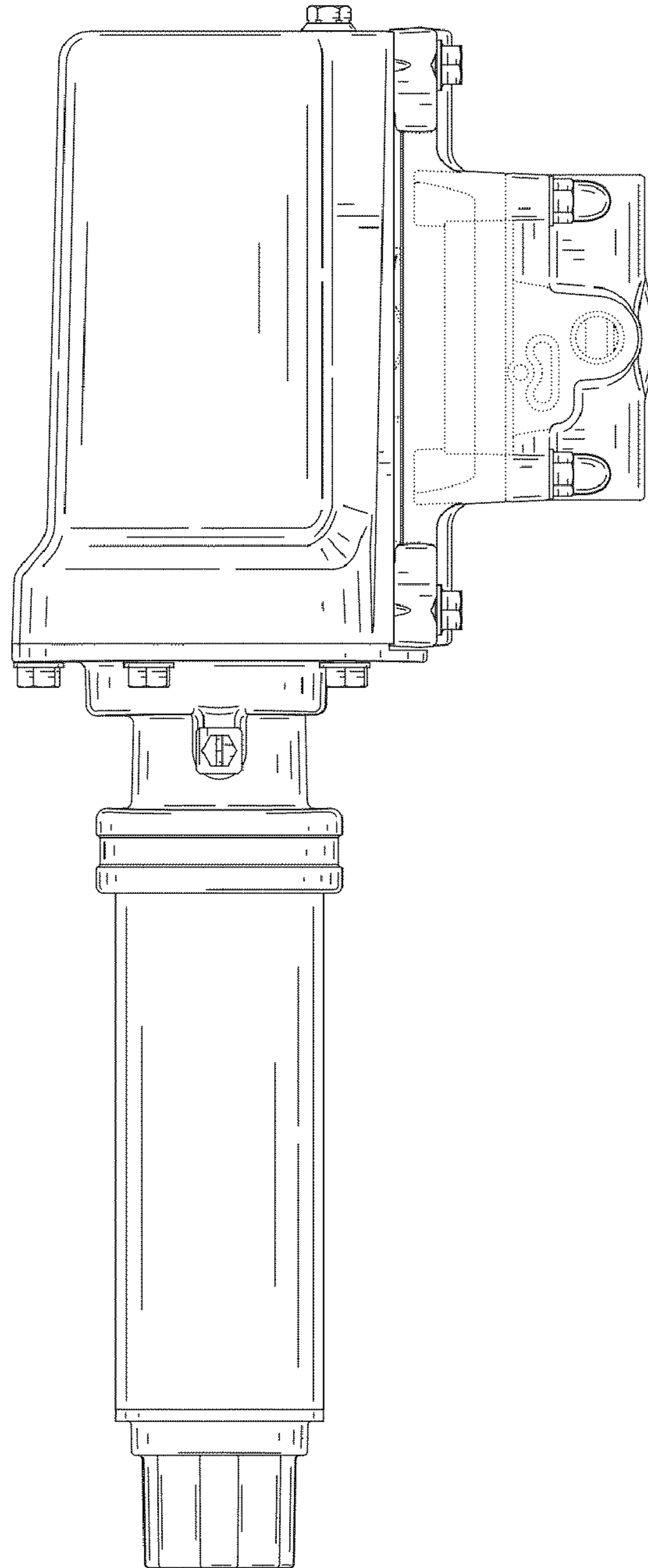


FIG. 4

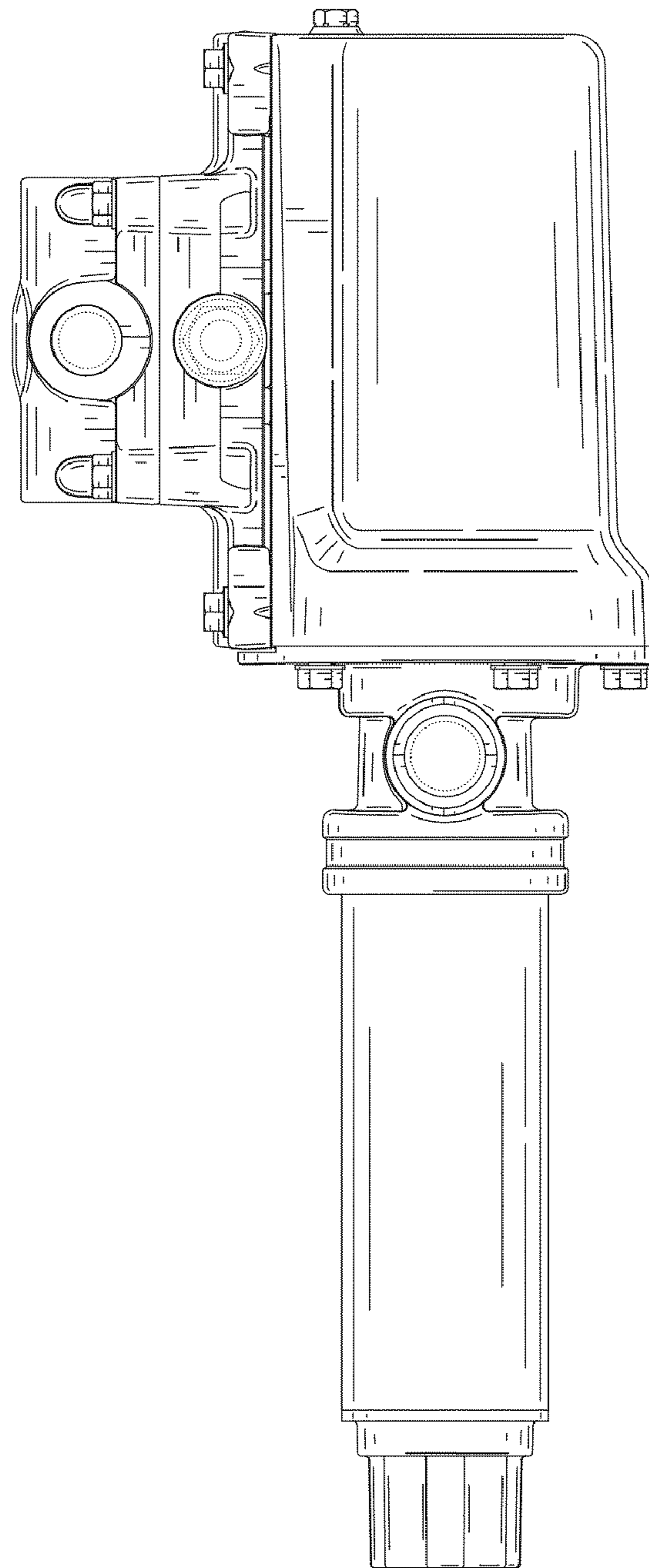


FIG. 5

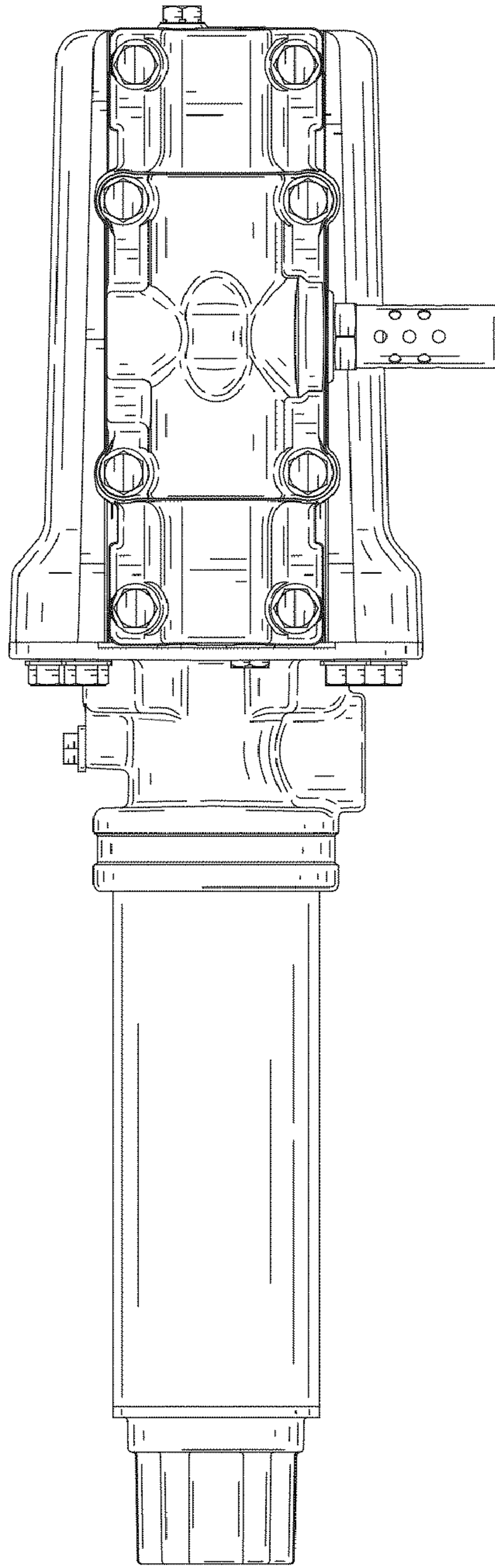


FIG. 6

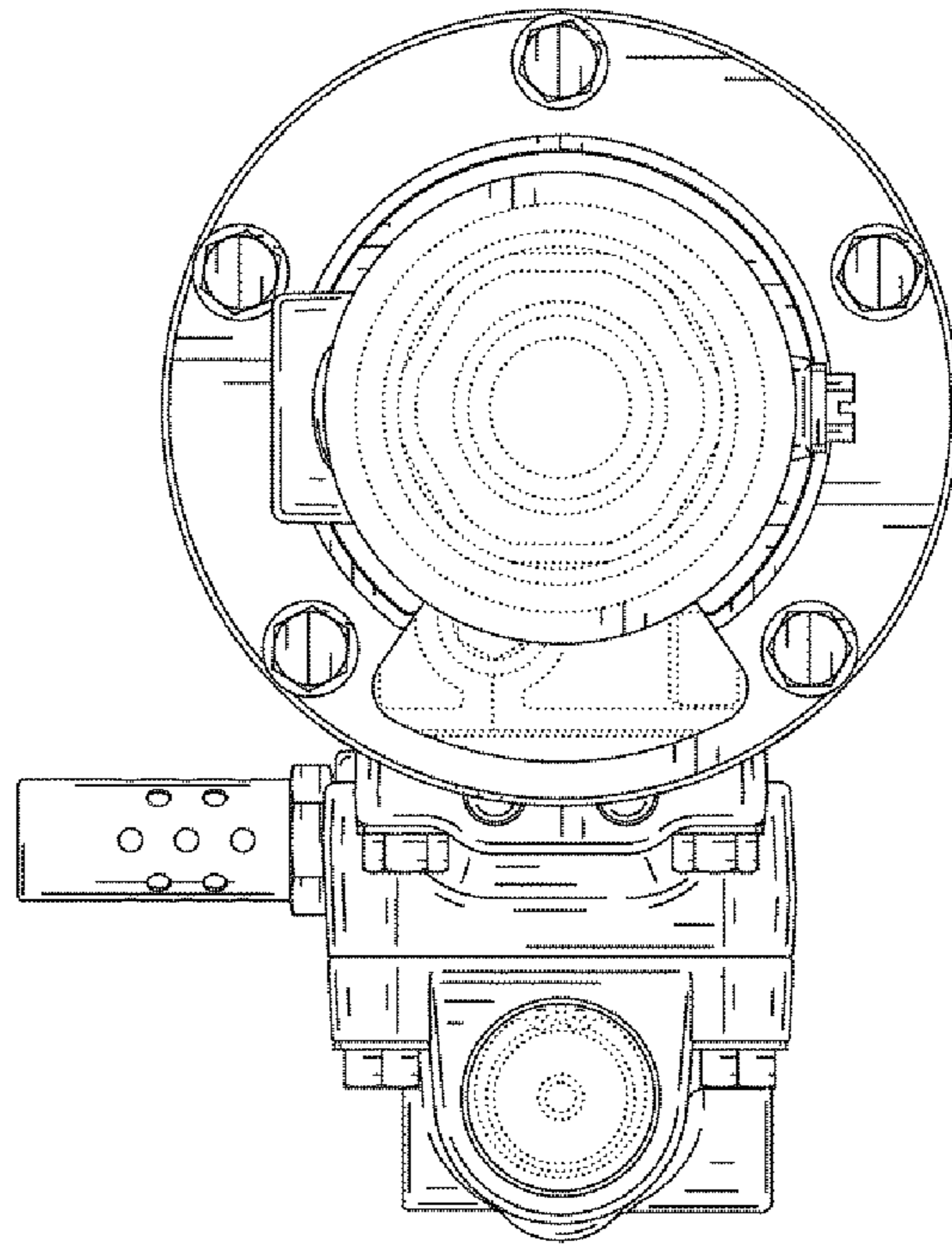


FIG. 7