



US00D649560S

(12) **United States Design Patent**  
**Hurter et al.**

(10) **Patent No.:** **US D649,560 S**

(45) **Date of Patent:** **\*\* Nov. 29, 2011**

(54) **WIRELESS MOTOR SUPPORT**

(75) Inventors: **Richard Hurter**, Castaic, CA (US);  
**David Poer**, Rancho Santa Margarita,  
CA (US)

(73) Assignee: **Kupa, Inc.**, Anaheim, CA (US)

(\*\*) Term: **14 Years**

(21) Appl. No.: **29/372,067**

(22) Filed: **Oct. 12, 2010**

(51) **LOC (9) Cl.** ..... **15-01**

(52) **U.S. Cl.** ..... **D15/1**

(58) **Field of Classification Search** ..... D15/1,  
D15/2, 3, 5, 6, 14, 17, 149; 123/22, 41.34,  
123/51 A, 606 R, 52.1, 50 A, 50 B, 54.1,  
123/54.2, 54.4, 54.5, 65 R, 195 R, 195 HC,  
123/657, 311; D13/110, 199

See application file for complete search history.

(56) **References Cited**

U.S. PATENT DOCUMENTS

D349,883 S \* 8/1994 Gallagher et al. .... D13/108  
D426,809 S \* 6/2000 Stevens et al. .... D13/110

\* cited by examiner

*Primary Examiner* — Celia A. Murphy

*Assistant Examiner* — Ania Dworzecka

(74) *Attorney, Agent, or Firm* — G. Donald Weber, Jr.

(57) **CLAIM**

The ornamental design for a wireless motor support, as shown and described.

**DESCRIPTION**

FIG. 1 is a perspective view of a wireless motor support showing our new design;

FIG. 2 is a front elevational view thereof;

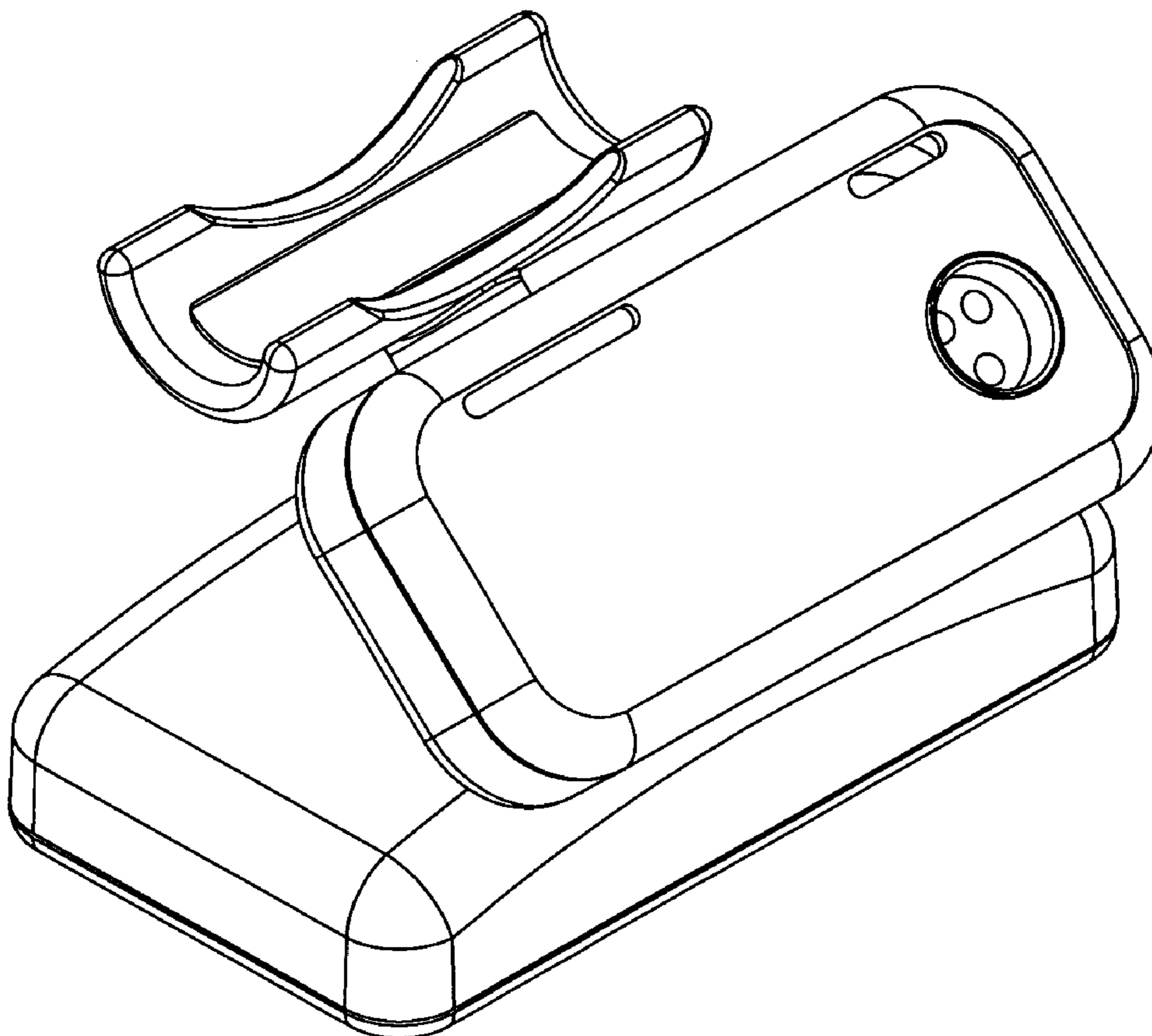
FIG. 3 is the rear elevational view thereof;

FIG. 4 is a left side elevational view thereof; the right side being a mirror image thereof;

FIG. 5 is a top plan view; and,

FIG. 6 is the bottom plan view.

**1 Claim, 6 Drawing Sheets**



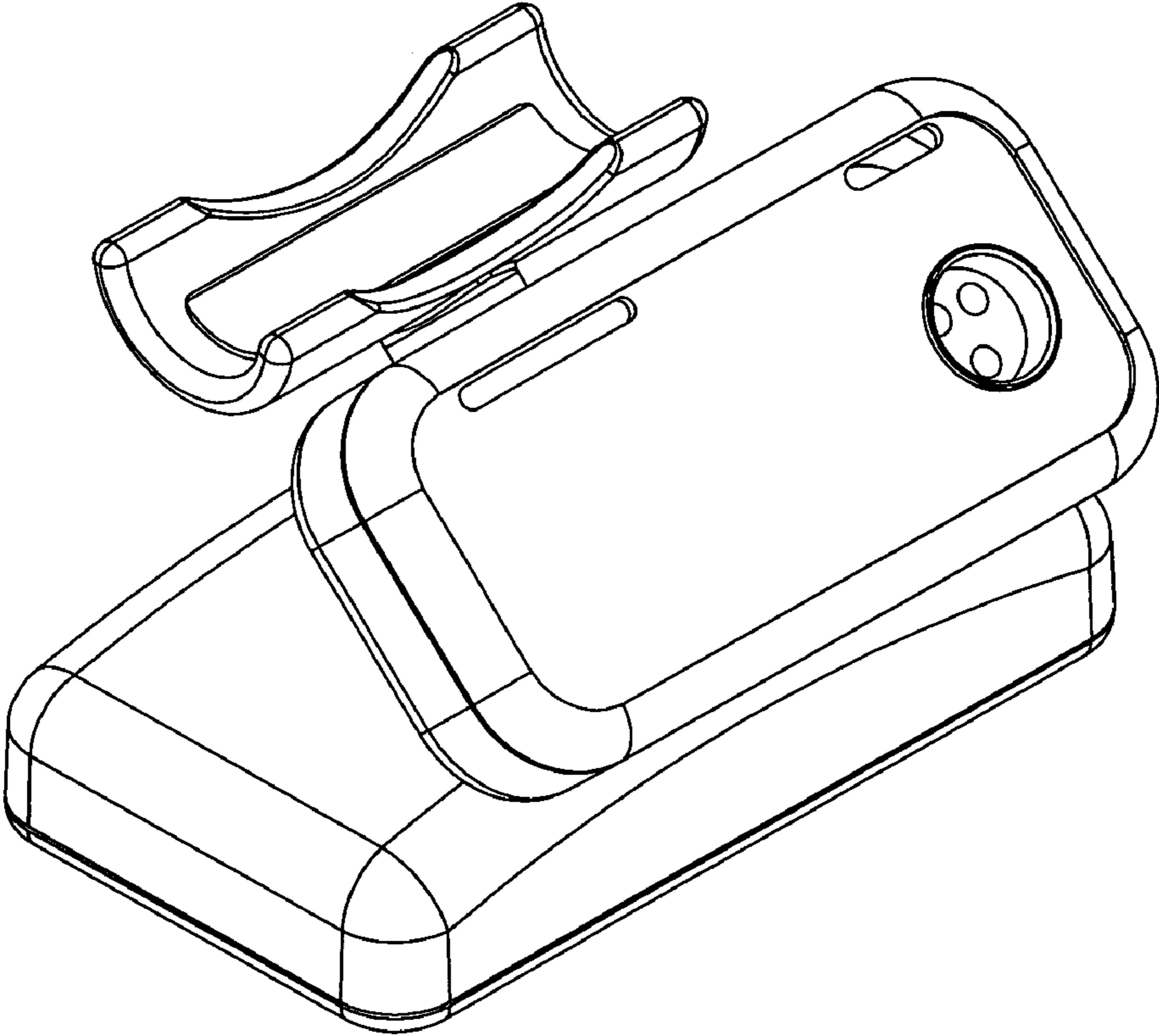


Fig. 1

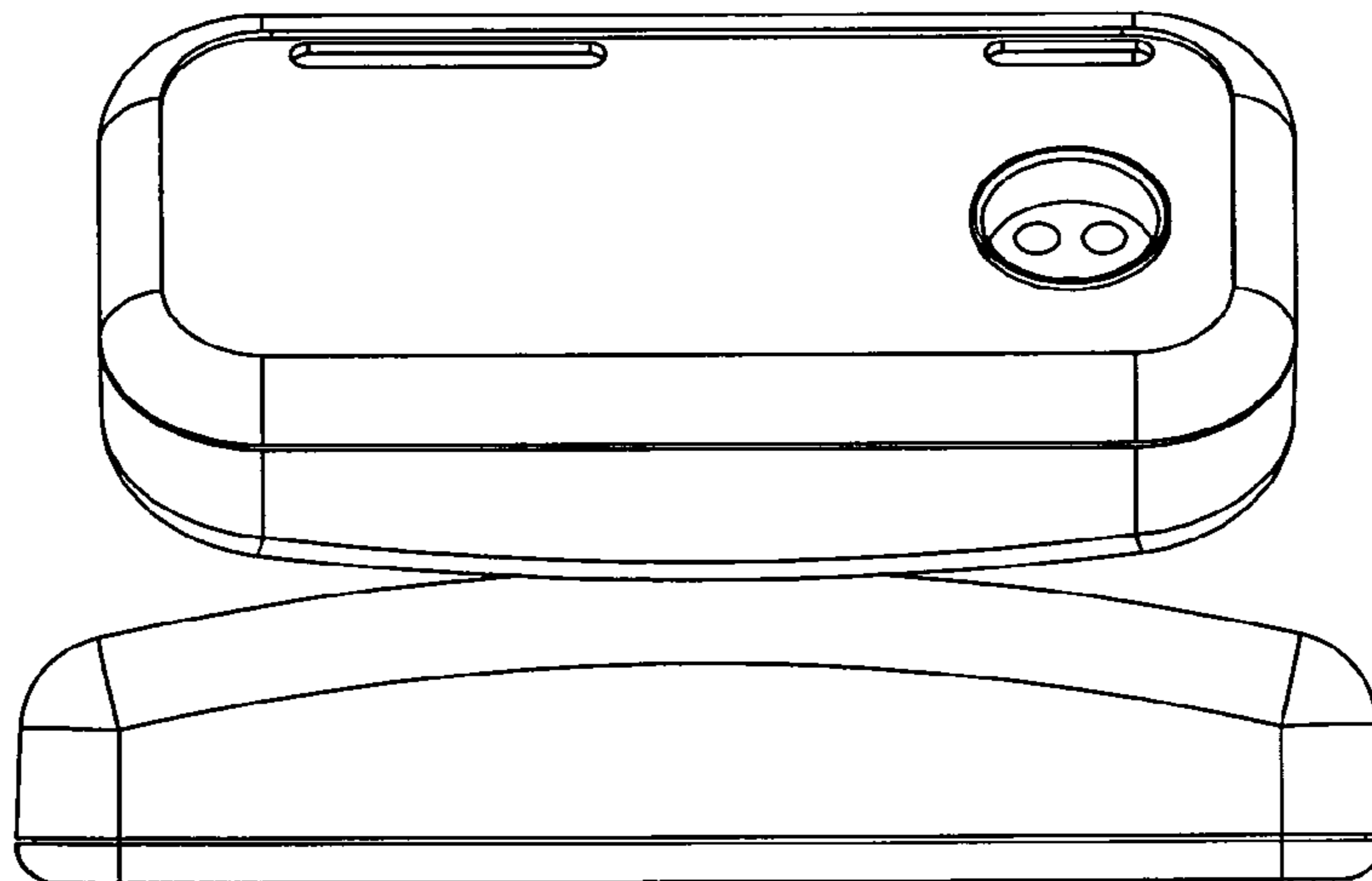


Fig. 2

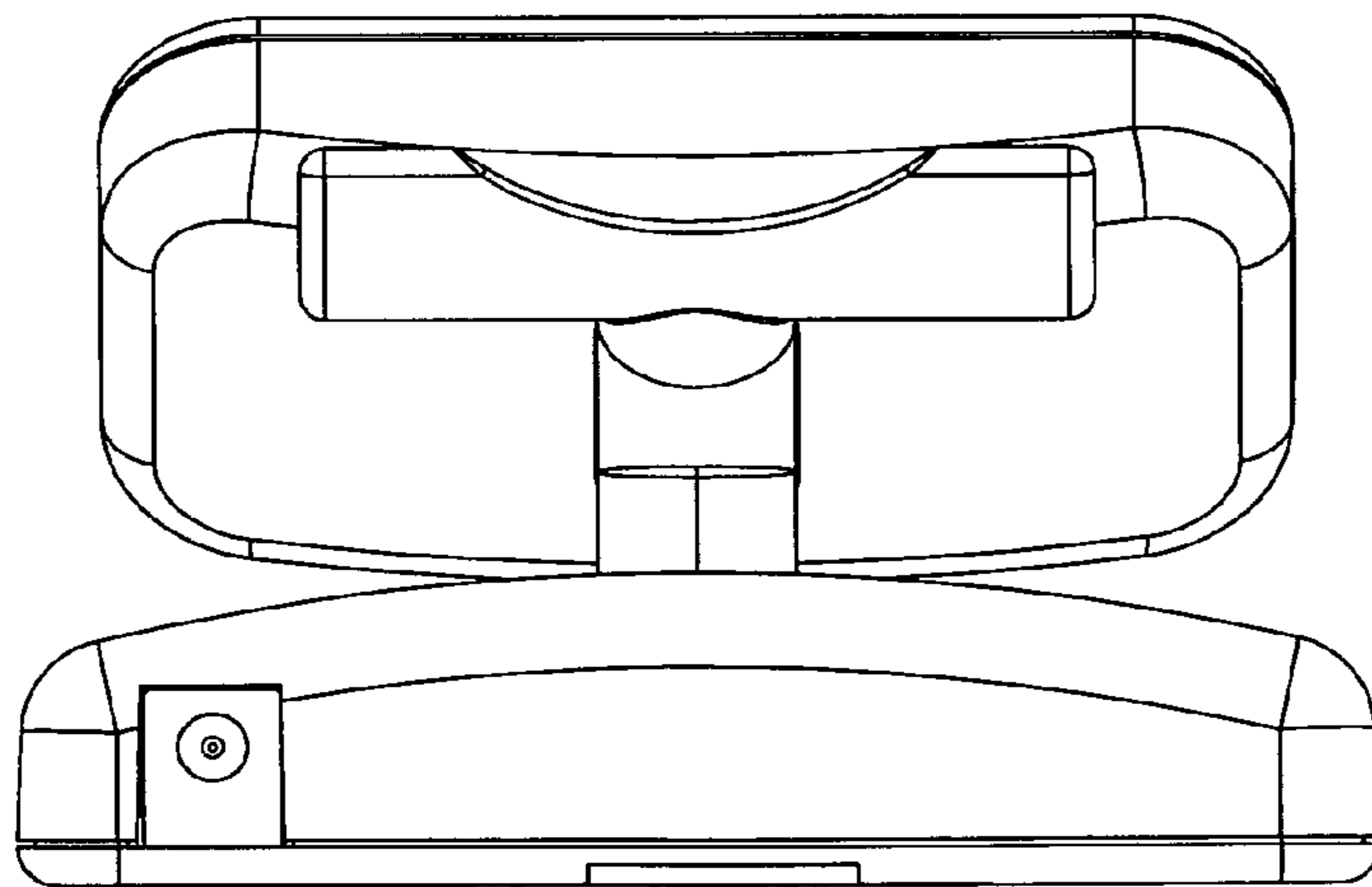


Fig. 3

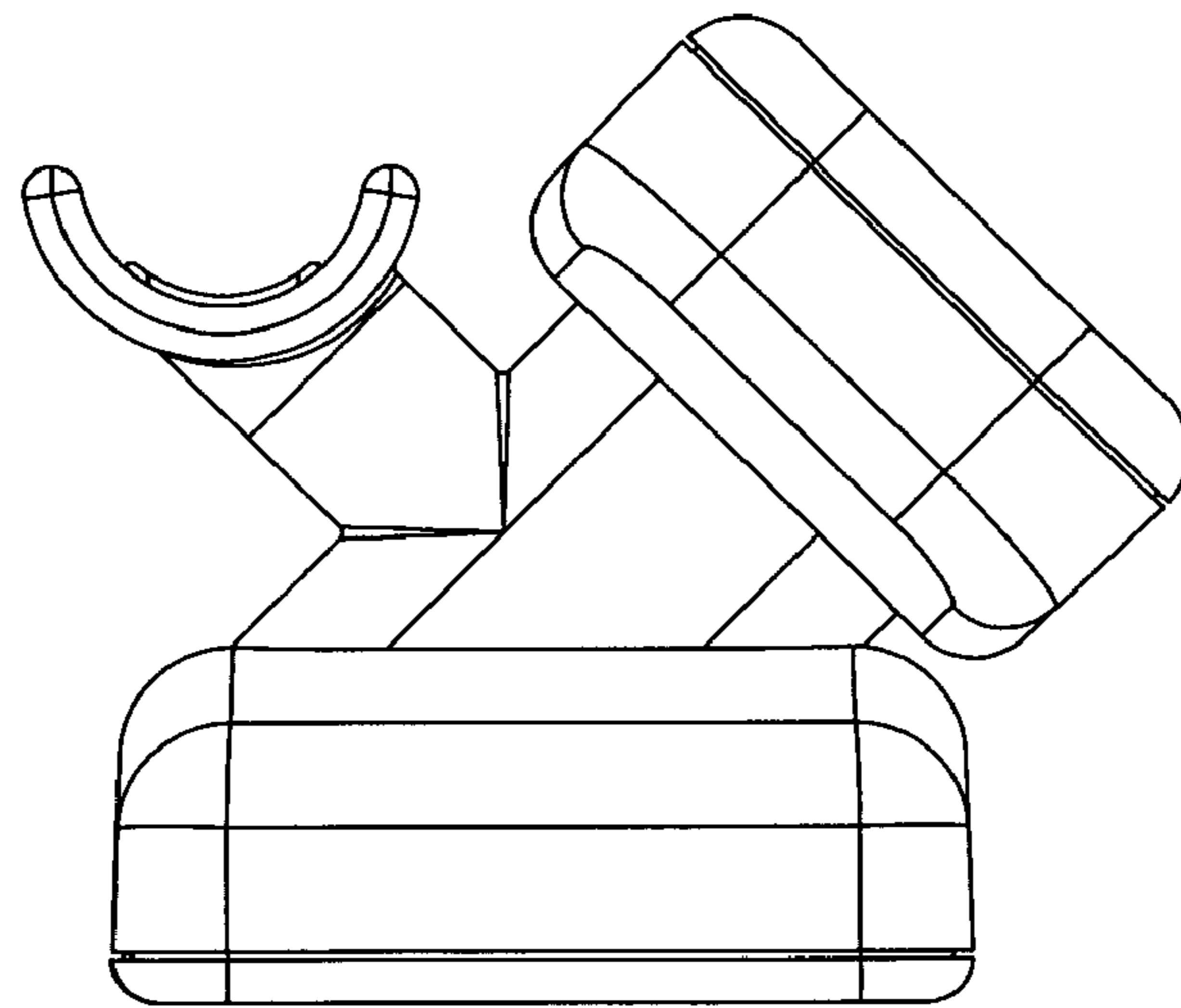


Fig. 4

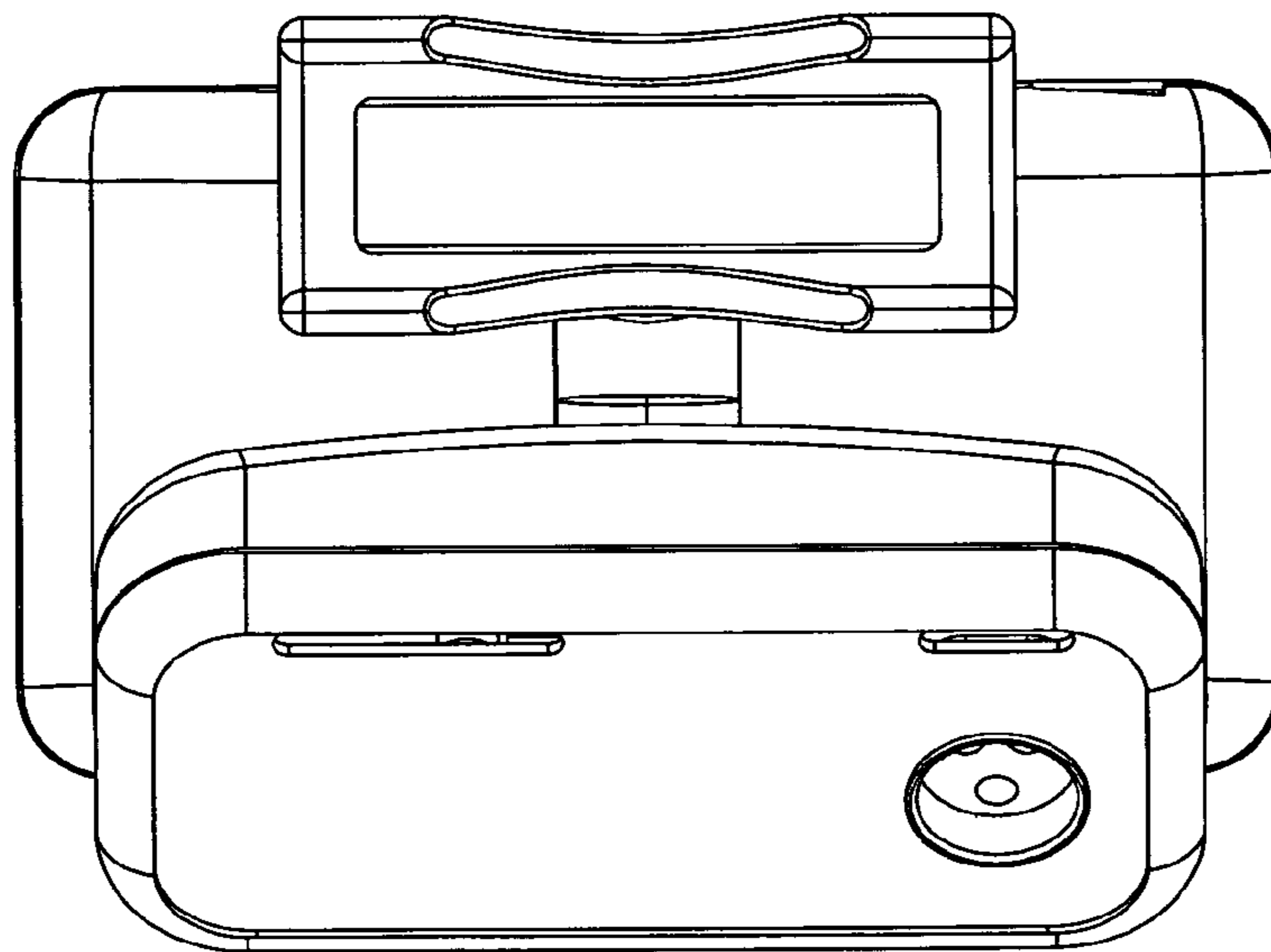


Fig. 5

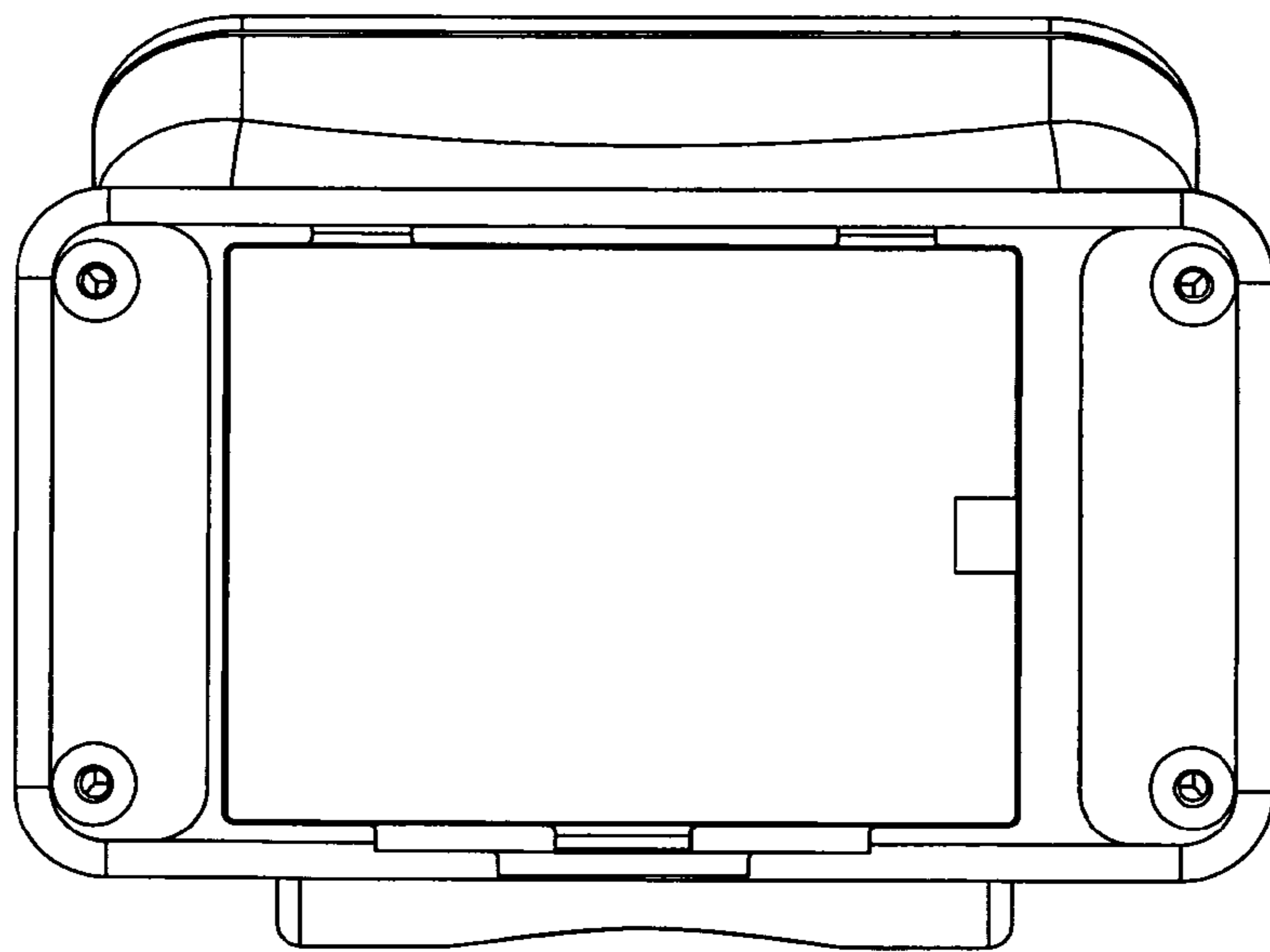


Fig. 6