



US00D649551S

(12) **United States Design Patent**
Hwang et al.

(10) **Patent No.:** **US D649,551 S**

(45) **Date of Patent:** **** Nov. 29, 2011**

(54) **DOCKING STATION**

(75) Inventors: **Steven Hwang**, San Francisco, CA (US);
Christopher C. Jones, San Francisco,
CA (US)

(73) Assignee: **Cisco Technology, Inc.**, San Jose, CA
(US)

(**) Term: **14 Years**

(21) Appl. No.: **29/392,260**

(22) Filed: **May 19, 2011**

Related U.S. Application Data

(62) Division of application No. 29/364,773, filed on Jun.
28, 2010, now Pat. No. Des. 639,811.

(51) **LOC (9) Cl.** **14-02**

(52) **U.S. Cl.** **D14/434**; D13/107; D13/108

(58) **Field of Classification Search** D14/432-434,
D14/314, 204, 420, 421, 447, 217, 358; D13/107,
D13/108, 146; D8/373; 248/346.03, 176.1;
361/679.41, 679.31, 679.32, 679.4, 679.43,
361/679.55; 320/109, 112-115
See application file for complete search history.

(56) **References Cited**

U.S. PATENT DOCUMENTS

D442,141 S 5/2001 Ikenaga
D469,097 S 1/2003 Liu
7,145,603 B2 12/2006 Whitby et al.
D540,802 S 4/2007 Hussaini et al.

D554,107 S 10/2007 Calco et al.
D579,917 S 11/2008 Marchand et al.
D584,731 S 1/2009 Montgomery et al.
D607,879 S 1/2010 Ferber et al.
D609,707 S 2/2010 Lee
D639,811 S * 6/2011 Hwang et al. D14/434
2008/0219488 A1 9/2008 Crooijmans et al.
2010/0118485 A1 5/2010 Crooijmans et al.

* cited by examiner

Primary Examiner — Freda S Nunn

(74) *Attorney, Agent, or Firm* — Edell, Shapiro & Finnan,
LLC

(57) **CLAIM**

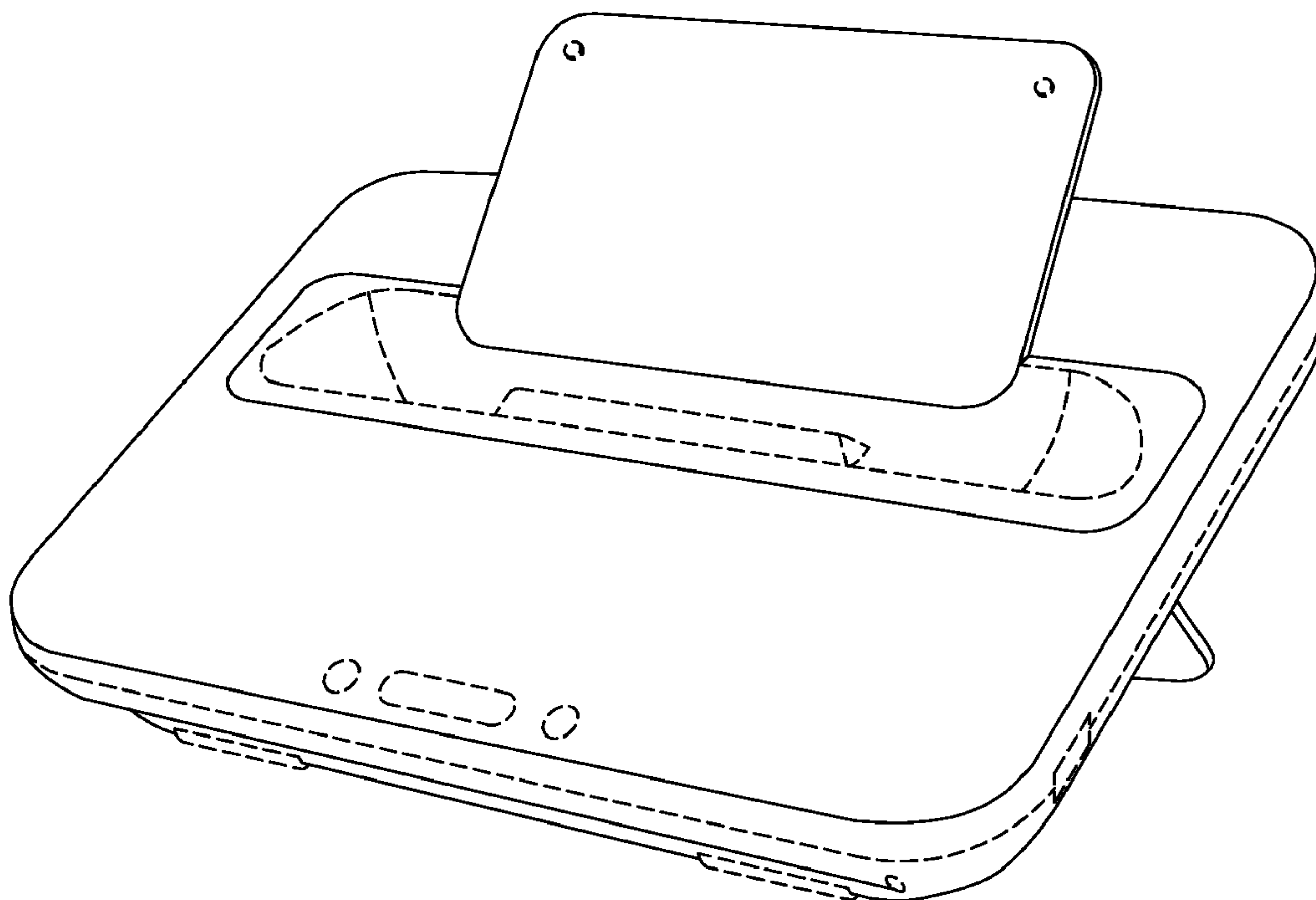
The ornamental design for a docking station, as shown and
described.

DESCRIPTION

FIG. 1 is a front perspective view of the docking station
according to the new design;
FIG. 2 is a rear perspective view thereof;
FIG. 3 is a front view thereof;
FIG. 4 is a rear view thereof;
FIG. 5 is a top view thereof;
FIG. 6 is a bottom view thereof;
FIG. 7 is a right side view thereof;
FIG. 8 is a left side view thereof; and,
FIG. 9 is a front view thereof showing the docking station
thereof with an example of a tablet computer device seated
therein.

Broken lines shown in the drawings are included for environ-
mental purposes only and form no part of the claimed design.

1 Claim, 9 Drawing Sheets



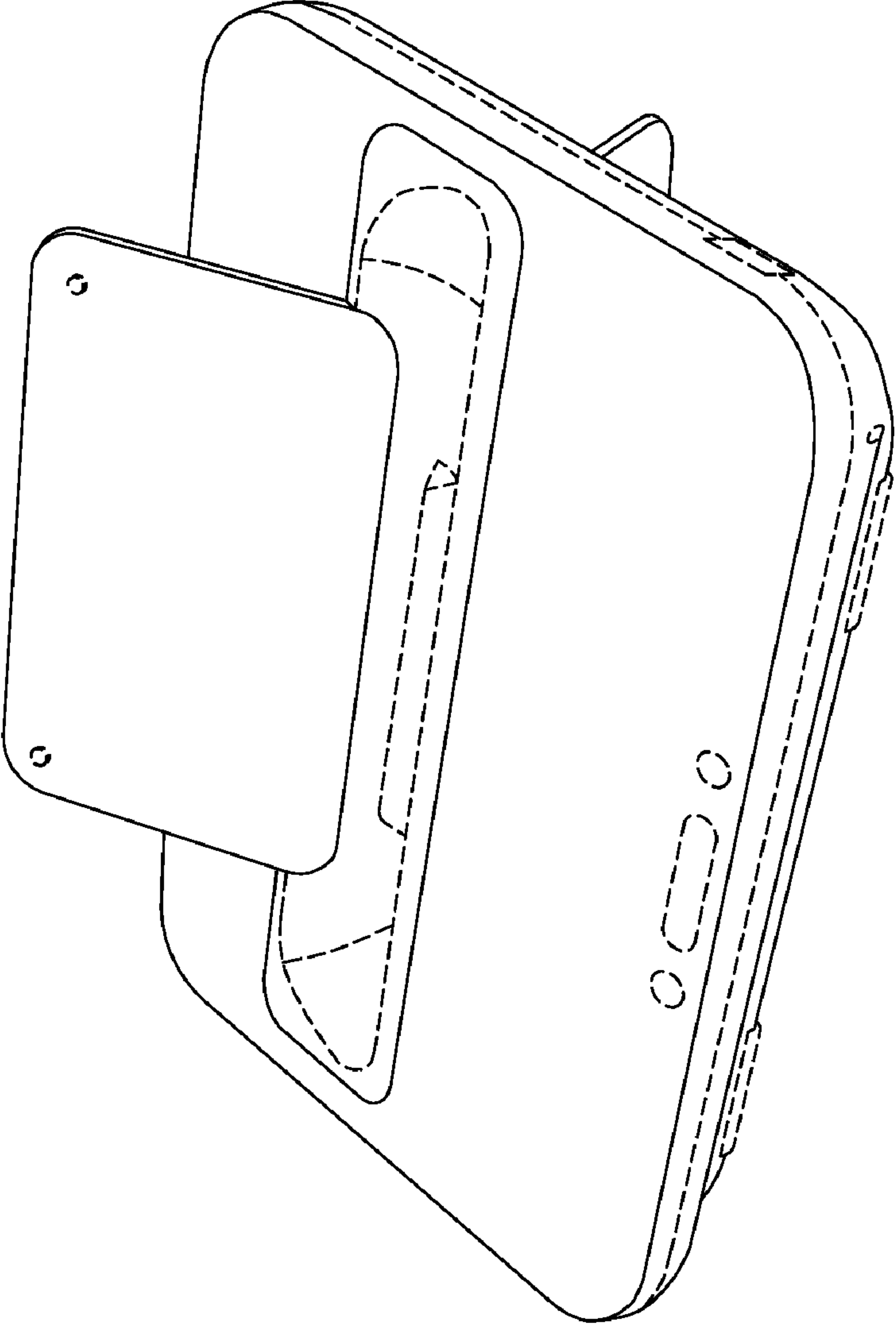


FIG.1

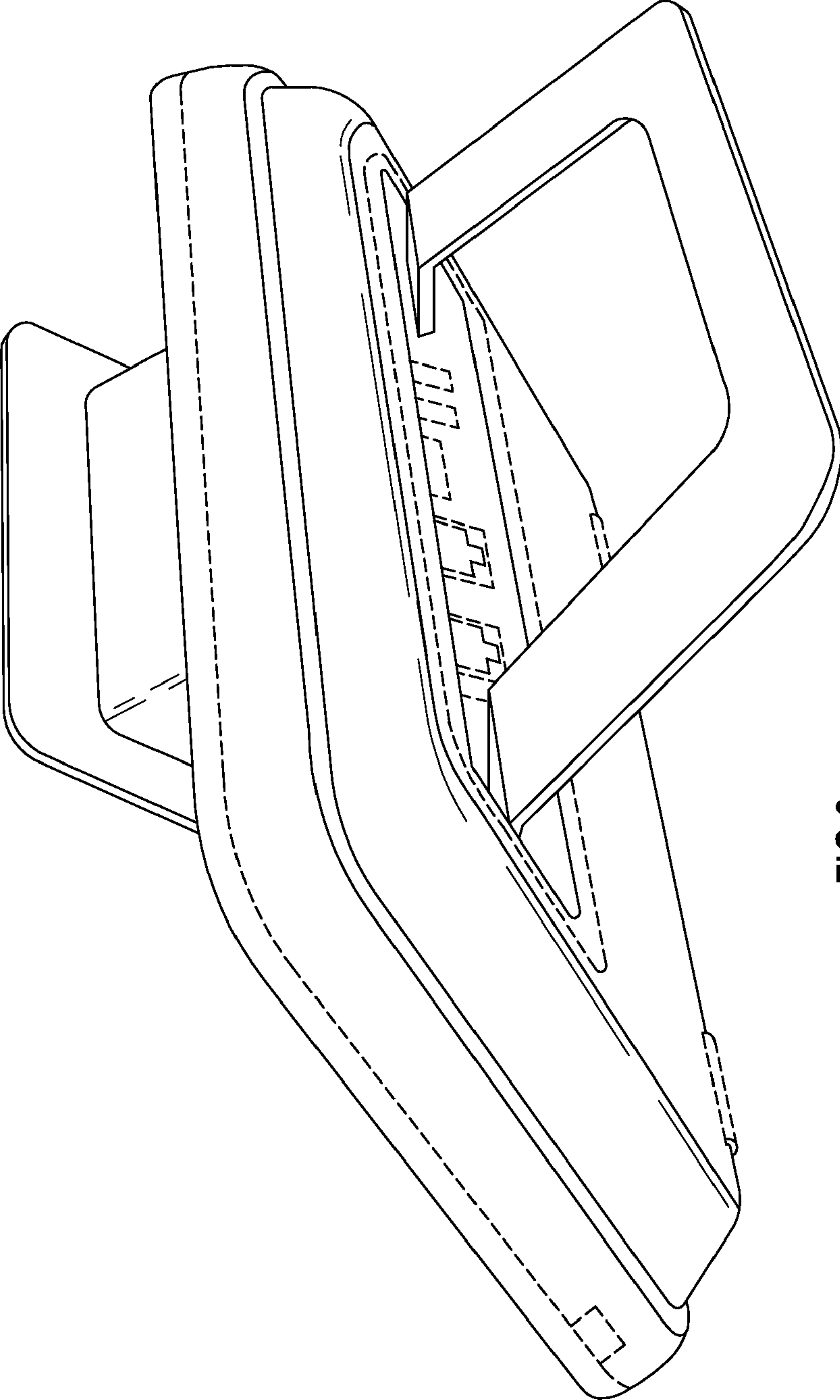


FIG.2

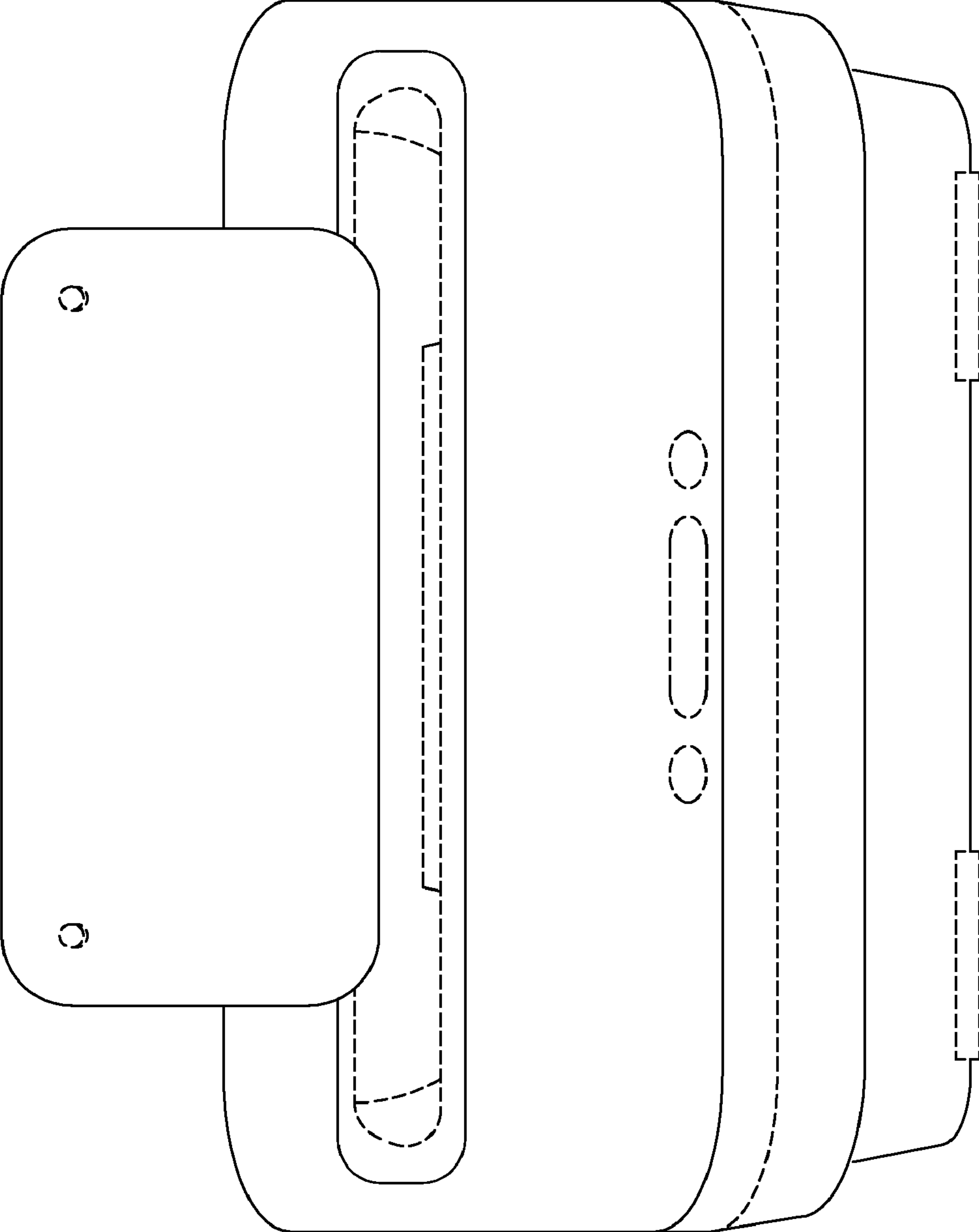


FIG.3

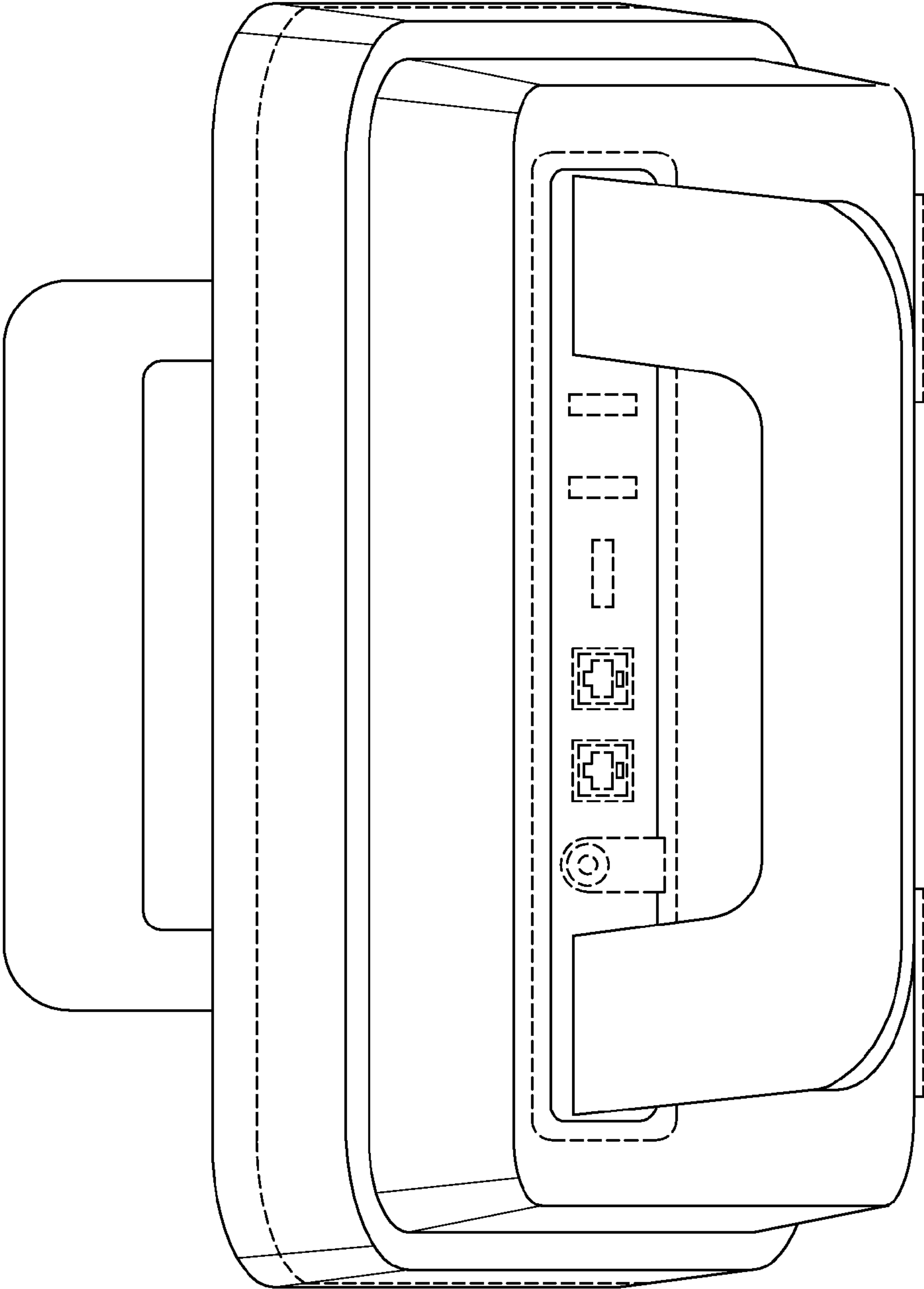


FIG.4

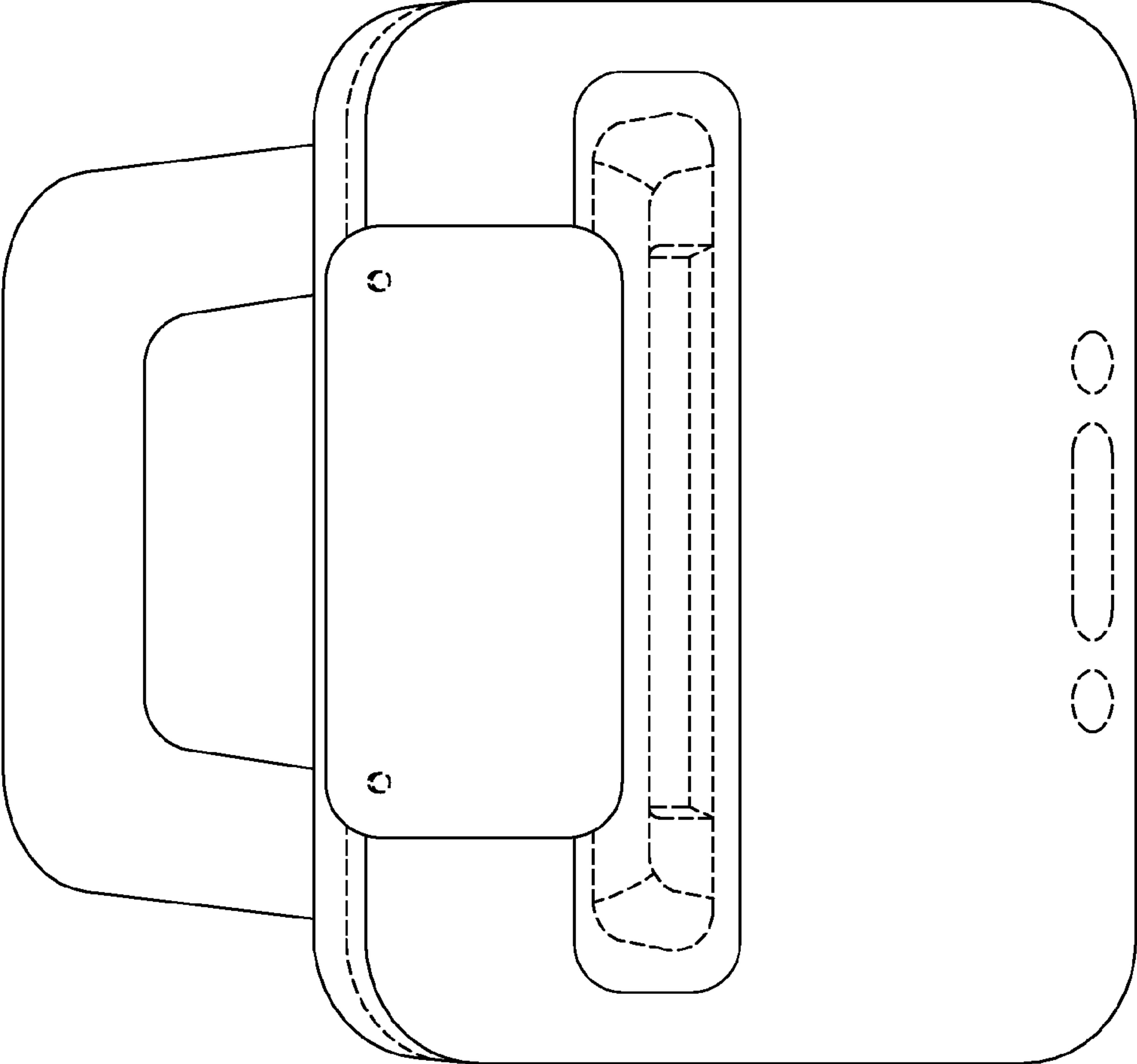


FIG.5

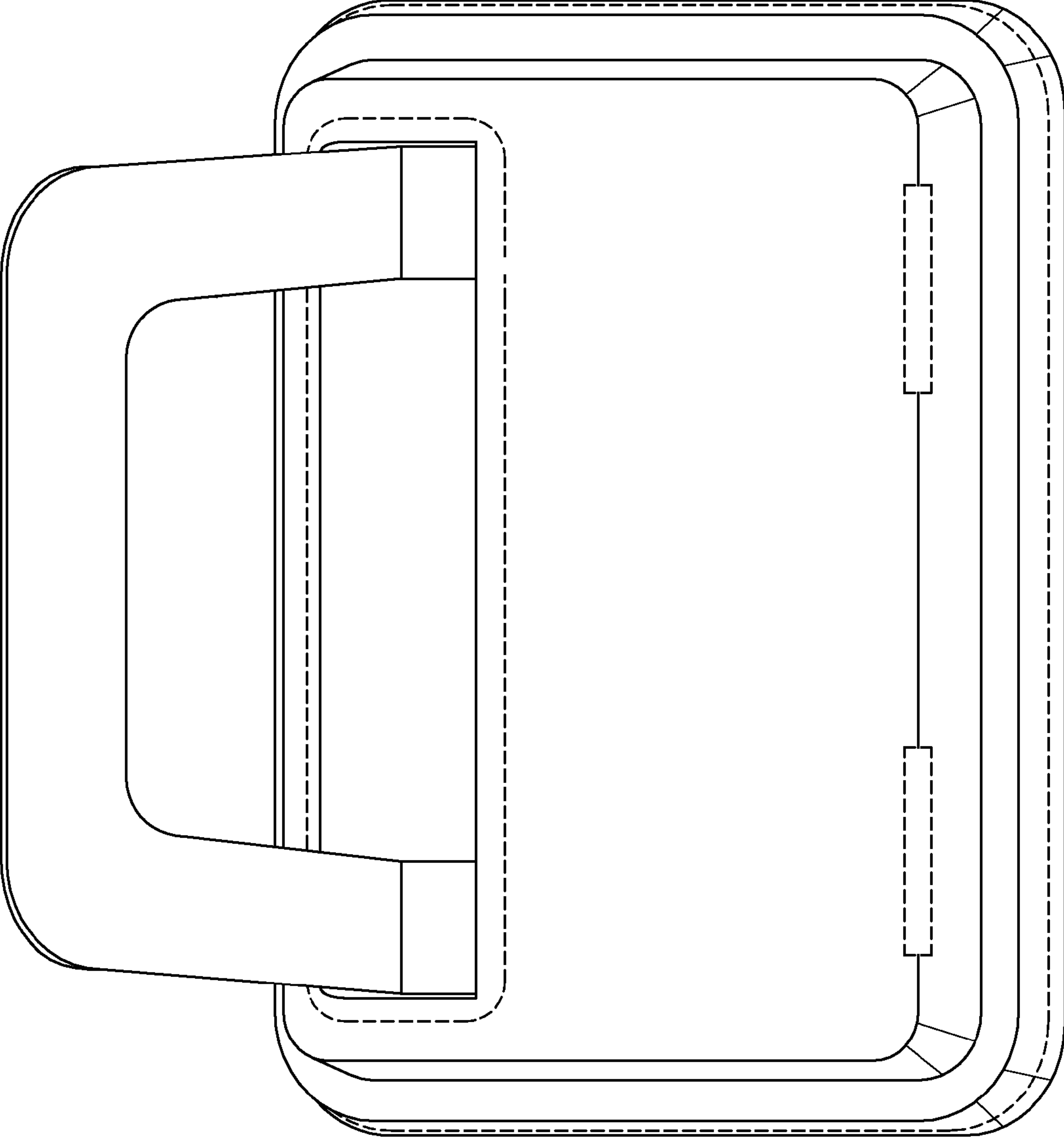


FIG.6

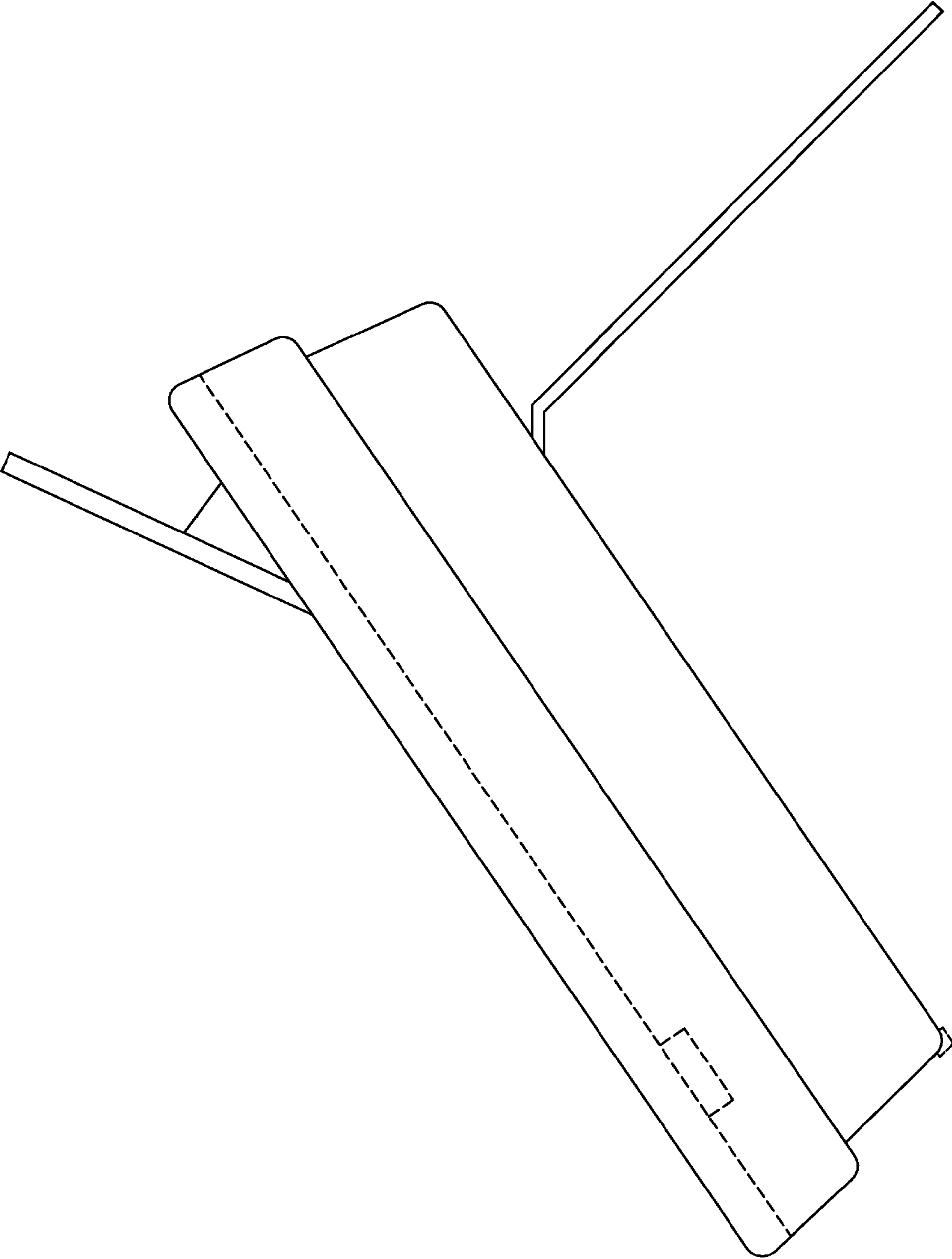


FIG.7

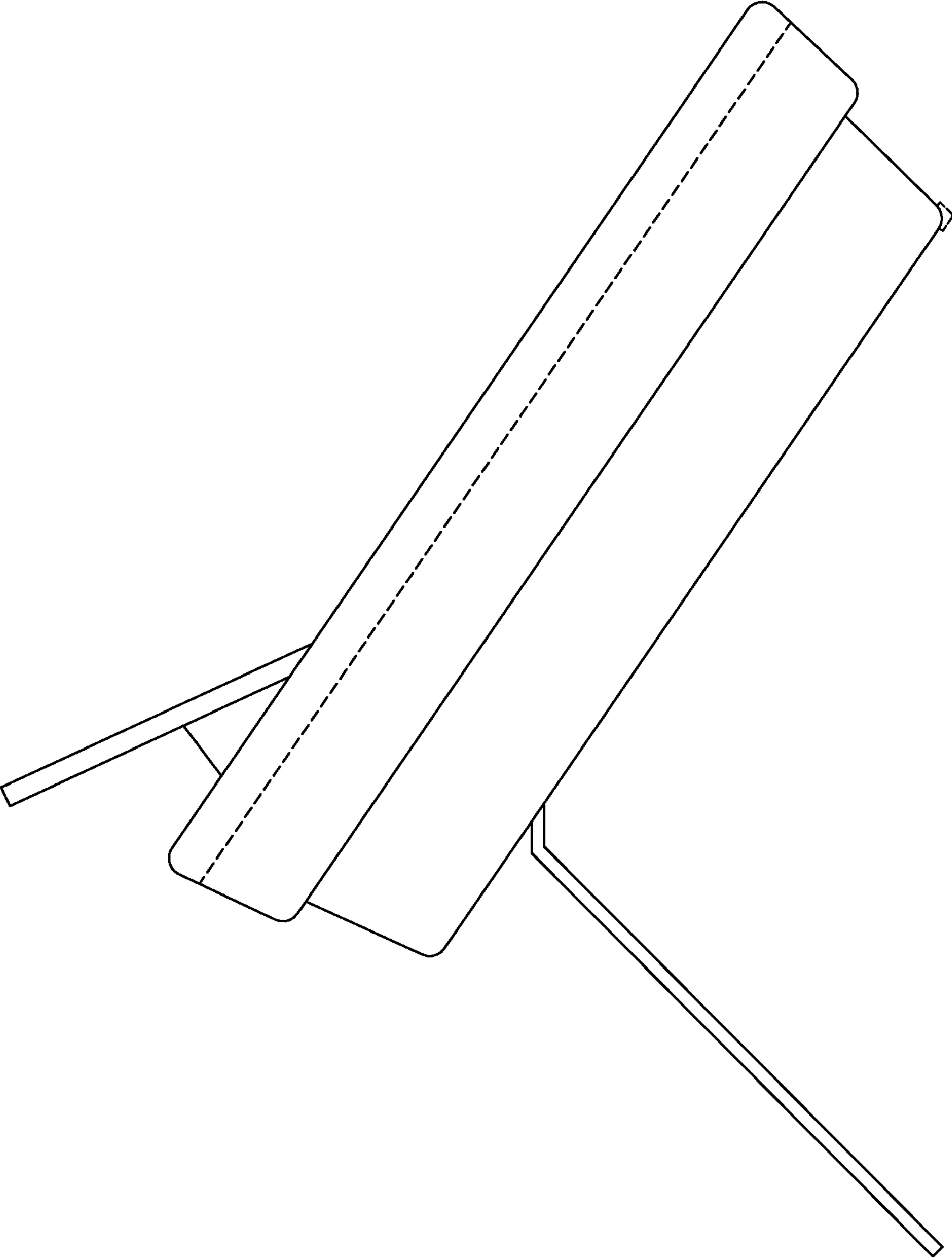


FIG.8

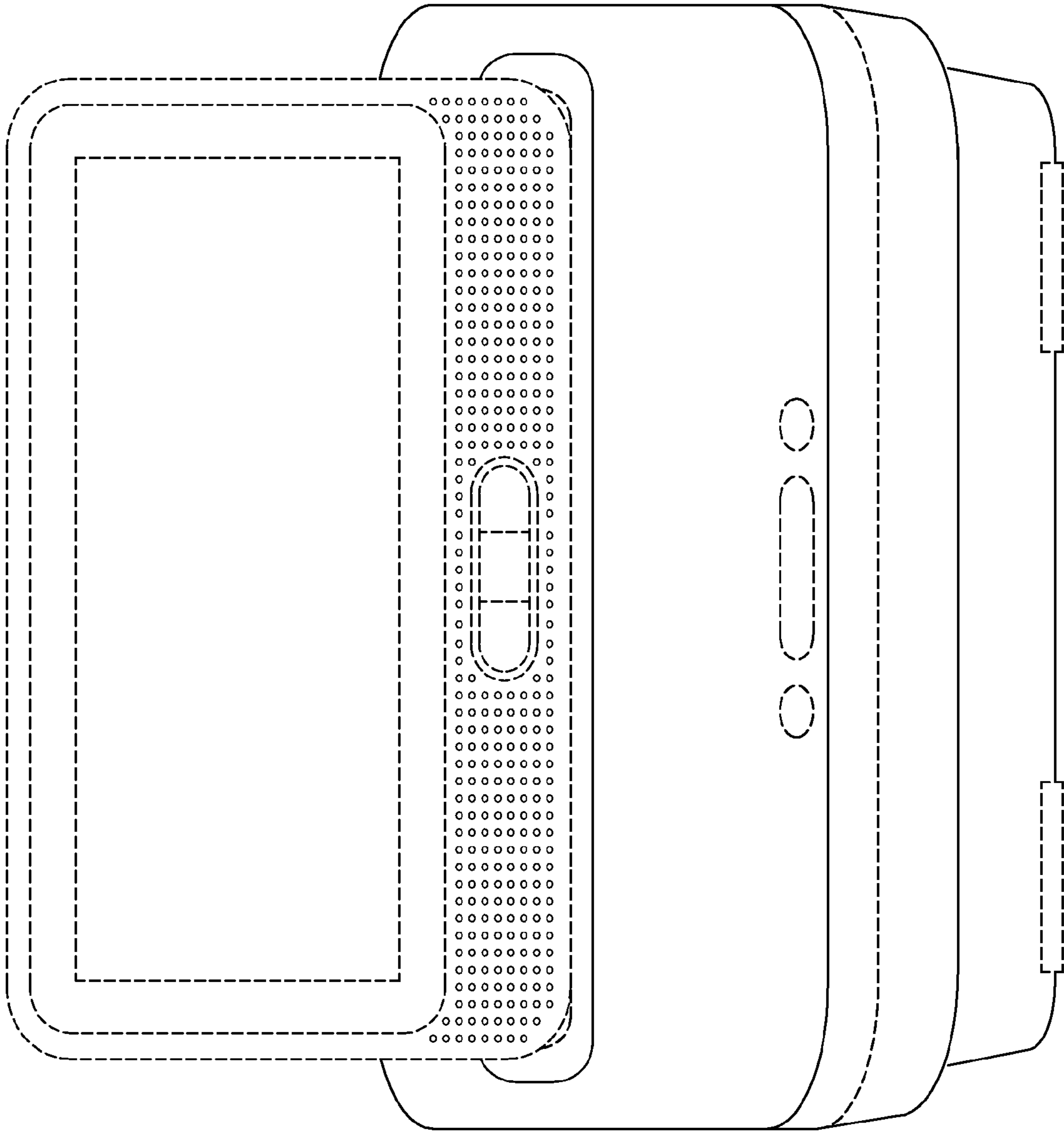


FIG.9