



US00D649546S

(12) **United States Design Patent**  
**Kim et al.**

(10) **Patent No.:** **US D649,546 S**  
(45) **Date of Patent:** **\*\* Nov. 29, 2011**

(54) **NOTEBOOK COMPUTER**  
(75) Inventors: **Chung-Ha Kim**, Seoul (KR);  
**Jung-Hwan Hong**, Seoul (KR)  
(73) Assignee: **Samsung Electronics Co., Ltd.**, Suwon,  
Kyunggi-Do (KR)  
(\*\*) Term: **14 Years**  
(21) Appl. No.: **29/373,053**  
(22) Filed: **Feb. 23, 2011**

D523,852 S 6/2006 Kim et al.  
D524,306 S 7/2006 Yun et al.  
D524,307 S 7/2006 Kim et al.  
D535,652 S 1/2007 Lee et al.  
D547,309 S 7/2007 Yoon  
D547,310 S 7/2007 Yoon  
D556,192 S 11/2007 Jeong et al.  
D567,236 S 4/2008 Yoon  
D578,523 S 10/2008 Yoon  
D578,524 S 10/2008 Yoon  
D578,525 S 10/2008 Yoon  
D580,432 S 11/2008 Yun et al.  
D586,343 S 2/2009 Lee et al.  
D586,796 S 2/2009 Lee et al.  
D586,797 S 2/2009 Kawase et al.

(Continued)

(30) **Foreign Application Priority Data**

Dec. 3, 2010 (KR) ..... 30-2010-0052424

(51) **LOC (9) Cl.** ..... **14-02**  
(52) **U.S. Cl.** ..... **D14/327**  
(58) **Field of Classification Search** ..... D14/315-328,  
D14/341-345; D18/1, 2, 7, 11; D3/276,  
D3/282, 289, 294, 900, 215, 218, 321, 327;  
341/22, 23; 361/679.08, 679.09, 679.26,  
361/679.27; 400/486, 489; 206/320  
See application file for complete search history.

(56) **References Cited**

**U.S. PATENT DOCUMENTS**

D332,944 S 2/1993 Kim  
D334,738 S 4/1993 Kim  
D335,870 S 5/1993 Yun  
D336,465 S 6/1993 Kim  
D338,457 S 8/1993 Kim  
D348,442 S 7/1994 Yoon  
6,067,224 A \* 5/2000 Nobuchi ..... 361/679.27  
6,519,139 B2 \* 2/2003 Kambayashi ..... 361/679.09  
D492,678 S 7/2004 Kim et al.  
D511,515 S \* 11/2005 Huang et al. .... D14/327  
7,035,665 B2 \* 4/2006 Kido et al. .... 455/566  
D523,010 S 6/2006 Paek et al.  
D523,431 S 6/2006 Yoon  
D523,851 S 6/2006 Jeong et al.

**OTHER PUBLICATIONS**

U.S. Appl. No. 29/370,831, Applicant: Seung-Ho Jung, et al., filed  
Sep. 10, 2010 entitled Notebook Computer.

(Continued)

*Primary Examiner* — Freda S Nunn  
(74) *Attorney, Agent, or Firm* — Flynn, Thiel, Boutell &  
Tanis, P.C.

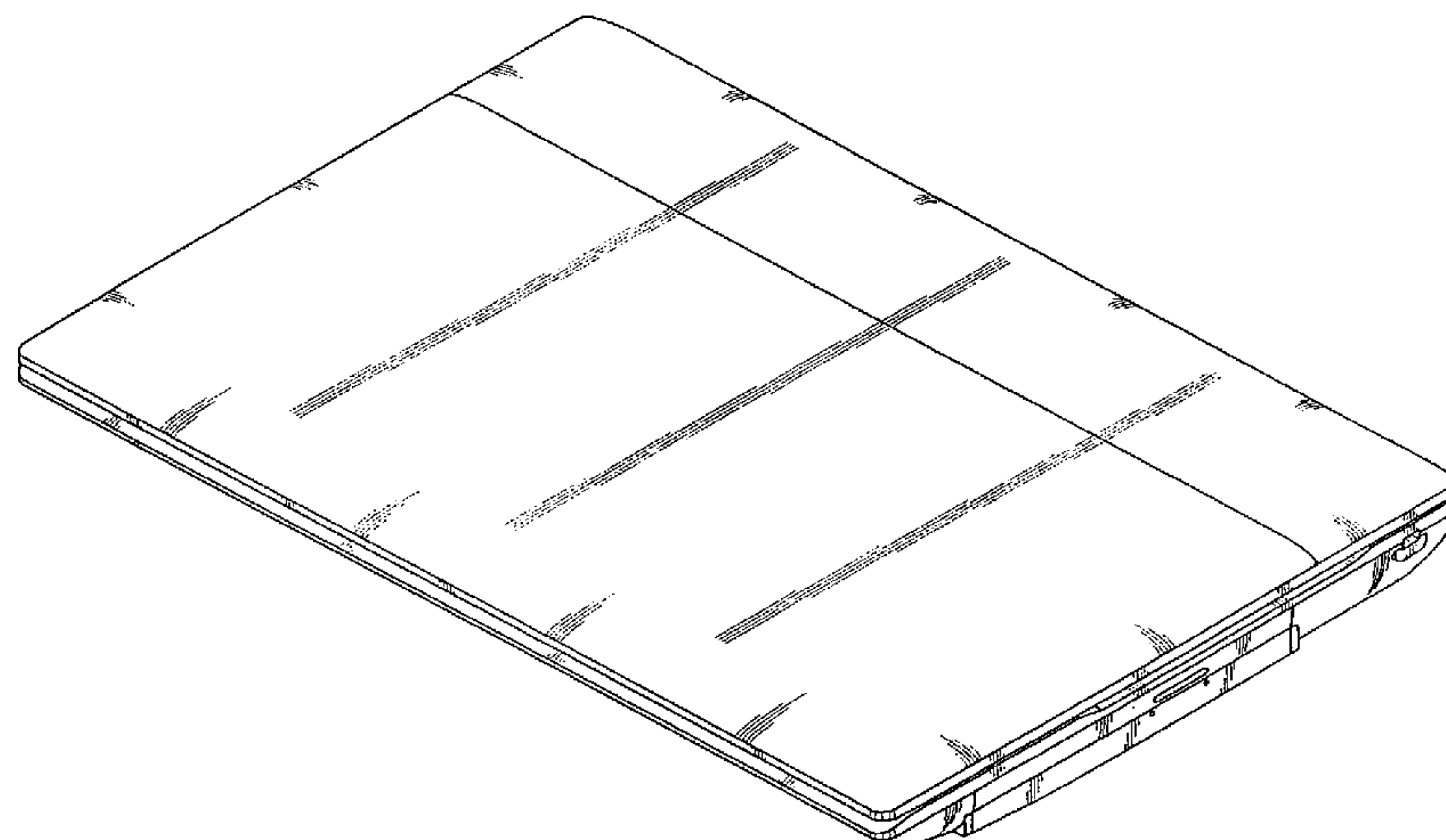
(57) **CLAIM**

The ornamental design for a notebook computer, as shown  
and described.

**DESCRIPTION**

FIG. 1 is a top front perspective view of a notebook computer  
showing our new design;  
FIG. 2 is a front elevational view thereof;  
FIG. 3 is a rear elevational view thereof;  
FIG. 4 is a left side elevational view thereof;  
FIG. 5 is a right side elevational view thereof;  
FIG. 6 is a top plan view thereof; and,  
FIG. 7 is a bottom plan view thereof.

**1 Claim, 3 Drawing Sheets**



# US D649,546 S

Page 2

## U.S. PATENT DOCUMENTS

D587,701 S 3/2009 Yoon  
D596,633 S 7/2009 Kawase et al.  
D603,391 S 11/2009 Song et al.  
D603,392 S 11/2009 Jeong et al.  
D603,393 S 11/2009 Paek  
D603,394 S 11/2009 Lee  
D603,395 S 11/2009 Hong et al.  
D603,861 S 11/2009 Hong et al.  
D606,067 S 12/2009 Yoon  
D606,068 S 12/2009 Hong et al.  
D606,069 S 12/2009 Heck et al.  
D606,070 S 12/2009 Heck et al.  
D606,534 S 12/2009 Hong et al.  
D608,777 S 1/2010 Yoon  
D611,468 S 3/2010 Yun et al.  
D614,614 S 4/2010 Yoon  
D614,615 S 4/2010 Yoon  
D622,268 S 8/2010 Hong et al.  
D626,546 S 11/2010 Paek  
D627,341 S \* 11/2010 Yoon ..... D14/315  
D627,773 S 11/2010 Paek  
D628,195 S \* 11/2010 Yoon ..... D14/315  
D631,040 S 1/2011 Yoon et al.  
D631,471 S 1/2011 Jensen et al.  
D631,472 S 1/2011 Kawase et al.  
D631,473 S 1/2011 Lee et al.  
D631,878 S 2/2011 Jensen et al.  
D631,879 S 2/2011 Kawase  
D633,487 S 3/2011 Kim et al.

D633,488 S 3/2011 Kim et al.  
D633,489 S 3/2011 Kim et al.  
D633,490 S 3/2011 Kim et al.  
2005/0041378 A1\* 2/2005 Hamada et al. .... 361/680

## OTHER PUBLICATIONS

U.S. Appl. No. 29/349,008, Applicant: Se-O Lee et al., filed Mar. 2, 2010 entitled Net Book.  
U.S. Appl. No. 29/349,010, Applicant: Seung-Hyun Paek et al., filed Mar. 2, 2010 entitled Net Book.  
U.S. Appl. No. 29/349,022, Applicant: Sang-Won Yoon, et al., filed Mar. 2, 2010 entitled Net Book.  
U.S. Appl. No. 29/349,397, Applicant: Atsushi Kawase, filed Mar. 31, 2010 entitled Net Book.  
U.S. Appl. No. 29/349,402, Applicant: Atsushi Kawase, filed Mar. 31, 2010 entitled Note Book.  
U.S. Appl. No. 29/349,403, Applicant: Atsushi Kawase, filed Mar. 31, 2010 entitled Net Book.  
U.S. Appl. No. 29/370,568, Applicant: Felix Heck, et al., filed Aug. 5, 2010 entitled Netbook Computer.  
U.S. Appl. No. 29/370,567, Applicant: Sang-Won Yoon, et al., filed Aug. 5, 2010 entitled Notebook Computer.  
U.S. Appl. No. 29/372,114, Applicant: Ji-Hyun Moon, et al., filed Oct. 15, 2010 entitled Notebook Computer.  
U.S. Appl. No. 29/373,052, Applicant: Chung-Ha Kim, et al., filed Feb. 23, 2011 entitled Notebook Computer.

\* cited by examiner

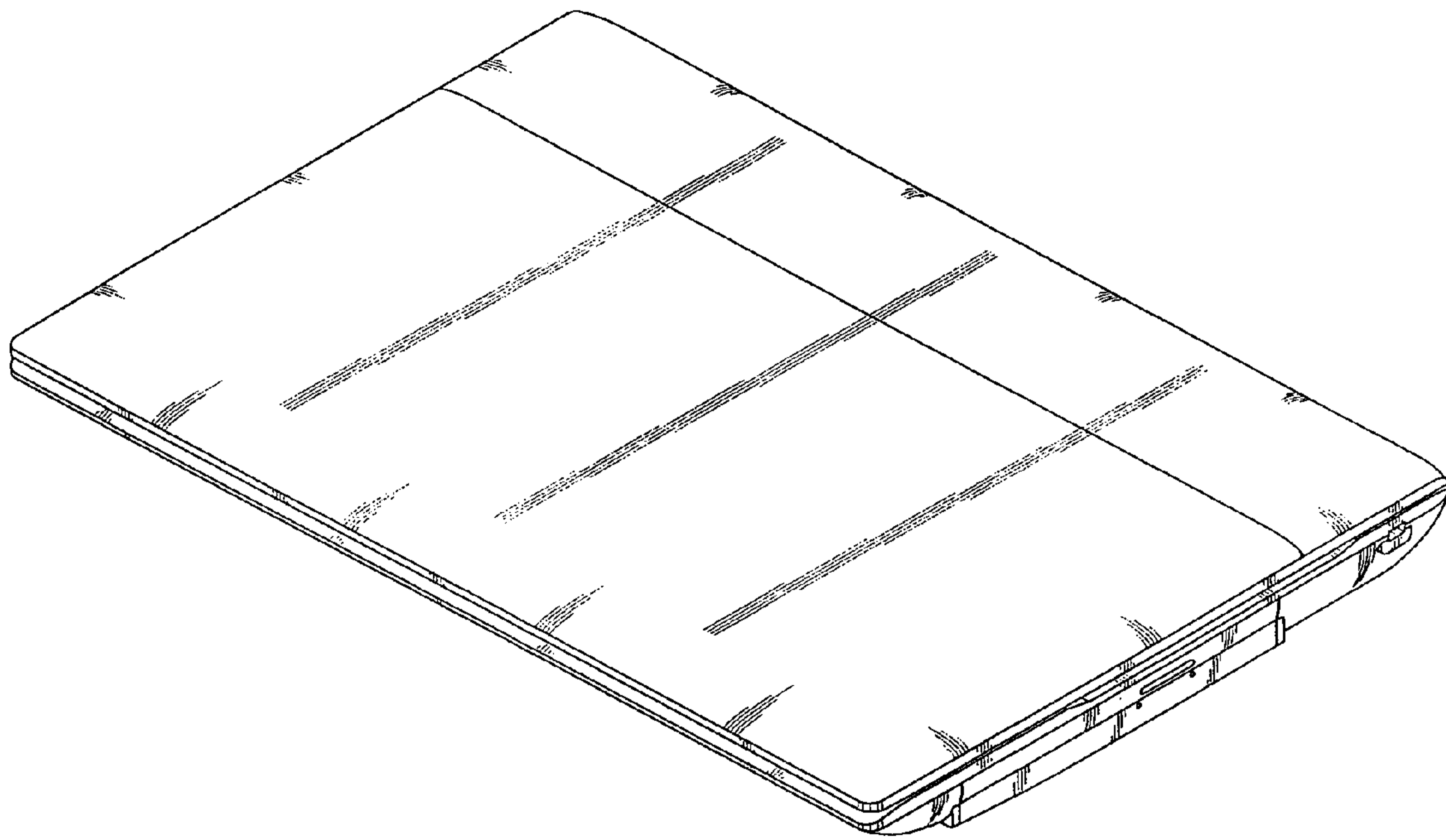


FIG.1

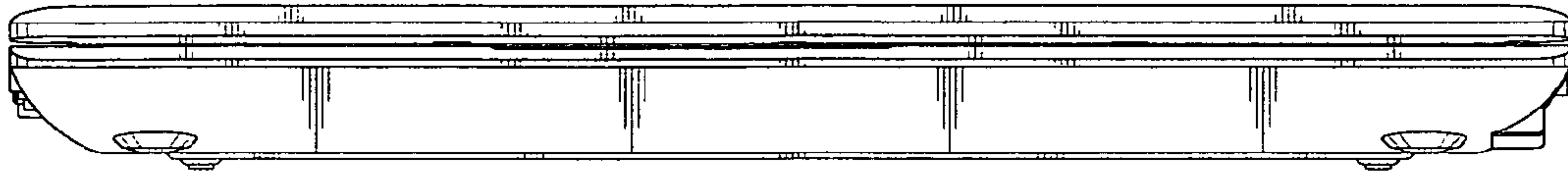


FIG. 2

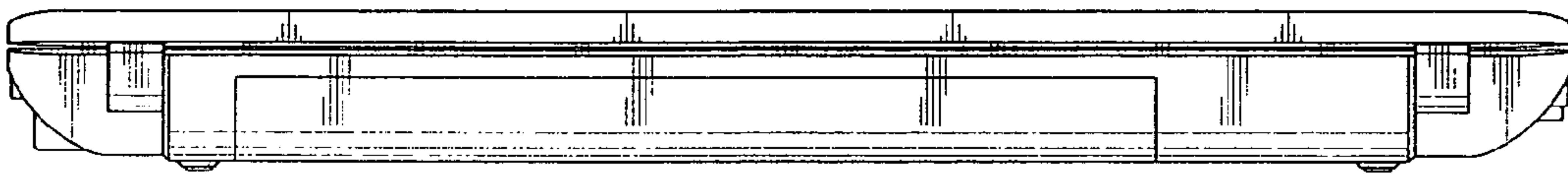


FIG. 3

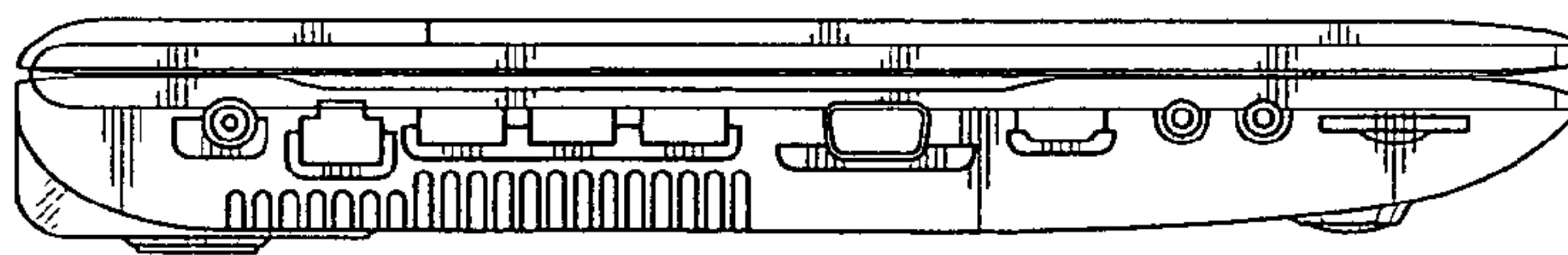


FIG. 4

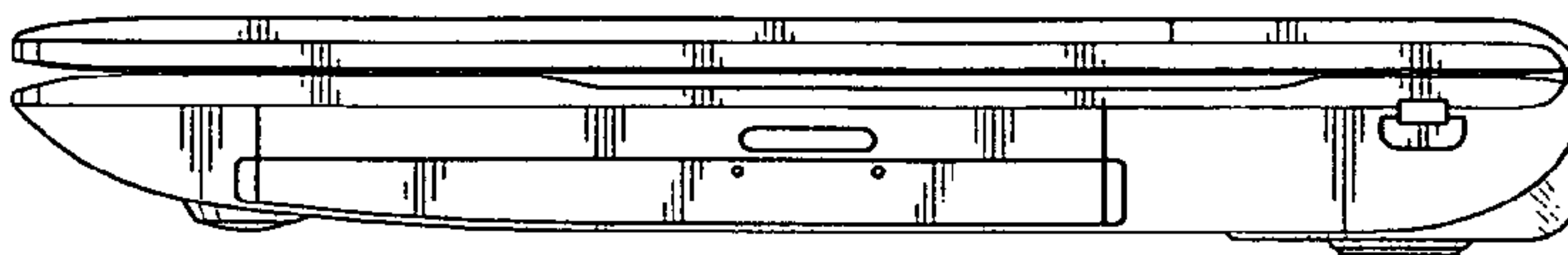


FIG. 5



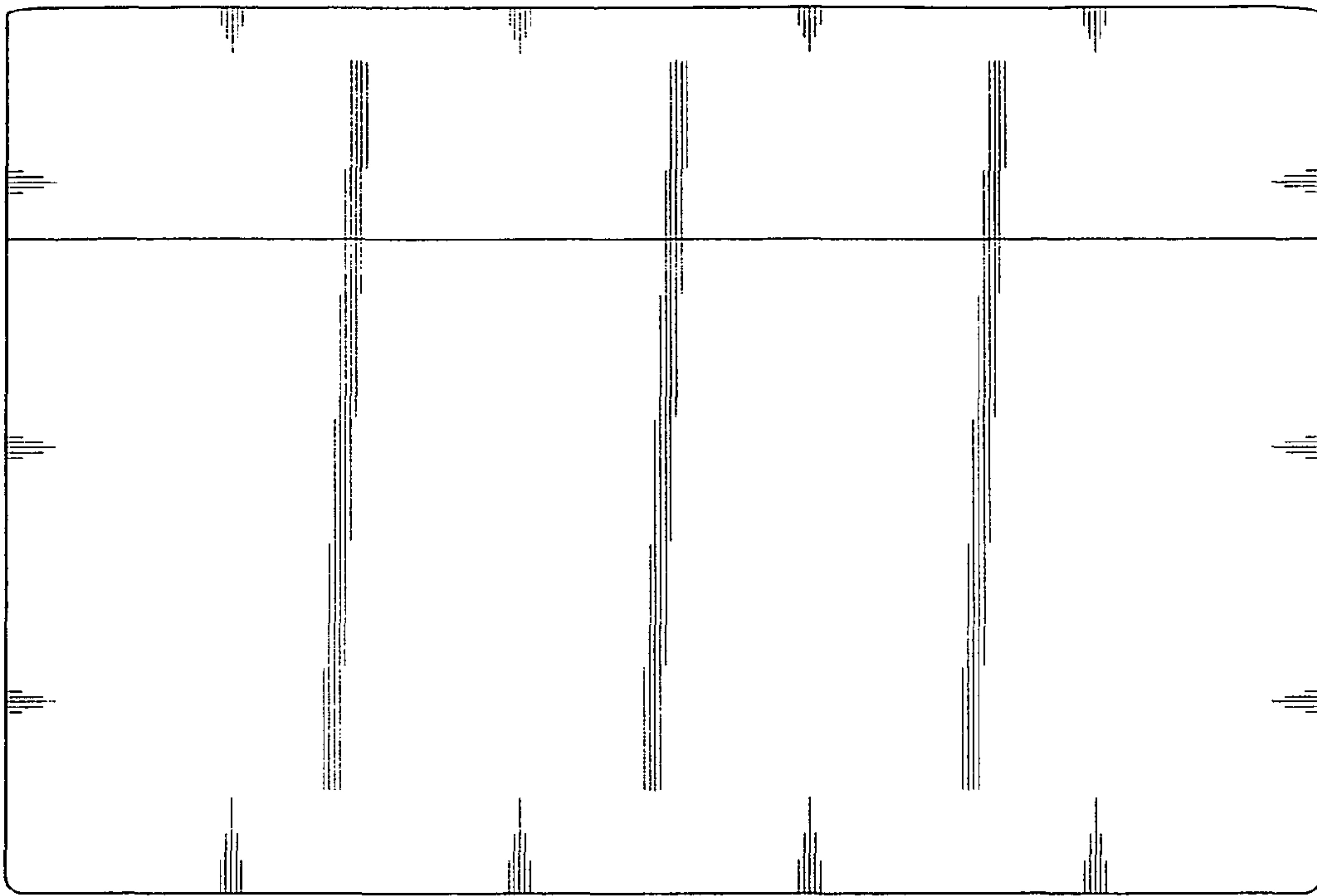


FIG. 6

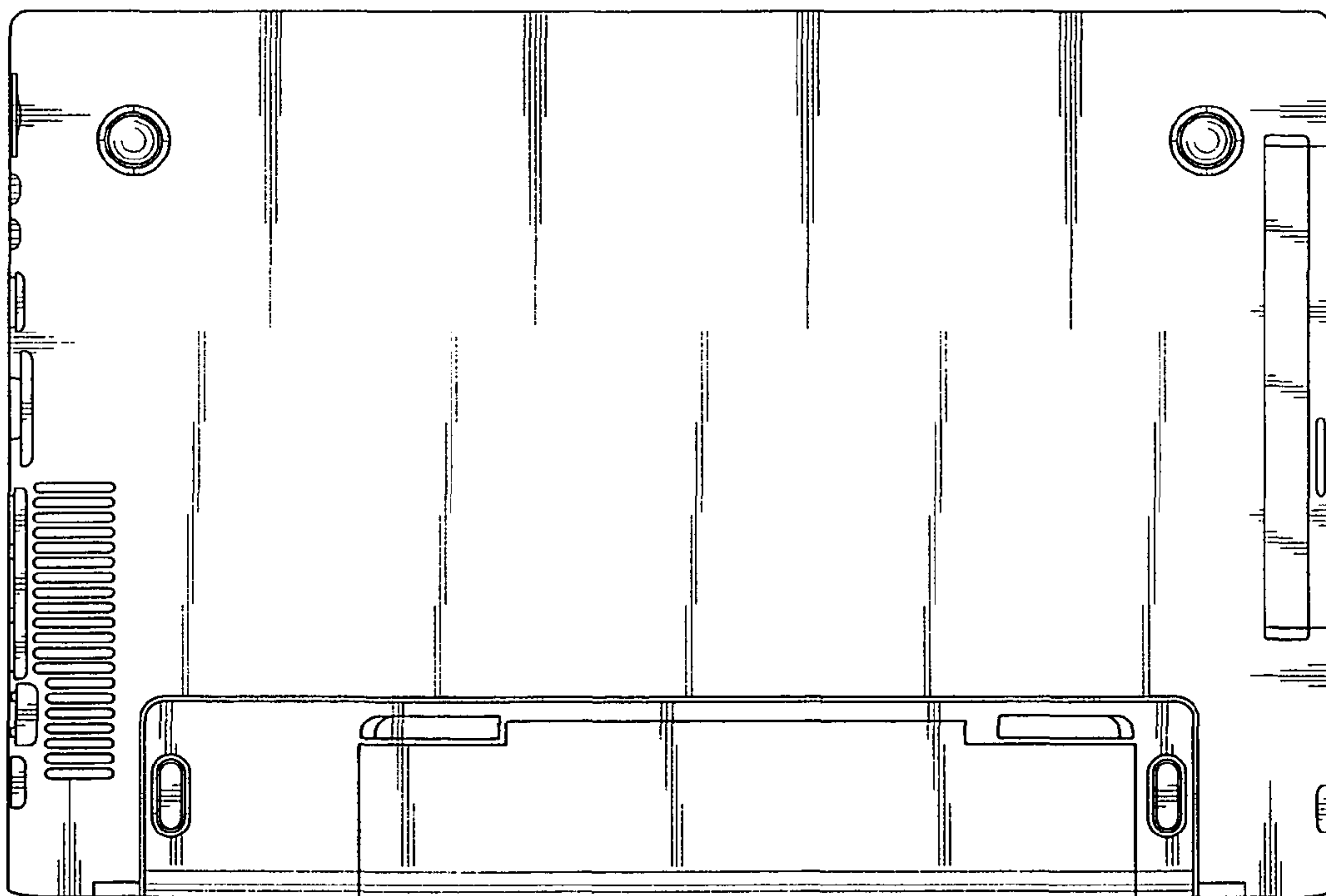


FIG. 7