



US00D649542S

(12) **United States Design Patent**
Yoon et al.

(10) **Patent No.:** **US D649,542 S**

(45) **Date of Patent:** **** Nov. 29, 2011**

(54) **NET BOOK**

(75) Inventors: **Sang-Won Yoon**, Seoul (KR);
Byeong-Yong Song, Kyunggi-do (KR);
Seung-Wook Jeong, Seoul (KR)

(73) Assignee: **Samsung Electronics Co., Ltd.**, Suwon,
Kyunggi-do (KR)

(**) Term: **14 Years**

(21) Appl. No.: **29/349,022**

(22) Filed: **Mar. 2, 2010**

(51) **LOC (9) Cl.** **14-02**

(52) **U.S. Cl.** **D14/315**

(58) **Field of Classification Search** D14/315-327,
D14/331, 341, 345; D18/1, 2, 7; 345/1.1,
345/156, 168, 173; 361/679.01, 679.06,
361/679.08, 679.09, 679.15, 679.55

See application file for complete search history.

(56) **References Cited**

U.S. PATENT DOCUMENTS

D332,944 S	2/1993	Kim	
D334,738 S	4/1993	Kim	
D335,870 S	5/1993	Yun	
D336,465 S	6/1993	Kim	
D338,457 S	8/1993	Kim	
D348,442 S	7/1994	Yoon	
D453,756 S *	2/2002	Kamegi	D14/318
D464,344 S *	10/2002	Jobs et al.	D14/318
D488,809 S *	4/2004	Kamegi	D14/318
D492,678 S	7/2004	Kim et al.	
D494,581 S *	8/2004	Araki	D14/318
D523,010 S	6/2006	Paek et al.	
D523,431 S	6/2006	Yoon	
D523,851 S	6/2006	Jeong et al.	
D523,852 S	6/2006	Kim et al.	
D524,306 S	7/2006	Yun et al.	
D524,307 S	7/2006	Kim et al.	
D526,998 S *	8/2006	Kondo	D14/327
D535,652 S	1/2007	Lee et al.	

D547,309 S	7/2007	Yoon
D547,310 S	7/2007	Yoon
D556,192 S	11/2007	Jeong et al.
D567,236 S	4/2008	Yoon
D578,523 S	10/2008	Yoon
D578,524 S	10/2008	Yoon
D578,525 S	10/2008	Yoon
D580,432 S	11/2008	Yun et al.
D586,343 S	2/2009	Lee et al.
D586,796 S	2/2009	Lee et al.
D586,797 S	2/2009	Kawase et al.
D587,701 S	3/2009	Yoon
D596,633 S	7/2009	Kawase et al.
D603,391 S	11/2009	Song et al.
D603,392 S	11/2009	Jeong et al.

(Continued)

OTHER PUBLICATIONS

U.S. Appl. No. 29/313,601, Applicant: Seung-Hyun Paek, filed Jan. 26, 2009 entitled Notebook Computer.

(Continued)

Primary Examiner — Freda S Nunn

(74) *Attorney, Agent, or Firm* — Flynn, Thiel, Boutell & Tanis, P.C.

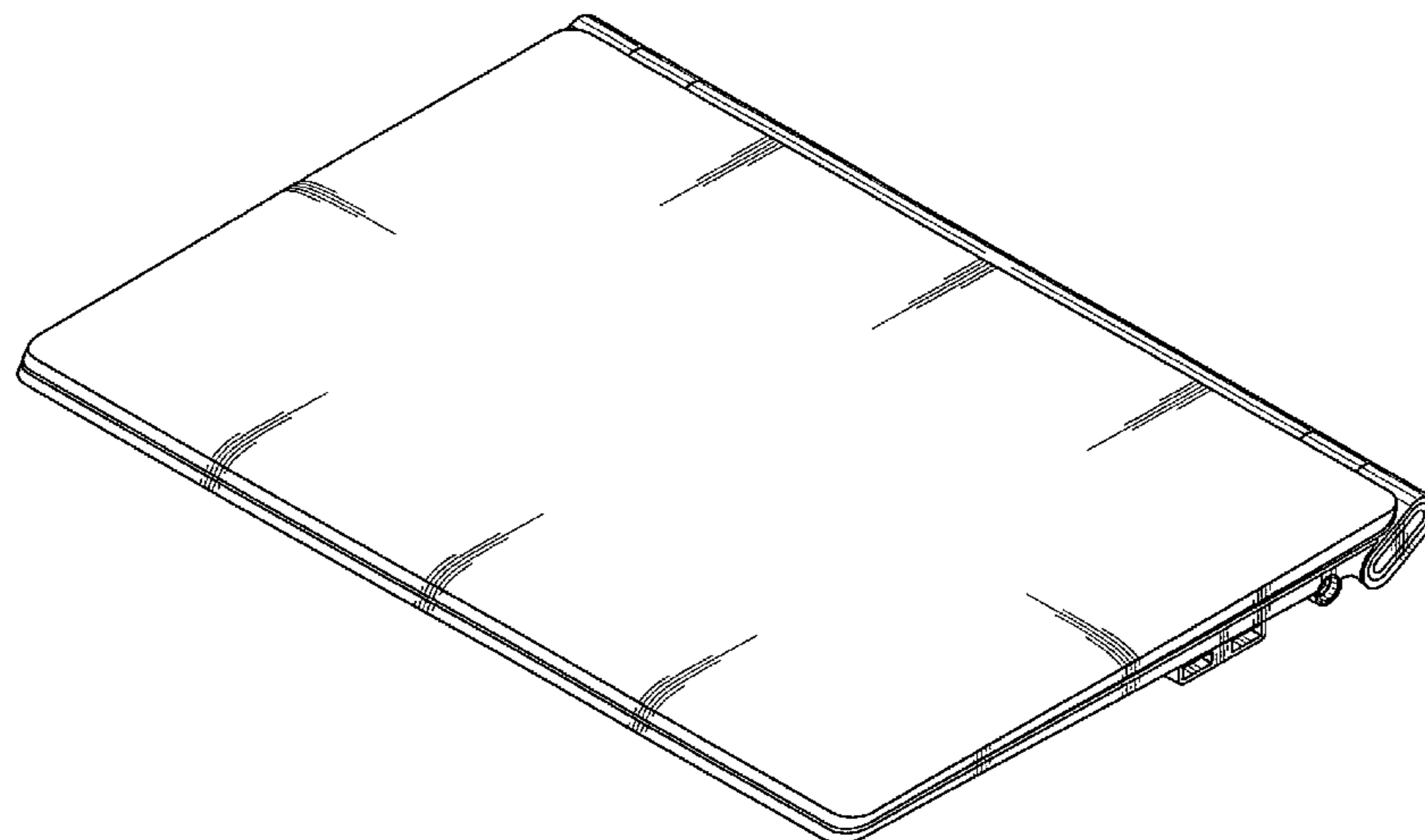
(57) **CLAIM**

The ornamental design for a net book, as shown and described.

DESCRIPTION

FIG. 1 is a top front perspective view of a net book showing our new design;
FIG. 2 is a front elevational view thereof;
FIG. 3 is a rear elevational view thereof;
FIG. 4 is a left side elevational view thereof;
FIG. 5 is a right side elevational view thereof;
FIG. 6 is a top plan view thereof; and,
FIG. 7 is a bottom plan view thereof.

1 Claim, 4 Drawing Sheets



U.S. PATENT DOCUMENTS

D603,393	S	11/2009	Paek	
D603,394	S	11/2009	Lee	
D603,395	S	11/2009	Hong et al.	
D603,861	S	11/2009	Hong et al.	
D606,067	S	12/2009	Yoon	
D606,068	S	12/2009	Hong et al.	
D606,069	S	12/2009	Heck et al.	
D606,070	S	12/2009	Heck et al.	
D606,534	S	12/2009	Hong et al.	
D608,777	S	1/2010	Yoon	
D611,468	S	3/2010	Yun et al.	
2003/0103324	A1*	6/2003	Gallivan	361/681
2005/0083644	A1*	4/2005	Song	361/683
2006/0038795	A1*	2/2006	Lee	345/173

OTHER PUBLICATIONS

U.S. Appl. No. 29/315,566, Applicant: Sang-Won Yoon, filed Jul. 6, 2009 entitled Notebook Computer.

U.S. Appl. No. 29/315,567, Applicant: Sang-Won Yoon, filed Jul. 6, 2009 entitled Notebook Computer.
U.S. Appl. No. 29/349,005, Applicant: Atsushi Kawase et al., filed Mar. 1, 2010 entitled Note Book.
U.S. Appl. No. 29/349,008, Applicant: Se-O Lee et al., filed Mar. 2, 2010 entitled Net Book.
U.S. Appl. No. 29/349,009, Applicant: Sang-Won Yoon et al., filed Mar. 2, 2010 entitled Net Book.
U.S. Appl. No. 29/349,010, Applicant: Seung-Hyun Paek et al., filed Mar. 2, 2010 entitled Net Book.
U.S. Appl. No. 29/349,011, Applicant: Se-O Lee et al., filed Mar. 2, 2010, entitled Net Book.
U.S. Appl. No. 29/349,023, Applicant: Sang-Won Yoon, filed Mar. 2, 2010 entitled Net Book.
U.S. Appl. No. 29/349,024, Applicant: Seung-Hyun Paek, filed Mar. 2, 2010 entitled Net Book.
U.S. Appl. No. 29/349,025, Applicant: Sang-Won Yoon, filed Mar. 2, 2010 entitled Net Book.

* cited by examiner

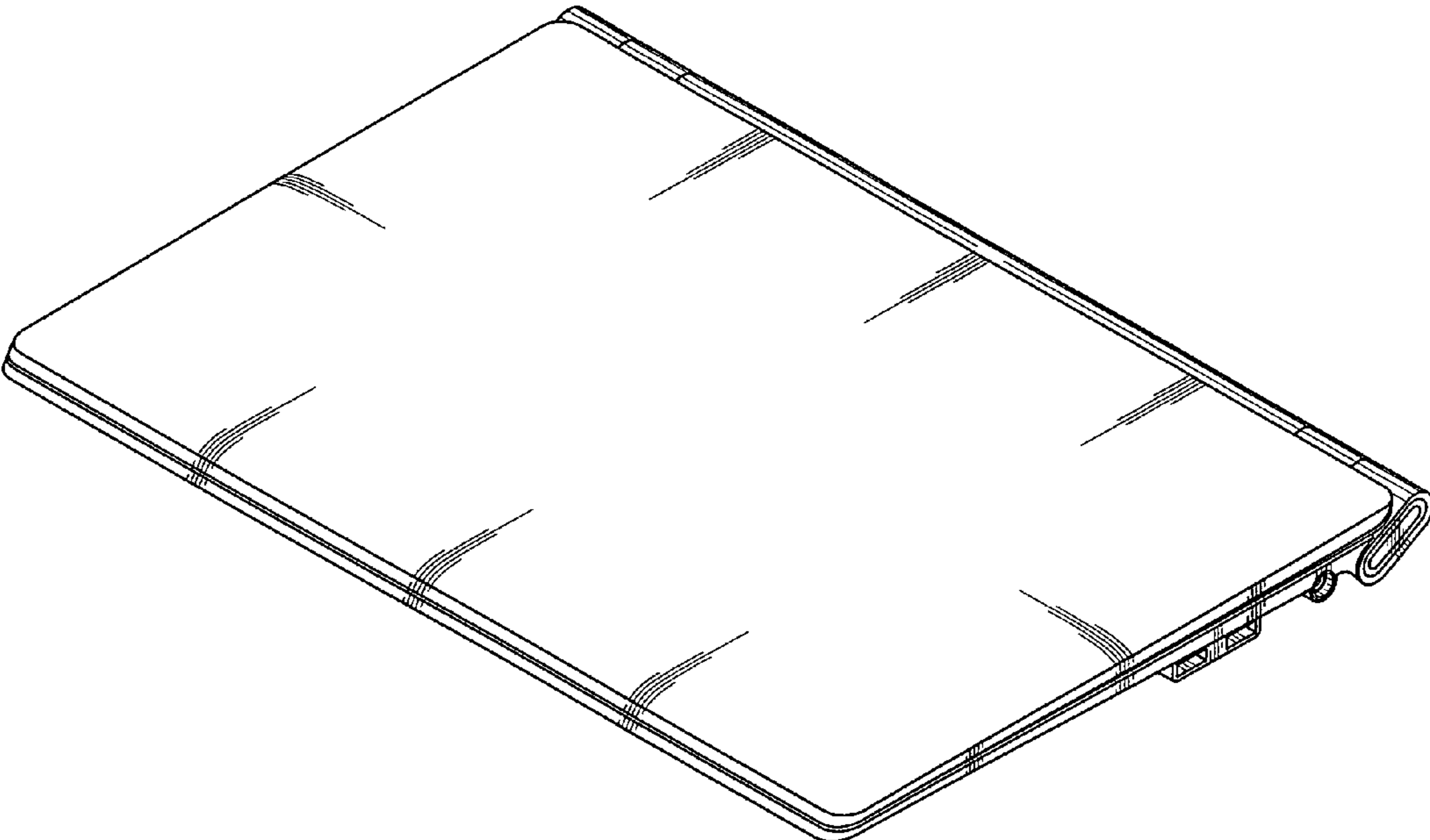


FIG. 1



FIG. 2

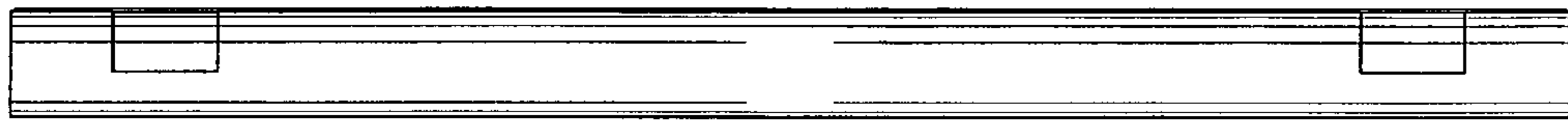


FIG. 3

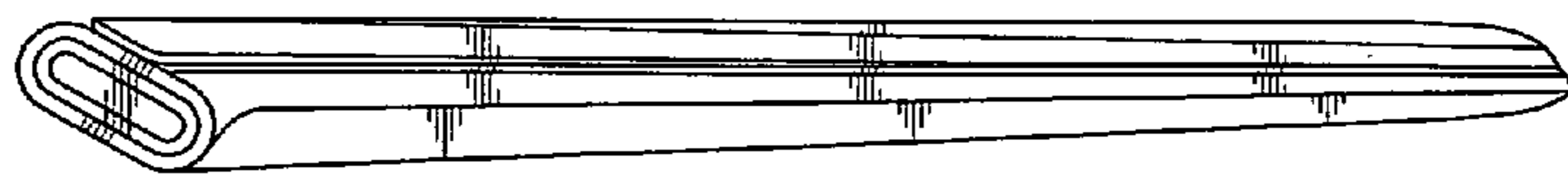


FIG. 4

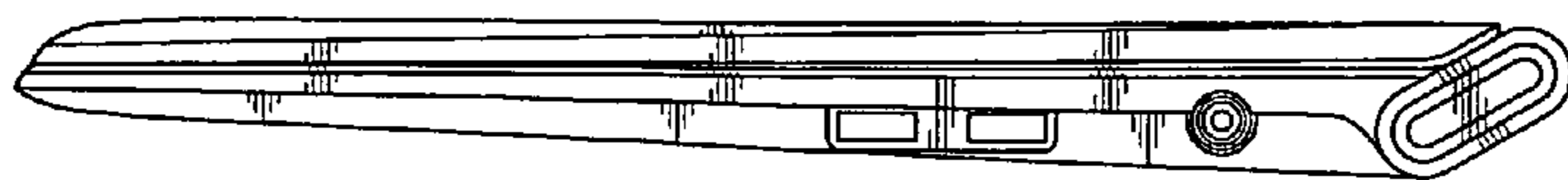


FIG. 5

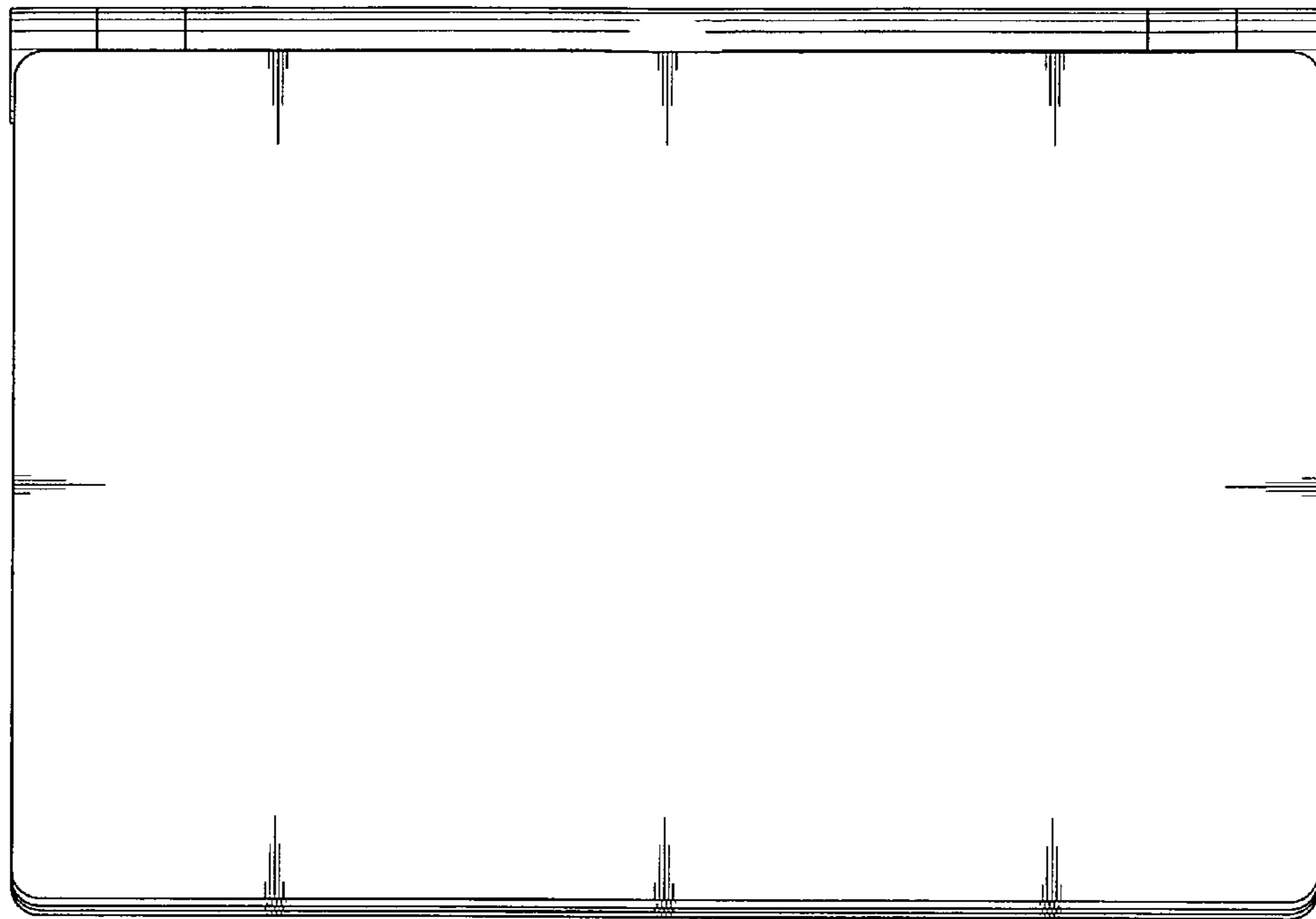


FIG. 6

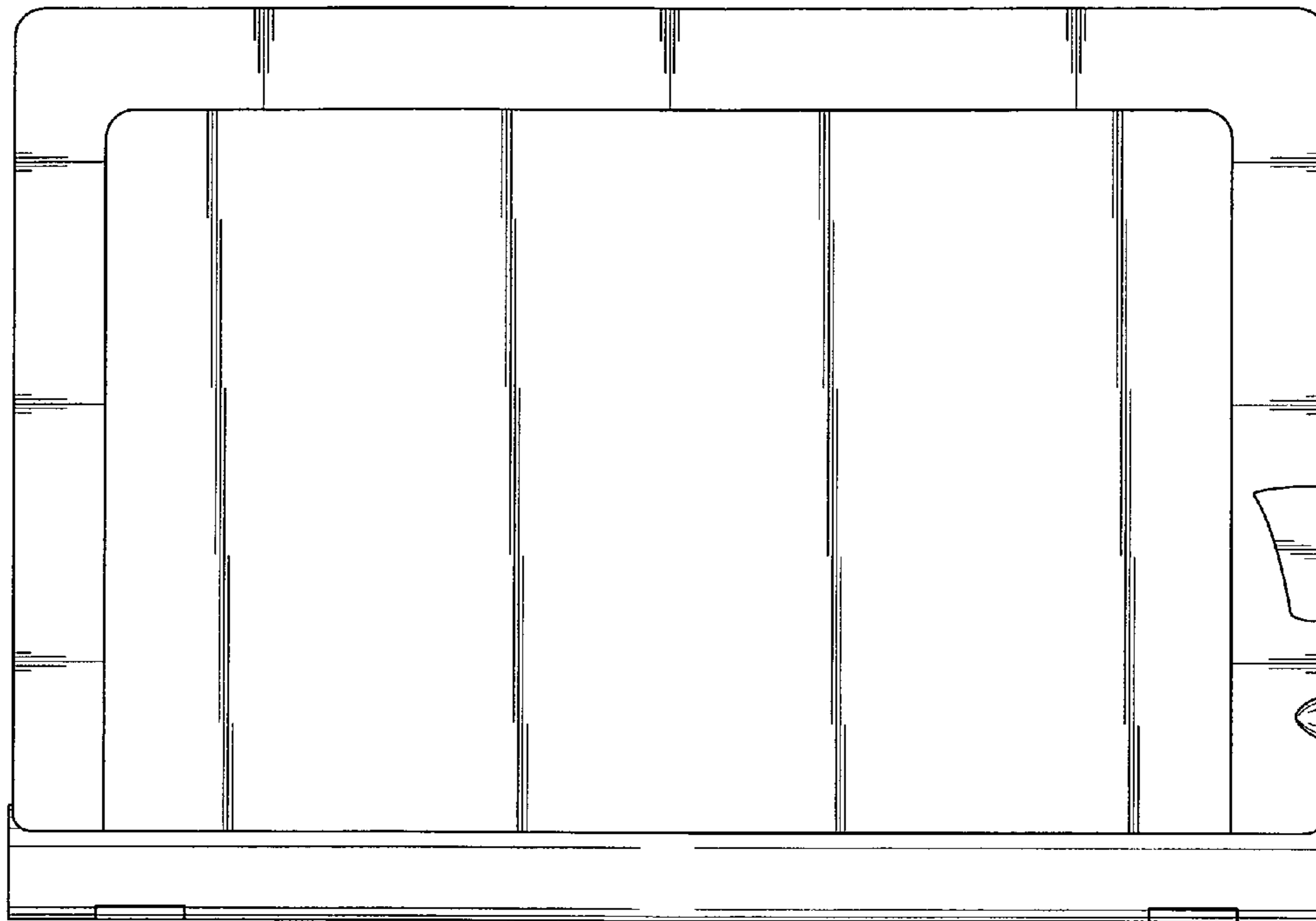


FIG. 7