



US00D649541S

(12) **United States Design Patent**
Morenstein et al.

(10) **Patent No.:** **US D649,541 S**

(45) **Date of Patent:** **** Nov. 29, 2011**

(54) **COMPUTER CENTRAL PROCESSOR UNIT**

(75) Inventors: **Joshua Morenstein**, San Francisco, CA (US); **Pichaya Puttorngul**, New York, NY (US); **Naoya Edahiro**, San Francisco, CA (US)

(73) Assignee: **litl, LLC**, Boston, MA (US)

(**) Term: **14 Years**

(21) Appl. No.: **29/361,519**

(22) Filed: **May 12, 2010**

(51) **LOC (9) Cl.** **14-02**

(52) **U.S. Cl.** **D14/314**

(58) **Field of Classification Search** D14/349-356, D14/300, 301, 308, 362, 364; D13/162, D13/184, 199; 312/223.1-223.2; 360/99.01-99.12; 369/34.01, 36.01; 361/679.01, 679.6, 679.22
See application file for complete search history.

(56) **References Cited**

U.S. PATENT DOCUMENTS

D460,965 S * 7/2002 O'Brien D14/349
6,480,398 B1 * 11/2002 Fiora et al. 361/816
6,549,397 B1 * 4/2003 Diaz et al. 361/679.6
D497,167 S * 10/2004 Ozolins et al. D14/375

D511,159 S * 11/2005 Su et al. D14/300
7,118,483 B2 * 10/2006 Beadell et al. 463/46
D568,881 S * 5/2008 Hsiau D14/370
D602,934 S * 10/2009 Cao et al. D14/356
D609,704 S * 2/2010 Sin et al. D14/363

* cited by examiner

Primary Examiner — Freda Nunn

(74) *Attorney, Agent, or Firm* — Lando & Anastasi, LLP

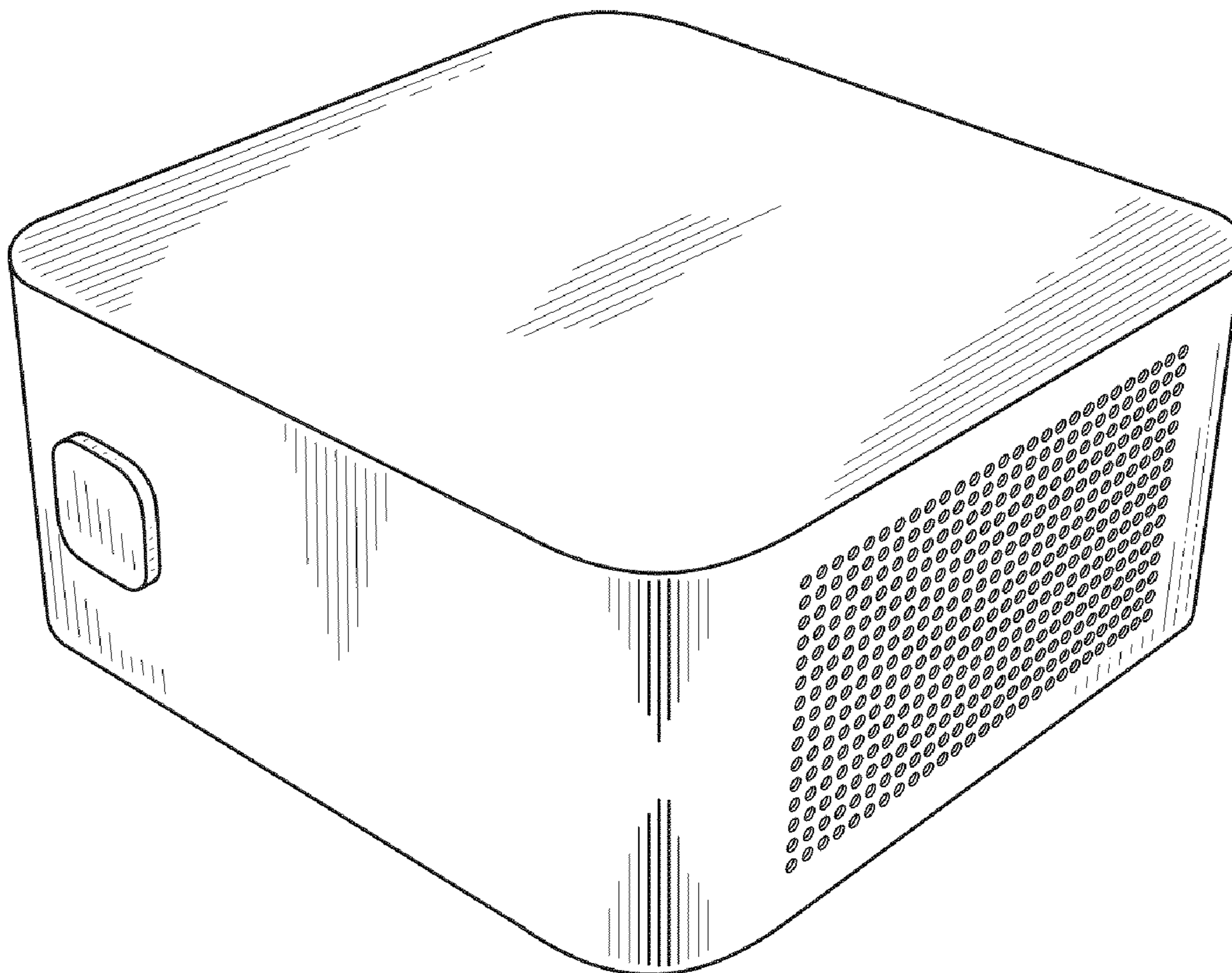
(57) **CLAIM**

The ornamental design for a computer central processor unit, as shown and described.

DESCRIPTION

FIG. 1 is a front elevational view of the computer central processor unit
FIG. 2 is a top plan view thereof.
FIG. 3 is a bottom plan view thereof.
FIG. 4 is a left-side elevational view thereof.
FIG. 5 is a right-side elevational view thereof.
FIG. 6 is a rear plan view; and,
FIG. 7 is a perspective view thereof as seen from the front, right corner.
Broken lines in the drawings indicate portions of the device and form no part of the claimed design.

1 Claim, 2 Drawing Sheets



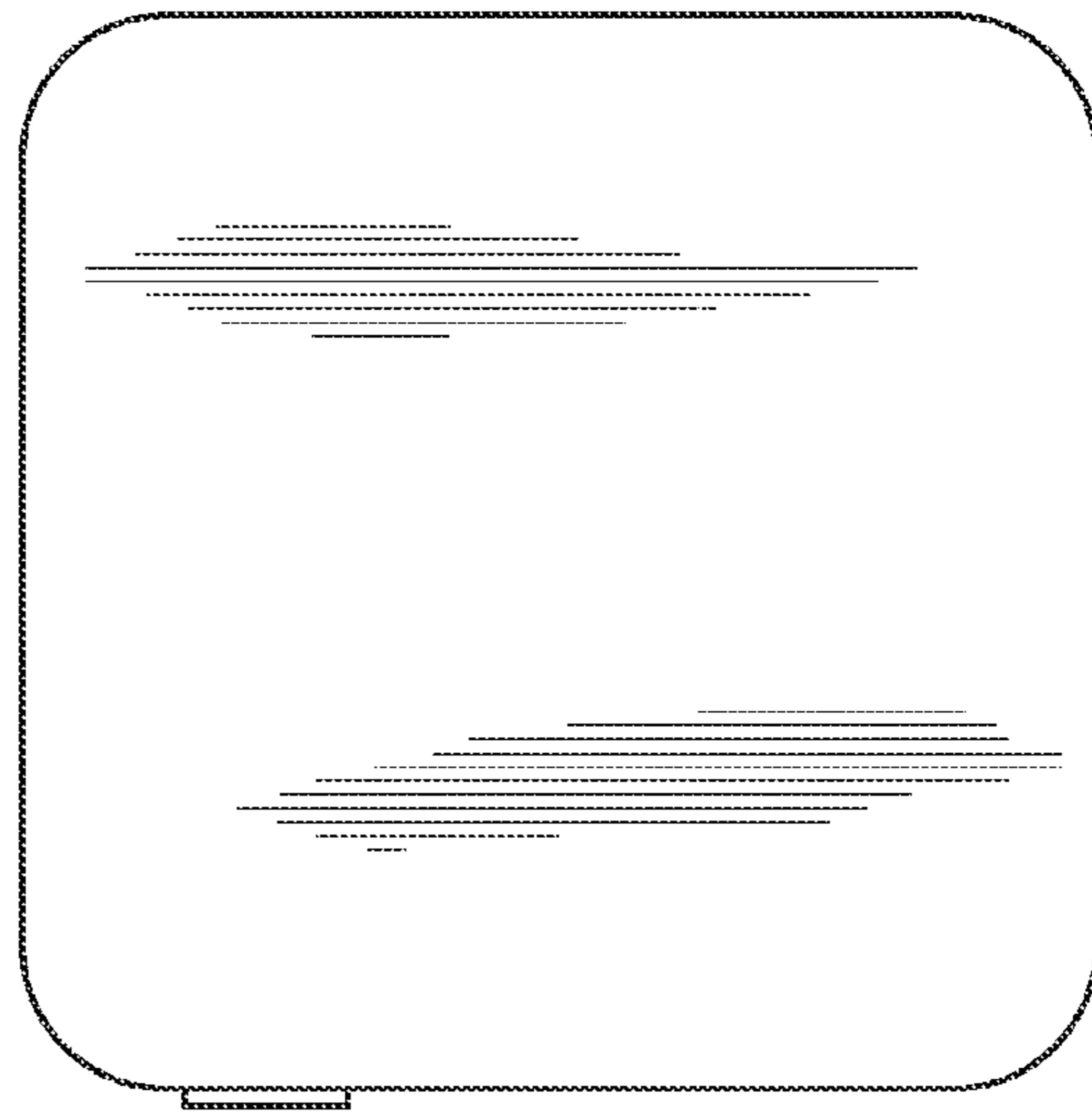


FIG. 2

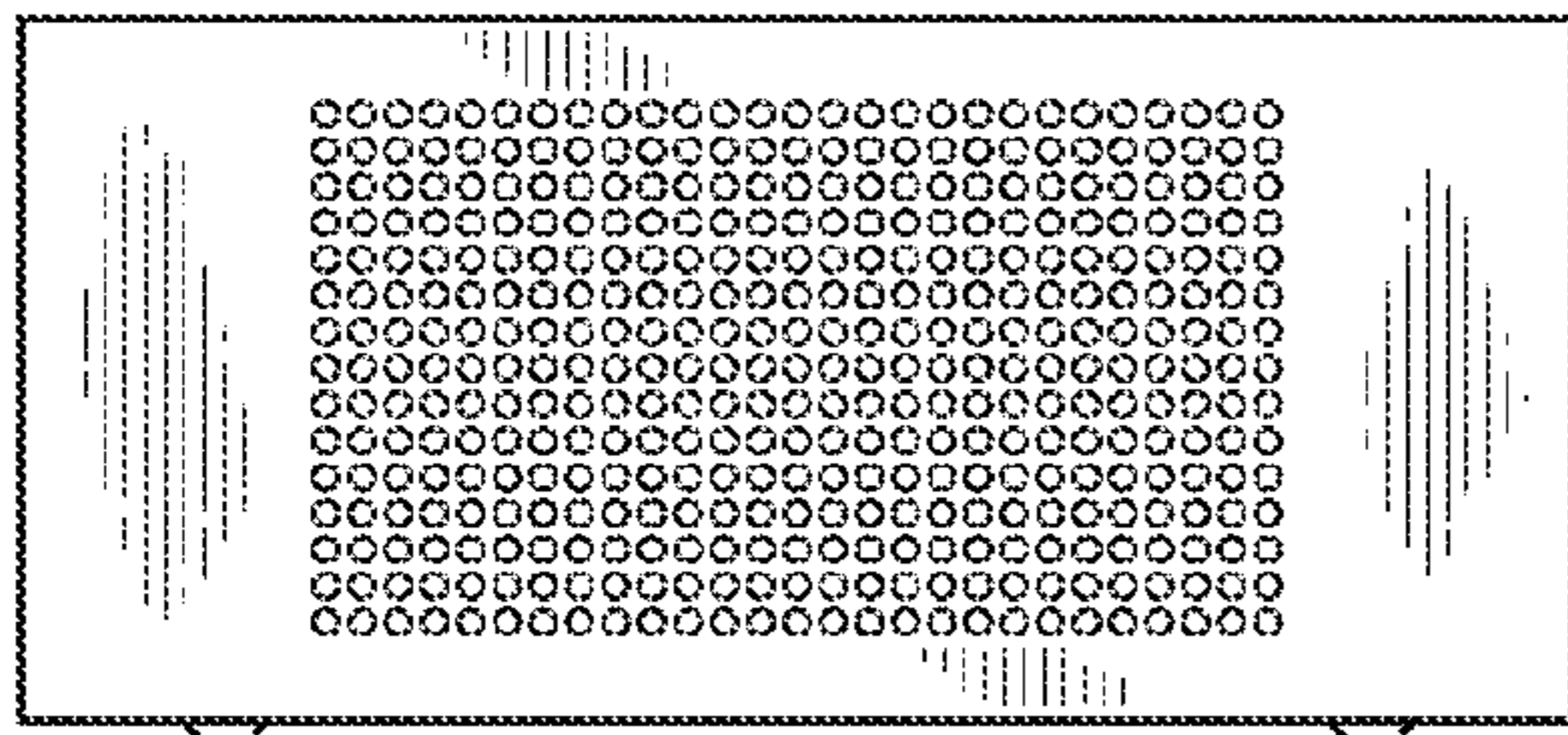


FIG. 4

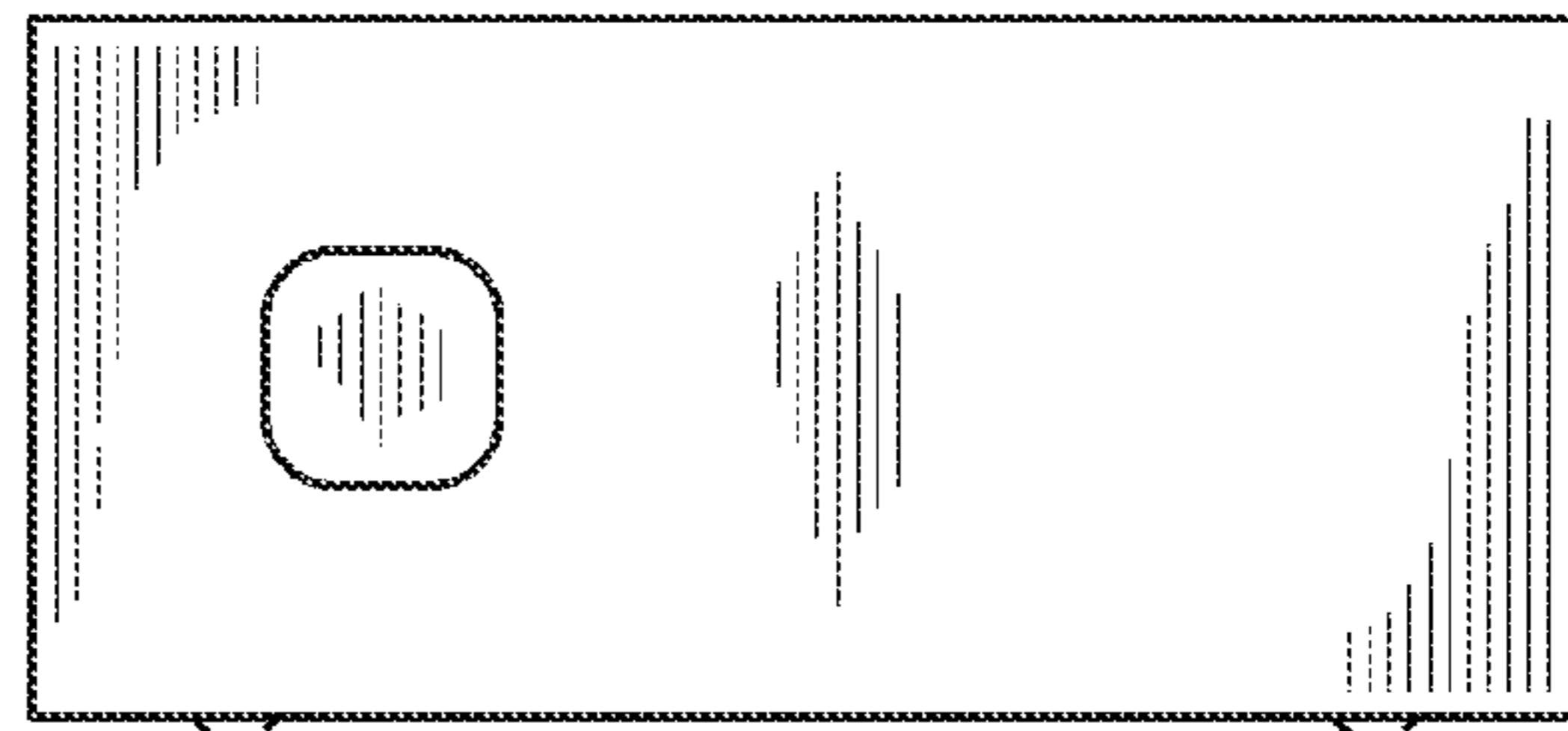


FIG. 1

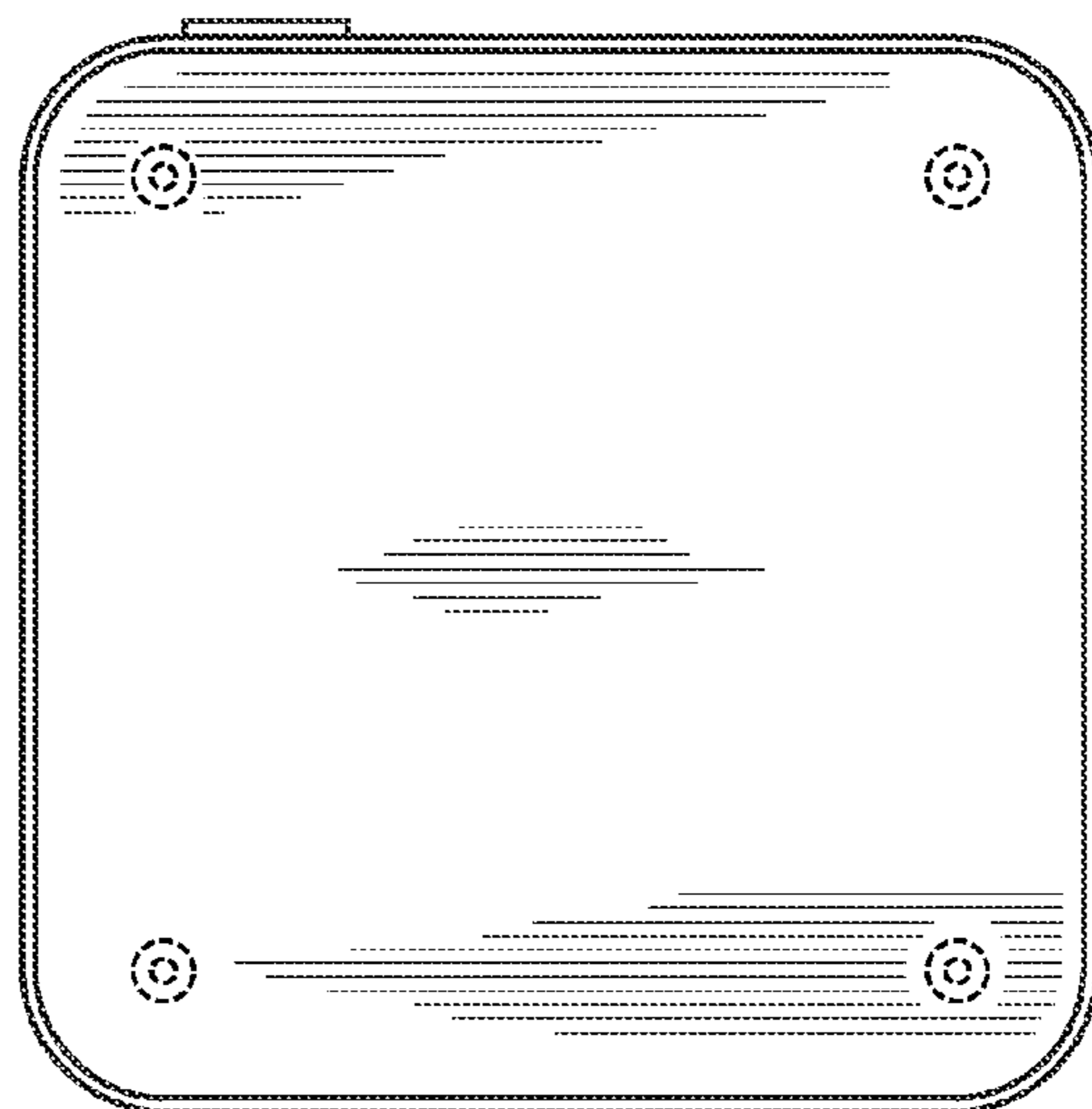


FIG. 3

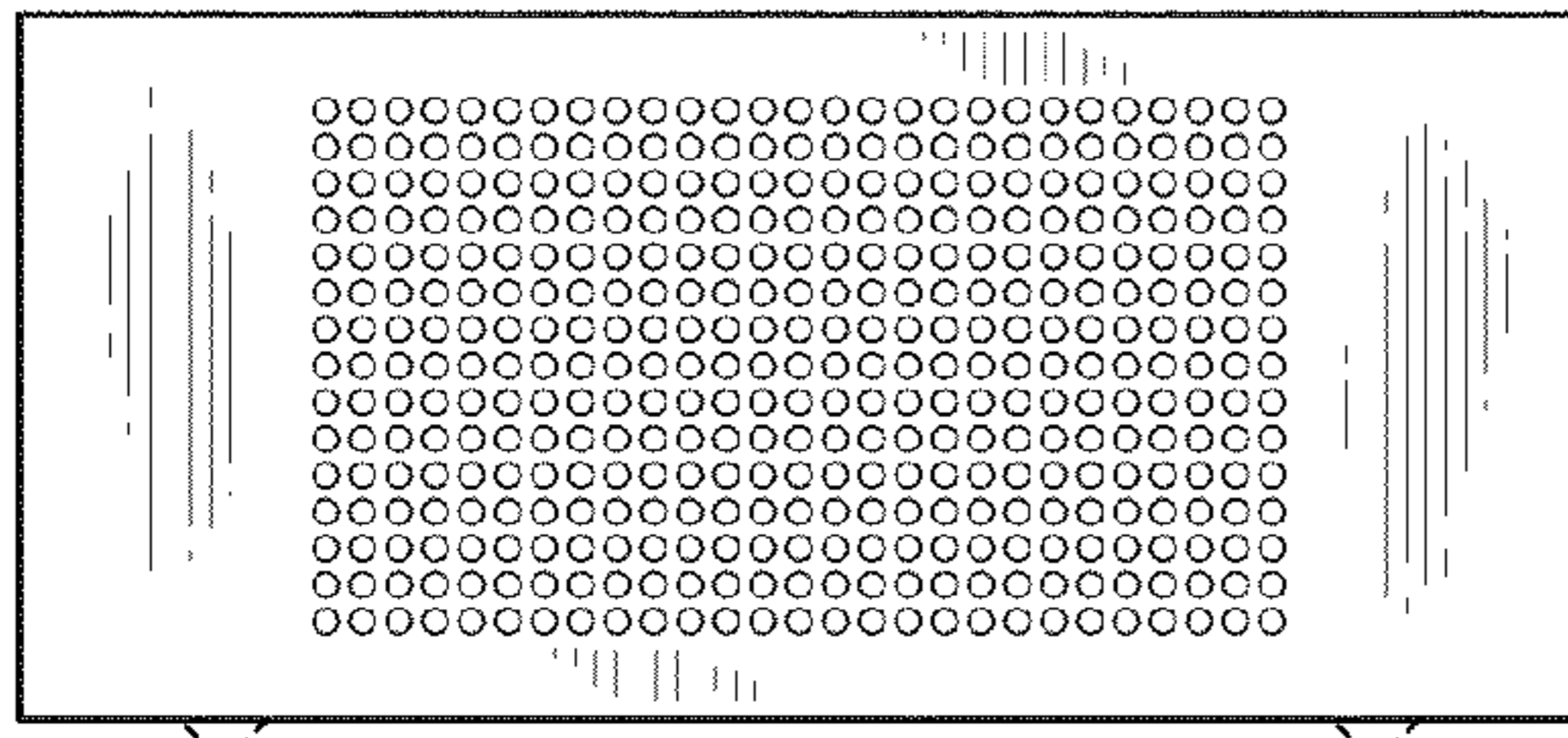


FIG. 5

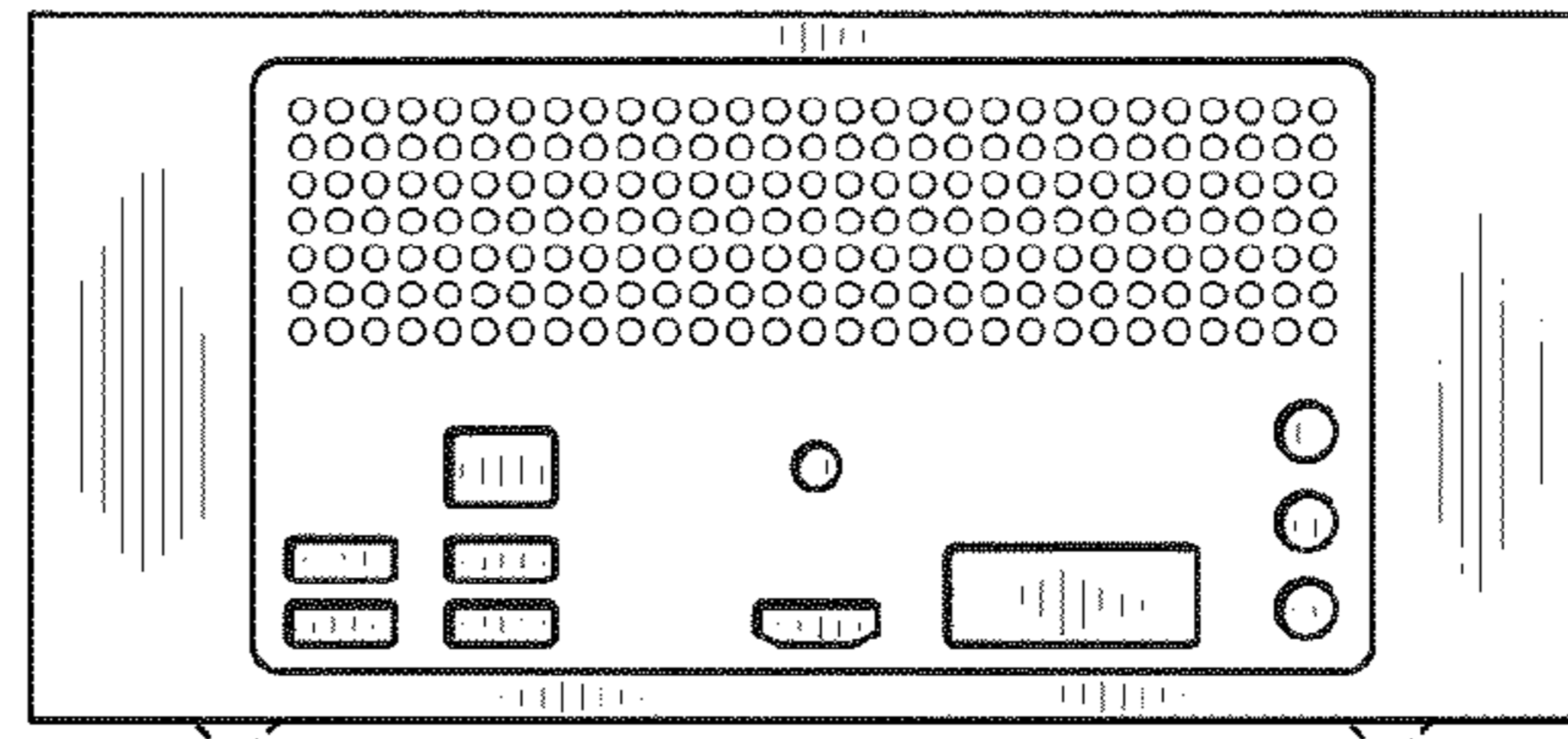


FIG. 6

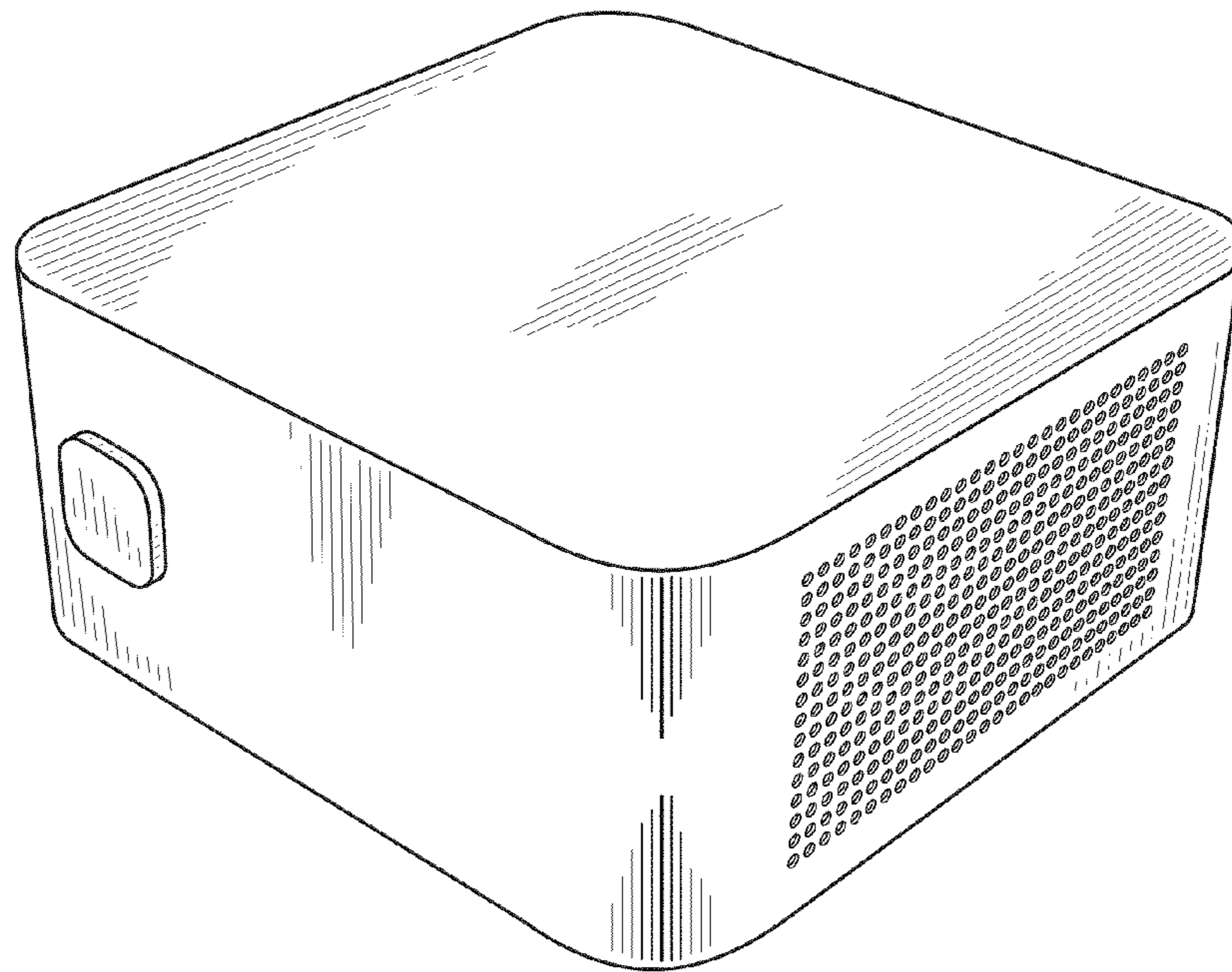


FIG. 7