



US00D649539S

(12) **United States Design Patent**
Hong

(10) **Patent No.:** **US D649,539 S**

(45) **Date of Patent:** **** Nov. 29, 2011**

(54) **PORTABLE ELECTRONIC DEVICE CASE**

(75) Inventor: **John J. Hong**, Chicago, IL (US)

(73) Assignee: **Uncommon LLC**, Chicago, IL (US)

(**) Term: **14 Years**

(21) Appl. No.: **29/386,173**

(22) Filed: **Feb. 25, 2011**

(51) **LOC (9) Cl.** **14-03**

(52) **U.S. Cl.** **D14/250**

(58) **Field of Classification Search** D14/250–253,
D14/440, 203.7, 217, 496, 203.3; D3/201,
D3/218, 269, 301, 273, 303; D13/103; 220/4.02;
224/191, 240, 241, 245, 682–683; 248/309.1;
361/679.56; 379/426, 433.11, 455; 455/575.1,
455/575.8; 190/100; 206/305, 320

See application file for complete search history.

(56) **References Cited**

U.S. PATENT DOCUMENTS

D499,546 S *	12/2004	Smithers	D3/218
D553,352 S *	10/2007	Allen	D3/218
D565,290 S *	4/2008	Brandenburg et al.	D3/218
D574,819 S *	8/2008	Andre et al.	D3/269
D582,405 S *	12/2008	Andre et al.	D3/299
D592,200 S *	5/2009	Liu	D14/248
D593,750 S *	6/2009	Song	D3/269
D597,089 S *	7/2009	Khan et al.	D14/250
7,594,576 B2 *	9/2009	Chen et al.	206/320
D609,226 S *	2/2010	Hofer et al.	D14/248
D609,463 S *	2/2010	Bullen	D3/218

D609,464 S *	2/2010	Bullen	D3/218
D610,135 S *	2/2010	Hofer et al.	D14/248
D614,179 S *	4/2010	Behar et al.	D14/248
D616,360 S *	5/2010	Huang	D13/103
D616,361 S *	5/2010	Huang	D13/103
D619,361 S *	7/2010	Andre et al.	D3/269
D620,931 S *	8/2010	Opman	D14/250
D623,180 S *	9/2010	Diebel	D14/250
D625,303 S *	10/2010	Kim	D14/250
D635,555 S *	4/2011	Giles	D14/217
2010/0224519 A1 *	9/2010	Kao	206/320

* cited by examiner

Primary Examiner — Rob M Spear

Assistant Examiner — Carla Wright

(74) *Attorney, Agent, or Firm* — Bishop & Diehl, Ltd.

(57) **CLAIM**

The ornamental design for a portable electronic device case, as shown and described.

DESCRIPTION

FIG. 1 is a perspective view of a portable electronic device case showing my new design;

FIG. 2 is a front elevation view thereof;

FIG. 3 is a rear elevation view thereof;

FIG. 4 is a left side elevation view thereof;

FIG. 5 is a right side elevation view thereof;

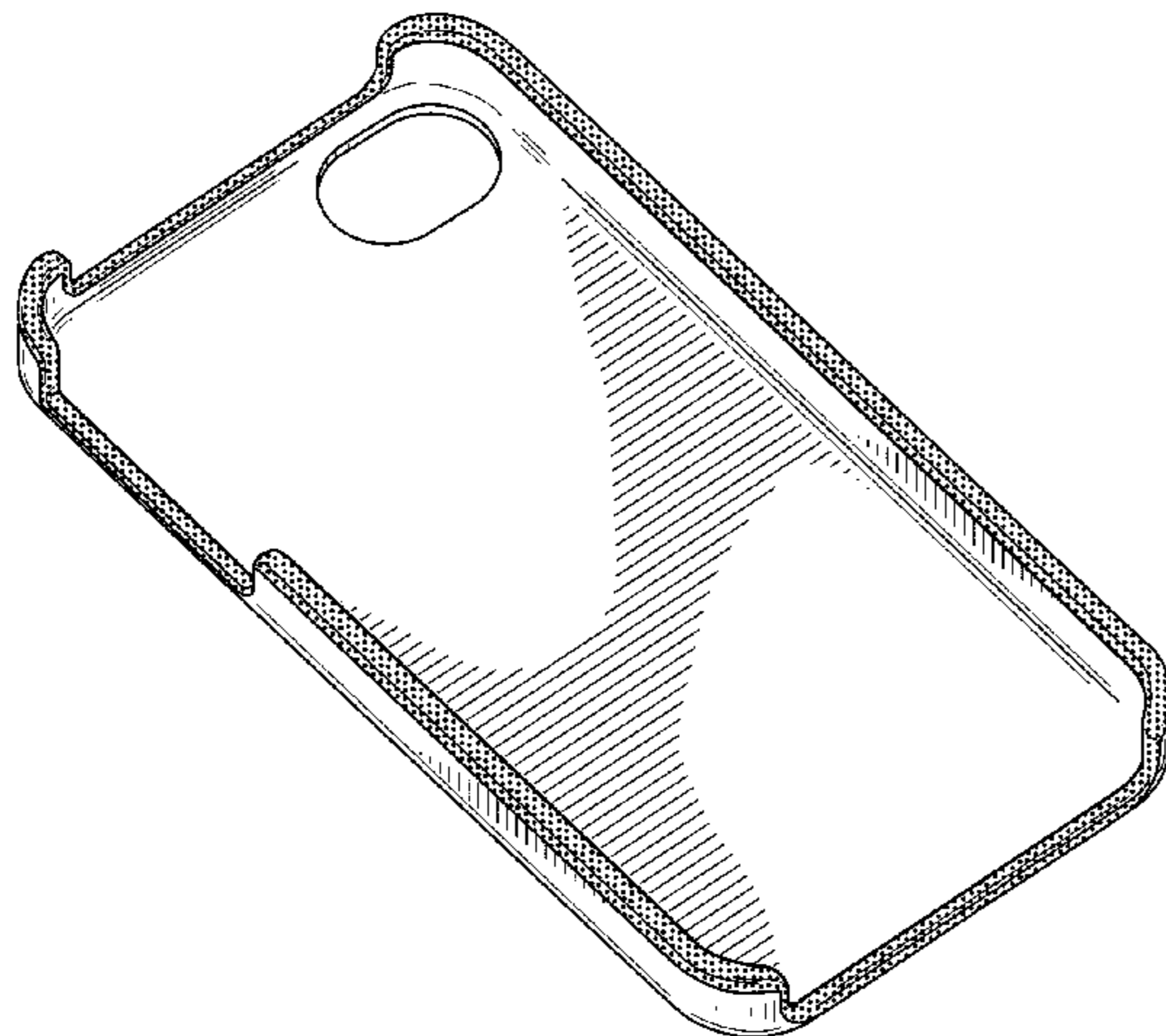
FIG. 6 is a top plan view thereof; and,

FIG. 7 is a bottom plan view thereof.

In the drawings, the broken lines depict unclaimed environment.

The stippled surface shading around the edges of the case depicts color contrast.

1 Claim, 5 Drawing Sheets



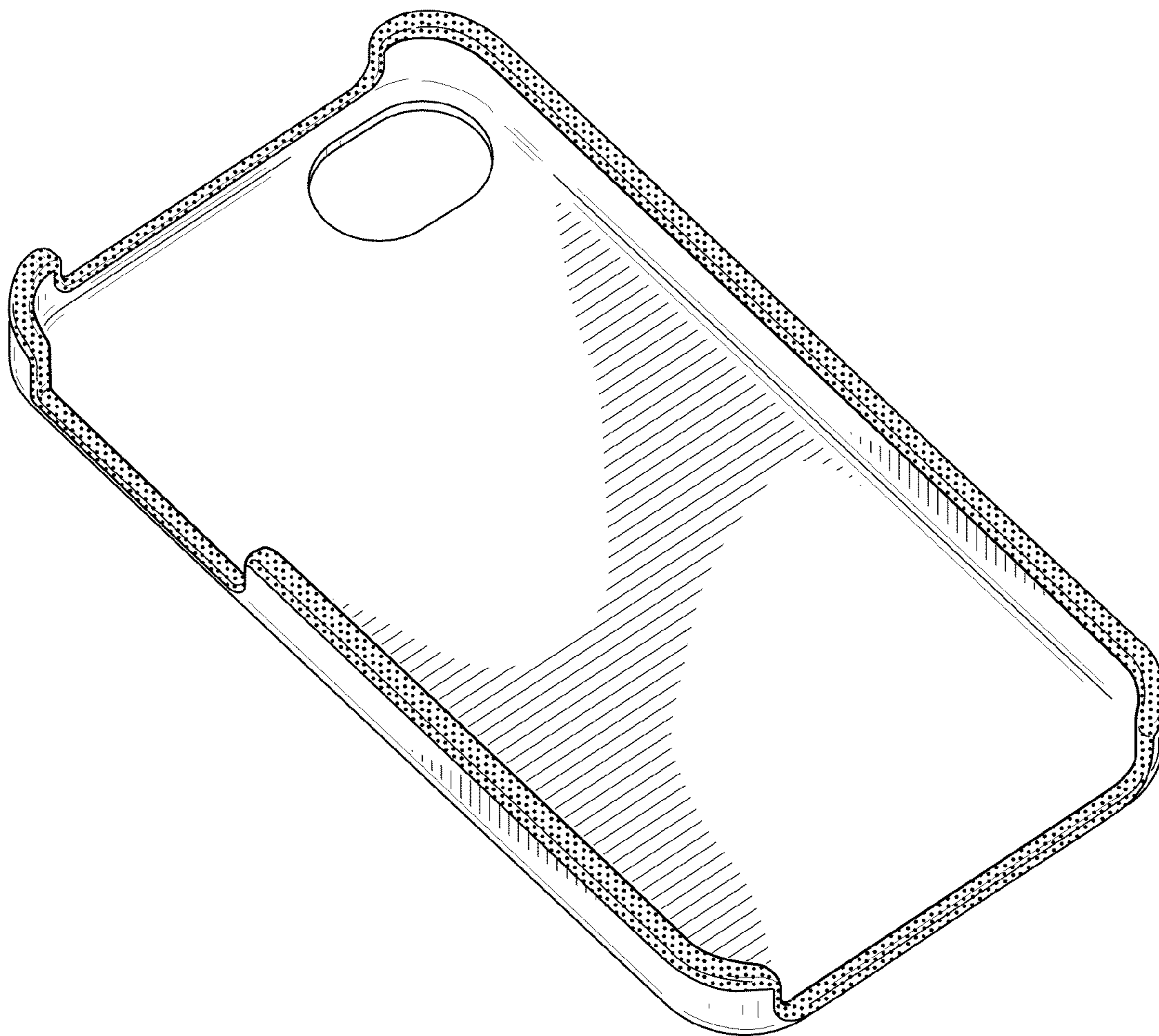


FIG. 1

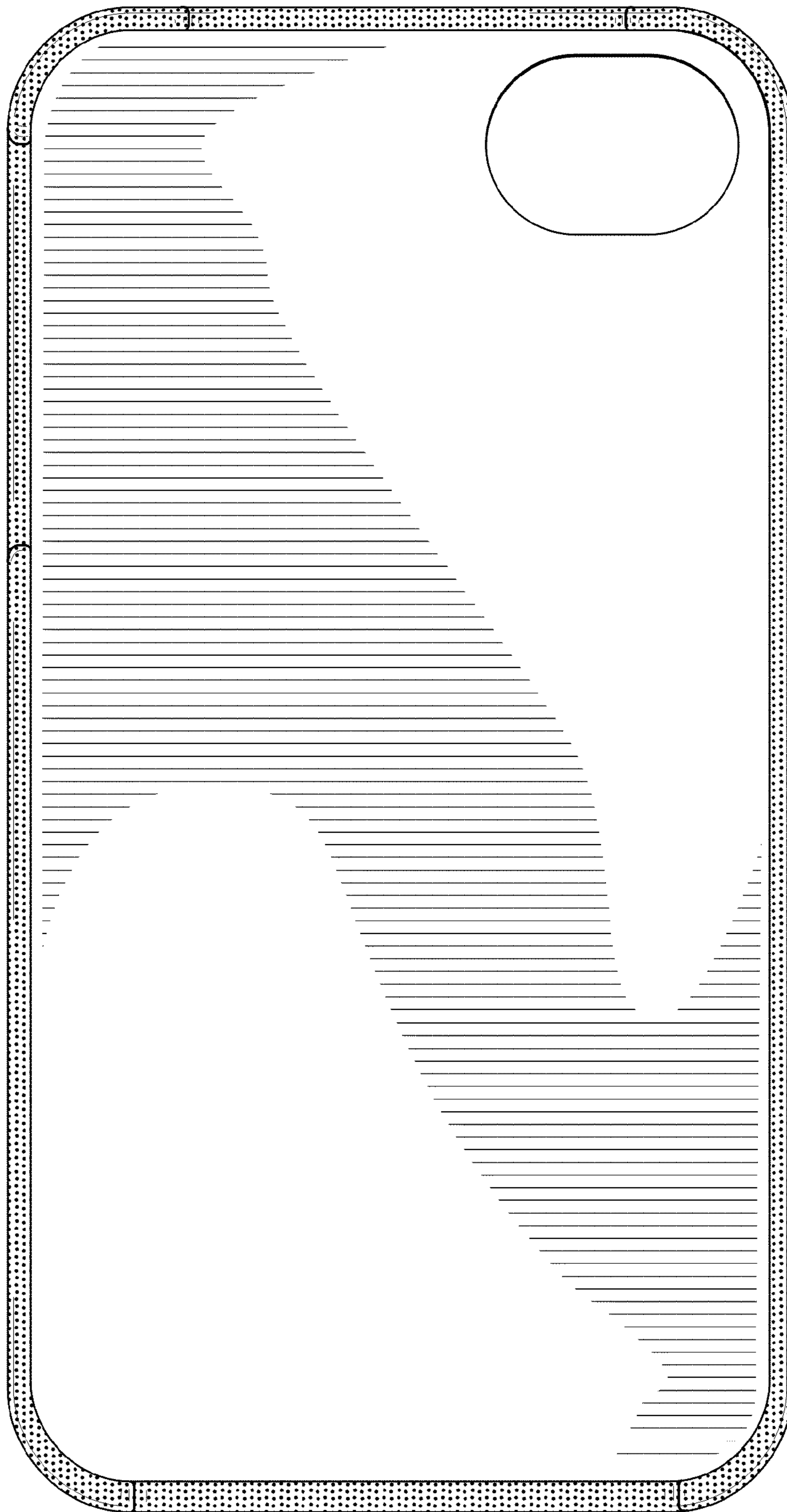


FIG. 2

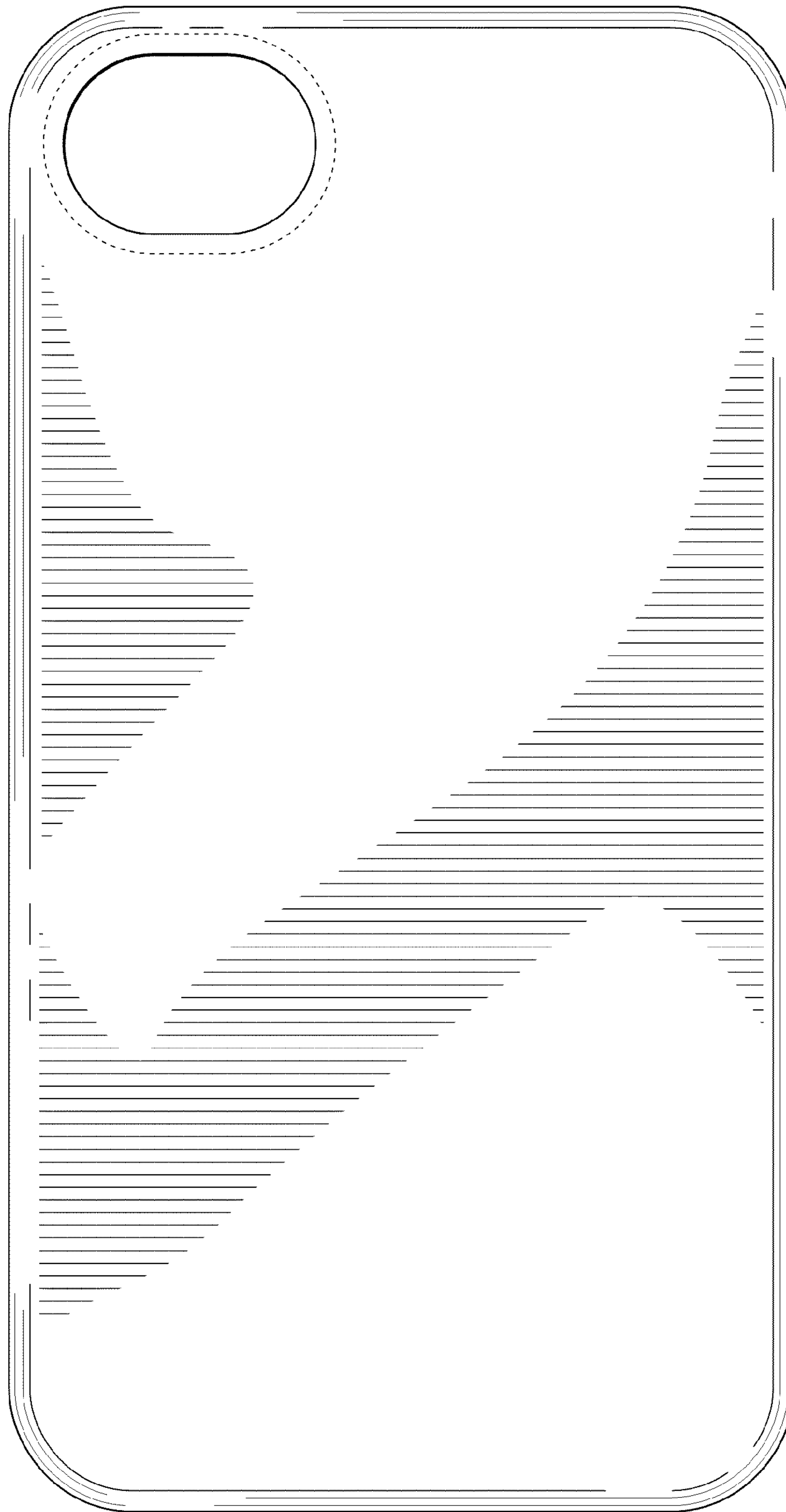


FIG. 3

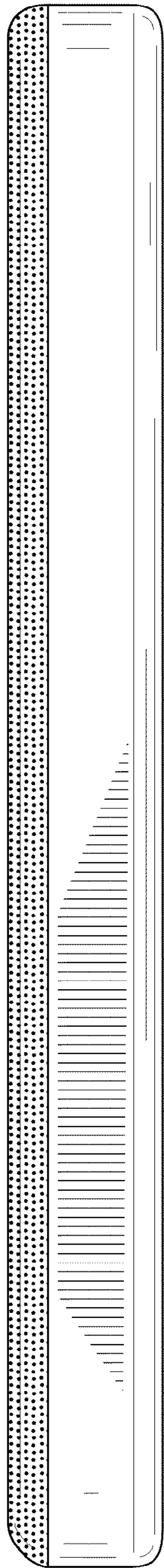


FIG. 4

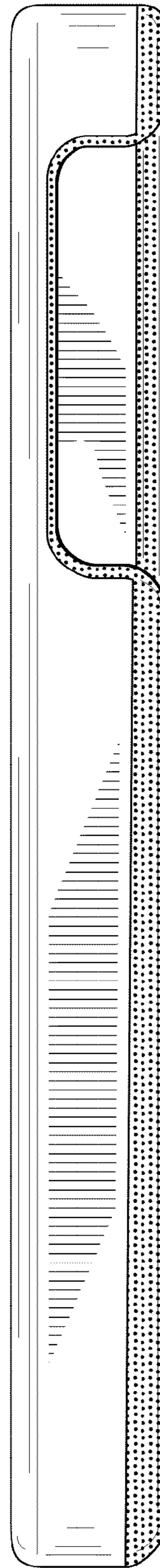


FIG. 5

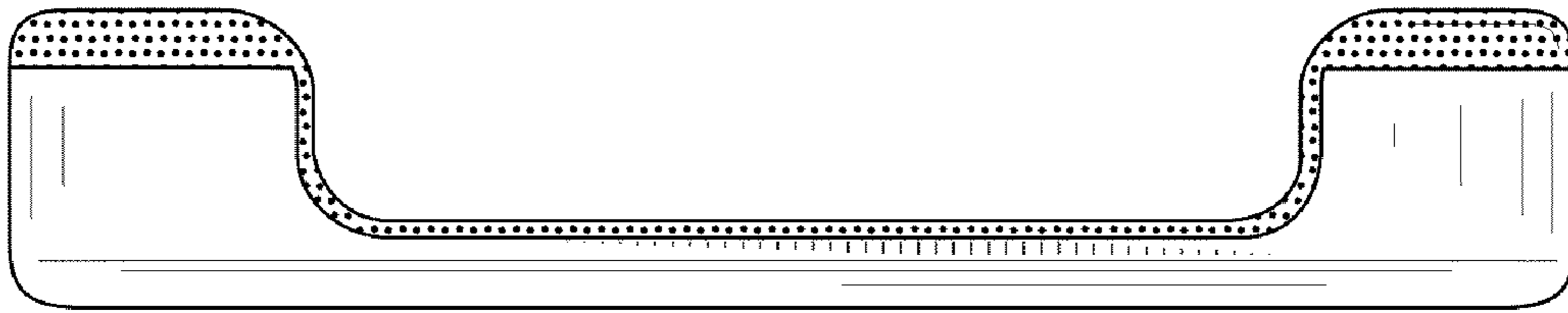


FIG. 6

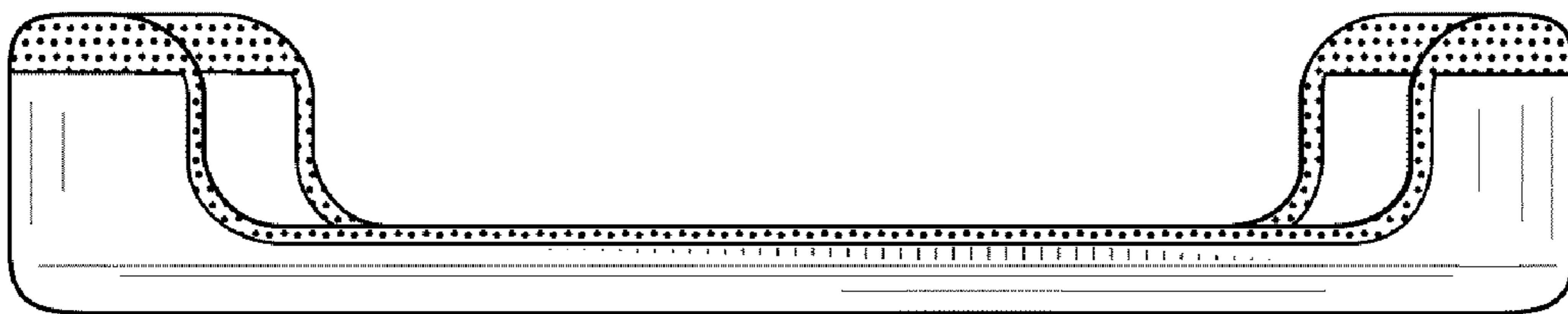


FIG. 7