



US00D649535S

(12) **United States Design Patent**  
**Lau et al.**

(10) **Patent No.:** **US D649,535 S**

(45) **Date of Patent:** **\*\* Nov. 29, 2011**

(54) **WISHBONE (HEAVY LOAD) MOUNTING  
ARM**

(75) Inventors: **Alex Lau**, London (GB); **Andrew Wills**,  
London (GB); **Seiyo Ezure**, Tokyo (JP)

(73) Assignee: **Colebrook Bosson Saunders Products  
Ltd.** (GB)

(\*\*) Term: **14 Years**

(21) Appl. No.: **29/343,262**

(22) Filed: **Sep. 10, 2009**

(51) **LOC (9) Cl.** ..... **14-03**

(52) **U.S. Cl.** ..... **D14/239**

(58) **Field of Classification Search** ..... D14/125-134,  
D14/239, 371, 136, 374-377; D8/363, 373,  
D8/349, 394; 248/465, 917-924, 123.11;  
348/825, 827, 836, 837, 838, 180, 184, 325,  
348/739; 600/443; D6/477-479, 407, 474,  
D6/460, 461, 468; 312/7.2; 341/12; 345/87,  
345/104, 133, 156, 168, 169, 173; 720/605,  
720/669, 600, 655; 369/99, 197; 455/344-347;  
349/1, 2, 11, 62; 108/59, 91, 92, 96; 211/40,  
211/41.12, 42, 49.1, 50, 85.2, 90.04, 187,  
211/190, 119.003, 134.153, 87.01, 71.01

See application file for complete search history.

(56) **References Cited**

**U.S. PATENT DOCUMENTS**

D494,183 S \* 8/2004 Wills et al. .... D14/452  
D495,240 S \* 8/2004 Mnich et al. .... D8/355  
D557,125 S \* 12/2007 Worrall et al. .... D8/380  
D568,325 S \* 5/2008 Muday et al. .... D14/452

D611,802 S \* 3/2010 Li ..... D8/363  
2008/0197256 A1 \* 8/2008 Hirschhorn ..... 248/276.1  
2011/0178766 A1 \* 7/2011 York et al. .... 702/154

\* cited by examiner

*Primary Examiner* — Raphael Barkai

*Assistant Examiner* — Randall Gholson

(74) *Attorney, Agent, or Firm* — Carter, DeLuca, Farrell &  
Schmidt, LLP

(57) **CLAIM**

The ornamental designs for a wishbone (heavy load) mount-  
ing arm, as shown and described.

**DESCRIPTION**

FIG. 1 is a front perspective view of a wishbone (heavy load)  
mounting arm in accordance with an embodiment of the  
present design;

FIG. 2 is a rear perspective view of the wishbone (heavy load)  
mounting arm of FIG. 1;

FIG. 3 is a front elevational view of the wishbone (heavy load)  
mounting arm of FIG. 1;

FIG. 4 is a bottom view of the wishbone (heavy load) mount-  
ing arm of FIG. 1;

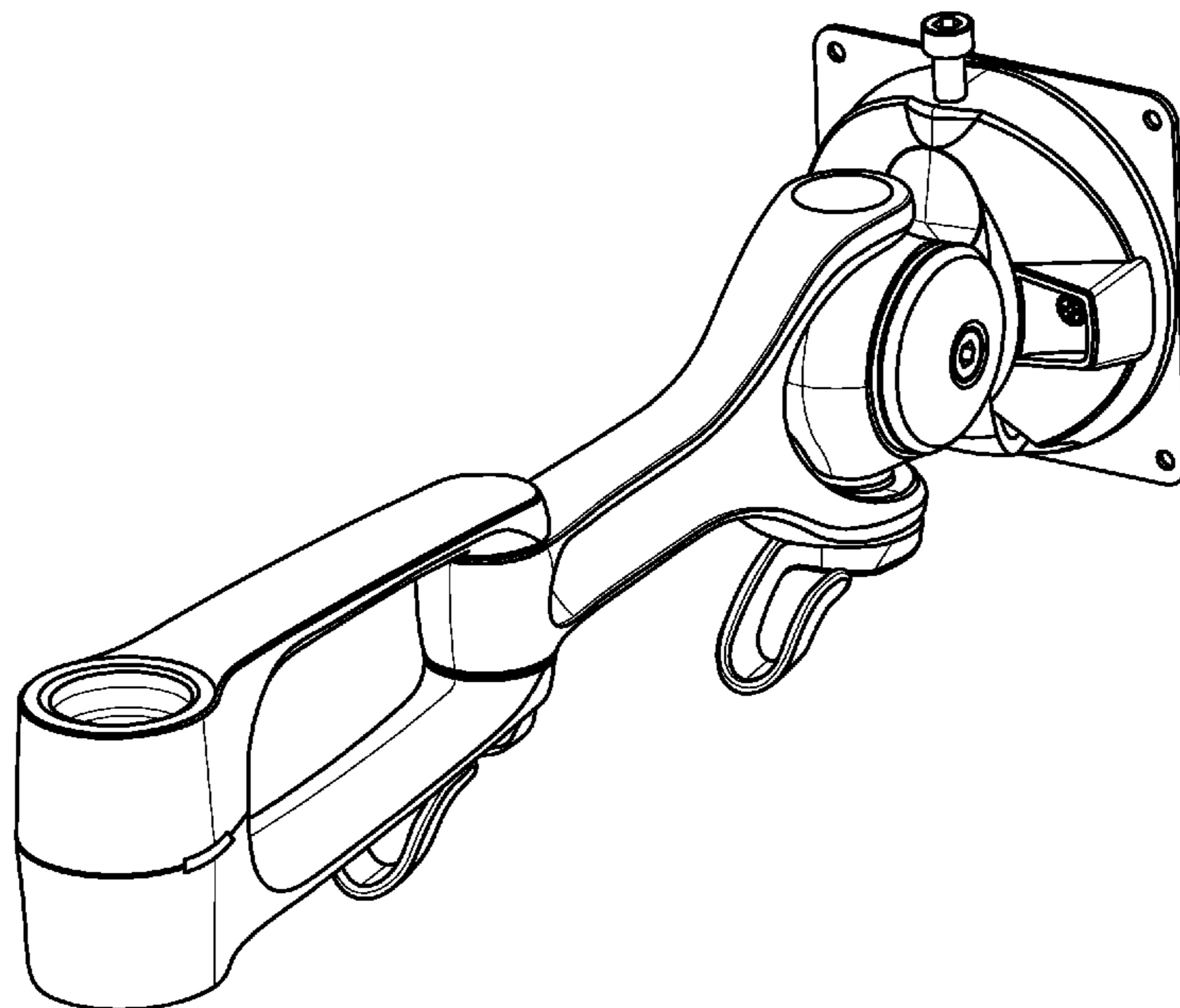
FIG. 5 is a rear elevational view of the wishbone (heavy load)  
mounting arm of FIG. 1;

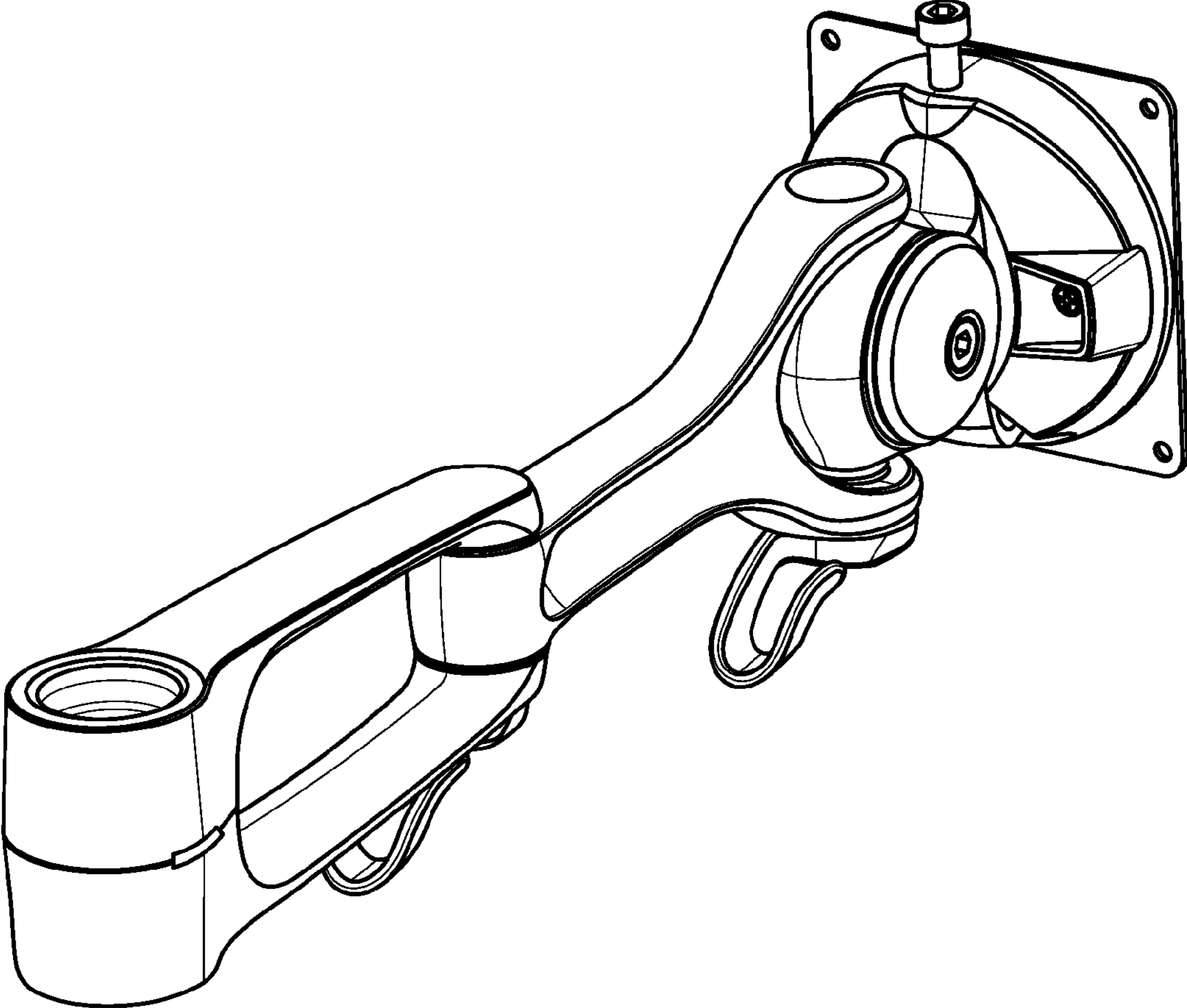
FIG. 6 is a side elevational view of the wishbone (heavy load)  
mounting arm of FIG. 1; and,

FIG. 7 is a top view of the wishbone (heavy load) mounting  
arm of FIG. 1.

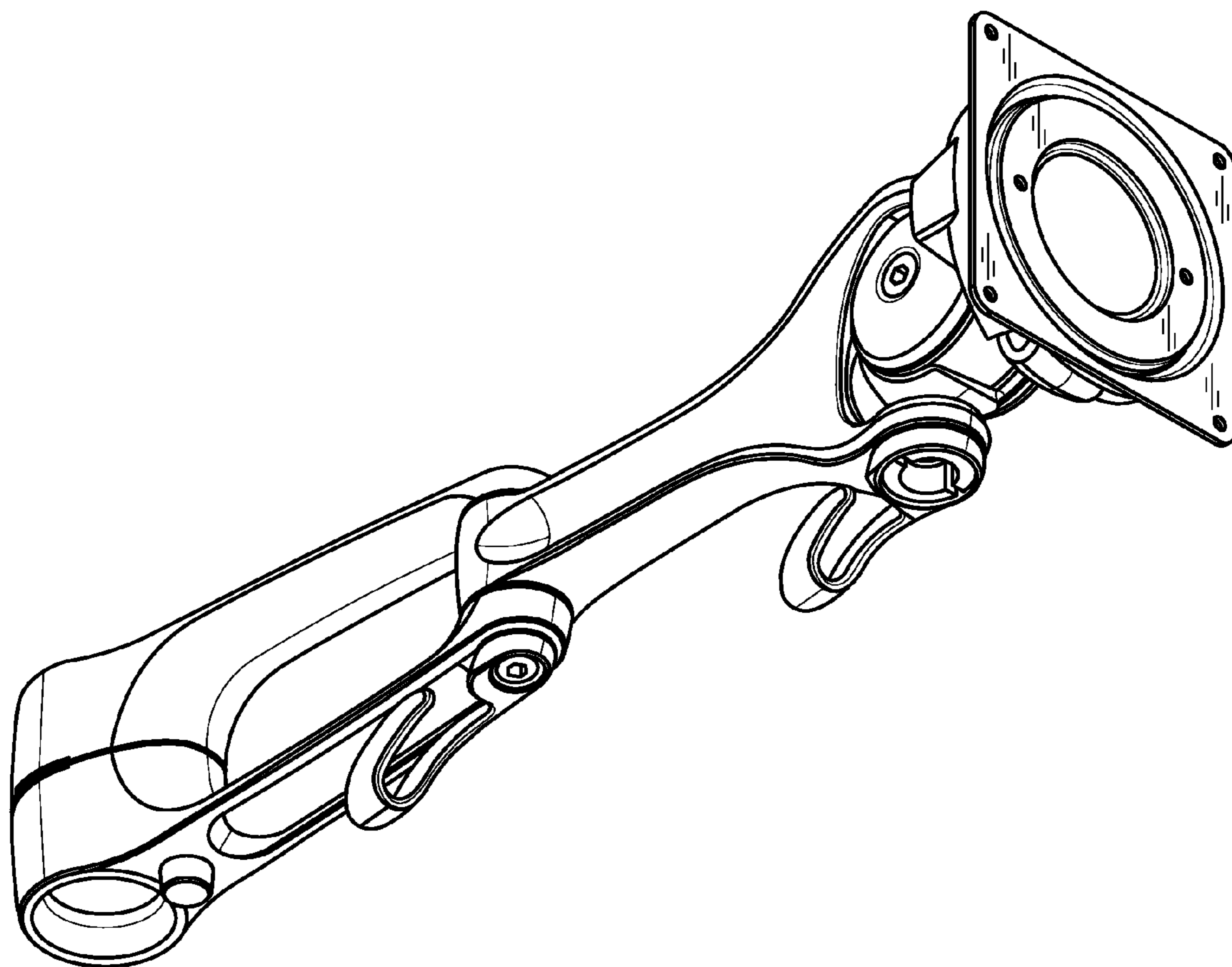
This design is not limited to the exact details shown in the  
figures, since equivalents and colorable imitations thereof  
will be evident to a person of ordinary skill in the art. Thus,  
within the scope of the appended claim, which is intended to  
cover only the ornamental and novel elements shown in the  
drawings, the invention may be practiced otherwise than as  
specifically shown and described herein.

**1 Claim, 7 Drawing Sheets**

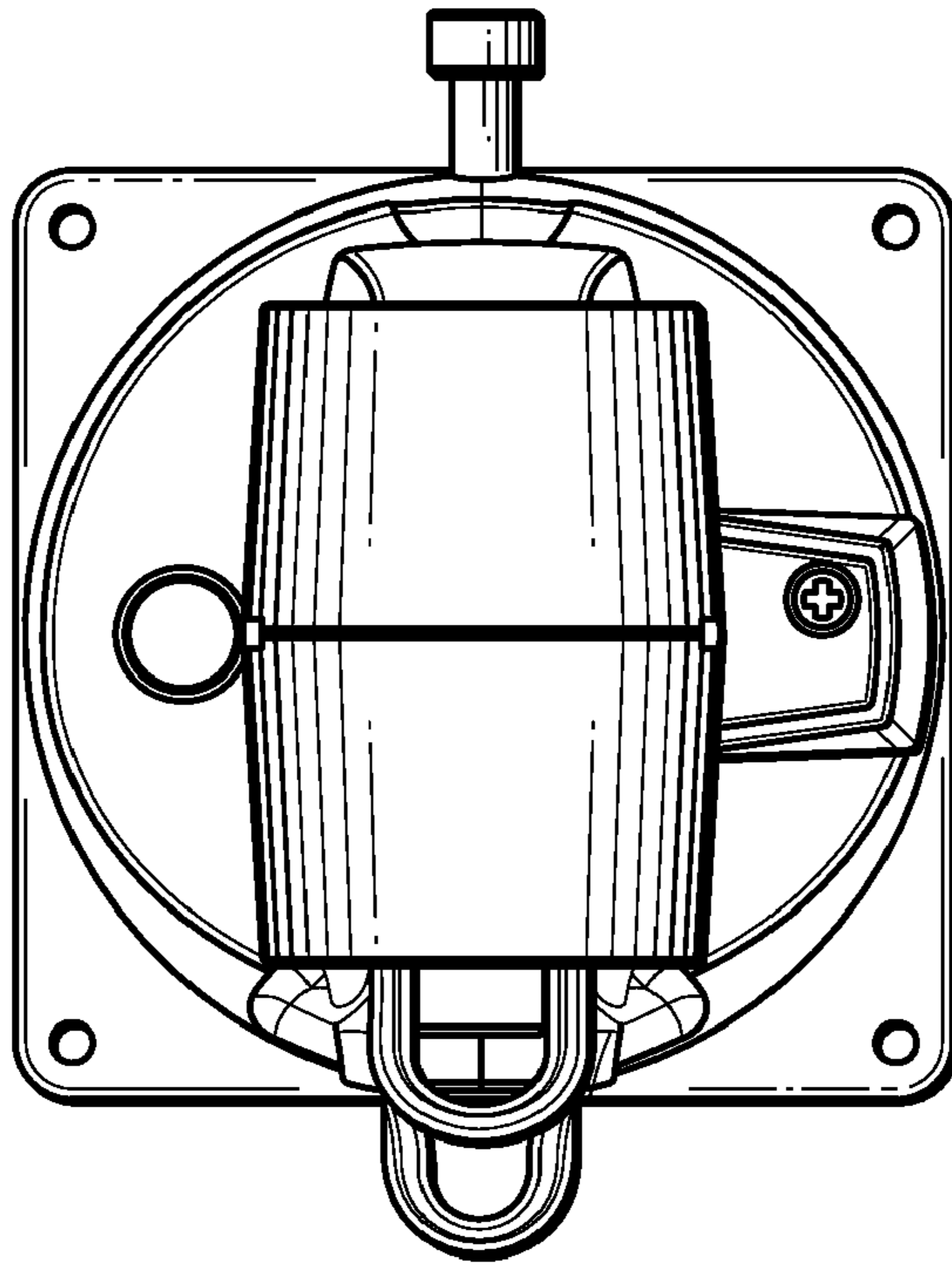




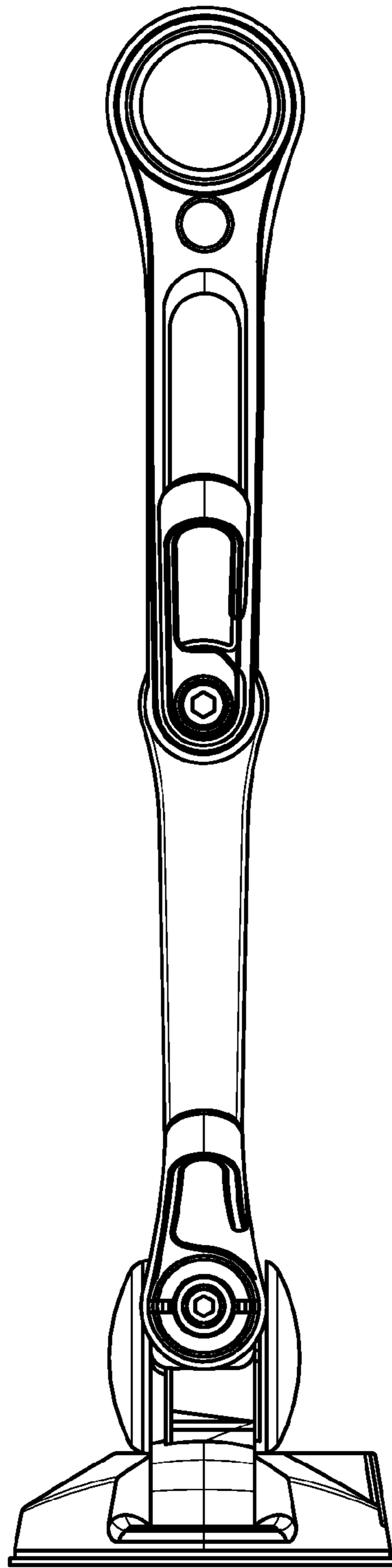
**FIG. 1**



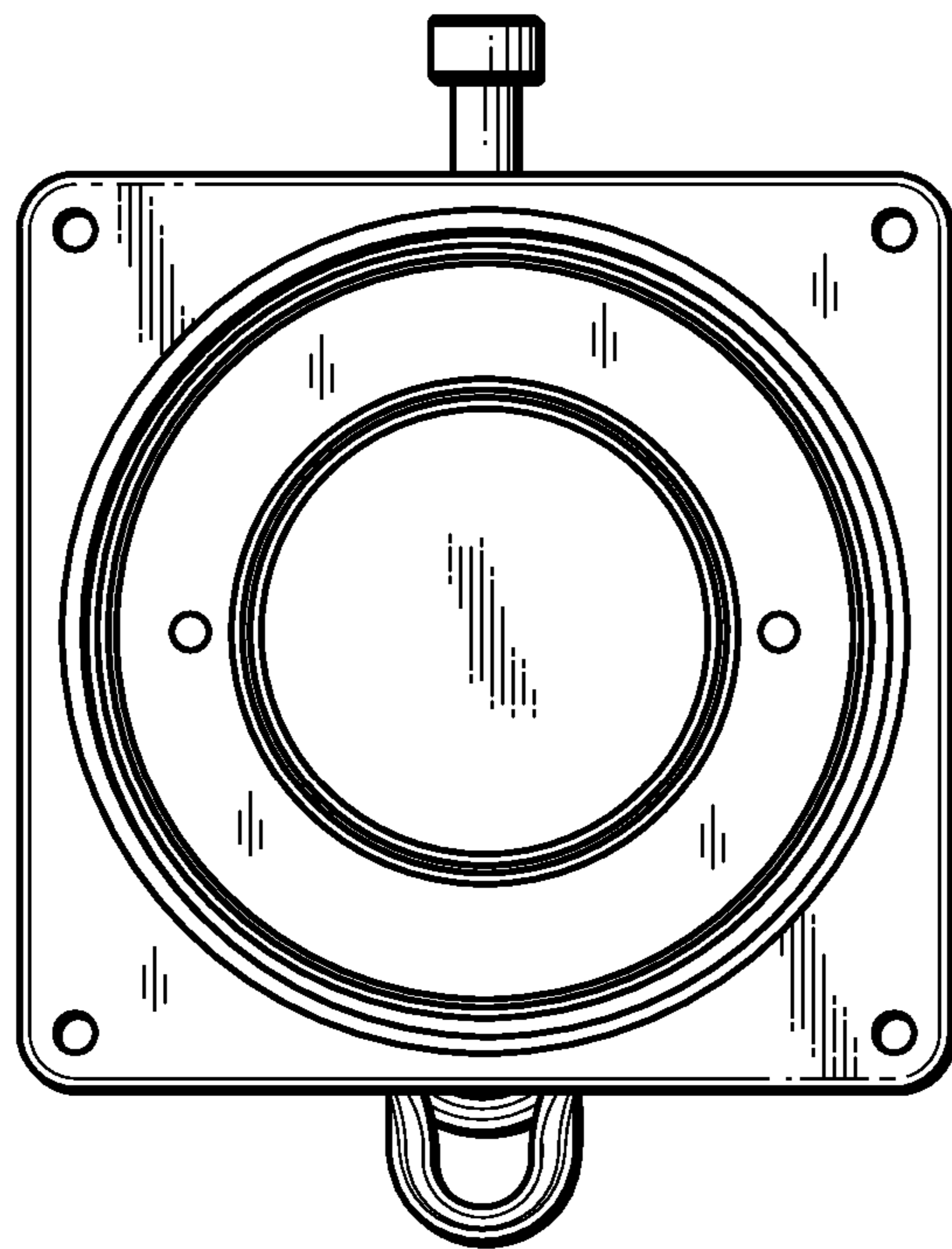
**FIG. 2**



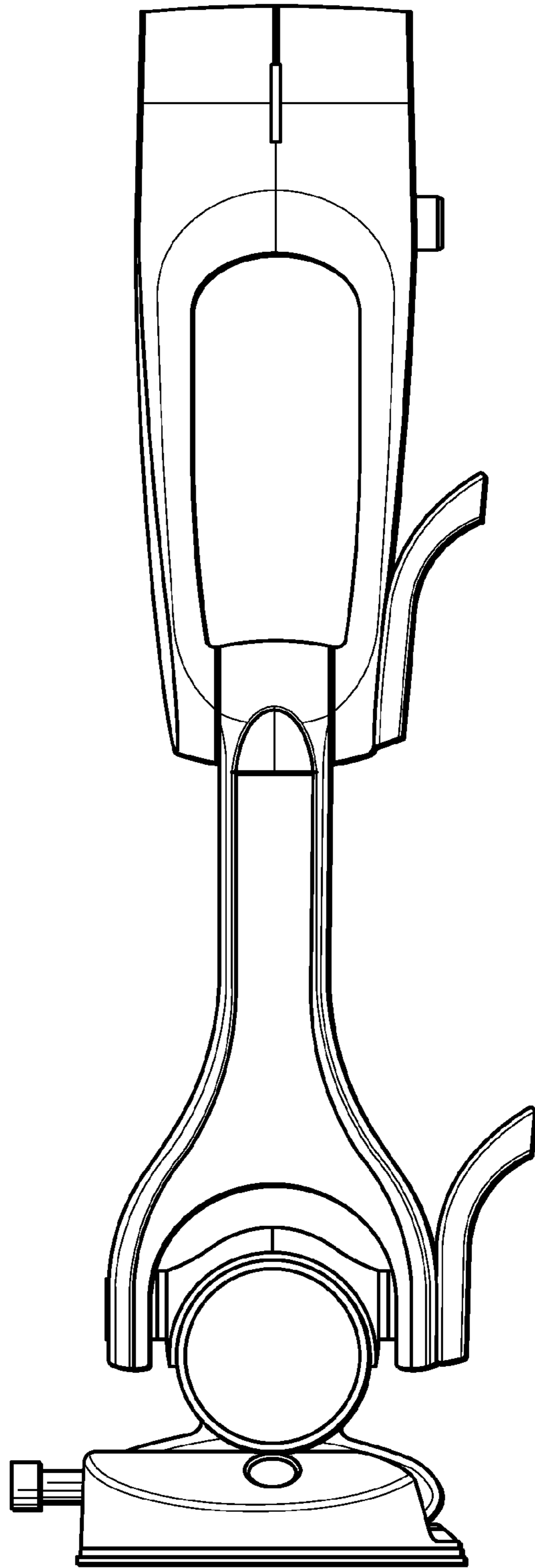
**FIG. 3**



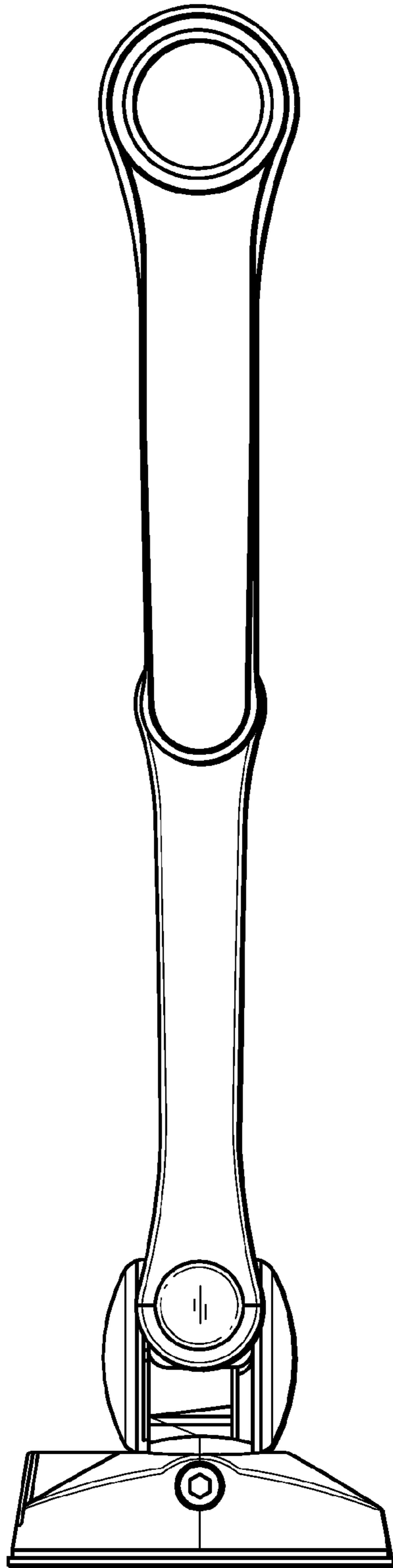
**FIG. 4**



**FIG. 5**



**FIG. 6**



**FIG. 7**