



US00D649534S

(12) **United States Design Patent**
Mi et al.

(10) **Patent No.:** **US D649,534 S**

(45) **Date of Patent:** **** Nov. 29, 2011**

(54) **ANTENNA**

(75) Inventors: **Shih-Yuan Mi**, New Taipei (TW); **Yi-Ru Yang**, New Taipei (TW); **Lan-Yung Hsiao**, New Taipei (TW); **Jia-Hung Su**, New Taipei (TW); **Kai Shih**, New Taipei (TW)

(73) Assignee: **Cheng Uei Precision Industry Co., Ltd.**, New Taipei (TW)

(**) Term: **14 Years**

(21) Appl. No.: **29/397,137**

(22) Filed: **Jul. 12, 2011**

(51) **LOC (9) Cl.** **14-03**

(52) **U.S. Cl.** **D14/230**

(58) **Field of Classification Search** D14/138,
D14/230-238, 299, 358; D12/42, 43; 343/700 MS,
343/700 R-705, 711-713, 735, 736, 741,
343/748, 767, 795, 819, 840, 846, 866, 871-908;
455/90.2, 90.3, 91, 128, 269, 344, 347, 562.1;
333/193, 195

See application file for complete search history.

(56) **References Cited**

U.S. PATENT DOCUMENTS

7,667,664 B2 * 2/2010 Tao 343/873
D618,223 S * 6/2010 Tsai et al. D14/230

D633,483 S * 3/2011 Su et al. D14/230
D636,764 S * 4/2011 Mi et al. D14/230
7,982,674 B2 * 7/2011 Yang et al. 343/700 MS
2010/0149041 A1 * 6/2010 Asraff et al. 343/700 MS
2010/0171664 A1 * 7/2010 Yang et al. 343/700 MS
2010/0253582 A1 * 10/2010 Nozawa 343/702
2011/0187603 A1 * 8/2011 Komaki et al. 343/700 MS

* cited by examiner

Primary Examiner — Celia A. Murphy

Assistant Examiner — John Windmuller

(74) *Attorney, Agent, or Firm* — WPAT, P.C.; Anthony King

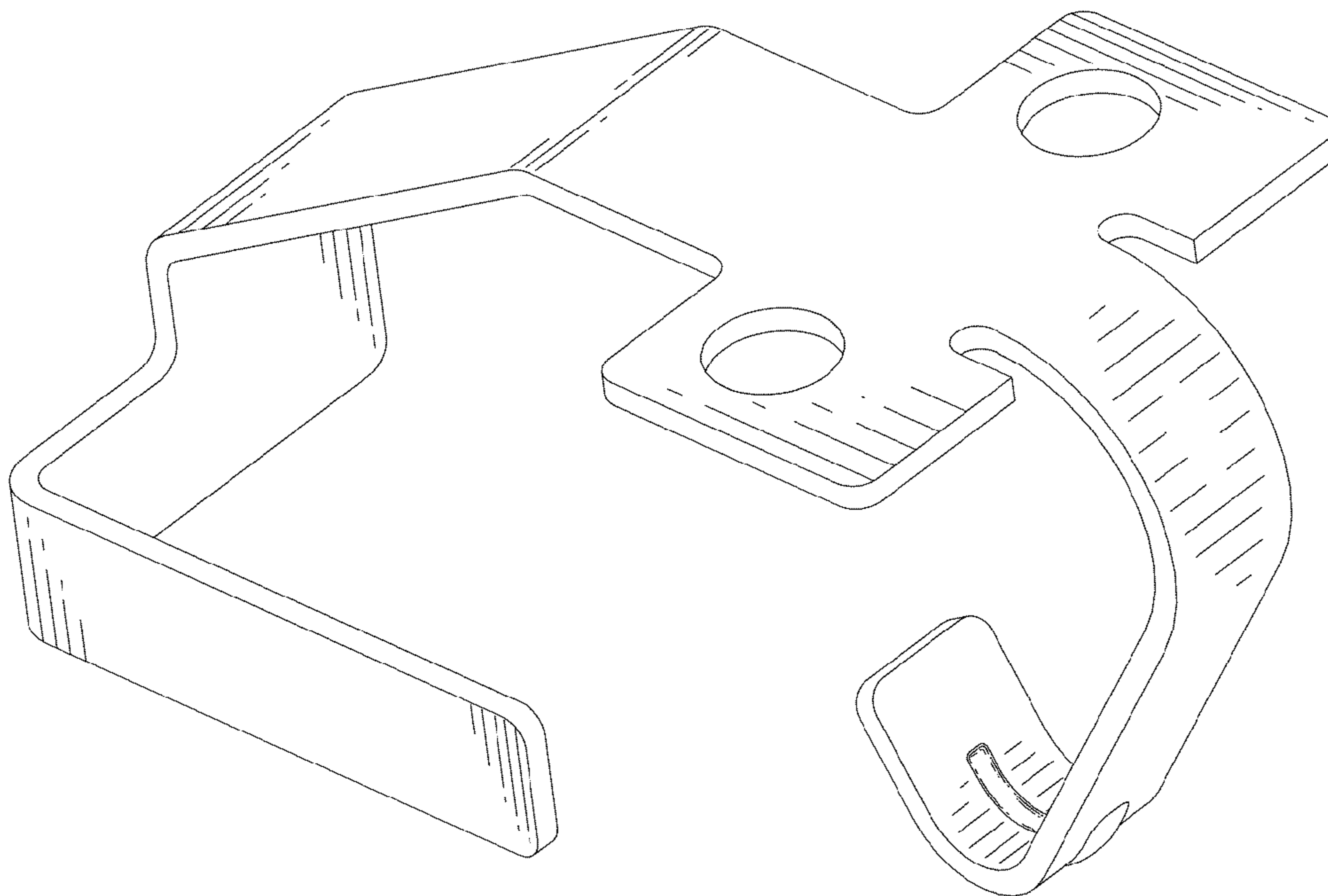
(57) **CLAIM**

The ornamental design for an antenna, as shown and described.

DESCRIPTION

FIG. 1 is a perspective view of an antenna showing our new design;
FIG. 2 is a front elevational view thereof;
FIG. 3 is a rear elevational view thereof;
FIG. 4 is a left side elevational view thereof;
FIG. 5 is a right side elevational view thereof;
FIG. 6 is a top plan view thereof; and,
FIG. 7 is a bottom plan view thereof.

1 Claim, 7 Drawing Sheets



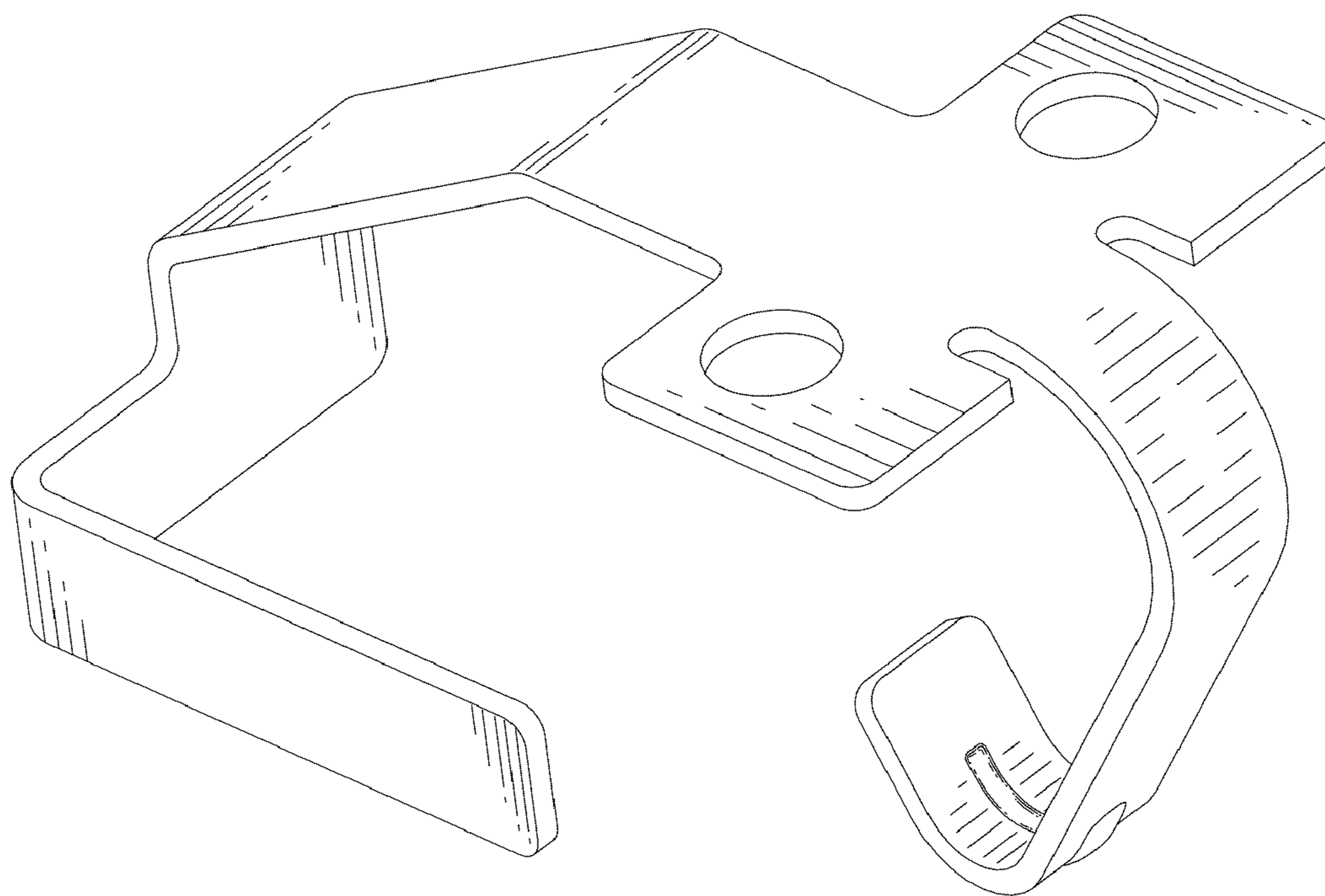


FIG. 1

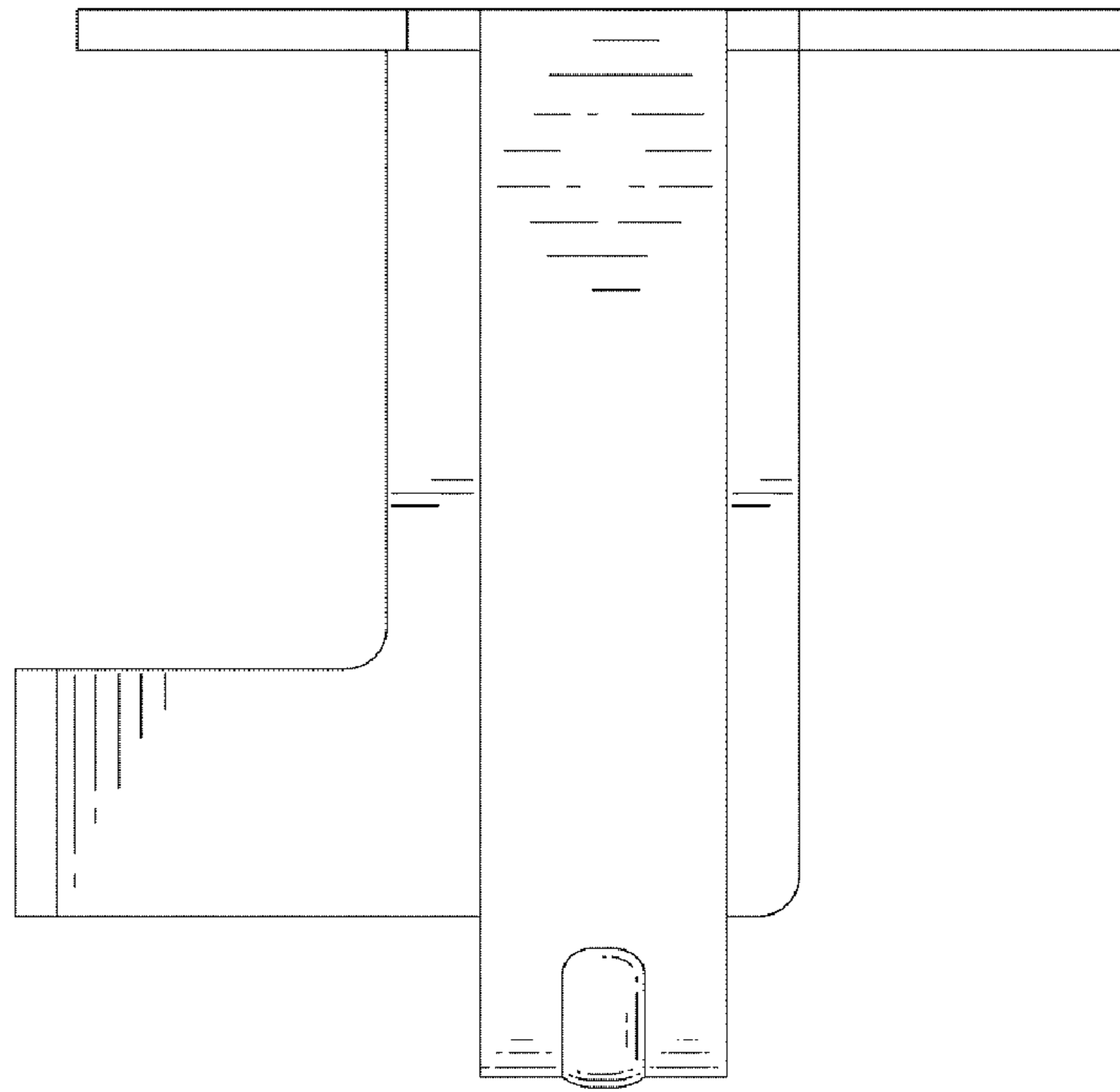


FIG. 2

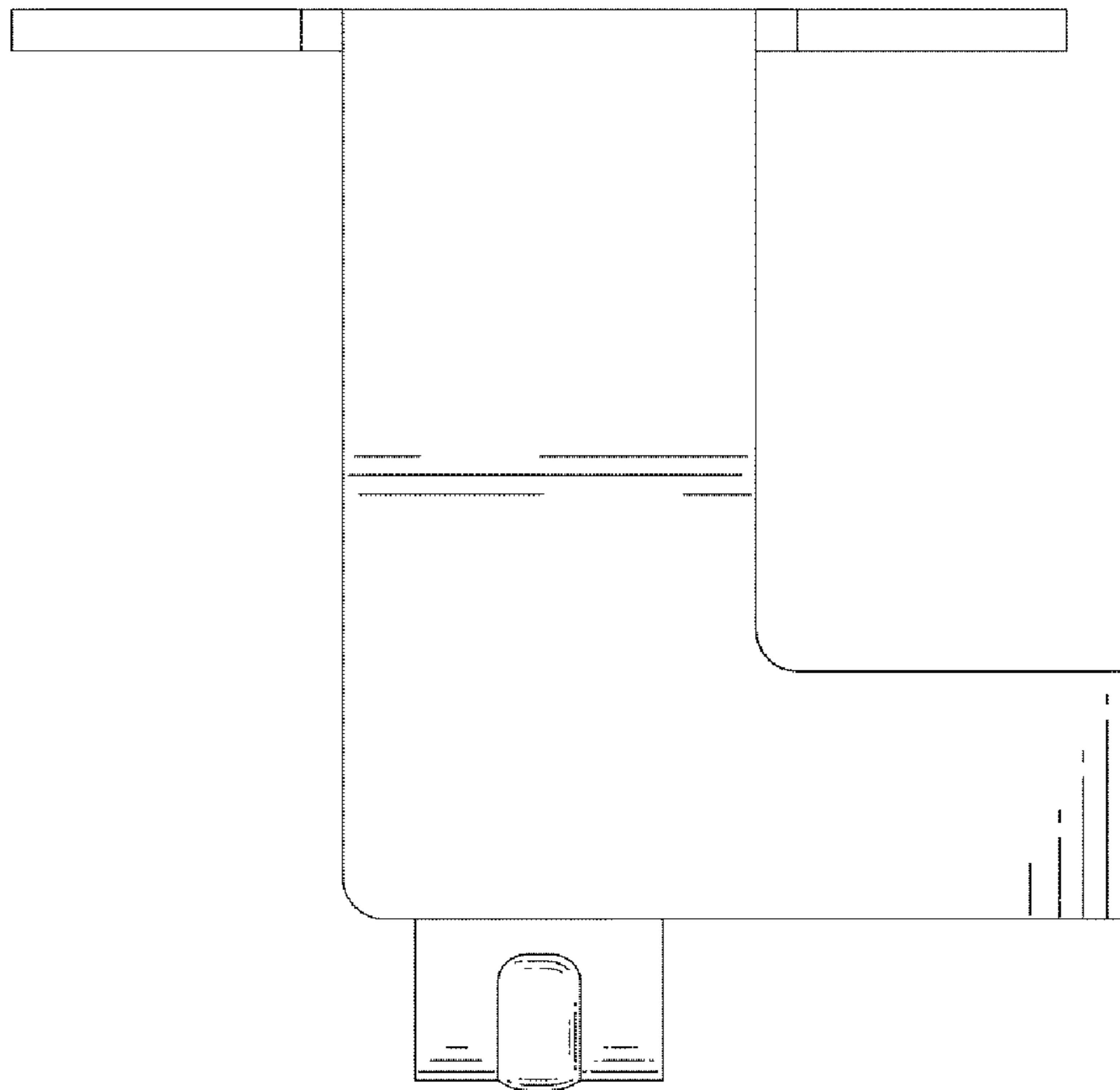


FIG. 3

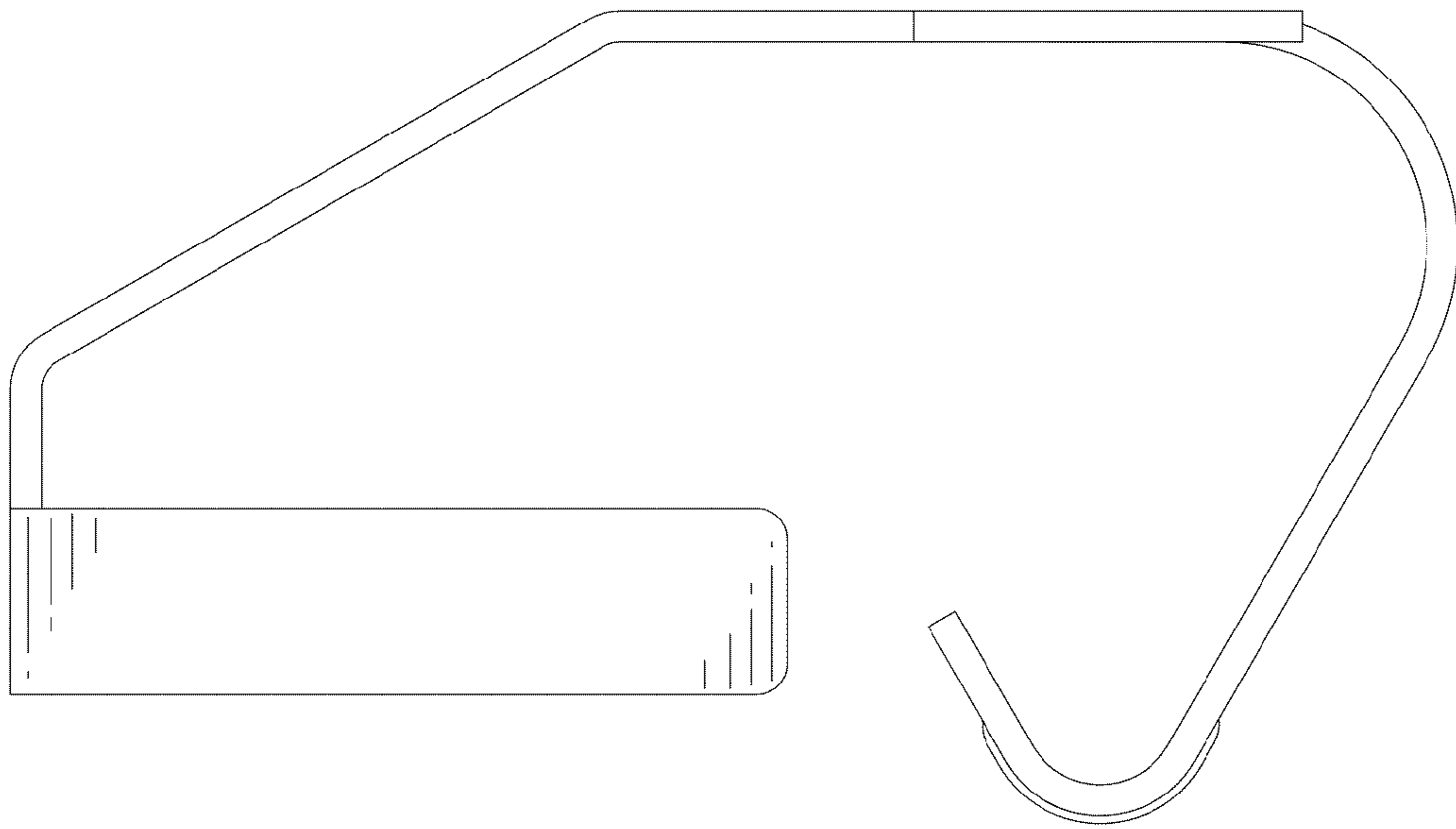


FIG. 4

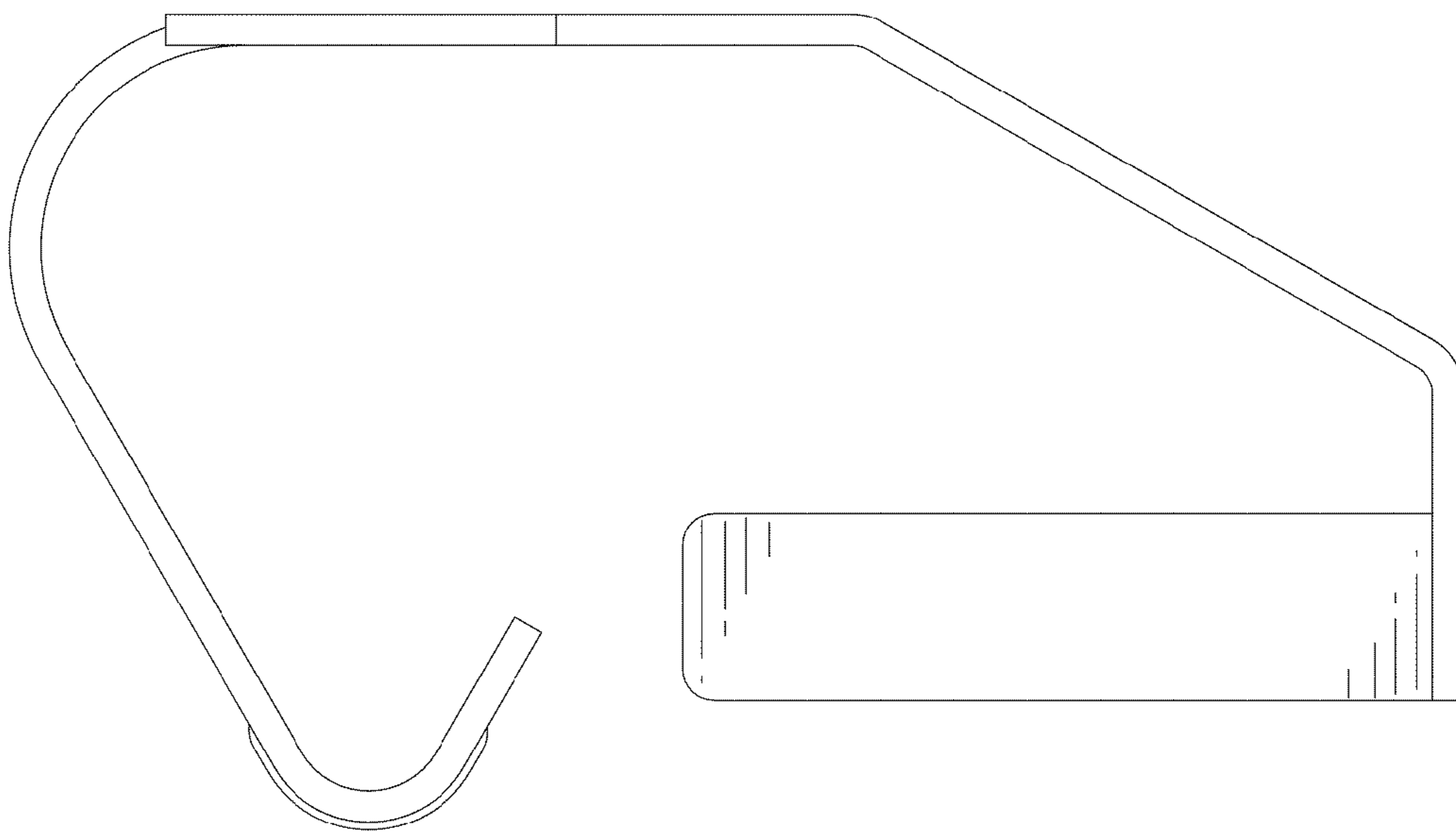


FIG. 5

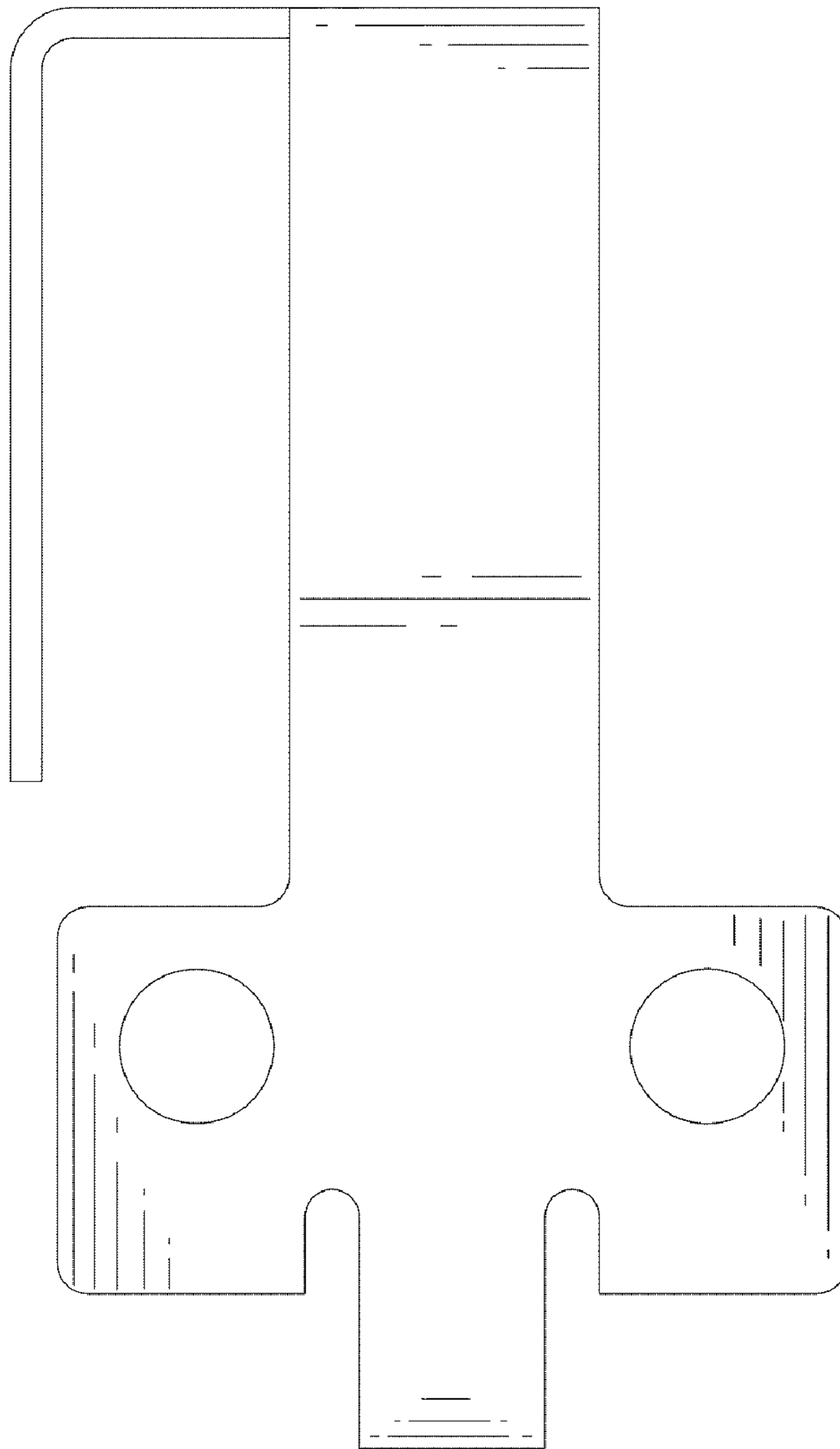


FIG. 6

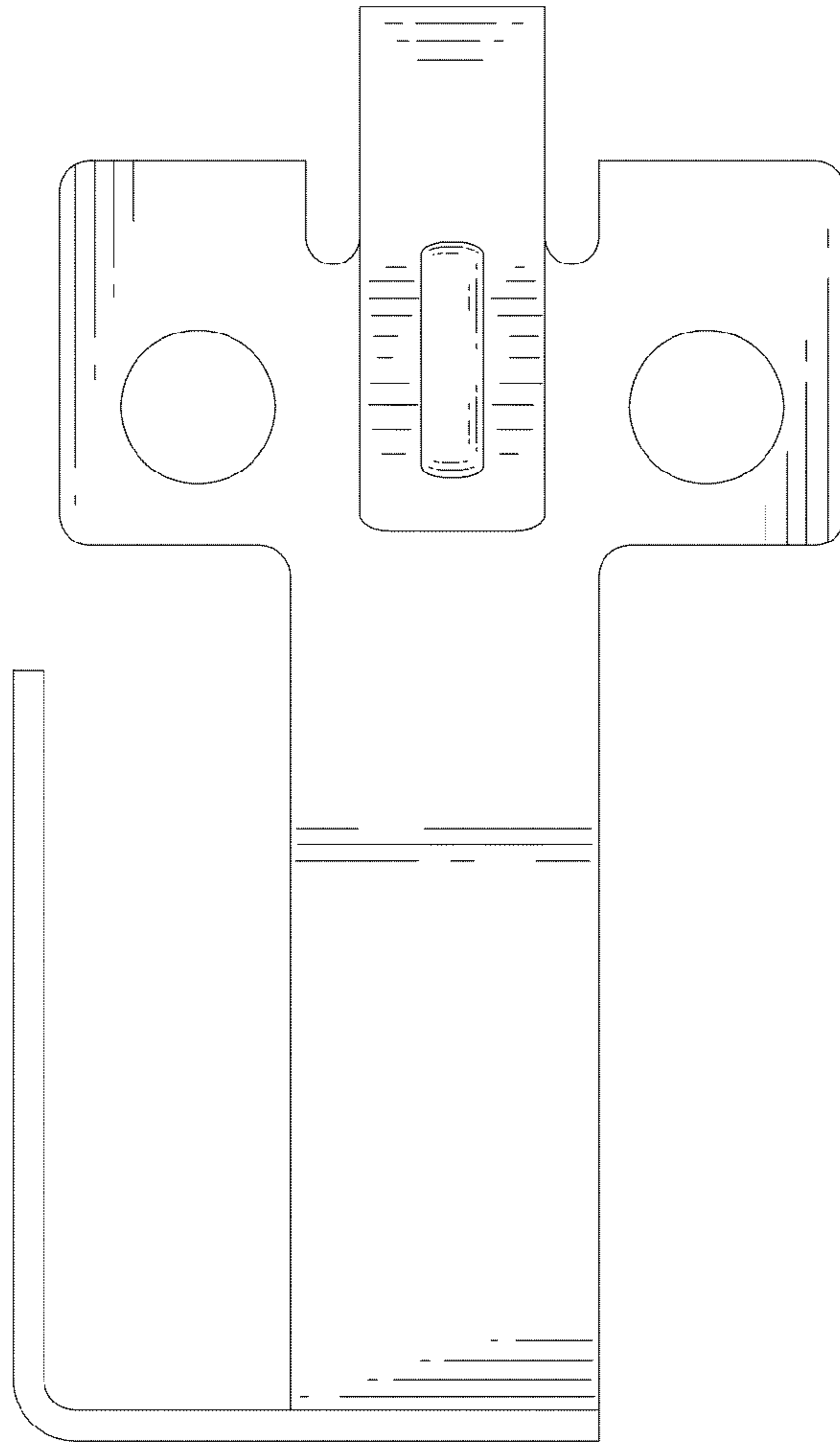


FIG. 7