



US00D649533S

(12) **United States Design Patent**
Lee et al.

(10) **Patent No.:** **US D649,533 S**
(45) **Date of Patent:** **** Nov. 29, 2011**

(54) **EARPIECE FOR HEADPHONES**
(75) Inventors: **Noel Lee**, Las Vegas, NV (US); **Jacky Hsiung**, San Jose, CA (US)
(73) Assignee: **Monster Cable Products, Inc.**,
Brisbane, CA (US)
(**) Term: **14 Years**
(21) Appl. No.: **29/369,250**
(22) Filed: **Sep. 3, 2010**
(51) **LOC (9) Cl.** **14-01**
(52) **U.S. Cl.** **D14/223**
(58) **Field of Classification Search** D14/205,
D14/206, 223; 181/129, 130, 135; 128/865,
128/866, 867; 70/34, 38 R; 379/430, 431;
381/380, 381, 374; 455/90.3, 575.1, 575.2
See application file for complete search history.

D566,693 S * 4/2008 Jensen et al. D14/223
D579,924 S * 11/2008 Sade et al. D14/223
D582,899 S * 12/2008 Wai D14/223
D585,431 S * 1/2009 Bradford et al. D14/223
D585,878 S * 2/2009 Jung D14/223
D594,441 S 6/2009 Lee et al.
D595,698 S * 7/2009 Guccione et al. D14/223
D598,901 S 8/2009 Lee et al.
D599,781 S 9/2009 Lee et al.
D600,675 S 9/2009 Lee et al.
D601,126 S * 9/2009 Christopher et al. D14/206
7,778,410 B2 * 8/2010 Liu et al. 379/430
D626,536 S * 11/2010 Birger D14/223
D635,559 S * 4/2011 Rye et al. D14/223
7,920,902 B2 * 4/2011 Carroll 455/569.1

* cited by examiner

Primary Examiner — Paula Greene

(74) *Attorney, Agent, or Firm* — LaRiviere, Grubman & Payne, LLP

(57) **CLAIM**

The ornamental design for an earpiece for headphones, as shown and described.

(56) **References Cited**

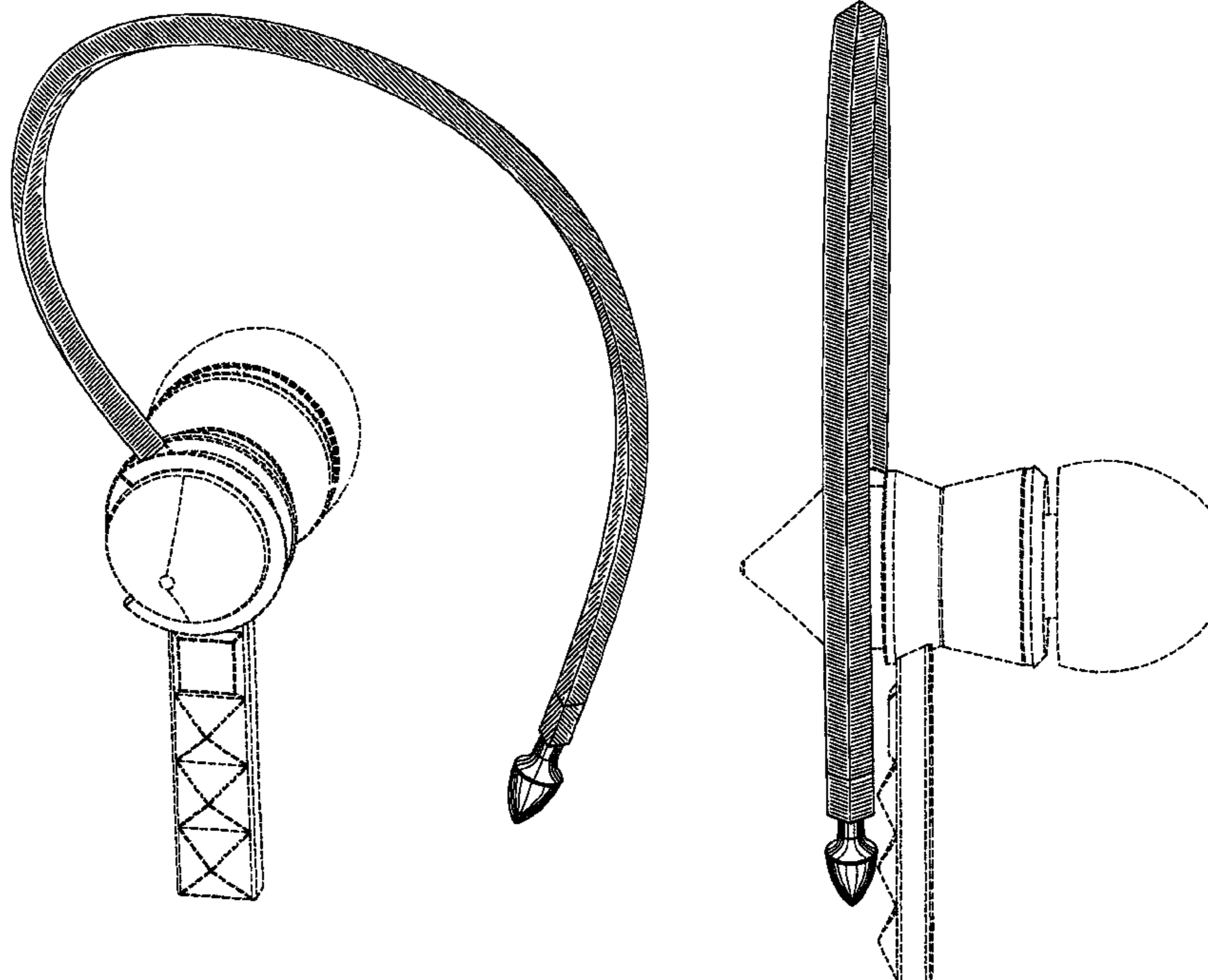
U.S. PATENT DOCUMENTS

1,587,643	A *	6/1926	Harman	181/135
3,431,370	A *	3/1969	Crosby	181/131
3,539,032	A *	11/1970	Scanlon	181/135
4,381,830	A *	5/1983	Jelonek et al.	181/129
4,724,922	A *	2/1988	Kalayjian	181/135
4,977,976	A *	12/1990	Major	181/130
5,475,449	A *	12/1995	Pyle	351/123
5,753,870	A *	5/1998	Schlaegel et al.	181/129
6,396,935	B1 *	5/2002	Makkonen	381/334
D480,073	S *	9/2003	Jensen et al.	D14/240
6,769,277	B1 *	8/2004	Chang	70/52
D518,816	S *	4/2006	Naito et al.	D14/205
D529,021	S *	9/2006	Jensen et al.	D14/223
7,120,268	B2 *	10/2006	Murozaki et al.	381/381
D553,613	S *	10/2007	Sade et al.	D14/223

DESCRIPTION

FIG. 1 is a perspective view of an earpiece for headphones, showing our design;
FIG. 2 is a front view thereof;
FIG. 3 is a rear view thereof;
FIG. 4 is a side view thereof;
FIG. 5 is an opposing side view thereof;
FIG. 6 is a top view thereof; and,
FIG. 7 is a bottom view thereof.
The broken lines showing the environment are for illustrative purposes only and form no part of the claimed design.

1 Claim, 5 Drawing Sheets



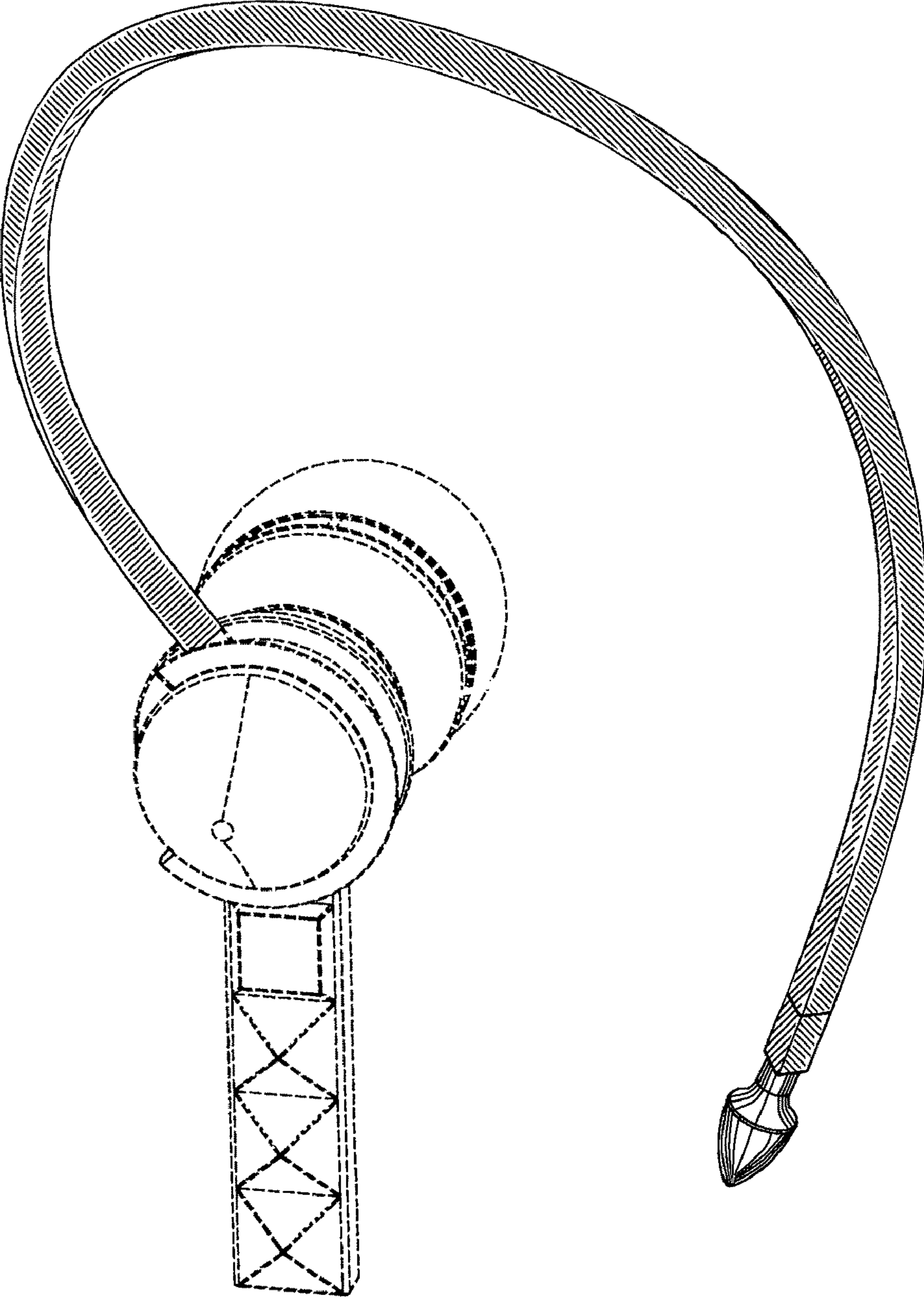


Figure 1

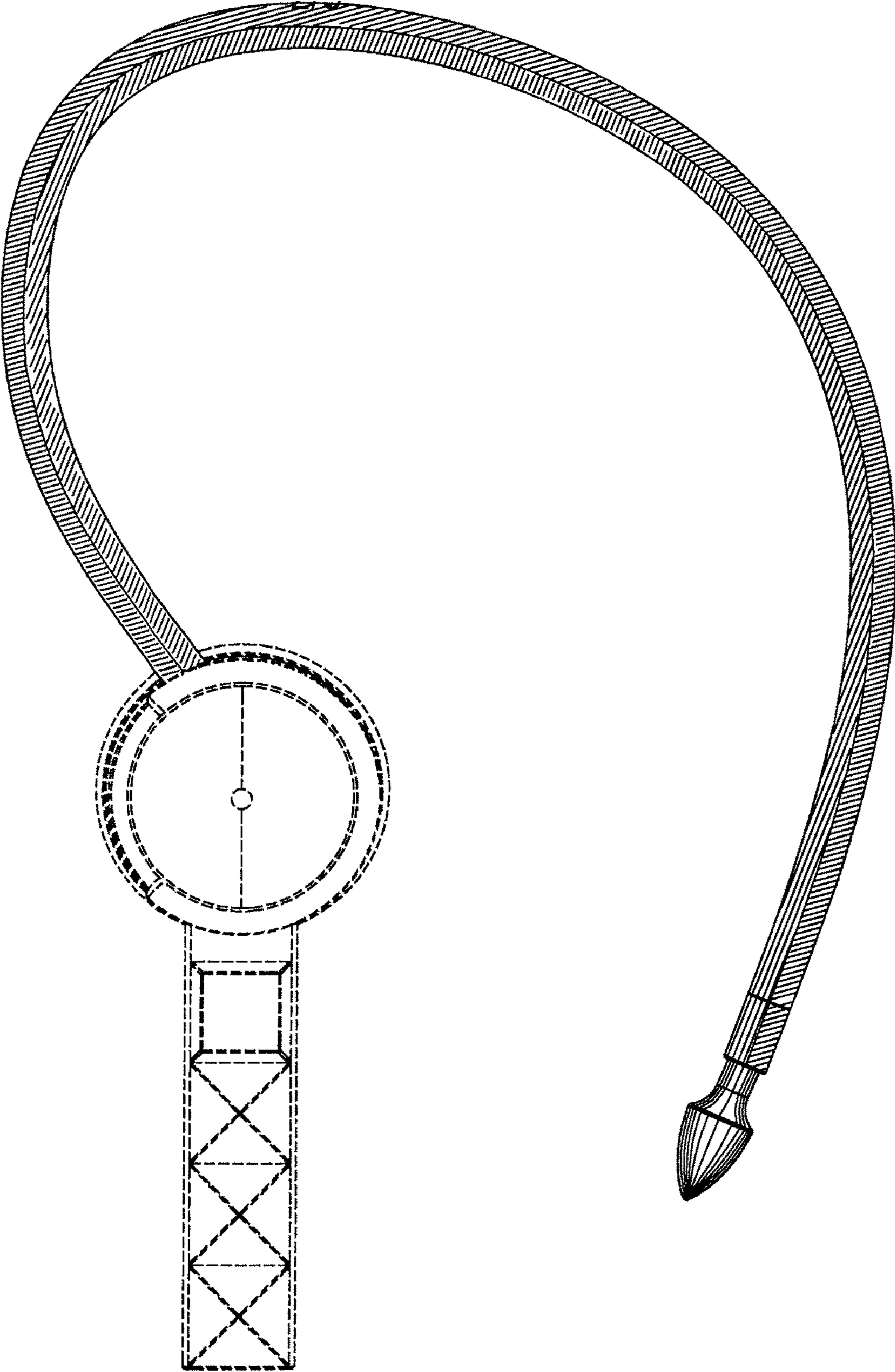


Figure 2

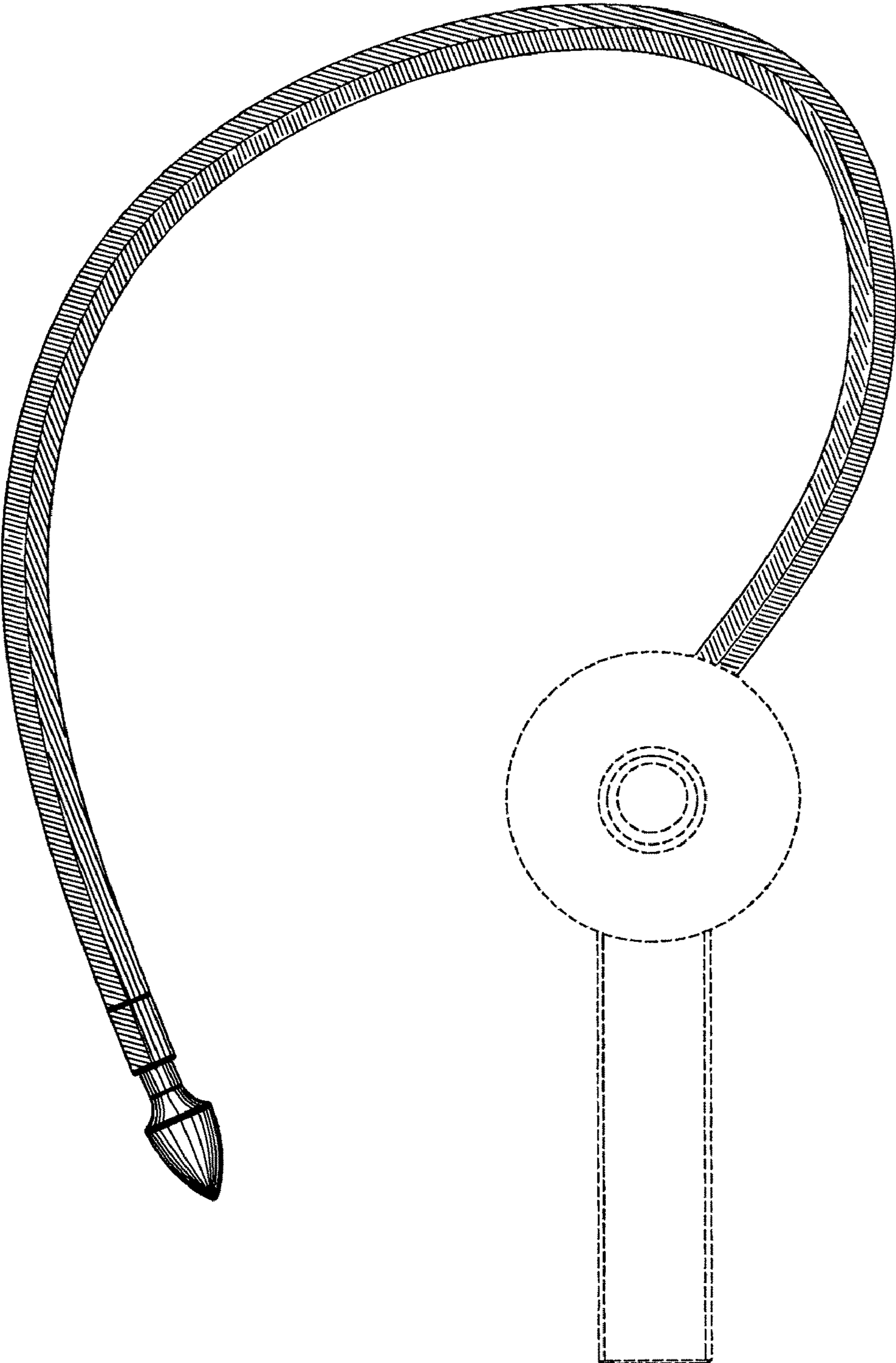


Figure 3

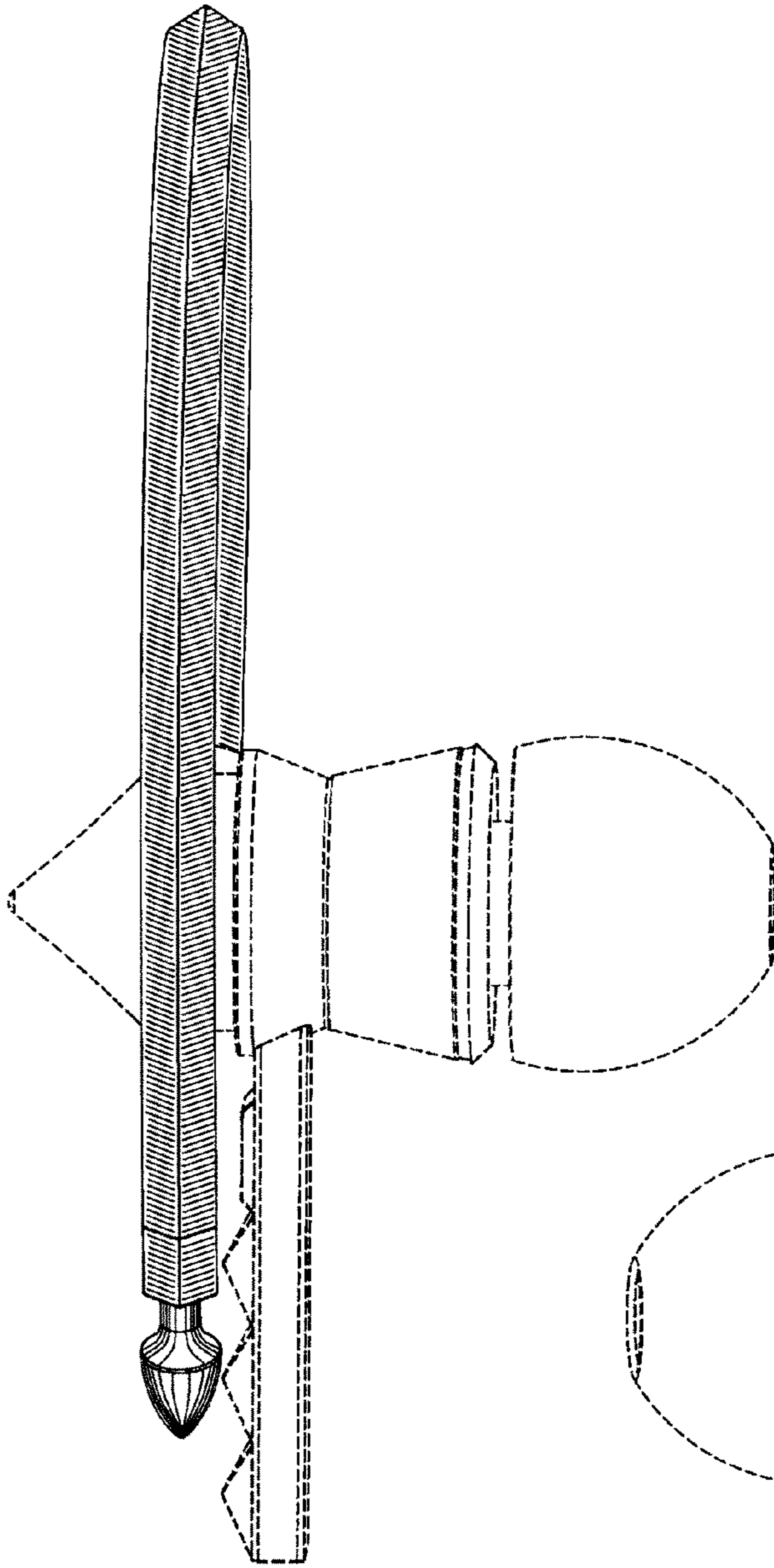


Figure 4

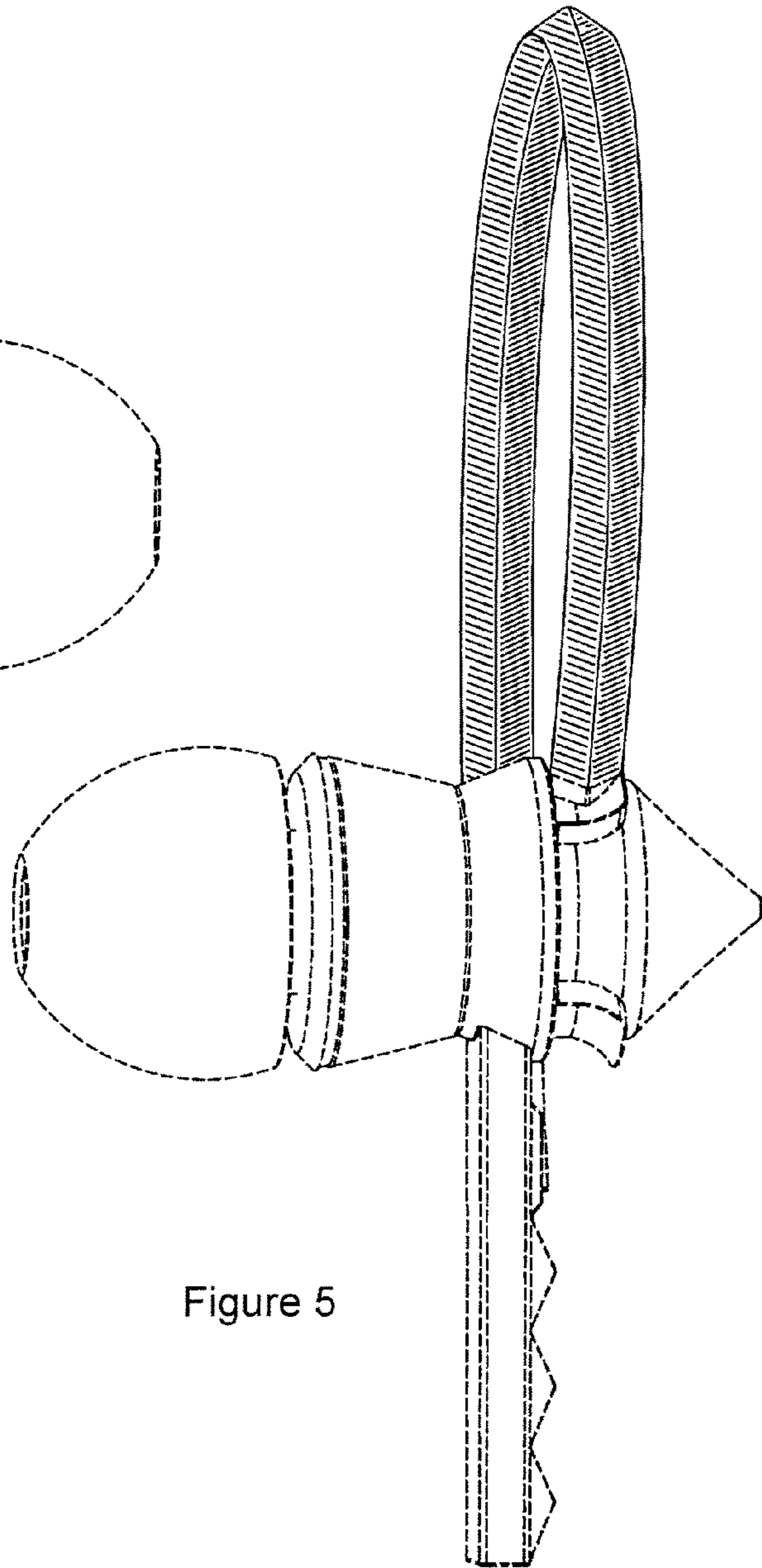


Figure 5

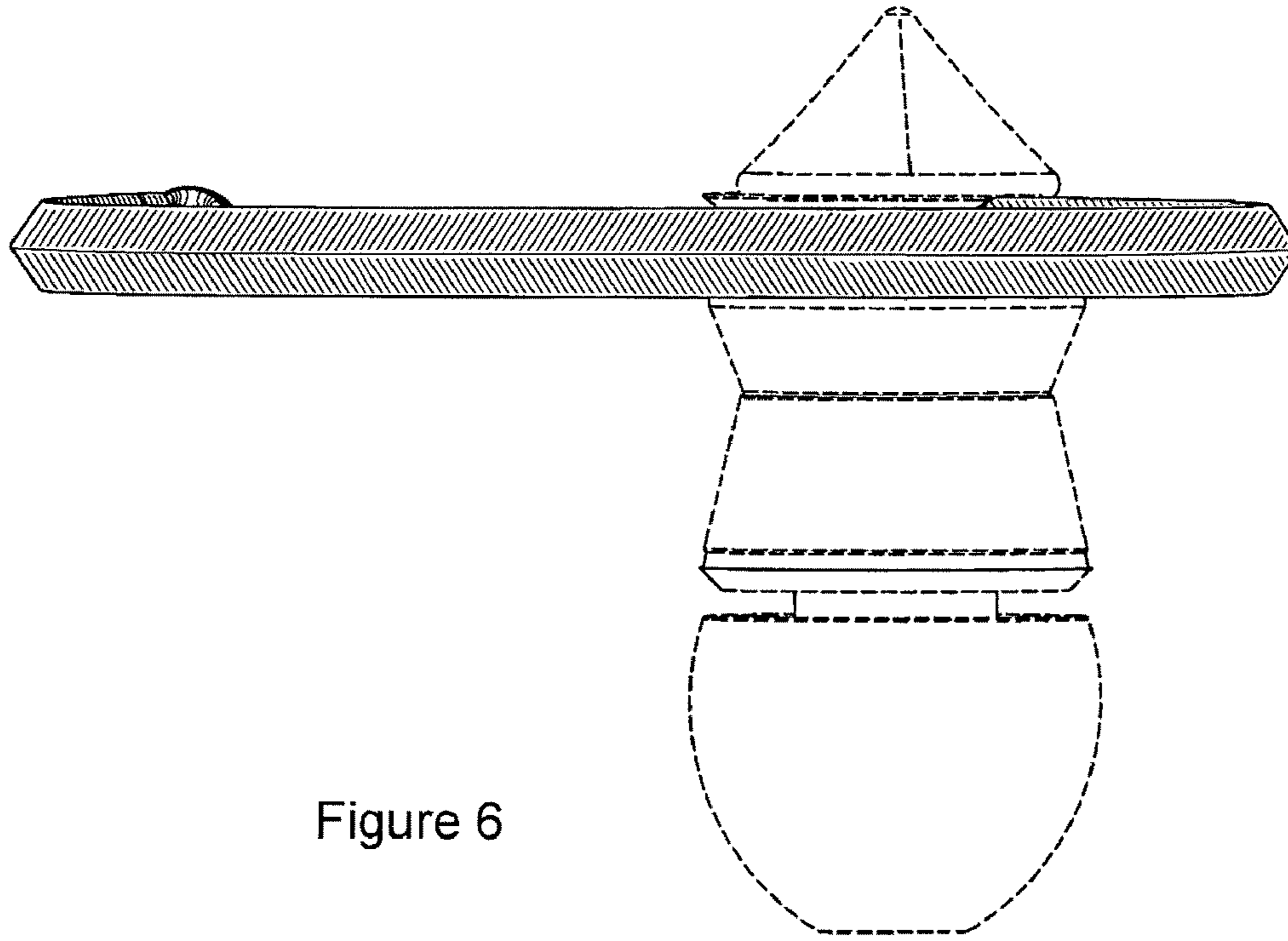


Figure 6

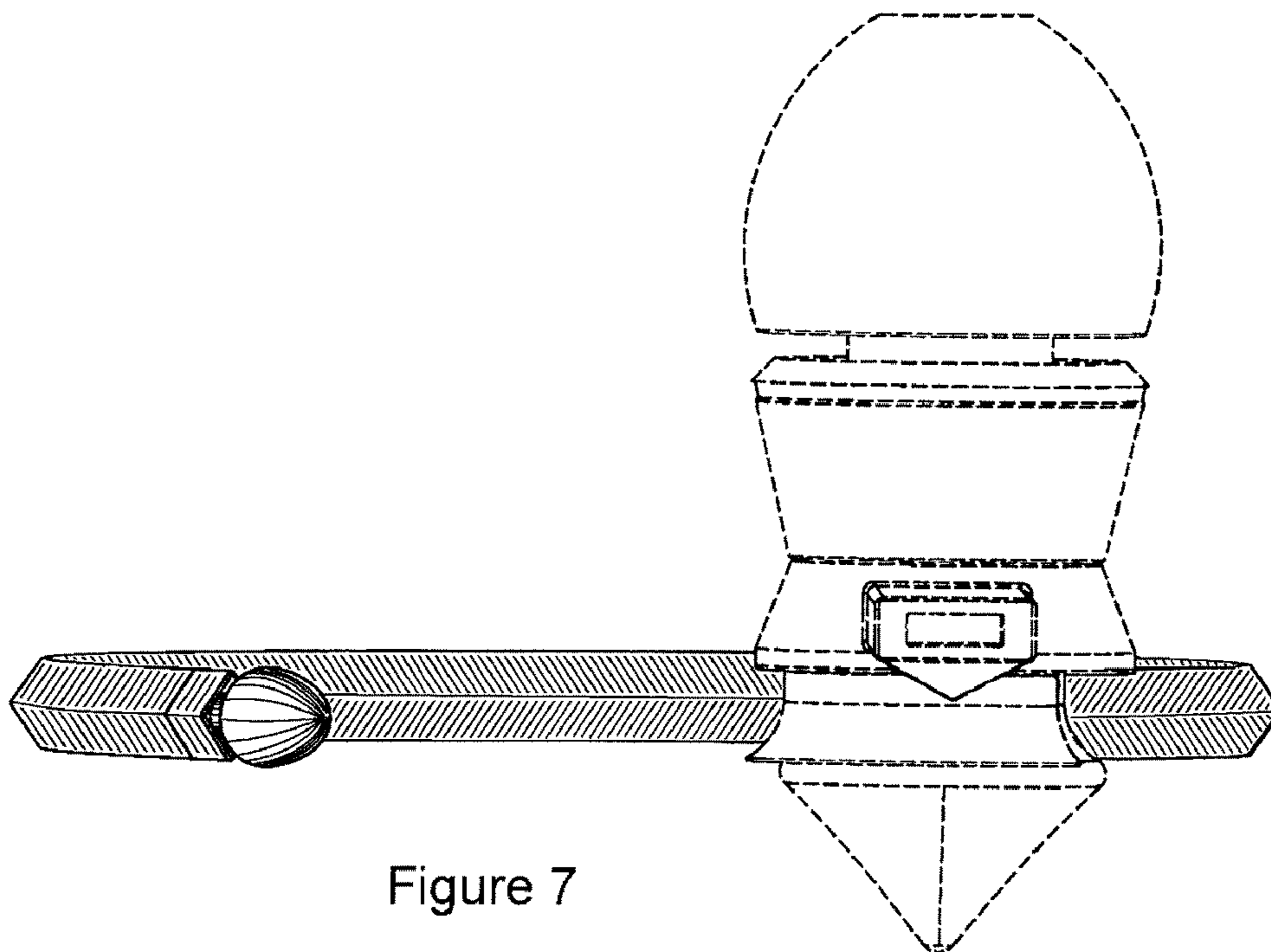


Figure 7