



US00D649521S

(12) **United States Design Patent**  
**Lin**

(10) **Patent No.:** **US D649,521 S**

(45) **Date of Patent:** **\*\* Nov. 29, 2011**

(54) **LIGHT EMITTING DIODE**

(75) Inventor: **Yung-Chung Lin**, Tucheng (TW)

(73) Assignee: **Everlight Electronics Co., Ltd.**,  
Tucheng, Taipei County (TW)

(\*\*) Term: **14 Years**

(21) Appl. No.: **29/355,697**

(22) Filed: **Feb. 12, 2010**

(51) **LOC (9) Cl.** ..... **13-03**

(52) **U.S. Cl.** ..... **D13/180**

(58) **Field of Classification Search** ..... D26/1;  
D13/180; 257/79-81, 88-89, 95, 98-100;  
313/483, 498-500; 362/555, 800  
See application file for complete search history.

(56) **References Cited**

**U.S. PATENT DOCUMENTS**

D576,574 S *	9/2008	Kobayakawa	.....	D13/180
D578,671 S *	10/2008	Kanayama et al.	.....	D26/1
D591,697 S *	5/2009	Andrews et al.	.....	D13/182
D593,224 S *	5/2009	Hanley	.....	D26/2

**FOREIGN PATENT DOCUMENTS**

EP	000670294-0001	5/2001
KR	300364191	10/2004
KR	300482381	3/2008

\* cited by examiner

*Primary Examiner* — Marcus Jackson

(74) *Attorney, Agent, or Firm* — Thomas, Kayden,  
Horstemeyer & Risley, LLP

(57) **CLAIM**

The ornamental design for a lighting emitting diode, as shown and described.

**DESCRIPTION**

FIG. 1 is a perspective view of a light emitting diode showing the claimed design;

FIG. 2 is another perspective view thereof;

FIG. 3 is a front elevational view thereof;

FIG. 4 is a rear elevational view thereof;

FIG. 5 is a left side elevational view thereof;

FIG. 6 is a right side elevational view thereof;

FIG. 7 is a top plan view thereof; and

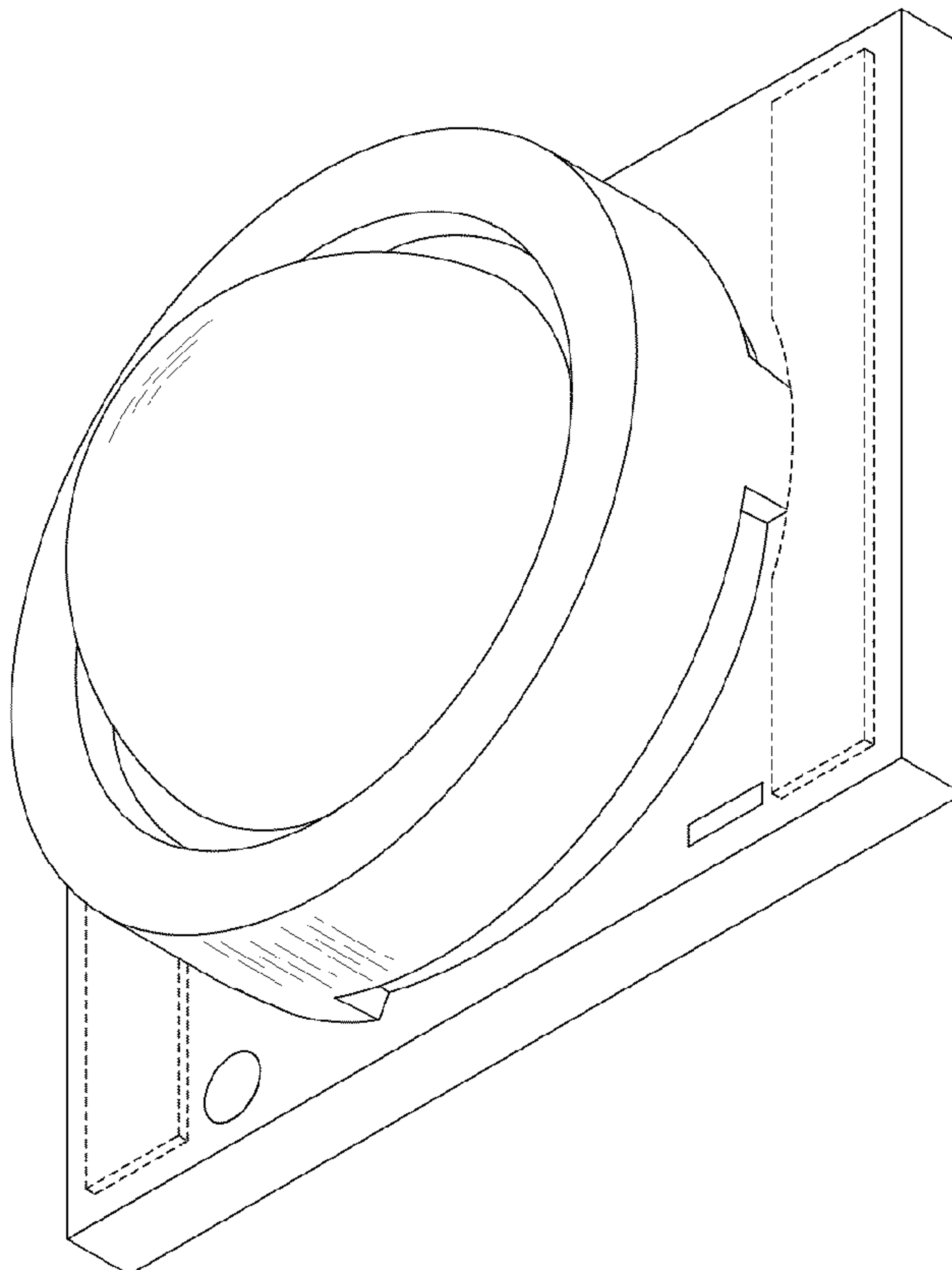
FIG. 8 is a bottom plan view thereof.

FIG. 9 is a front elevational reference view showing the visible inner structure through the light transmissive portion; and,

FIG. 10 is a cross-sectional reference view along the A-A line in FIG. 9.

The dome-like portion of the design may be made of light transmissible material. The broken lines are directed to environmental features and are for illustrative purpose only; the broken lines form no part of the claimed design.

**1 Claim, 6 Drawing Sheets**



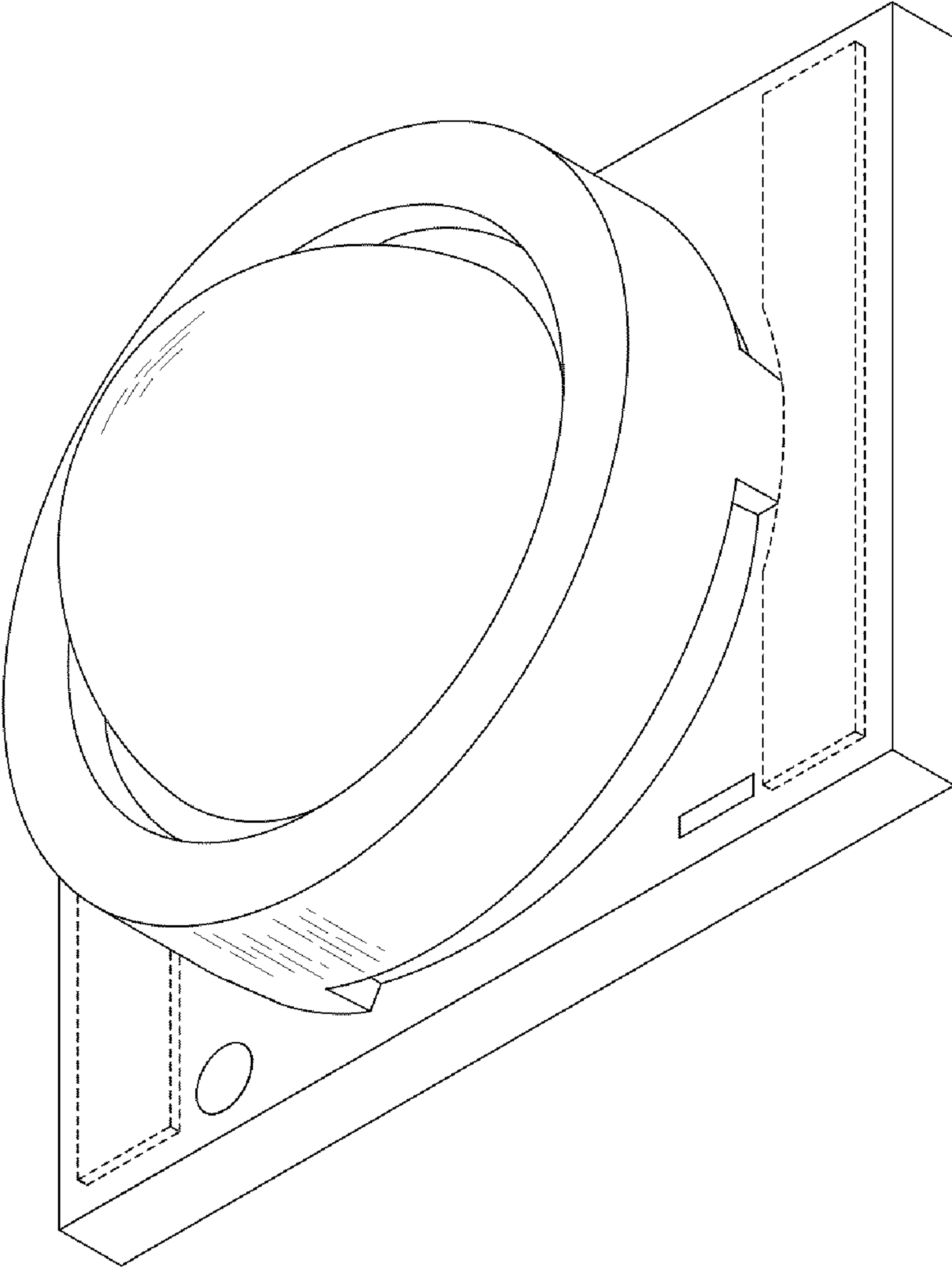


FIG. 1

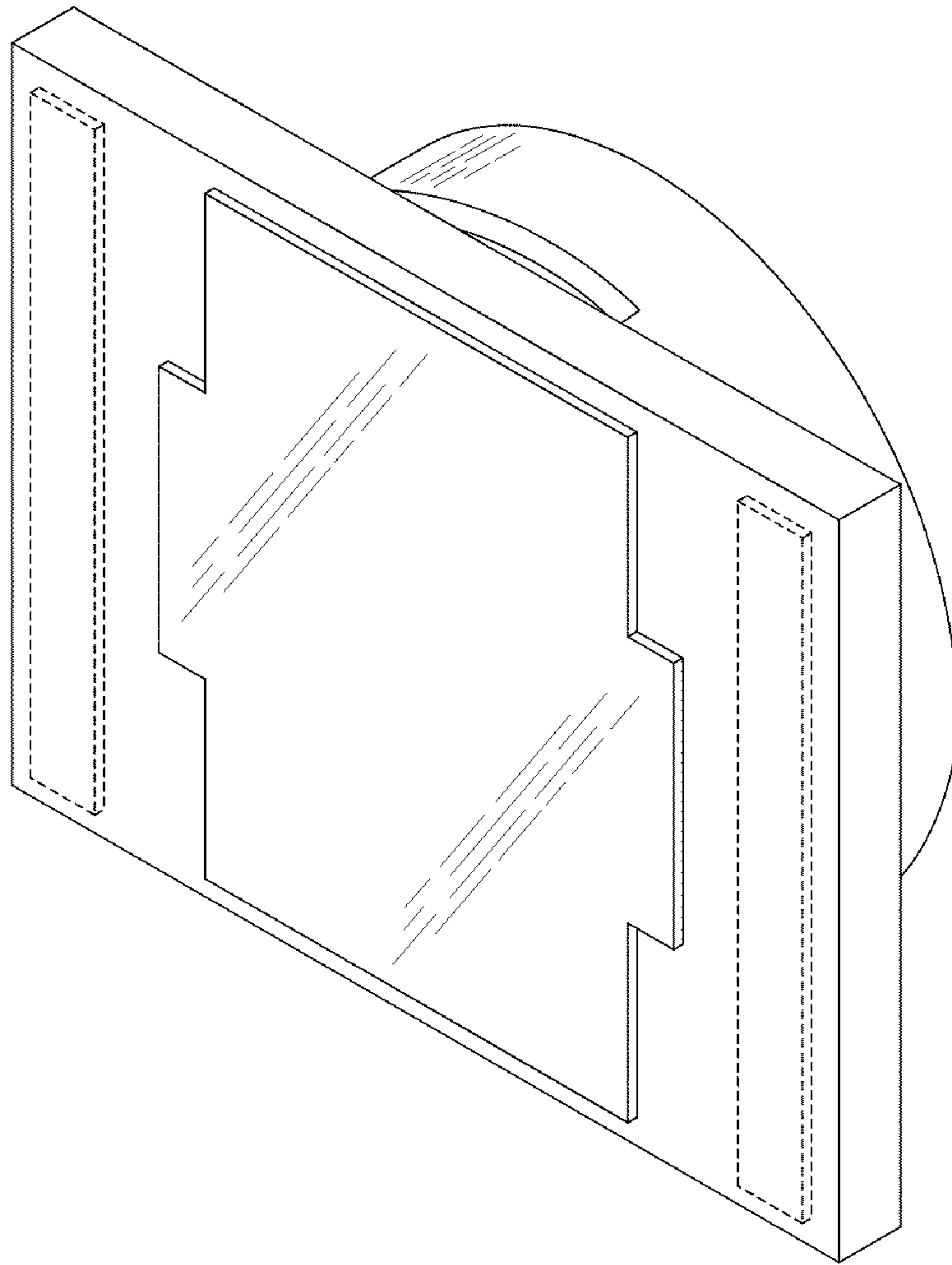


FIG. 2

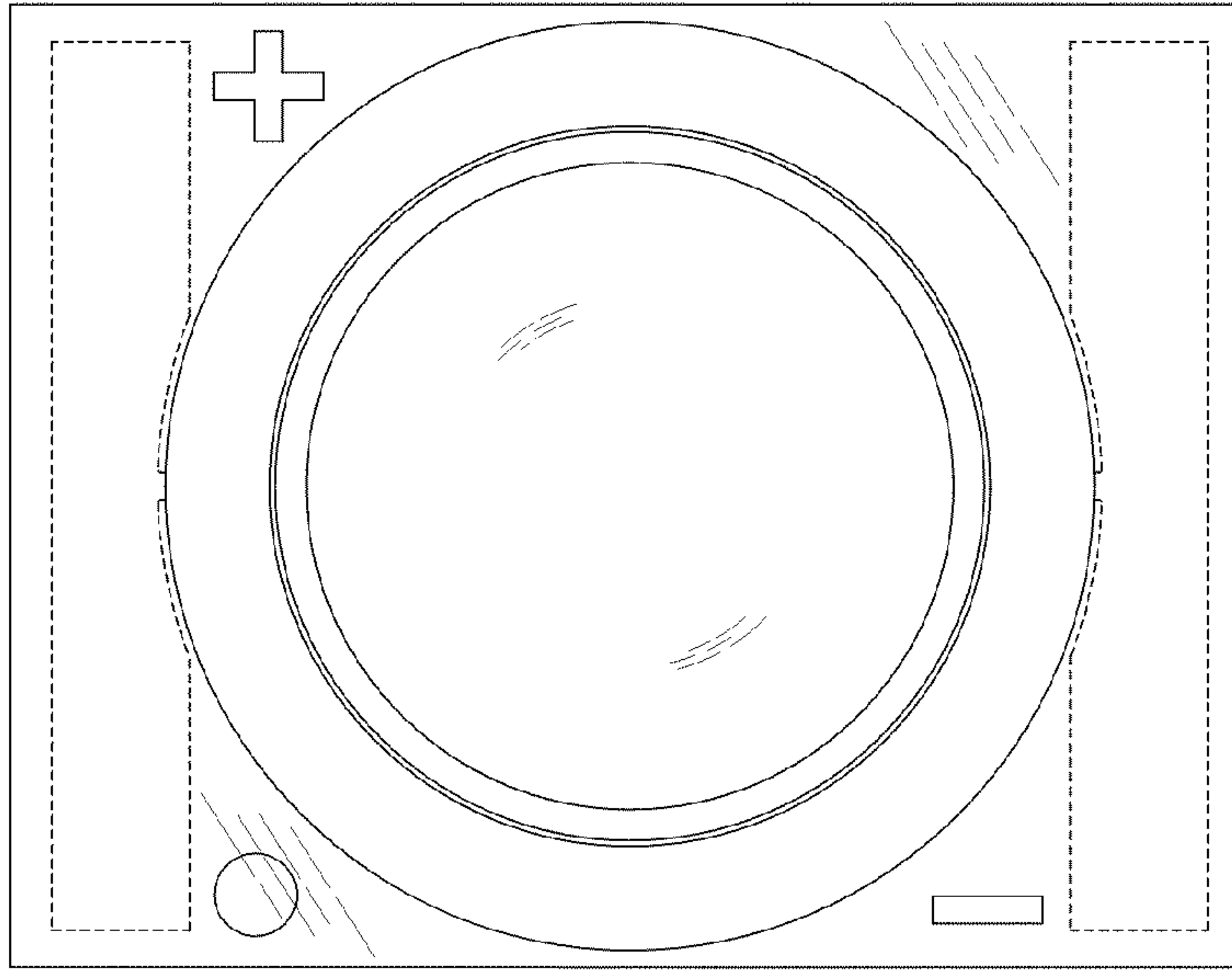


FIG. 3

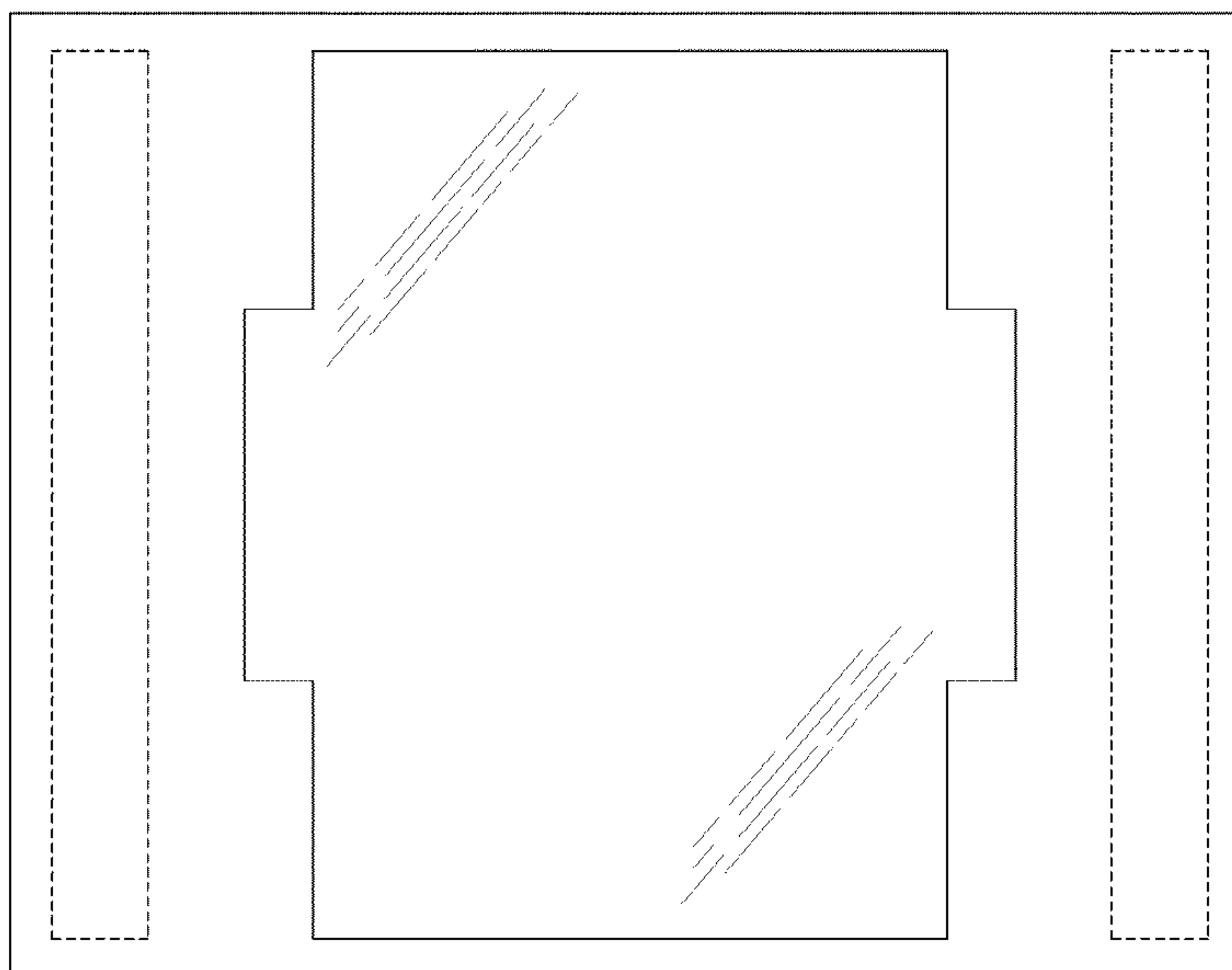


FIG. 4

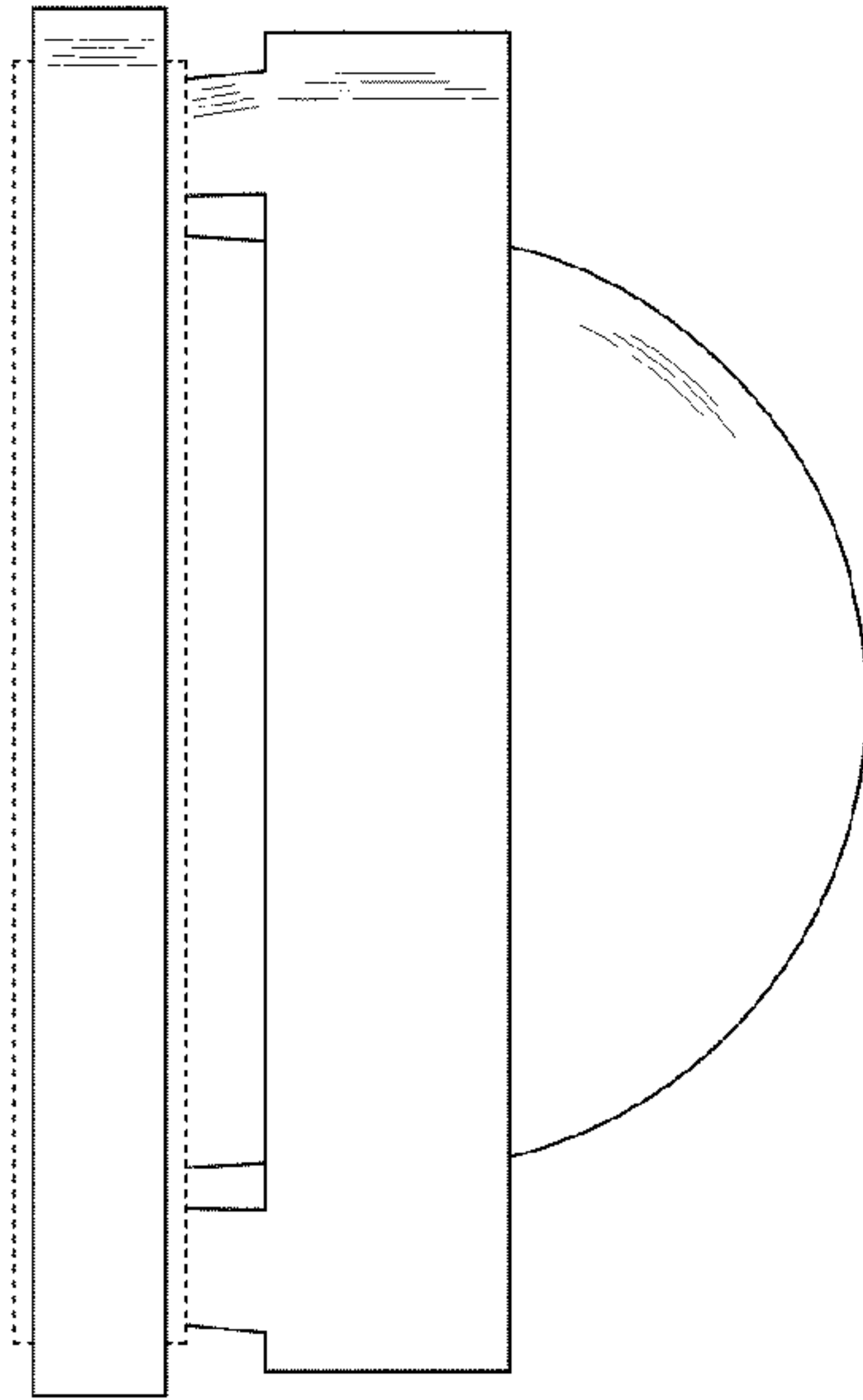


FIG. 5

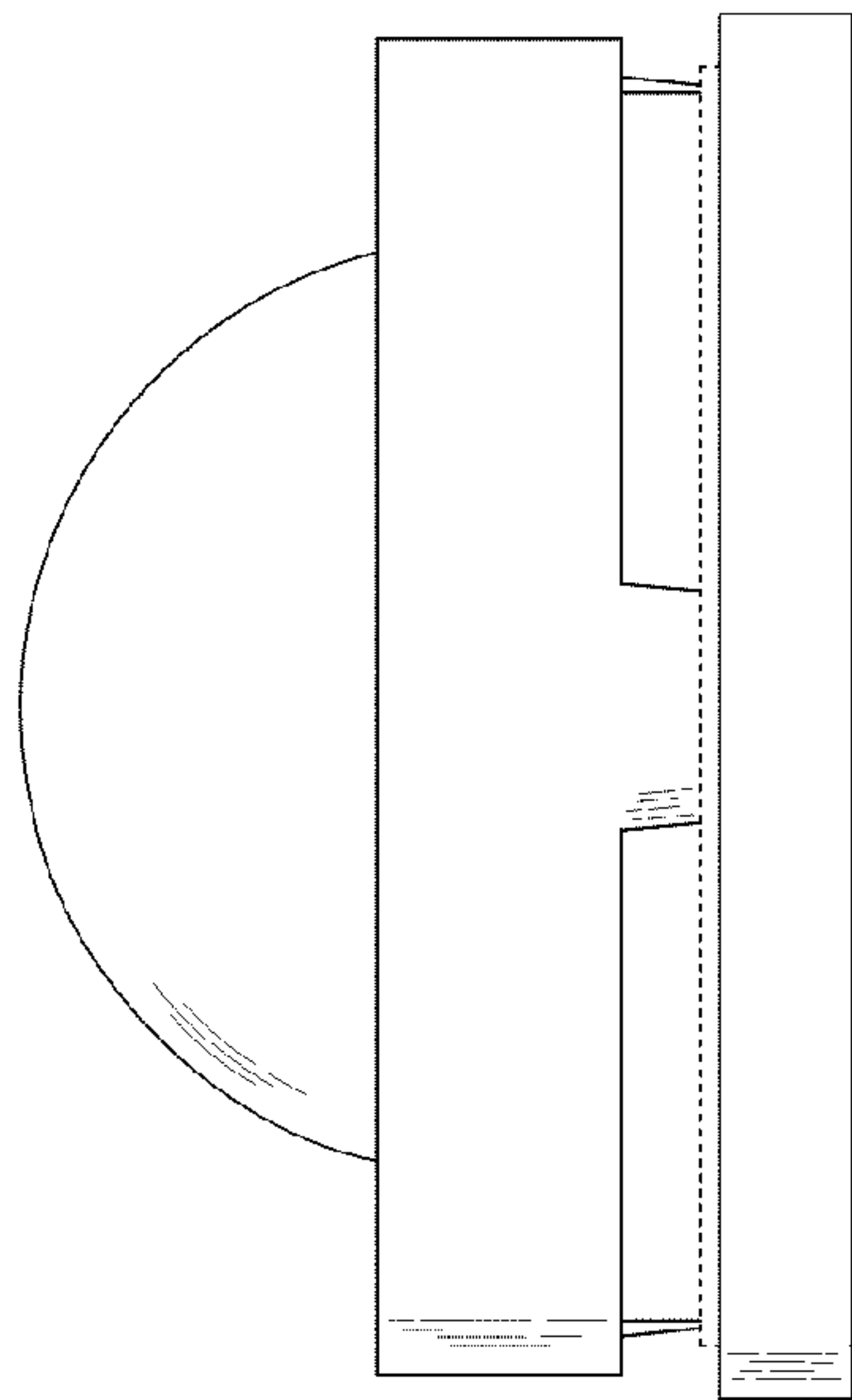


FIG. 6

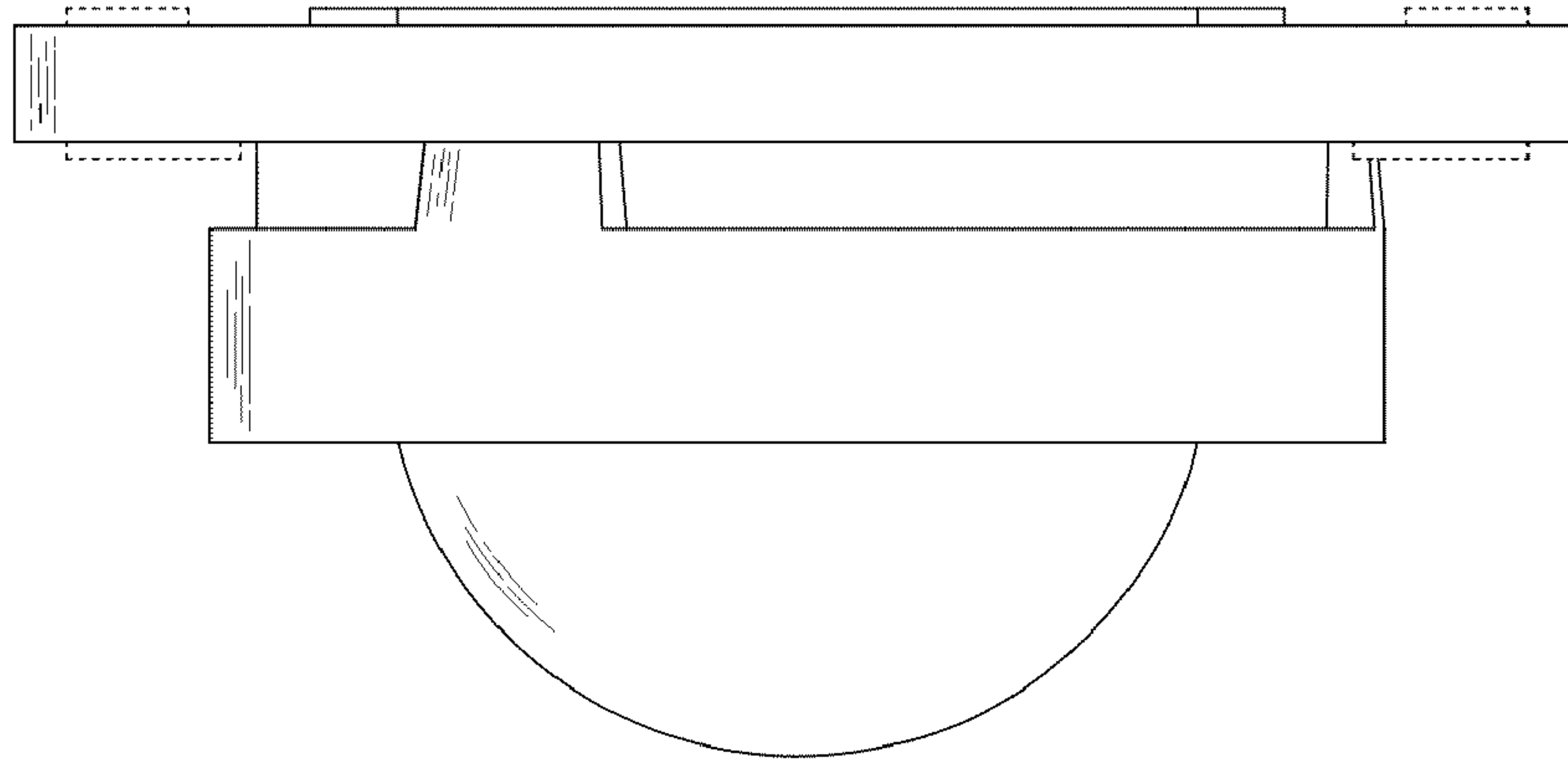


FIG. 7

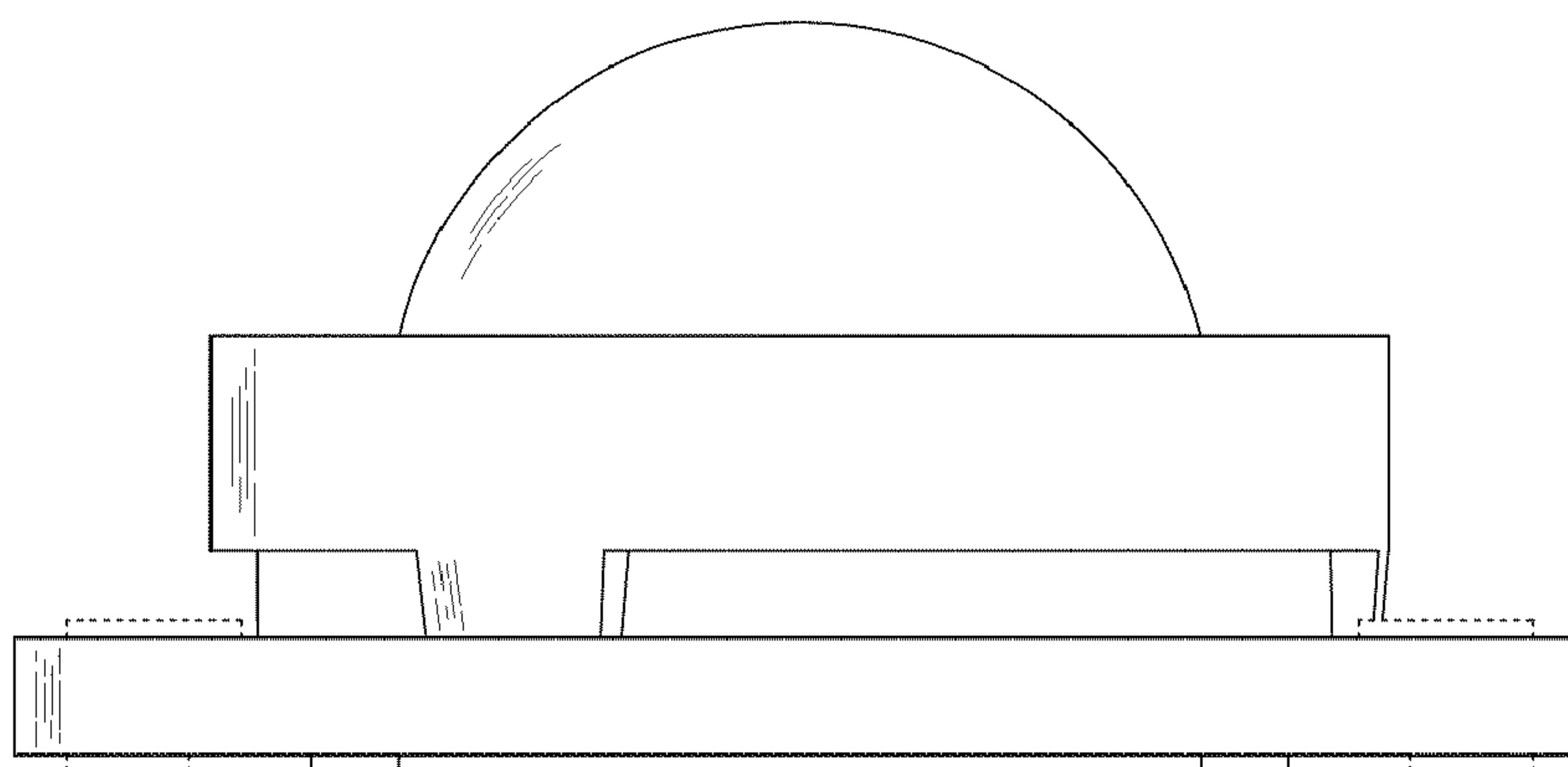


FIG. 8



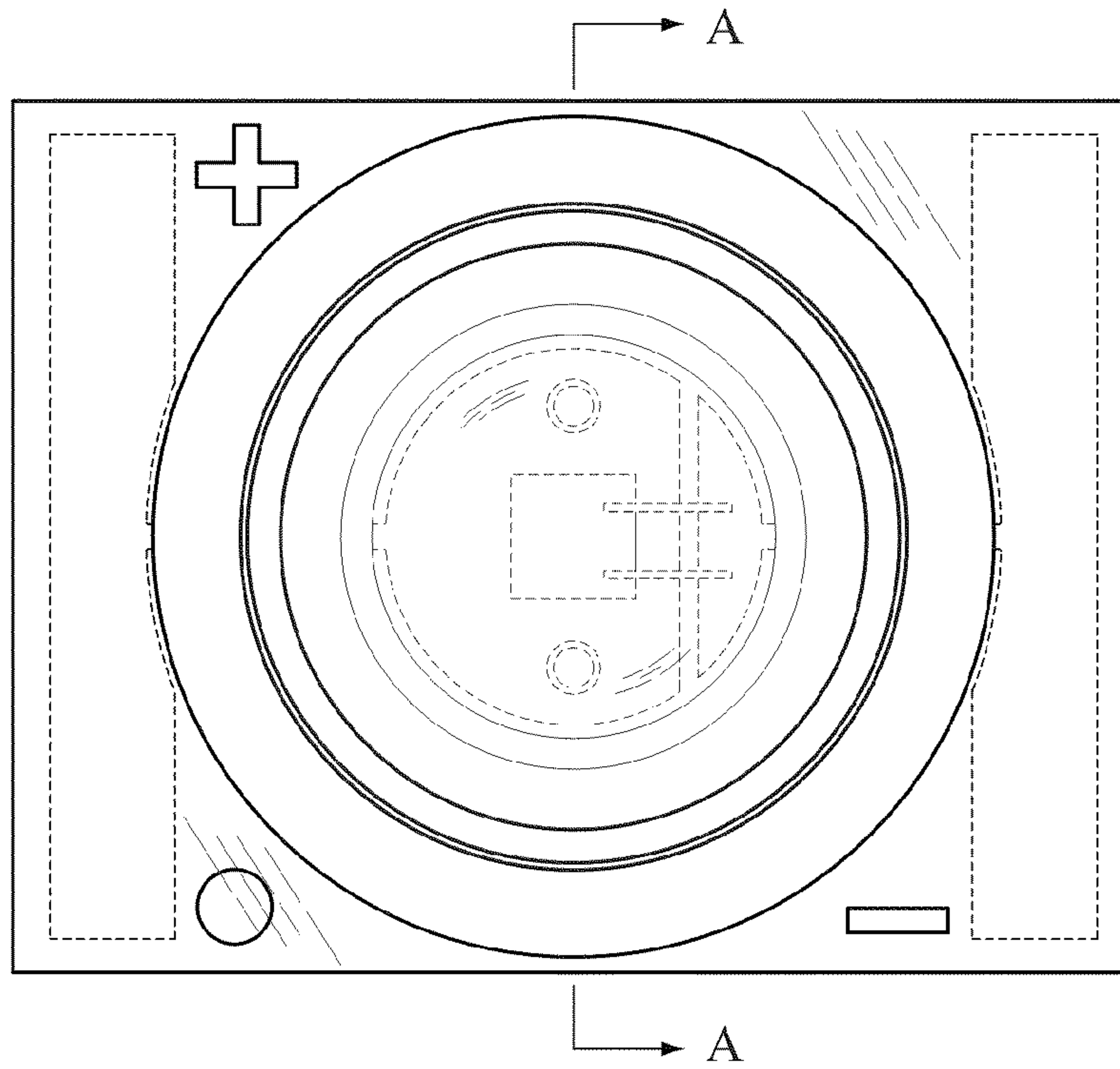


FIG. 9

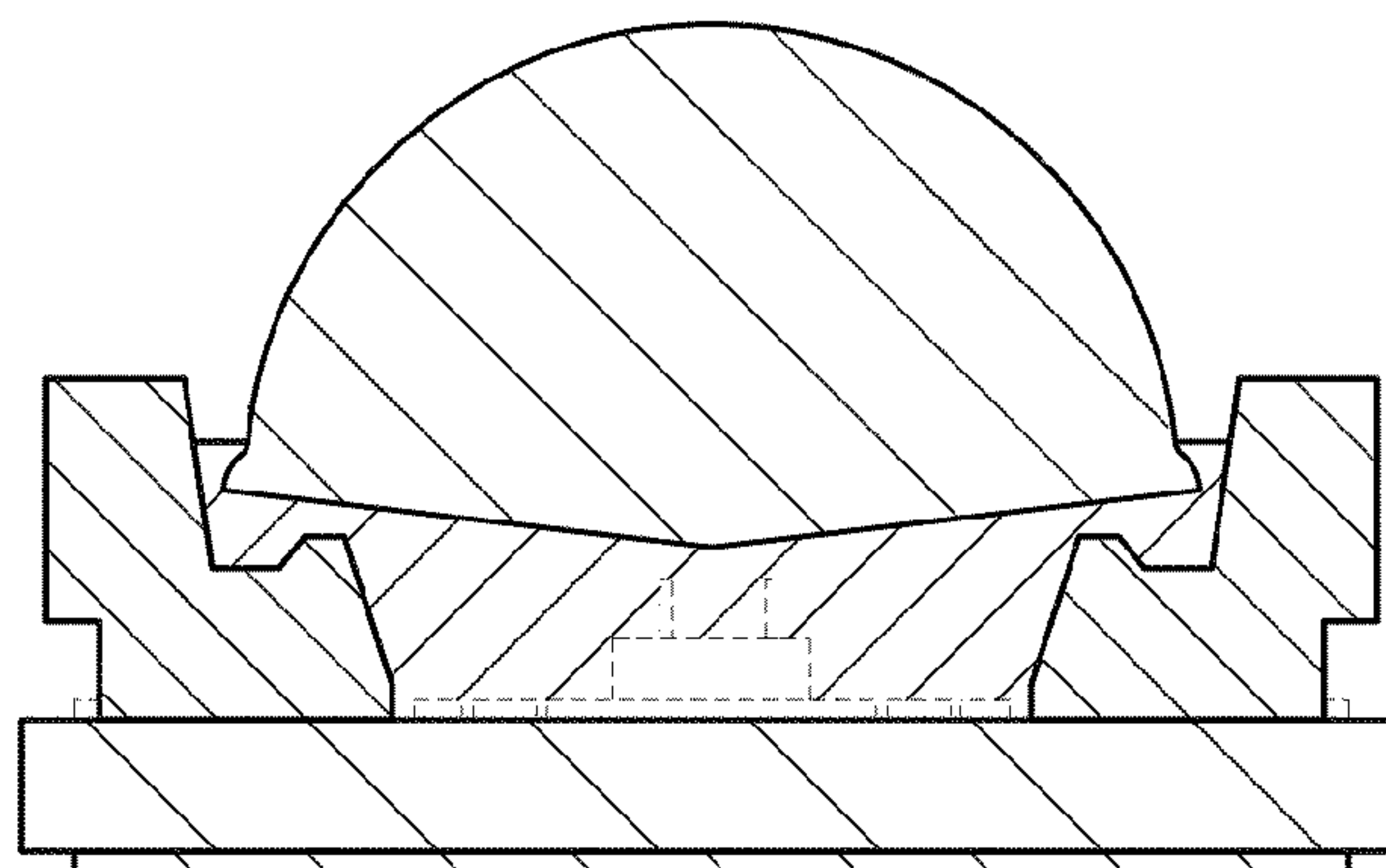


FIG. 10