



US00D649519S

(12) **United States Design Patent**
Pineda et al.

(10) **Patent No.:** **US D649,519 S**

(45) **Date of Patent:** **** Nov. 29, 2011**

(54) **INSULATED PLASTIC COVER KIT FOR MULTI-TAP PIERCING CONNECTOR**

(75) Inventors: **Alejandro Pineda**, Toluca (MX); **José L. Dimas**, Ozolotepec (MX); **Carlos E. Martinez**, Jocotitlán (MX)

(73) Assignee: **Hubbell Incorporated**, Shelton, CT (US)

(**) Term: **14 Years**

(21) Appl. No.: **29/347,742**

(22) Filed: **May 5, 2010**

(51) **LOC (9) Cl.** **13-03**

(52) **U.S. Cl.** **D13/149; D13/156**

(58) **Field of Classification Search** D13/133, D13/148, 149, 151, 154, 156, 184; 439/92, 439/142, 320, 535, 557; D8/330, 331, 382, D8/383, 394, 395; 248/49, 74.1, 62, 63; 174/65 R, 65 G, 68.1, 68.3, 69, 71 R, 72 C
See application file for complete search history.

D538,752 S * 3/2007 Kiely D13/152
7,189,921 B2 3/2007 Andresen et al.
D539,751 S * 4/2007 Kiely D13/152
D559,795 S * 1/2008 Valentin et al. D13/171
D568,259 S * 5/2008 Valentin et al. D13/171
7,417,190 B2 8/2008 Pini
D576,110 S * 9/2008 Phelps D13/156
D577,672 S * 9/2008 Yao et al. D13/133
D591,245 S * 4/2009 Iijima D13/156
D592,151 S 5/2009 Marks et al.
D601,098 S 9/2009 Phelps
D616,058 S * 5/2010 Kruger D22/112
D618,626 S * 6/2010 Kiely D13/149

FOREIGN PATENT DOCUMENTS

DE 4439701 5/1996

* cited by examiner

Primary Examiner — Thomas Johannes

(74) *Attorney, Agent, or Firm* — Marcus R. Mickney; Mark S. Bicks; Alfred N. Goodman

(57) **CLAIM**

The ornamental design for an insulated plastic cover kit for multi-tap piercing connector, as shown and described.

(56) **References Cited**

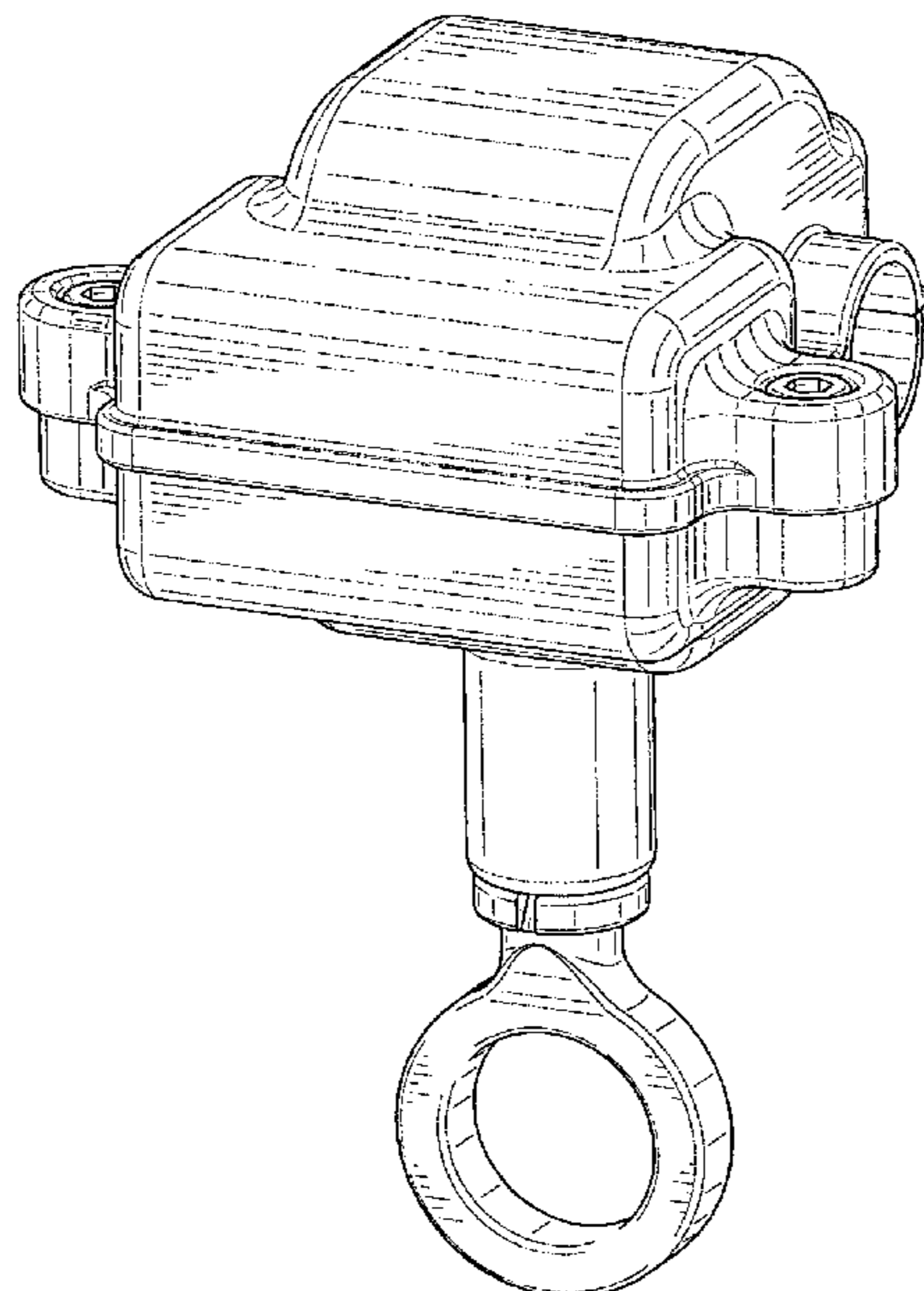
U.S. PATENT DOCUMENTS

3,132,914 A 5/1964 Wengen
3,372,361 A 3/1968 Wengen
3,923,363 A 12/1975 Kraft
3,982,319 A 9/1976 Bice
D244,612 S * 6/1977 Burns D13/156
D321,410 S * 11/1991 Layne D26/138
D329,224 S * 9/1992 Dinkel D13/149
D405,423 S * 2/1999 Nakamura D13/156
6,046,665 A 4/2000 Oh et al.
6,443,756 B1 9/2002 Hagmann et al.
6,645,004 B2 11/2003 Mudge
D530,676 S * 10/2006 Schemm et al. D13/149

DESCRIPTION

FIG. 1 is a front perspective view of an insulated plastic cover kit for multi-tap piercing connector showing our new invention;
FIG. 2 is a front elevational view thereof;
FIG. 3 is a rear elevational view thereof;
FIG. 4 is a right side elevational view thereof;
FIG. 5 is a left side elevational view thereof;
FIG. 6 is a top plan view thereof; and,
FIG. 7 is a bottom plan view thereof.

1 Claim, 4 Drawing Sheets



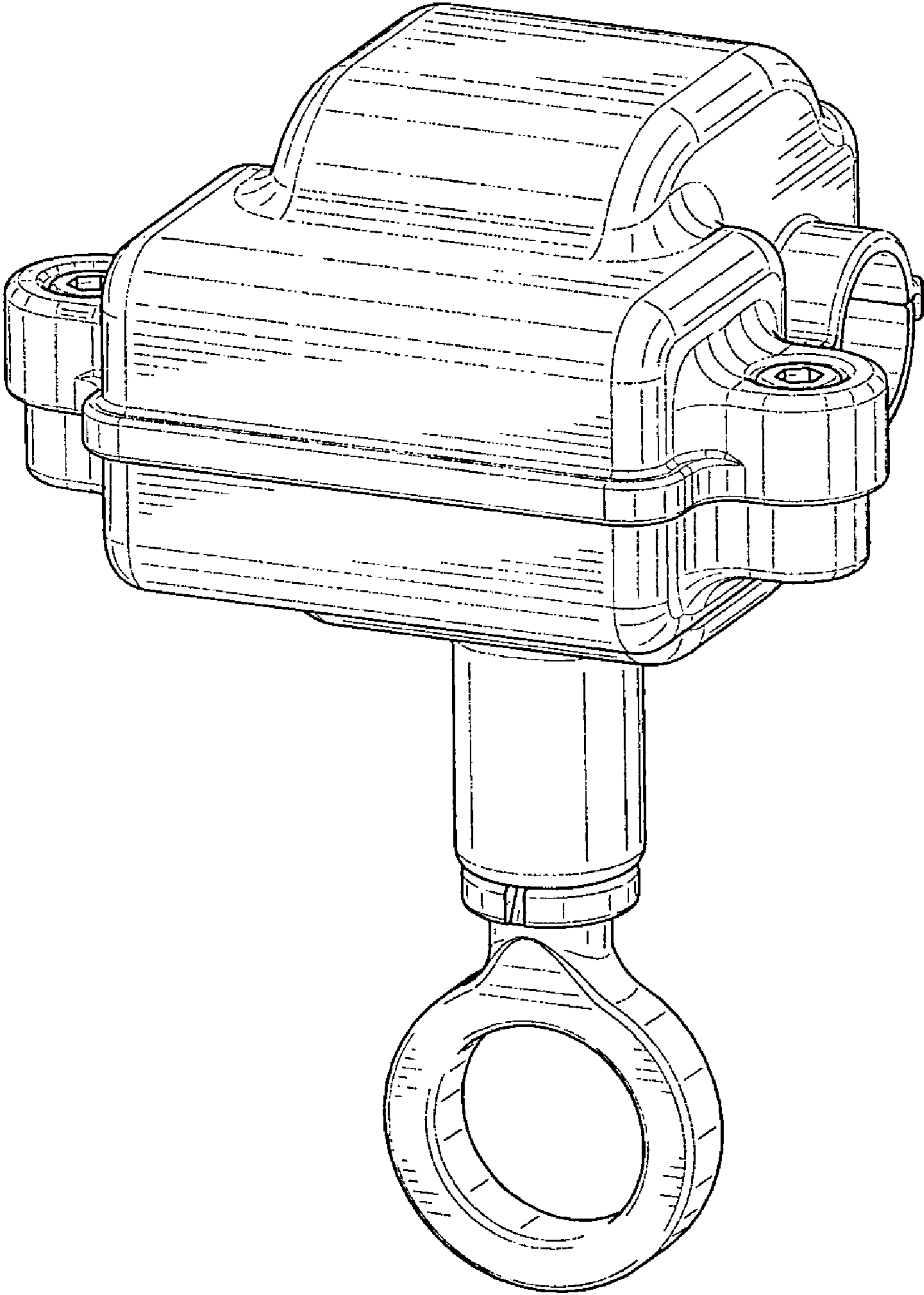


FIG. 1

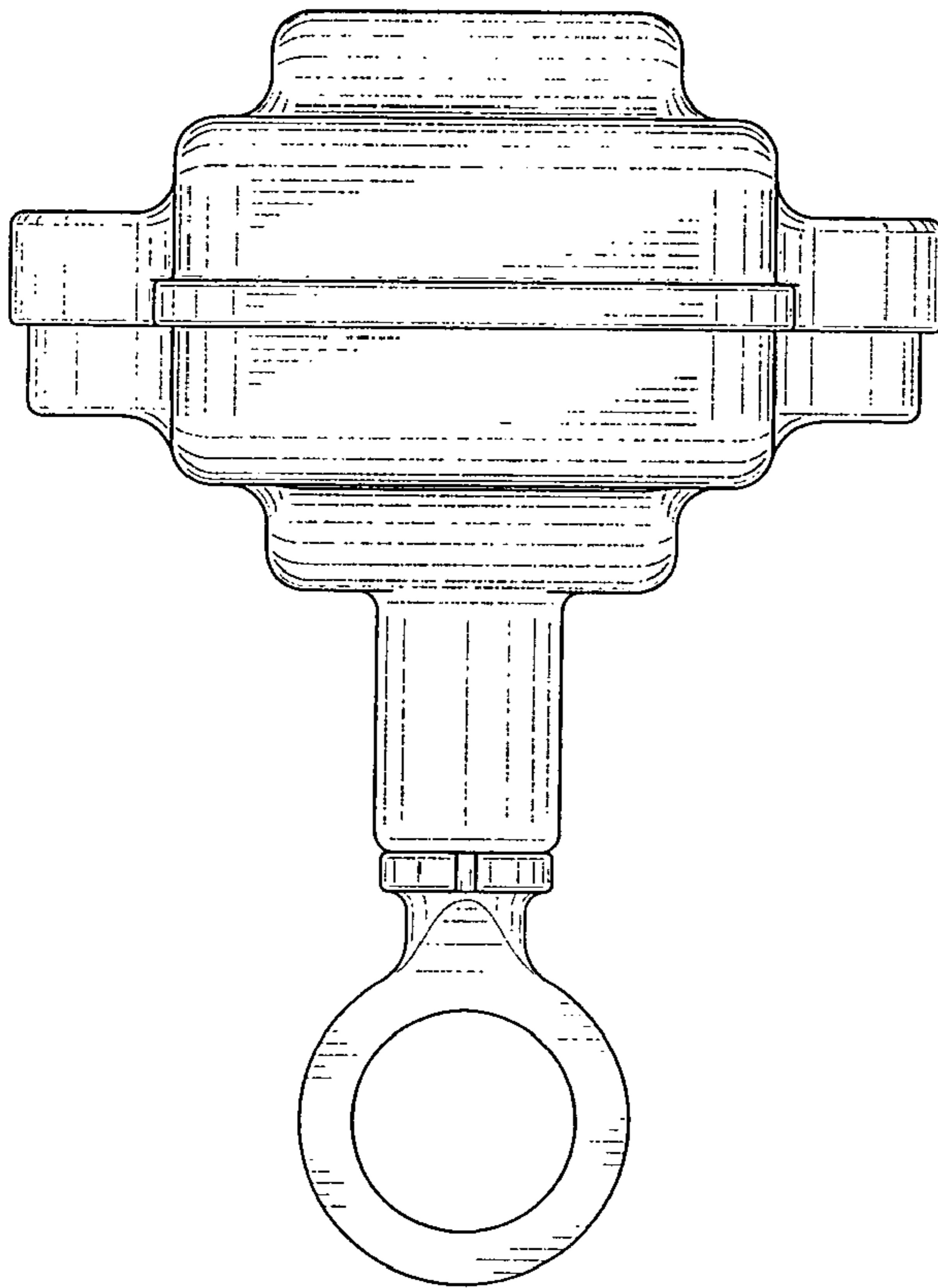


FIG. 2

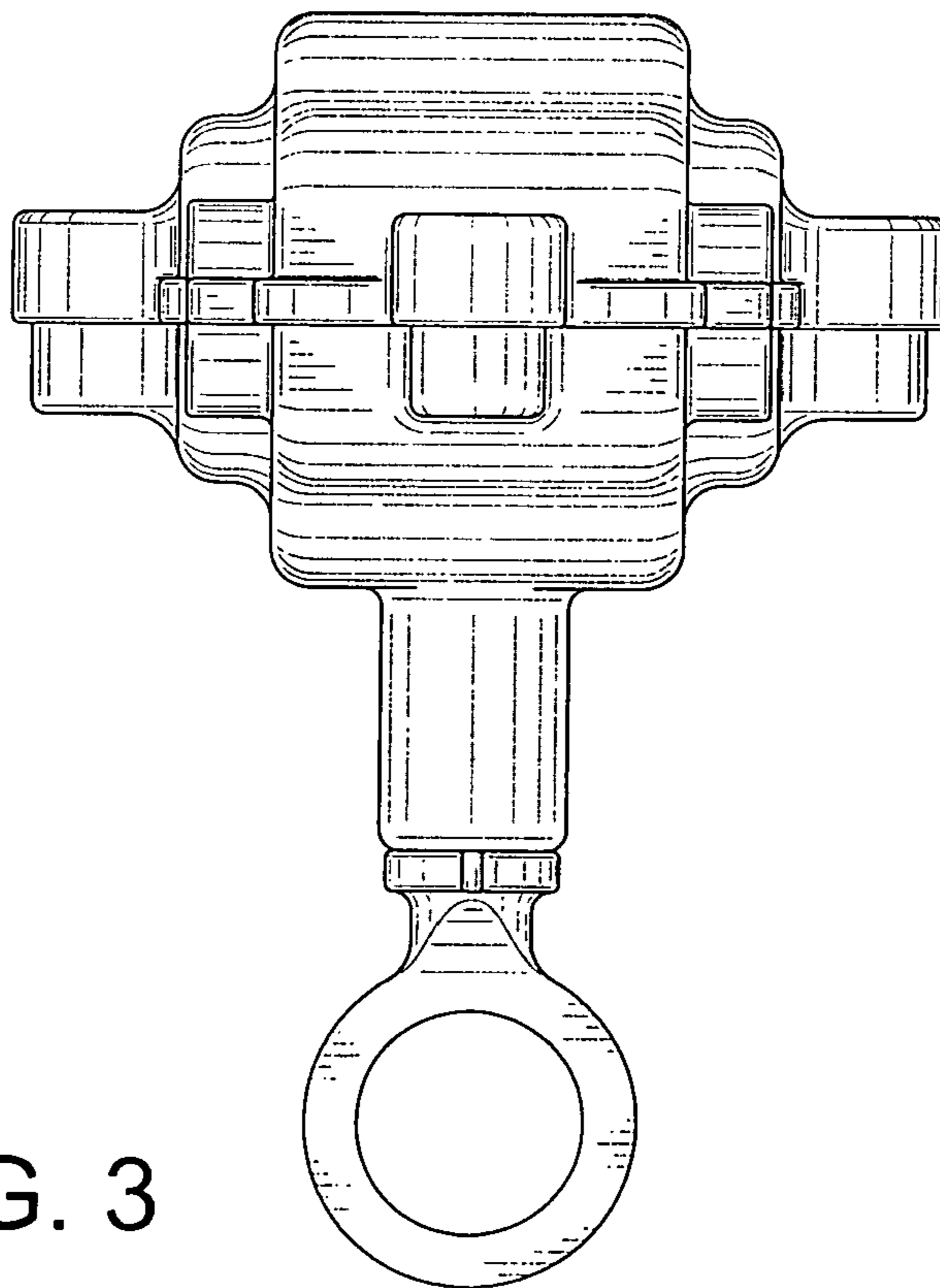


FIG. 3

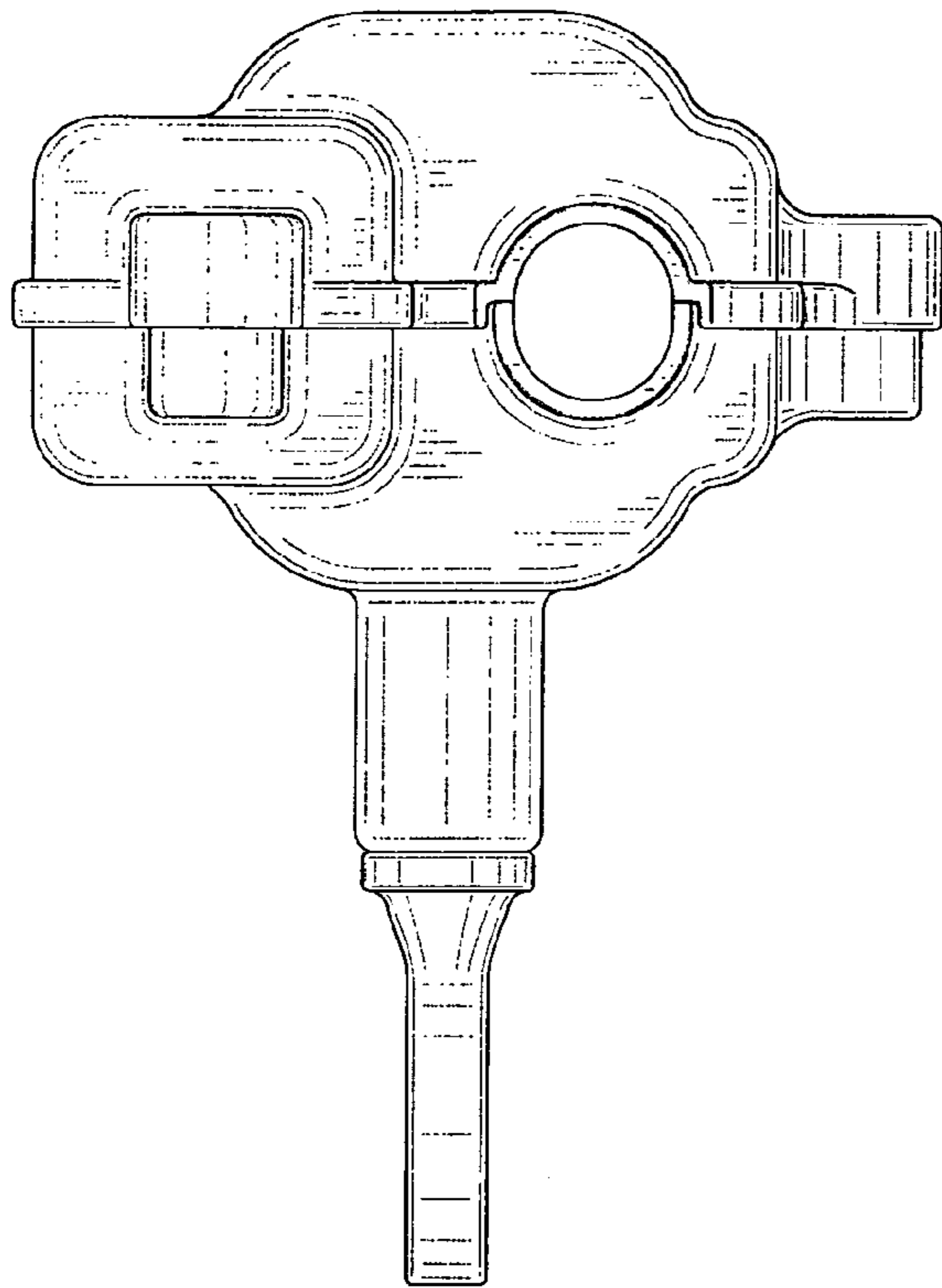


FIG. 4

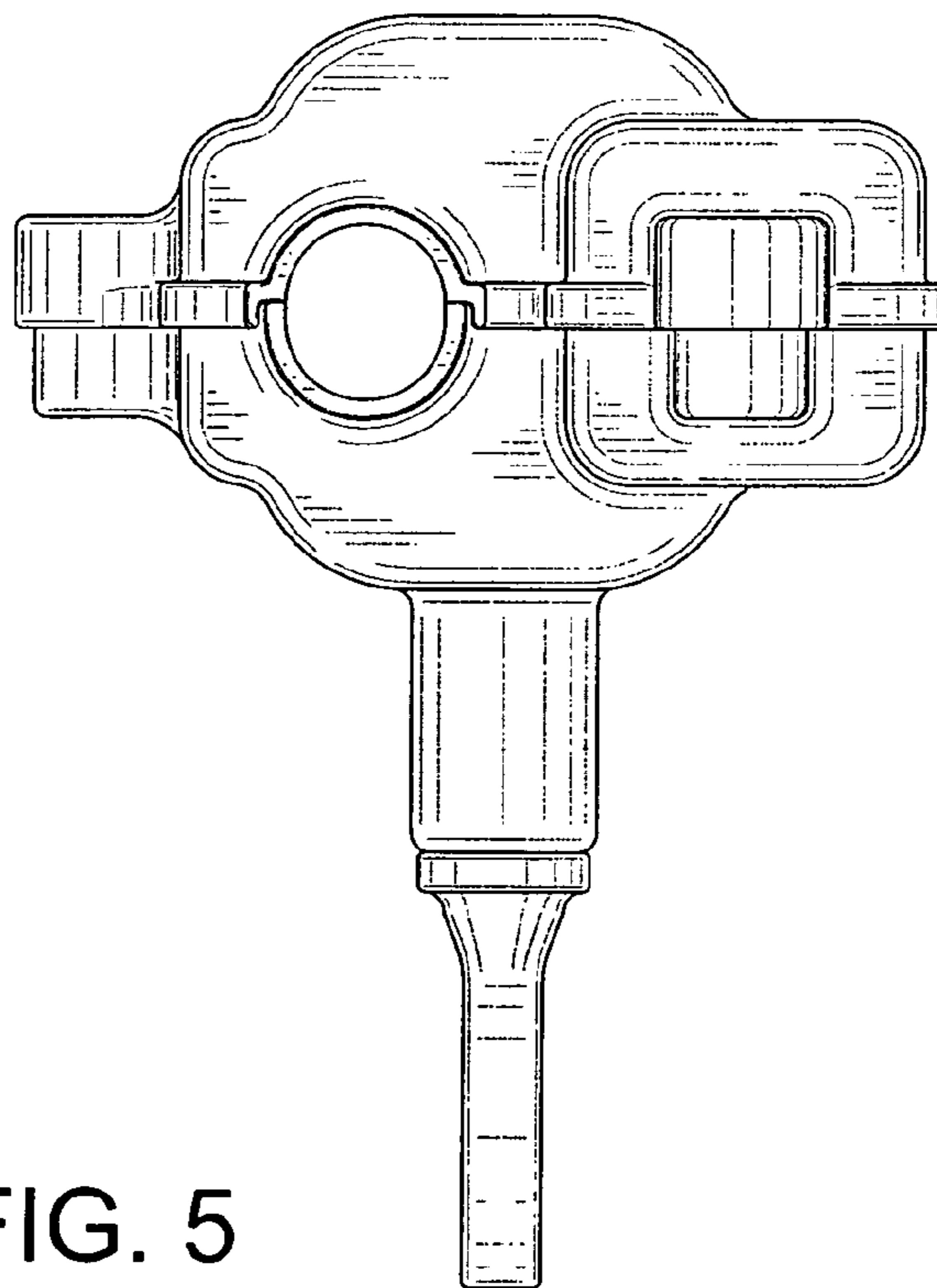


FIG. 5

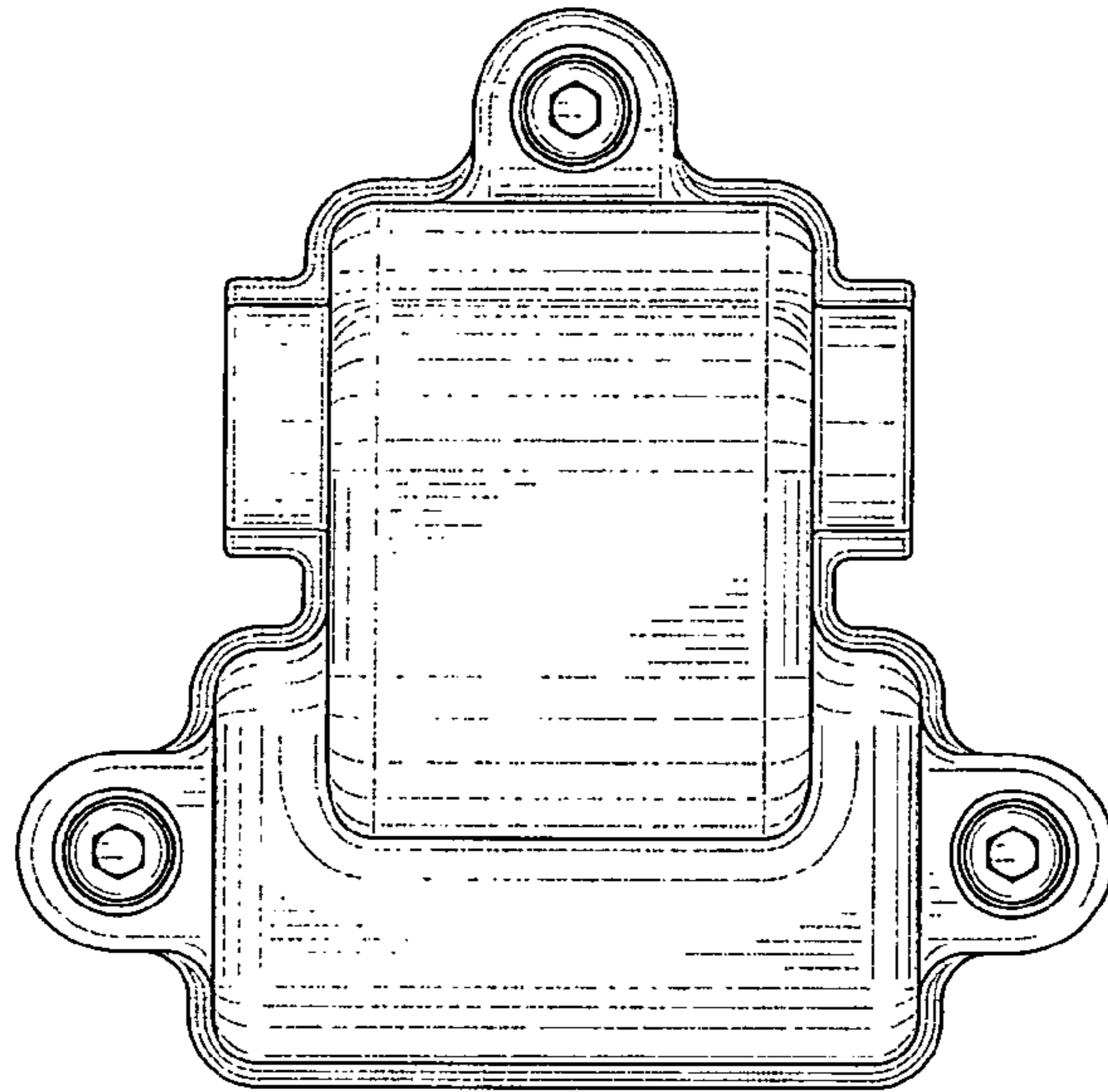


FIG. 6

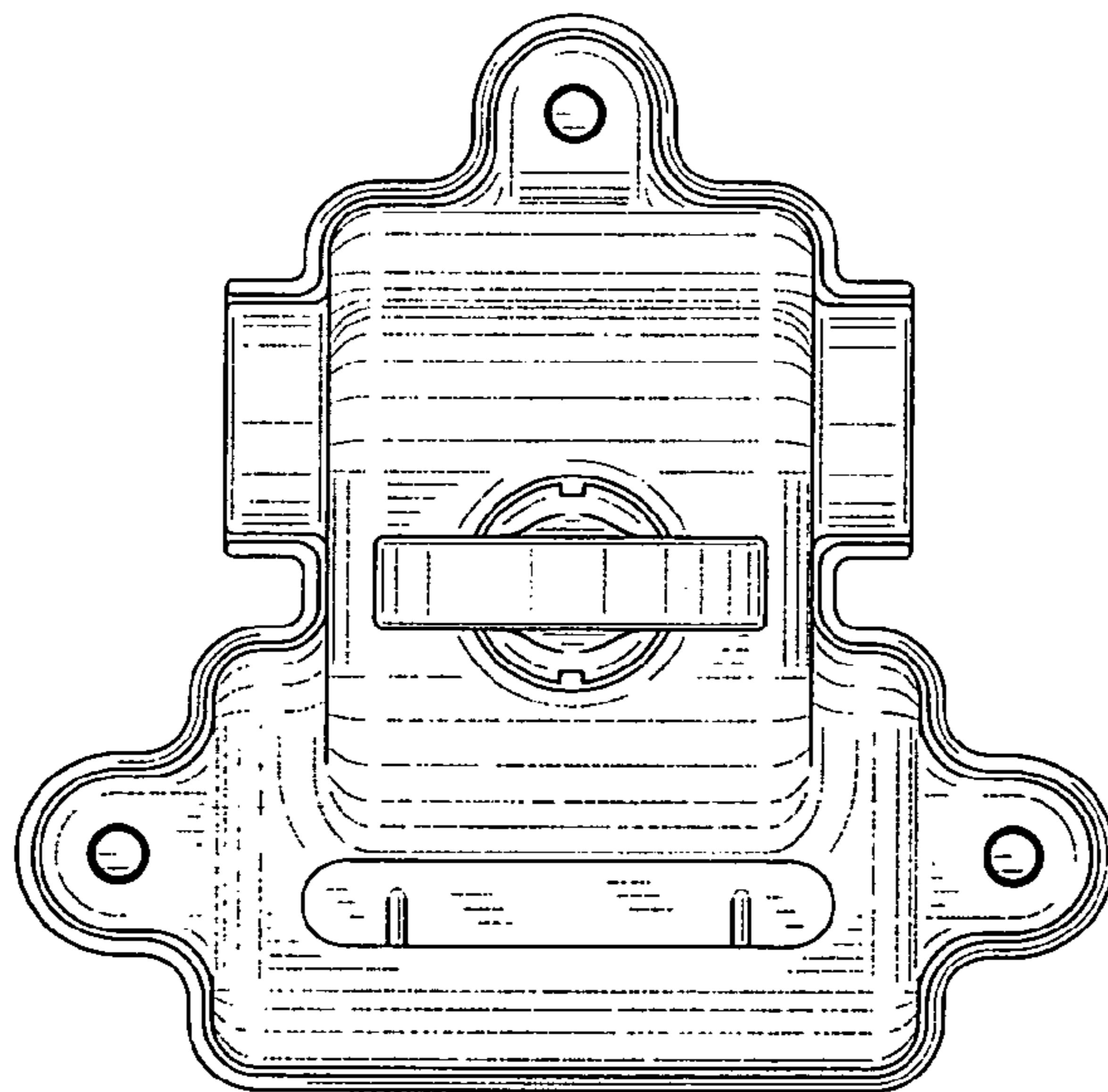


FIG. 7