

US00D649518S

(12) **United States Design Patent**
Zhu

(10) **Patent No.:** **US D649,518 S**

(45) **Date of Patent:** **** Nov. 29, 2011**

(54) **ELECTRICAL CONNECTOR**

(75) Inventor: **Yu Zhu**, Shenzhen (CN)

(73) Assignee: **Hon Hai Precision Ind. Co., Ltd.**, New Taipei (TW)

(**) Term: **14 Years**

(21) Appl. No.: **29/393,074**

(22) Filed: **May 31, 2011**

(30) **Foreign Application Priority Data**

Nov. 30, 2010 (CN) 2010 3 0645758

(51) **LOC (9) Cl.** **13-03**

(52) **U.S. Cl.** **D13/147**

(58) **Field of Classification Search** D13/120,
D13/146, 147, 154, 184, 199; 439/79, 159-160,
439/330-331, 341-342, 629-630, 636, 660,
439/773, 860, 946

See application file for complete search history.

(56) **References Cited**

U.S. PATENT DOCUMENTS

D485,807 S *	1/2004	Kao et al.	D13/133
D561,695 S *	2/2008	Hung et al.	D13/146
D586,294 S *	2/2009	Lung	D13/133
D619,538 S *	7/2010	Peng	D13/147

* cited by examiner

Primary Examiner — Daniel Bui

(74) *Attorney, Agent, or Firm* — Wei Te Chung; Andrew C. Cheng; Ming Chieh Chang

(57) **CLAIM**

The ornamental design for an electrical connector, as shown.

DESCRIPTION

FIG. 1 is a front, top and right side perspective view of an electrical connector showing an embodiment of our new design;

FIG. 2 is a front elevational view thereof;

FIG. 3 is a rear elevational view thereof;

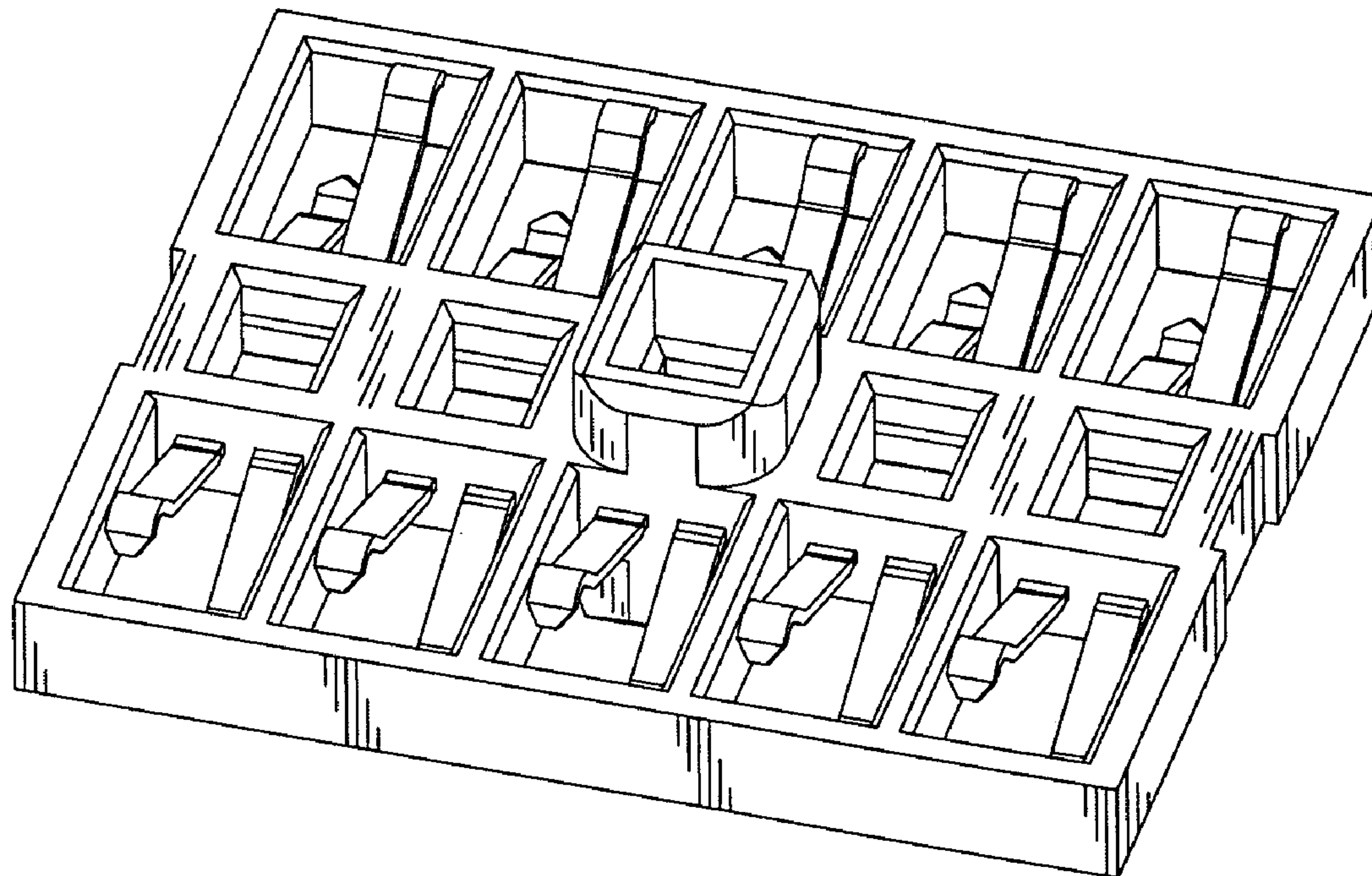
FIG. 4 is a left side elevational view thereof;

FIG. 5 is a right side elevational view thereof;

FIG. 6 is a top plan view thereof; and,

FIG. 7 is a bottom plan view thereof.

1 Claim, 7 Drawing Sheets



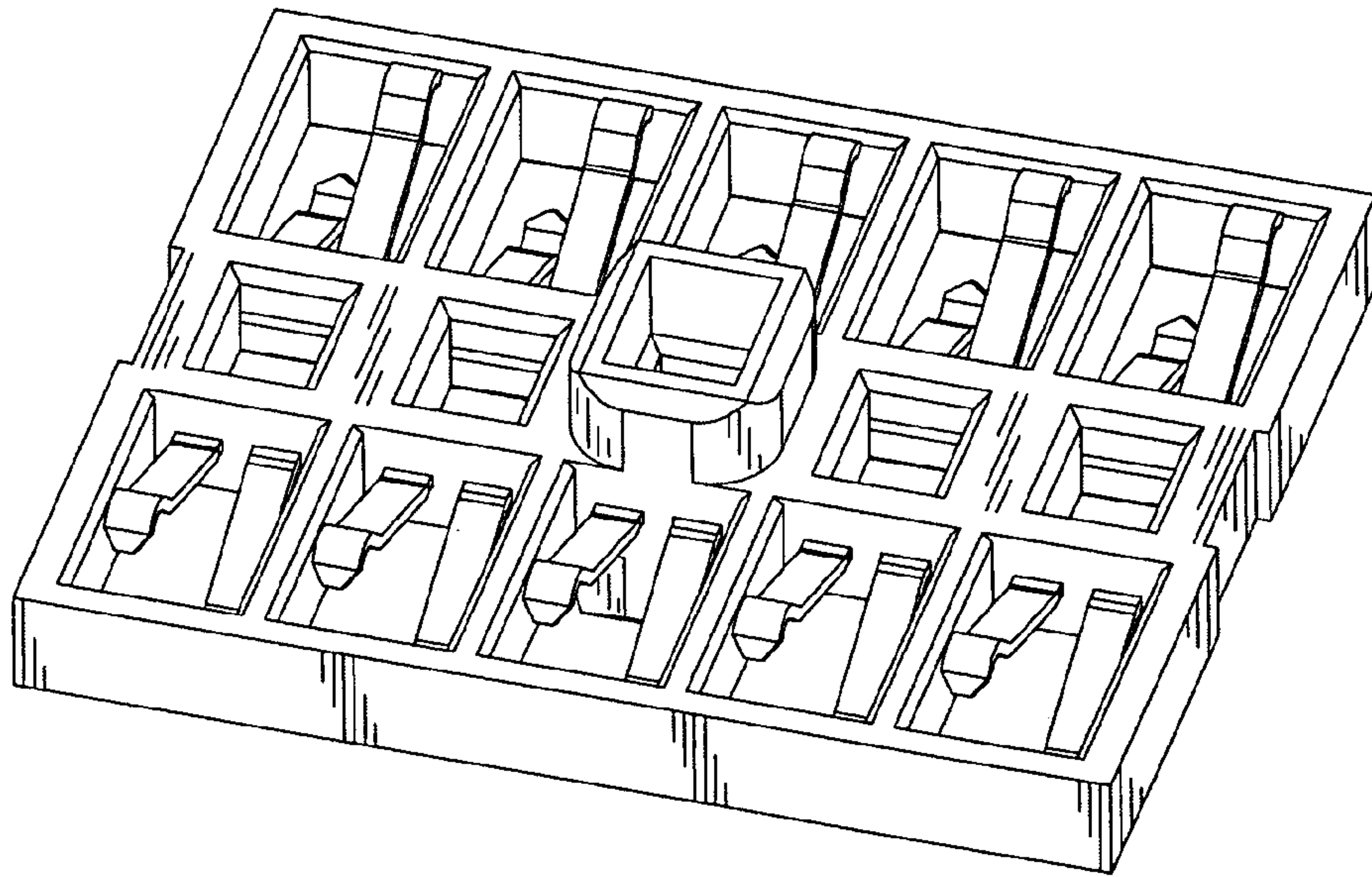


FIG. 1

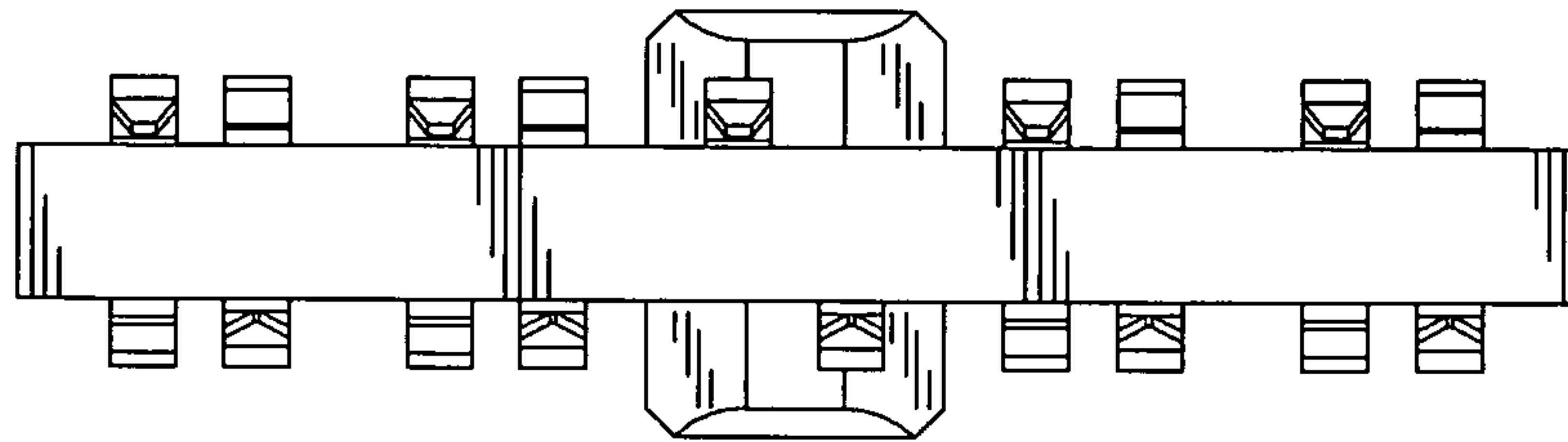


FIG. 2

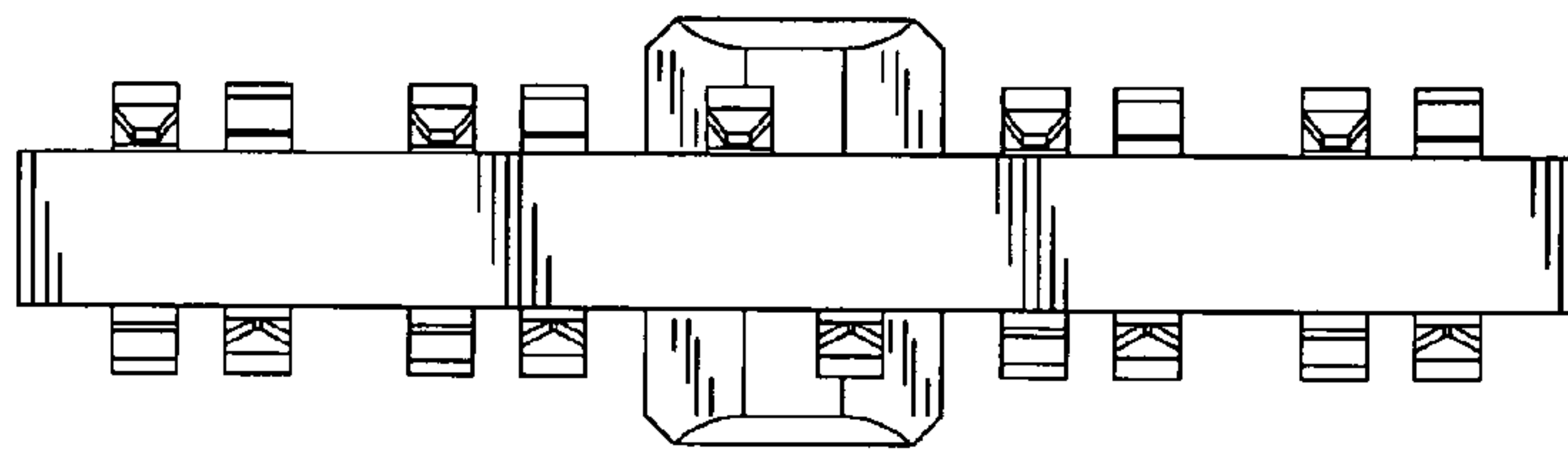


FIG. 3

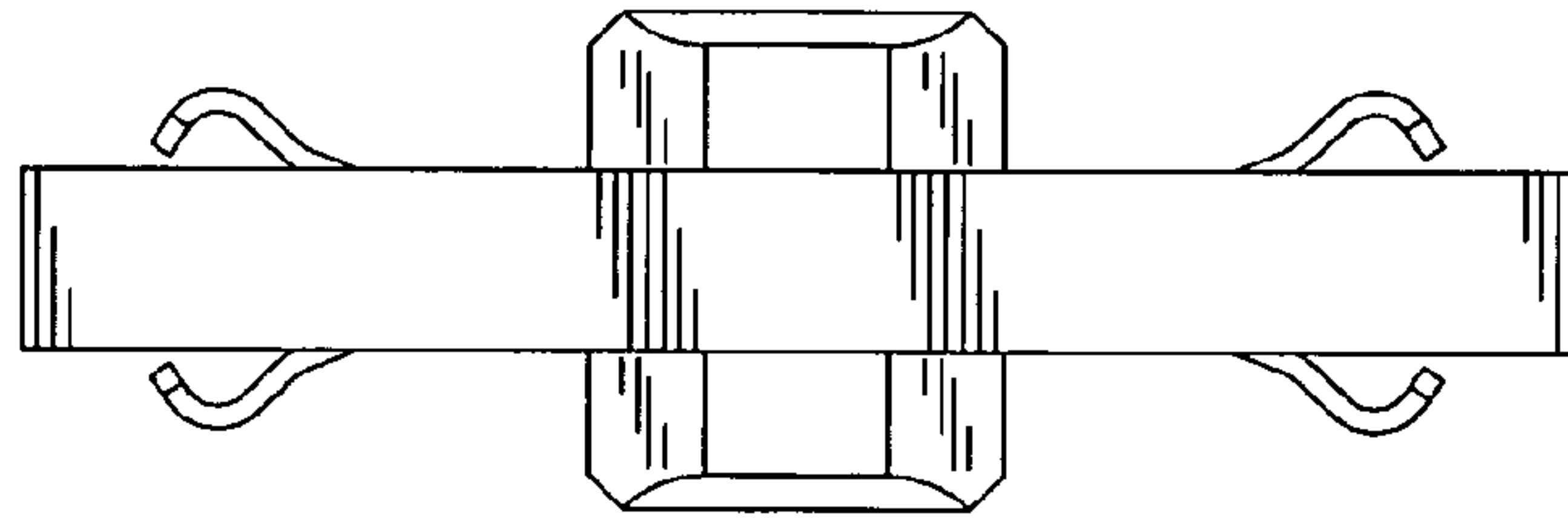


FIG. 4

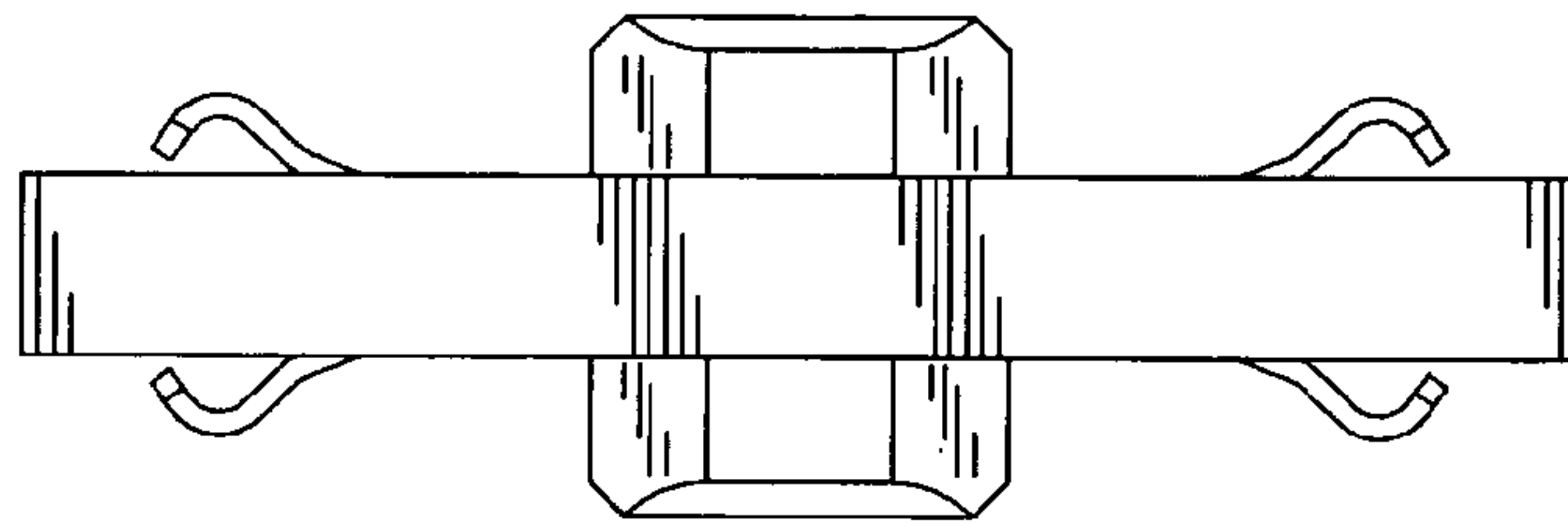


FIG. 5

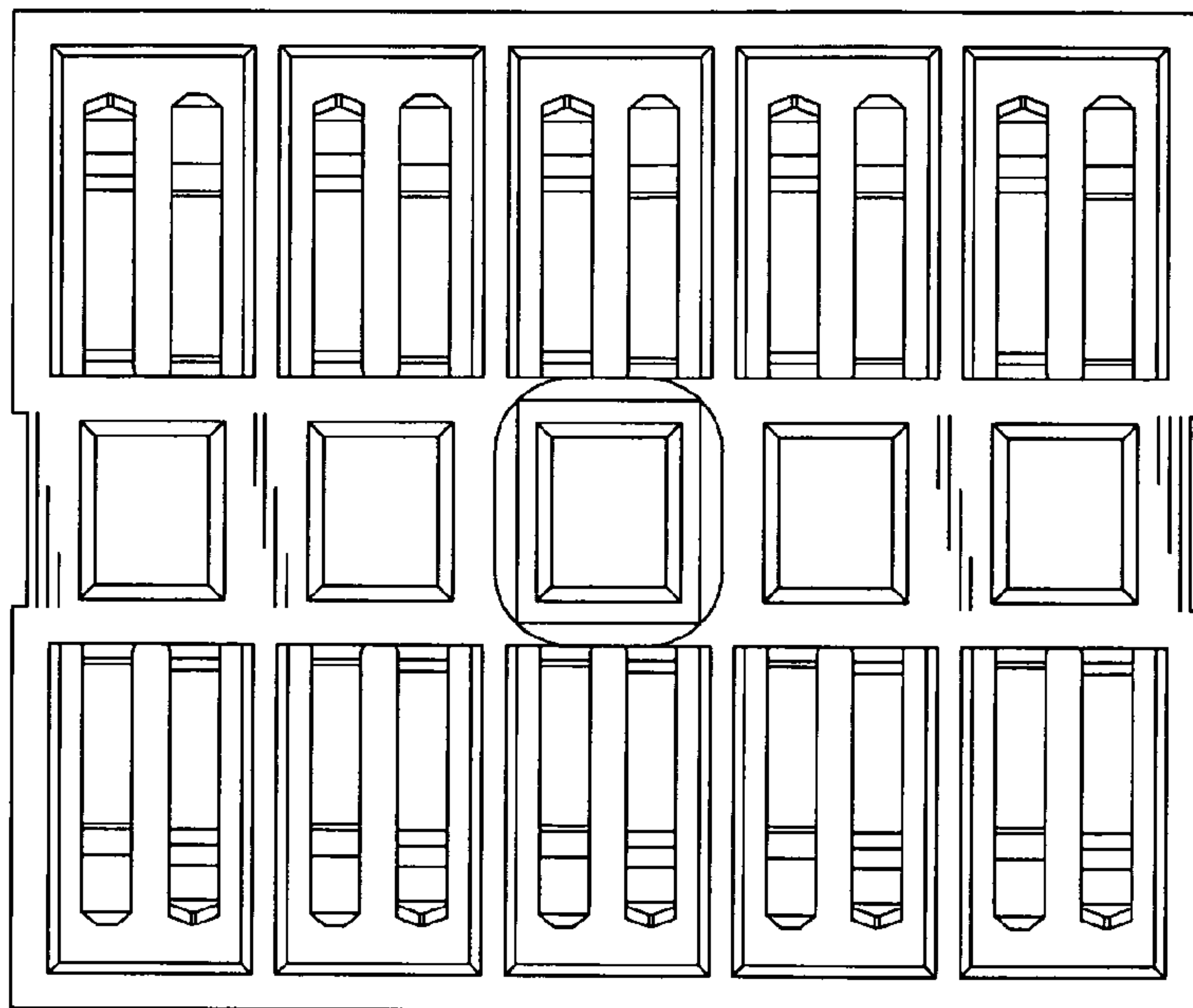


FIG. 6

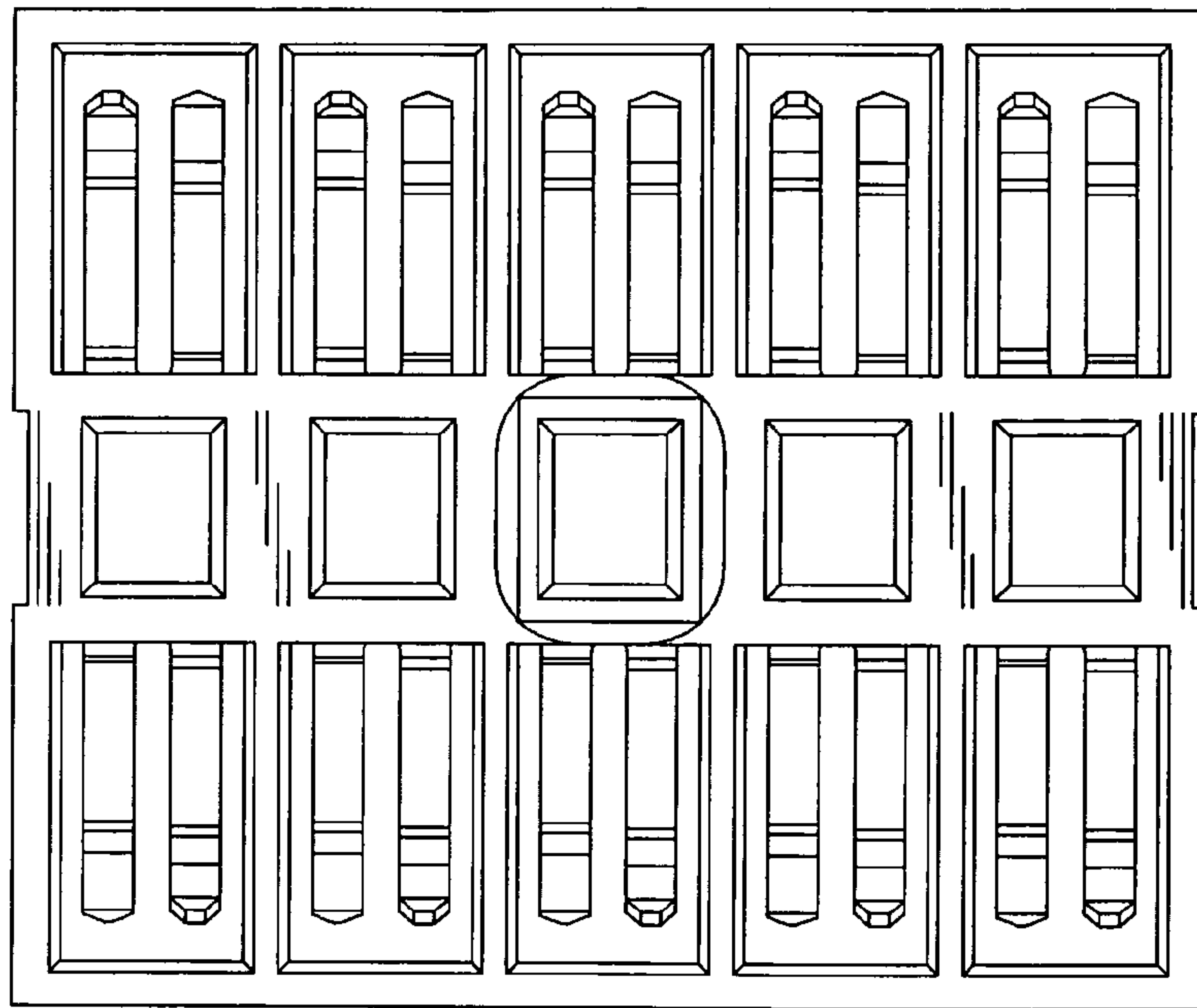


FIG. 7