



US00D649517S

(12) **United States Design Patent**
de Bruijn et al.

(10) **Patent No.:** **US D649,517 S**

(45) **Date of Patent:** **** Nov. 29, 2011**

(54) **ELECTRICAL CONNECTOR**

(75) Inventors: **Jeroen de Bruijn**, Loon Op Zand (NL);
Thierry Goossens, Herdersem-Aalst
(BE); **Johannes Maria Blasius van**
Woensel, Rosmalen (NL)

(73) Assignee: **FCI**, Guyancourt (FR)

(**) Term: **14 Years**

(21) Appl. No.: **29/369,327**

(22) Filed: **Sep. 7, 2010**

(51) **LOC (9) Cl.** **13-03**

(52) **U.S. Cl.** **D13/147**

(58) **Field of Classification Search** D13/120,
D13/146, 147, 154, 184, 199; 439/83, 108,
439/166, 500, 577, 630, 660, 680, 700, 773.1,
439/862

See application file for complete search history.

(56) **References Cited**

U.S. PATENT DOCUMENTS

3,612,747	A *	10/1971	Shlesinger, Jr.	174/84 C
5,567,545	A	10/1996	Murakami	
5,631,098	A	5/1997	Suzuki	
D408,353	S	4/1999	Yoshiura	
D409,143	S	5/1999	Yoshiura	
D410,226	S	5/1999	Yoshiura	
6,129,168	A	10/2000	Lotito et al.	
D481,996	S	11/2003	Kihira et al.	
D485,807	S *	1/2004	Kao et al.	D13/133
6,835,089	B2	12/2004	Hayes et al.	
6,932,382	B2	8/2005	Hayes et al.	
D555,093	S	11/2007	Chien et al.	
D555,095	S	11/2007	Ho	
D555,131	S	11/2007	Kim et al.	
D568,246	S	5/2008	Wu et al.	
D569,343	S	5/2008	Hung et al.	
D569,801	S	5/2008	Chuang	
D569,802	S	5/2008	Long et al.	

D582,348	S	12/2008	Shiu	
D584,231	S *	1/2009	Wu	D13/147
D586,294	S *	2/2009	Lung	D13/133
D601,970	S	10/2009	Peng et al.	
D601,971	S	10/2009	Chen et al.	
D603,795	S	11/2009	Kono	
D605,137	S	12/2009	Yu et al.	
D607,834	S	1/2010	Huang	
D607,835	S	1/2010	Huang	
D608,295	S	1/2010	Huang	
7,662,507	B2	2/2010	Schwendinger et al.	
D614,493	S	4/2010	Creed et al.	
D614,507	S	4/2010	Lukan et al.	
D614,583	S	4/2010	Wang	
D615,493	S	5/2010	Kalis	
D619,538	S *	7/2010	Peng	D13/147
2004/0038121	A1	2/2004	Song et al.	
2007/0243458	A1	10/2007	Roehm et al.	
2008/0193837	A1	8/2008	Lu	

* cited by examiner

Primary Examiner — Daniel Bui

(74) *Attorney, Agent, or Firm* — Woodcock Washburn LLP

(57) **CLAIM**

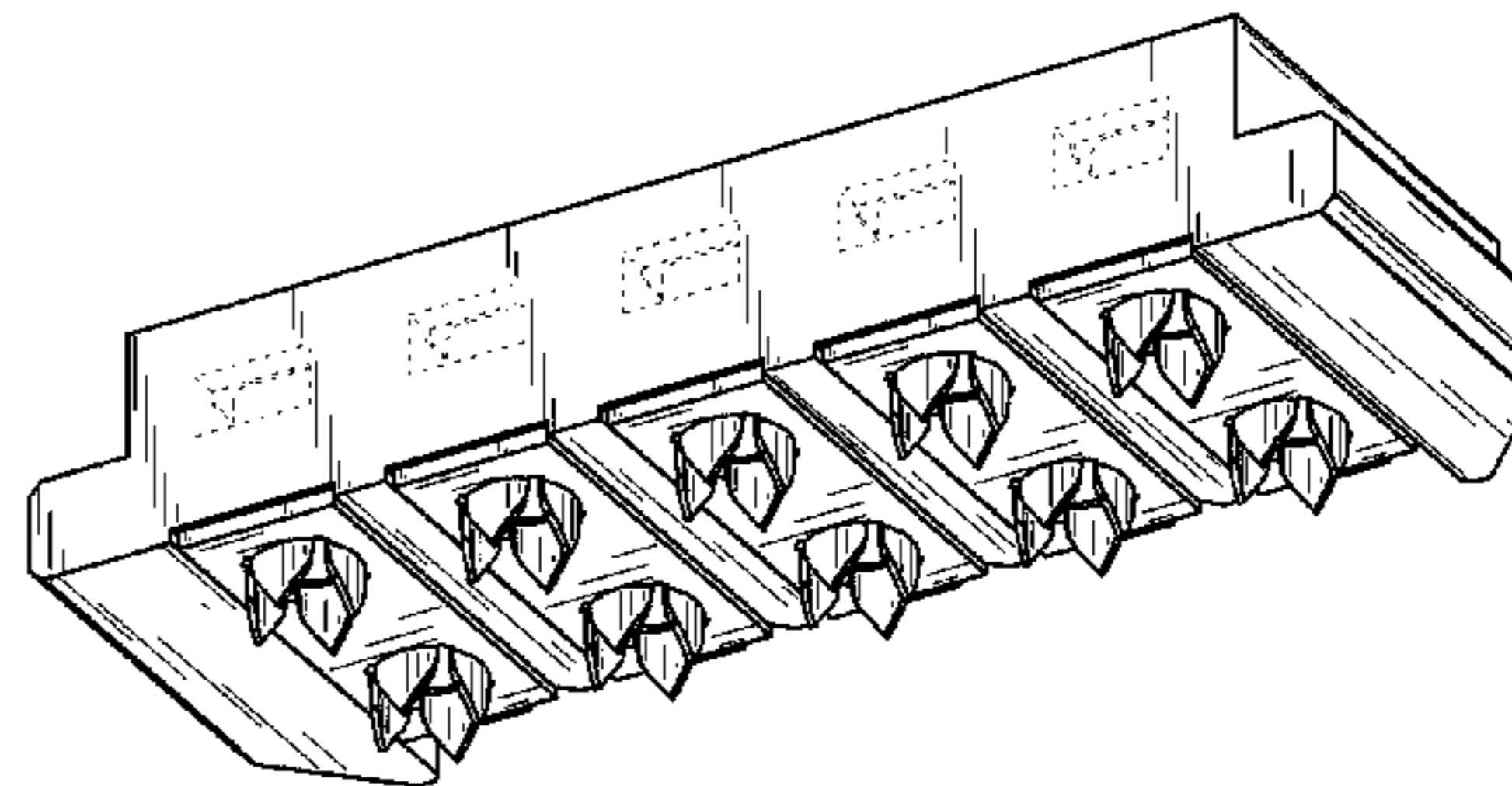
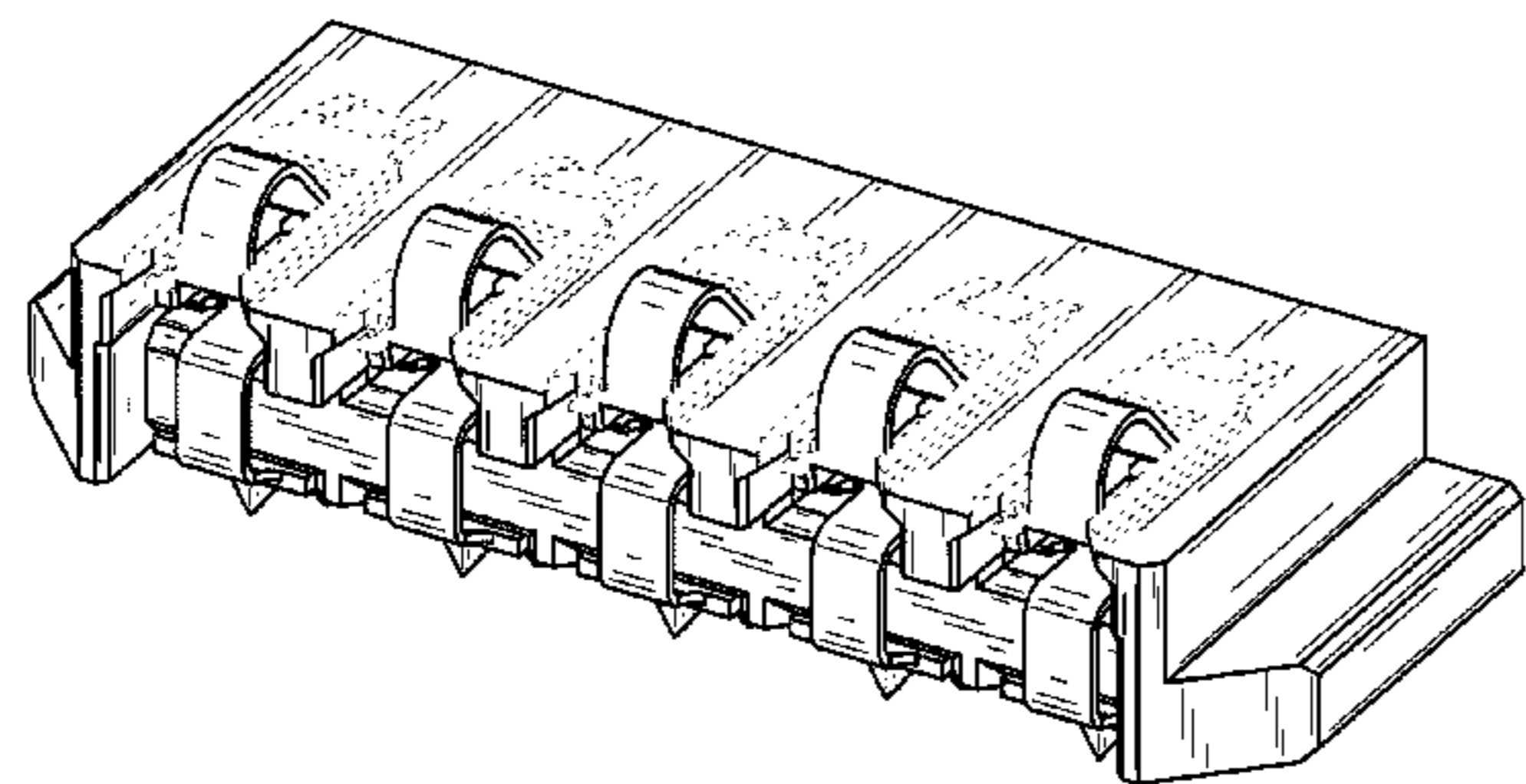
The ornamental design for an electrical connector, as shown and described.

DESCRIPTION

FIG. 1 is a top, right, front perspective view of an electrical connector showing our new design; FIG. 2 is a bottom, left, rear perspective view thereof; FIG. 3 is a front elevation view thereof; FIG. 4 is a left side elevation view thereof; and FIG. 5 is a rear elevation view thereof. FIG. 6 is a right side elevation view thereof; FIG. 7 is a top plan view thereof; and, FIG. 8 is a bottom plan view thereof.

The broken line portion of the figure drawings is included to show unclaimed subject matter only and forms no part of the claimed design.

1 Claim, 3 Drawing Sheets



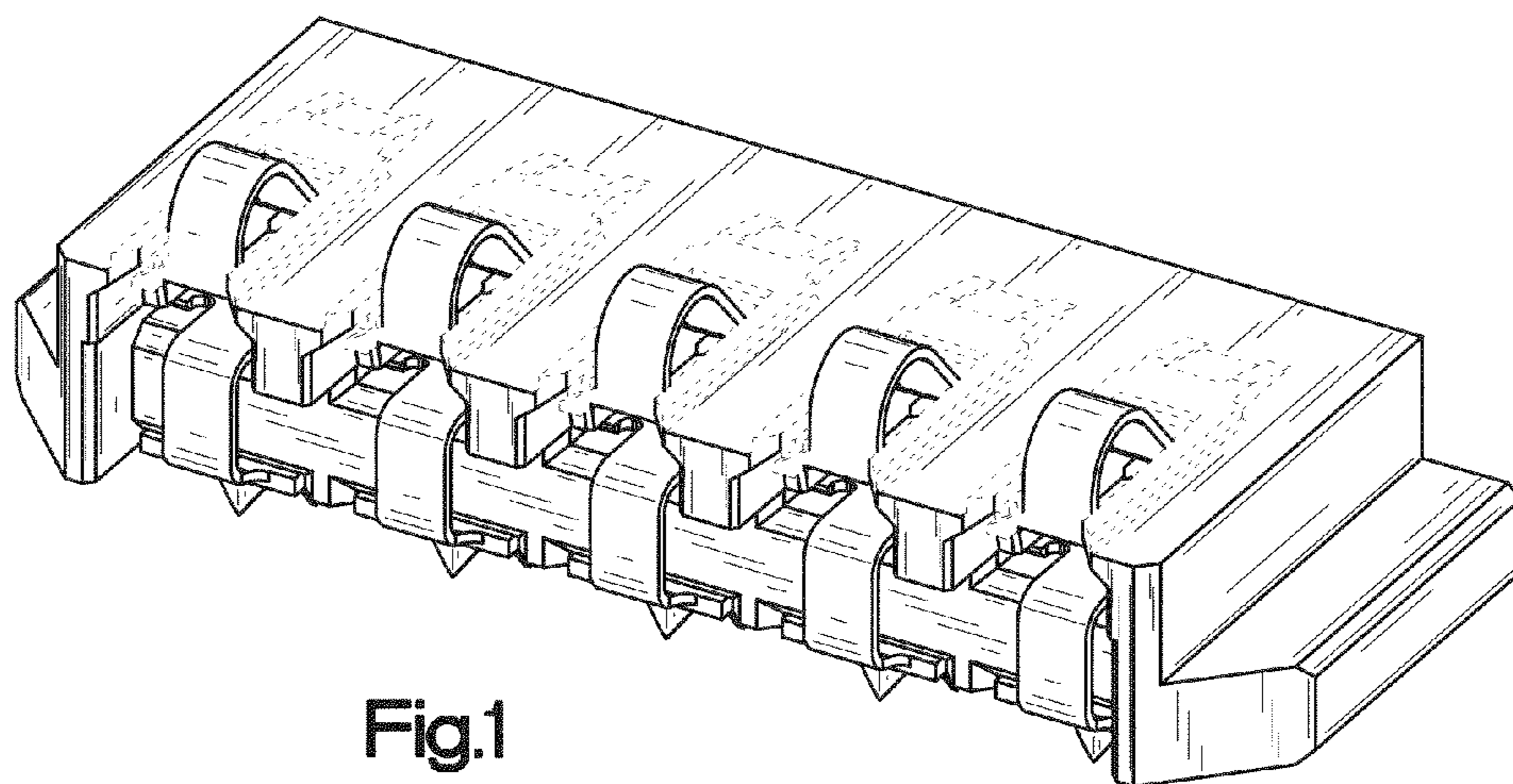


Fig.1

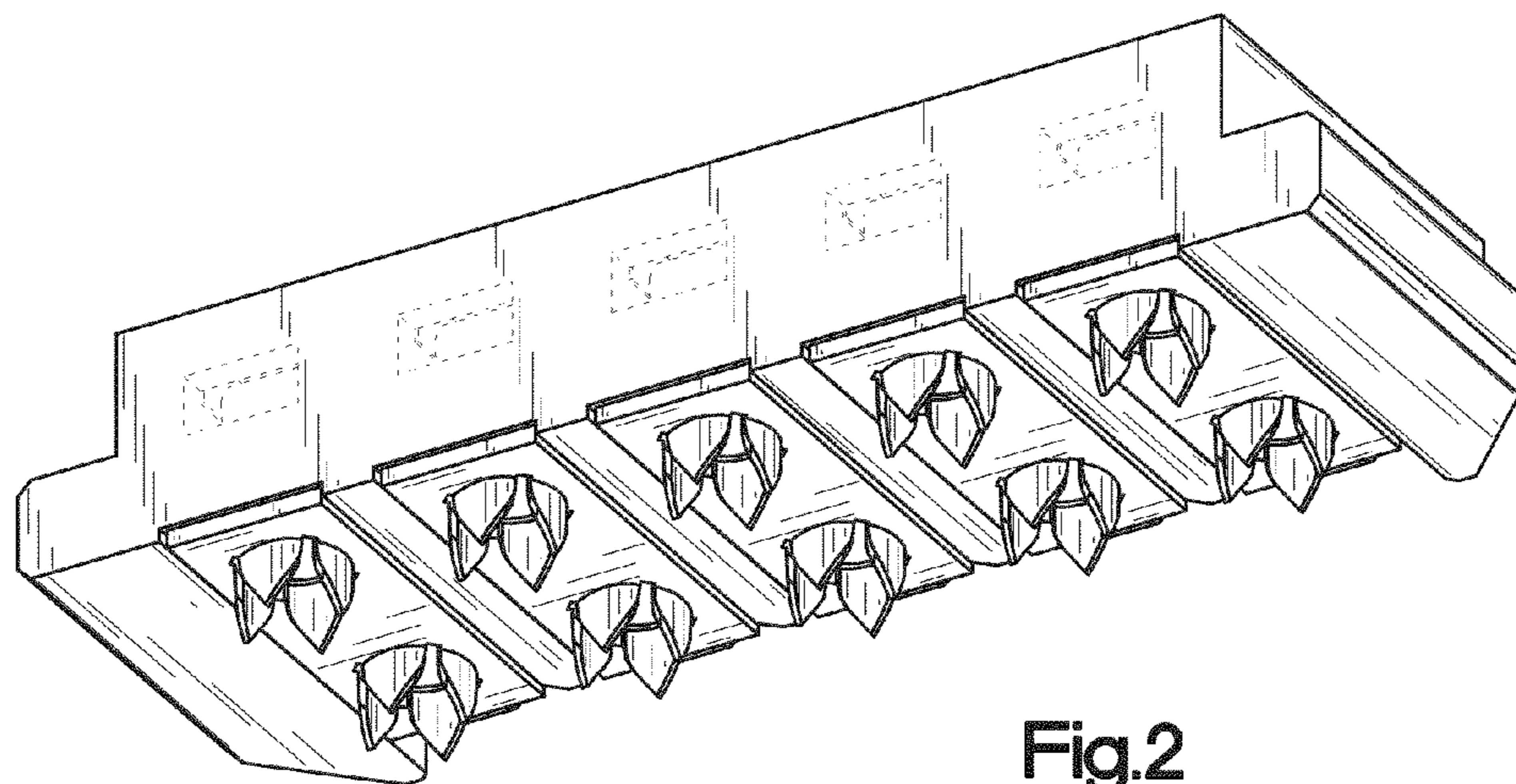


Fig.2

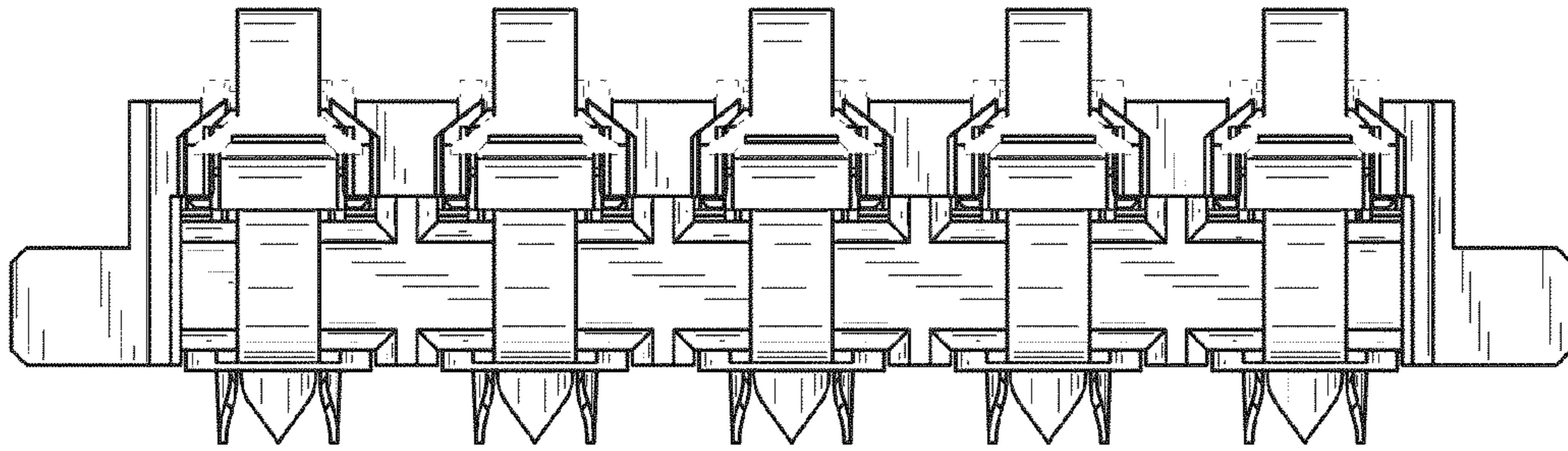


Fig.3

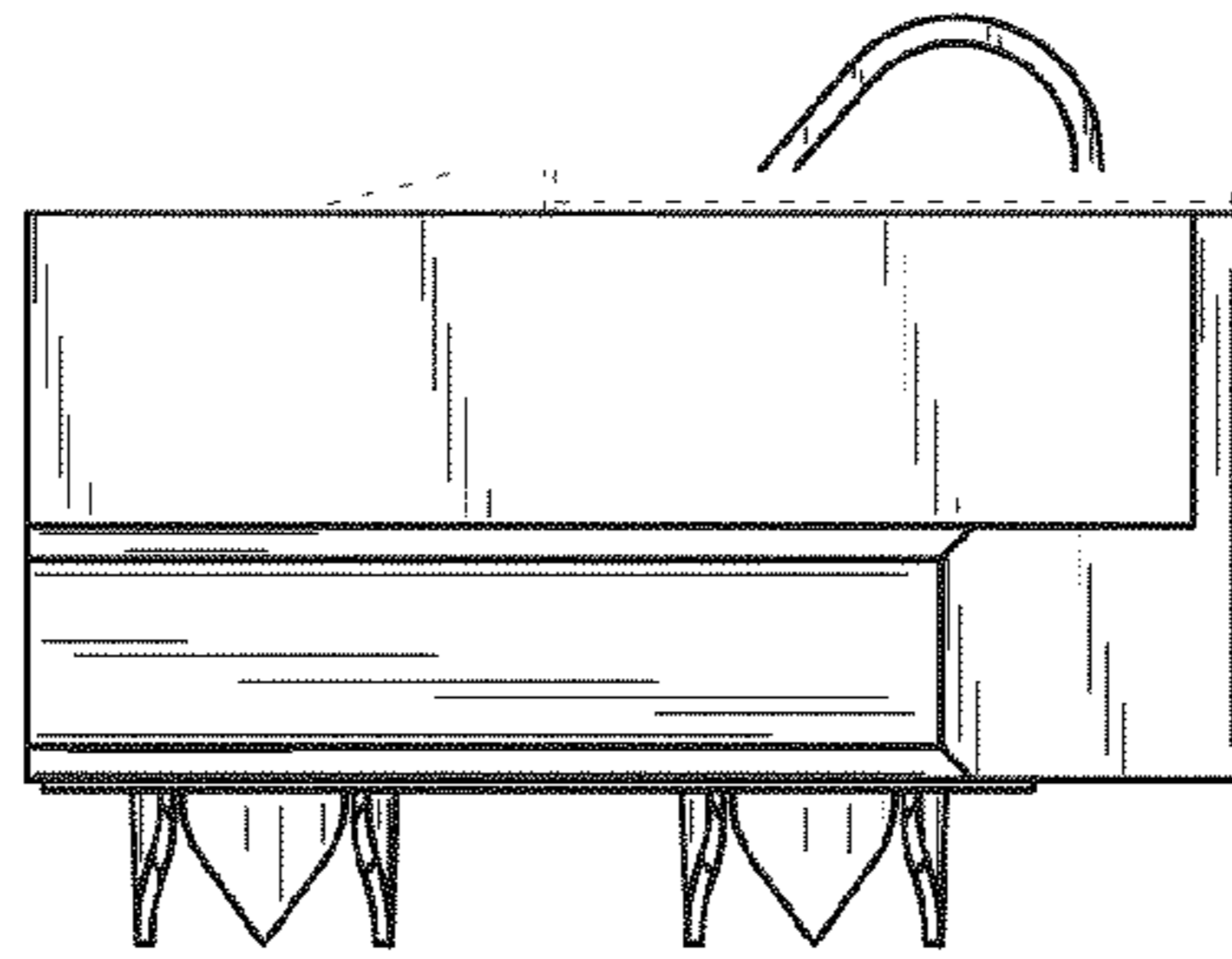


Fig.4

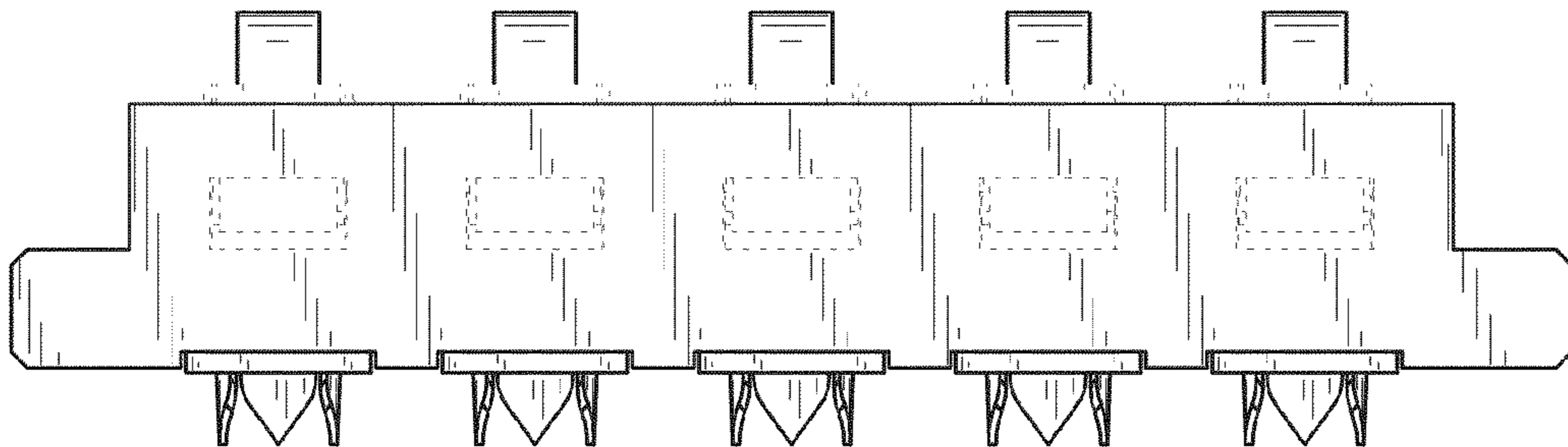


Fig.5

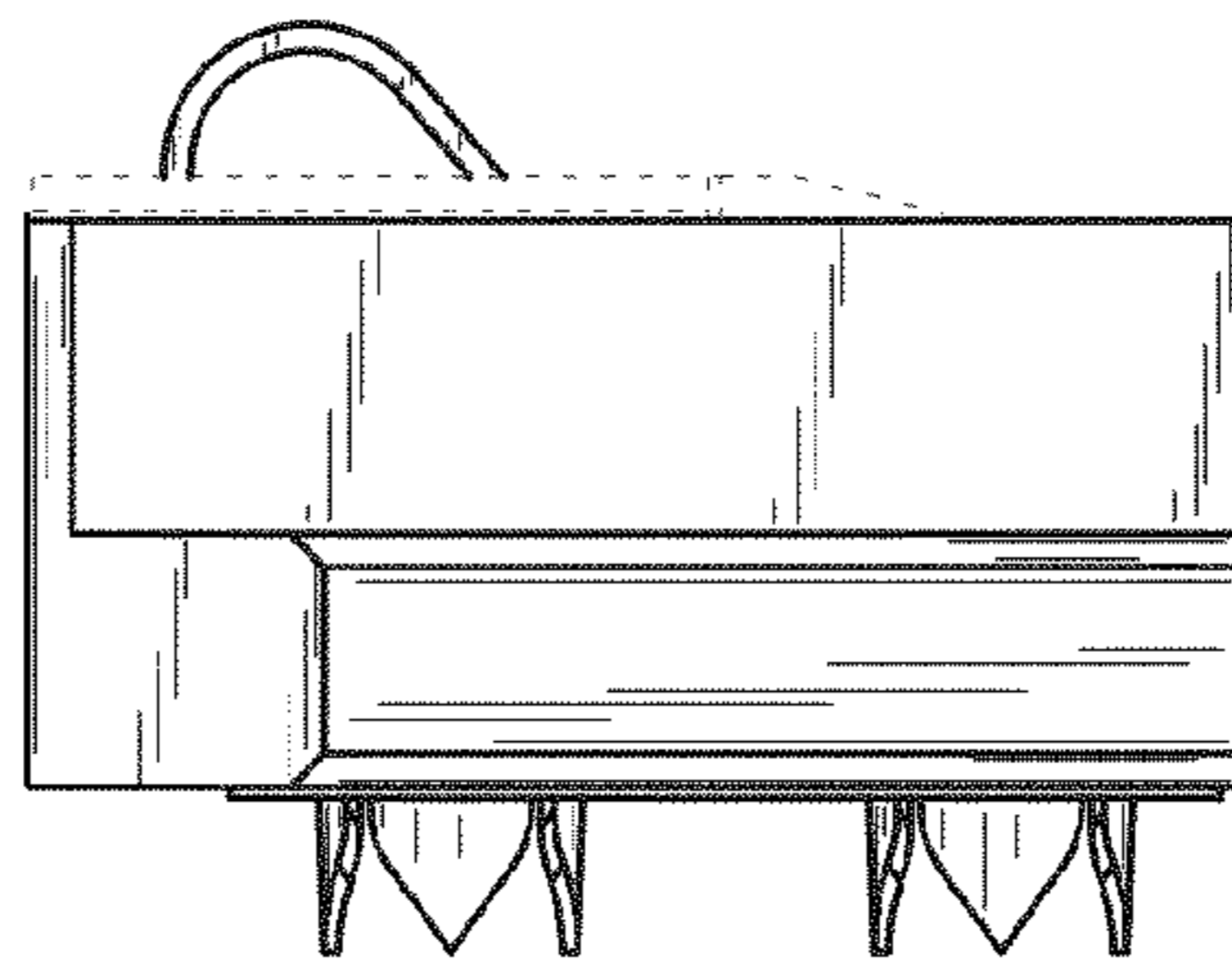


Fig.6

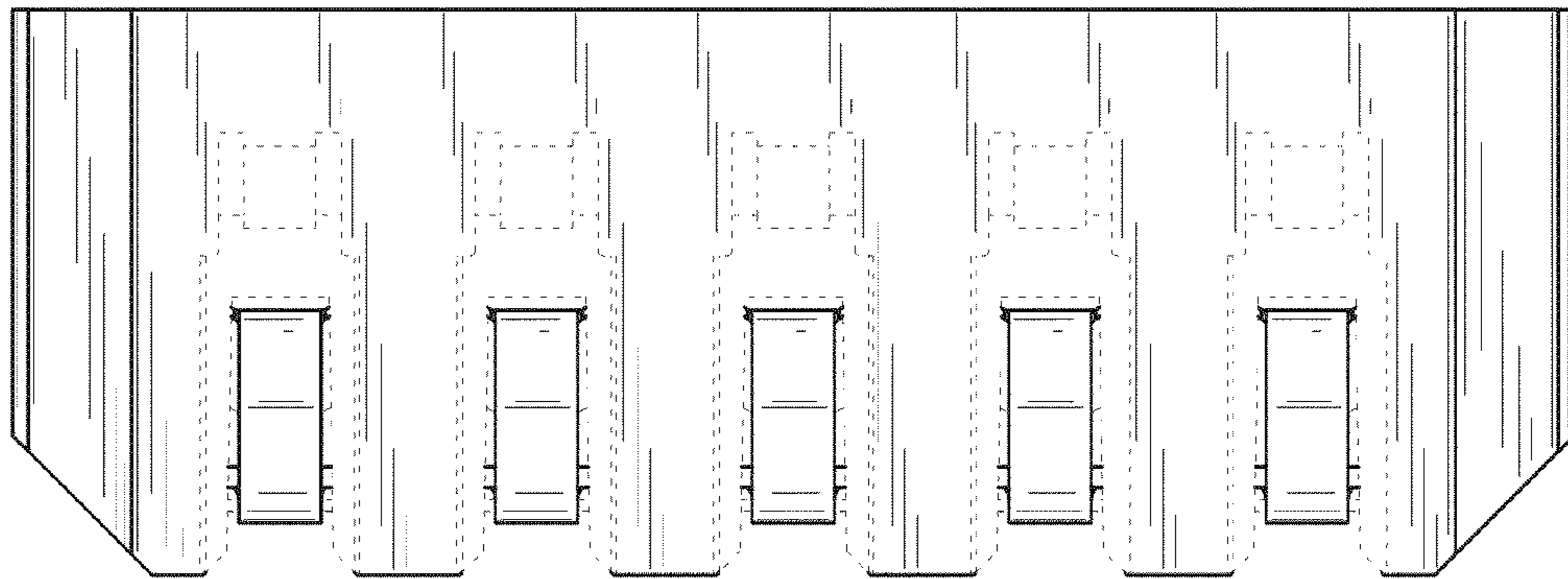


Fig.7

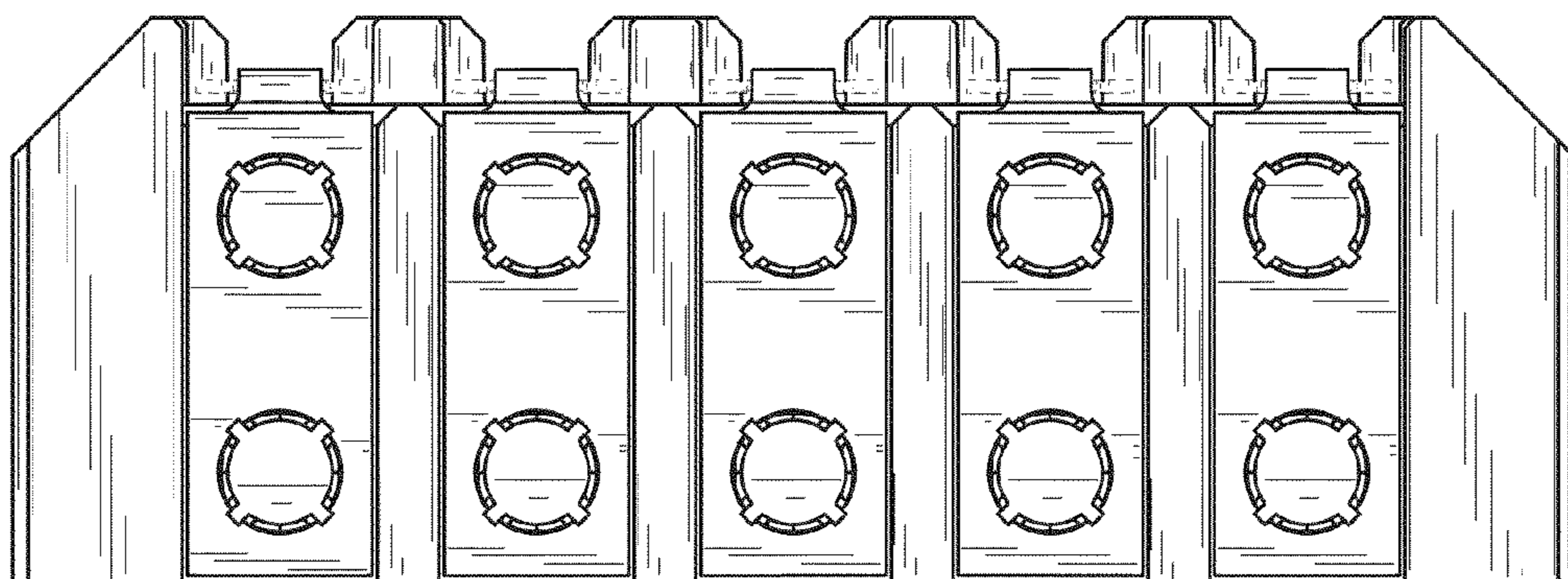


Fig.8