



US00D649516S

(12) **United States Design Patent**  
**Thauer**

(10) **Patent No.:** **US D649,516 S**

(45) **Date of Patent:** **\*\* Nov. 29, 2011**

(54) **ELECTRODE LEAD FOR ELECTRICAL STIMULATOR**

(75) Inventor: **Robert Thauer**, Santa Ana, CA (US)

(73) Assignee: **VisionQuest Industries, Inc.**, Vista, CA (US)

(\*\*) Term: **14 Years**

(21) Appl. No.: **29/133,999**

(22) Filed: **Sep. 2, 1999**

(51) **LOC (9) Cl.** ..... **13-03**

(52) **U.S. Cl.** ..... **D13/147**

(58) **Field of Classification Search** ..... D13/133, D13/146, 147, 153, 154, 156, 184, 199; D24/133, D24/155, 167, 168, 170, 186, 187, 200, 231; 439/178, 179, 180, 224, 252, 266, 374, 378, 439/380, 476.1, 894, 909; 607/115, 116, 607/117, 122

See application file for complete search history.

(56) **References Cited**

**U.S. PATENT DOCUMENTS**

4,703,989 A \* 11/1987 Price et al. .... 439/283  
D298,931 S \* 12/1988 Sekiguchi ..... D13/147

4,824,402 A \* 4/1989 Sorimachi ..... 439/680  
D320,001 S \* 9/1991 Hirabayashi ..... D13/146  
D330,192 S \* 10/1992 Holland et al. .... D13/153  
D363,700 S \* 10/1995 Buongervino et al. .... D13/147  
D465,205 S \* 11/2002 Orpilla et al. .... D13/154  
D505,918 S \* 6/2005 Conway et al. .... D13/147  
2011/0004090 A1 \* 1/2011 Keightley et al. .... 600/383

\* cited by examiner

*Primary Examiner* — Daniel Bui

(74) *Attorney, Agent, or Firm* — Stetina Brunda Garred & Brucker

(57) **CLAIM**

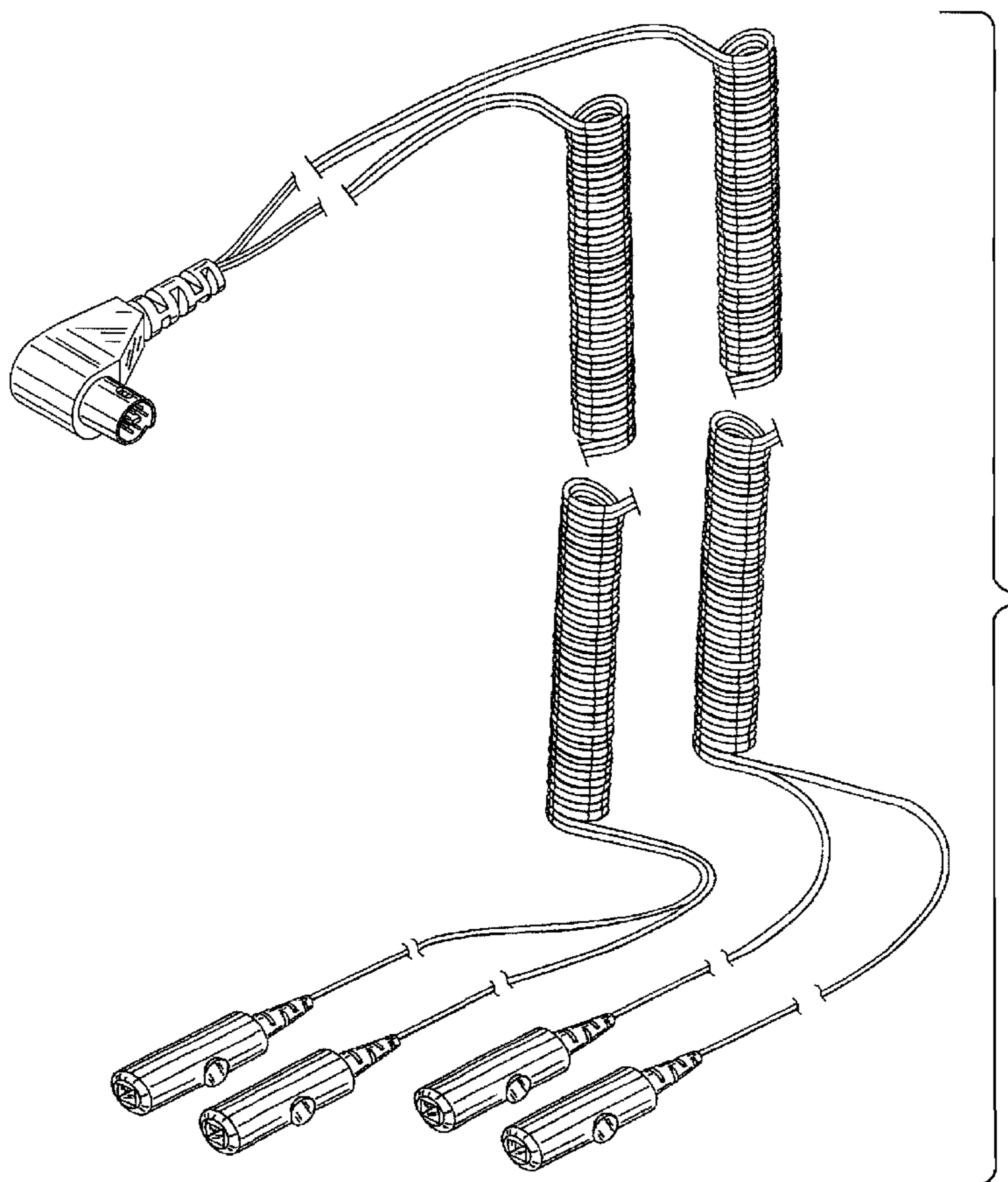
The ornamental design for an electrode lead for electrical stimulator, as shown and described.

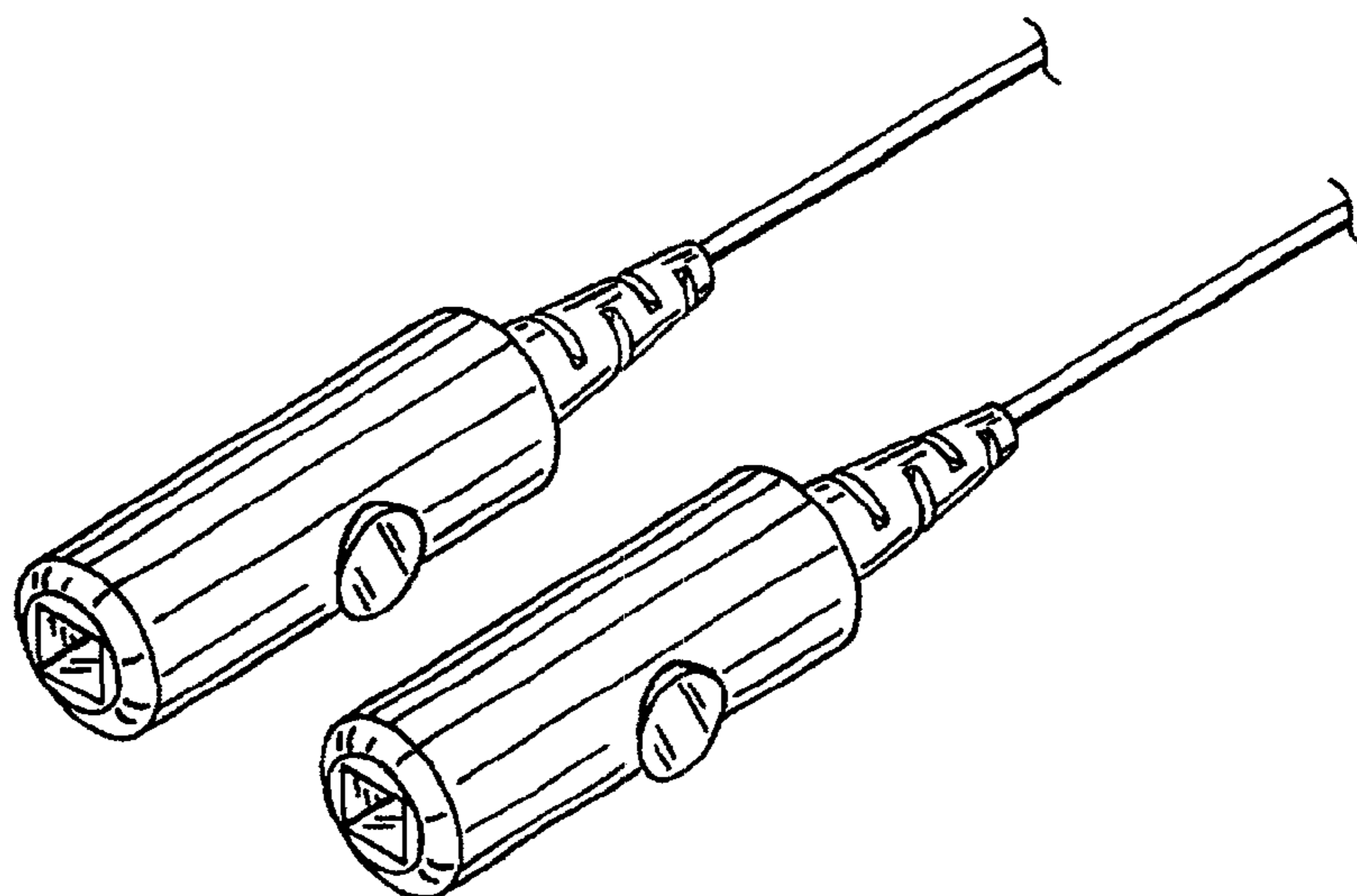
**DESCRIPTION**

FIG. 1 is an enlarged perspective view of a portion of one end of an electrode lead for electrical stimulator, showing my new design;

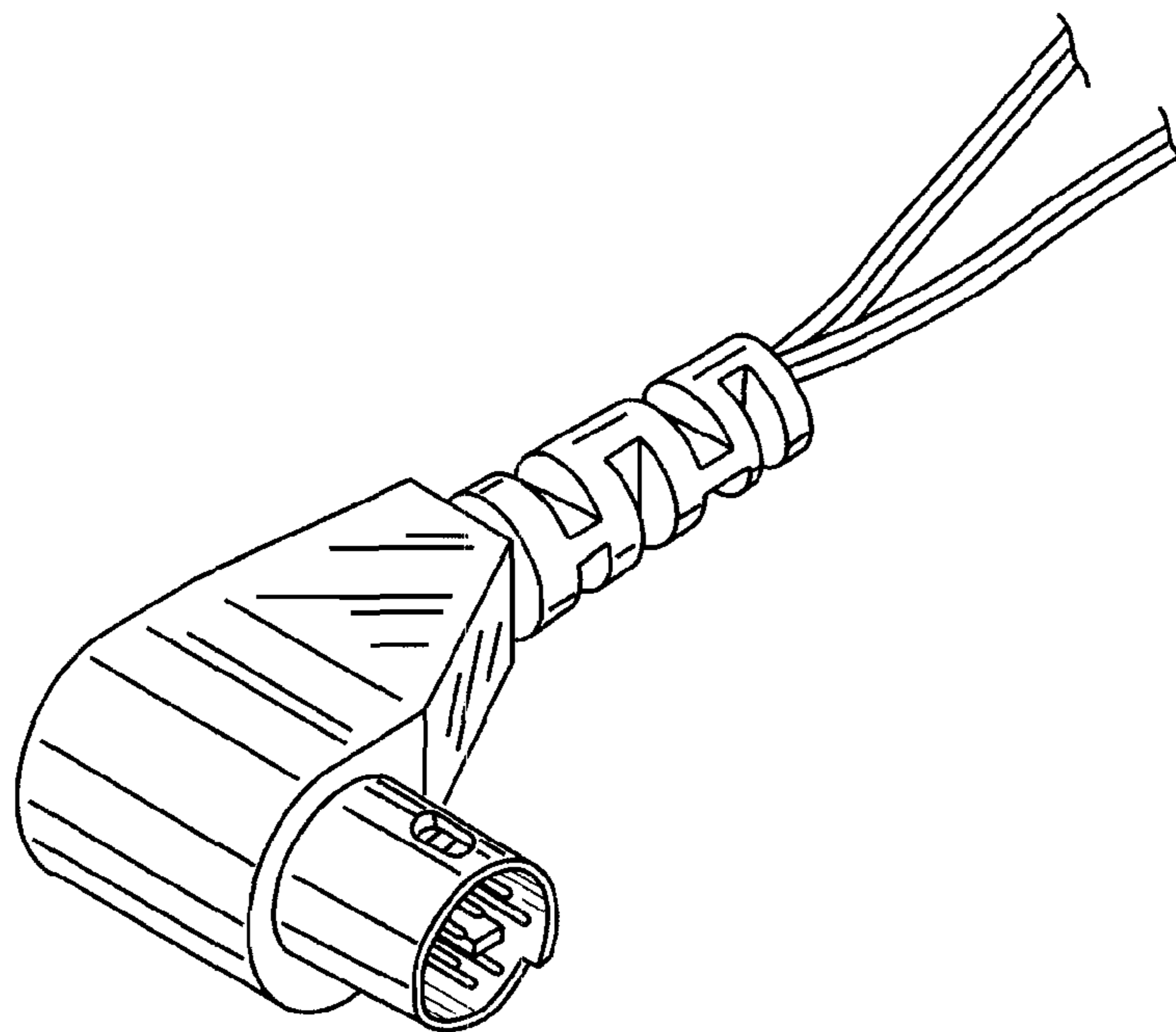
FIG. 2 is a perspective view of the opposite end thereof; and, FIG. 3 is a perspective view of an electrode lead for electrical stimulator thereof.

**1 Claim, 2 Drawing Sheets**





**Fig. 1**



**Fig. 2**

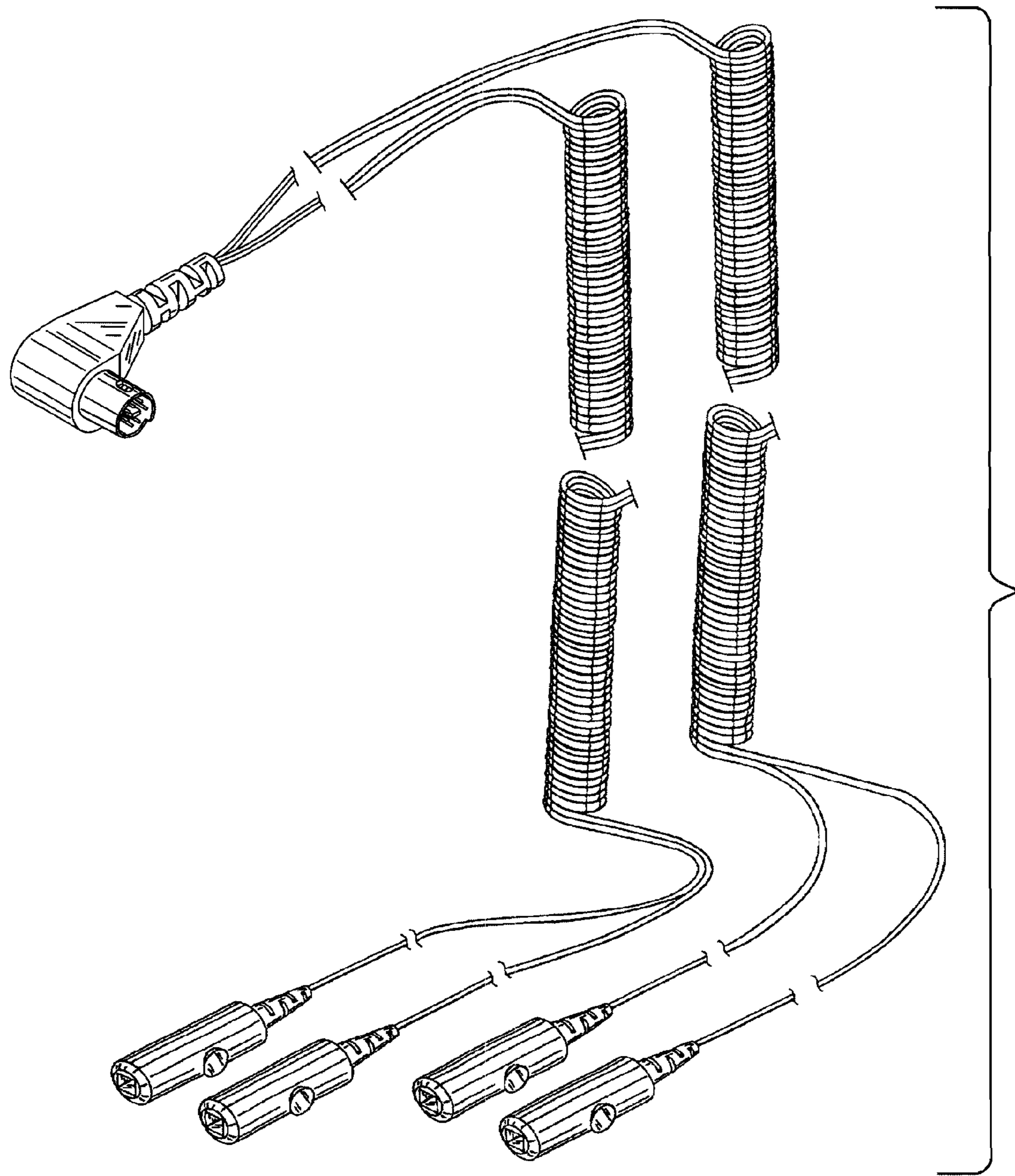


Fig. 3