



US00D649515S

(12) **United States Design Patent**
Ullrich

(10) **Patent No.:** **US D649,515 S**

(45) **Date of Patent:** **** Nov. 29, 2011**

(54) **FRONT SWITCH SURGE PROTECTOR WITH REAR OUTLETS**

(76) Inventor: **Peter E. Ullrich**, Vista, CA (US)

(**) Term: **14 Years**

(21) Appl. No.: **29/369,960**

(22) Filed: **Sep. 15, 2010**

(51) **LOC (9) Cl.** **13-03**

(52) **U.S. Cl.** **D13/139.8**

(58) **Field of Classification Search** D13/138.1, D13/138.2, 139.1-139.8, 137.1-137.4, 133, D13/107, 108, 110, 146, 147, 154, 174, 177, D13/152, 160; D8/353, 350; 363/15, 34, 363/146; 439/93, 105, 106, 535, 620.15, 439/620.21, 620.3, 620.31, 907, 908, 919, 439/650, 651, 652, 653, 654, 655, 692; 174/494, 174/53, 55, 59, 66; 320/111, 114, 115; 307/150, 307/151

See application file for complete search history.

(56) **References Cited**

U.S. PATENT DOCUMENTS

D399,825	S	*	10/1998	Heung et al.	D13/139.6
D465,456	S	*	11/2002	Lee	D13/123
D467,226	S	*	12/2002	Lee	D13/123
D467,227	S	*	12/2002	Lee	D13/123

D468,262	S	*	1/2003	Lee	D13/123
D470,460	S	*	2/2003	Yu	D13/139.8
D473,190	S	*	4/2003	Fan	D13/139.8
D507,237	S	*	7/2005	Gregory	D13/139.8
D537,041	S	*	2/2007	Chesebro et al.	D13/139.8
D549,656	S	*	8/2007	Hsiao	D13/139.8
D551,169	S	*	9/2007	Tropp	D13/139.6
D564,451	S	*	3/2008	Fornino	D13/139.8
D637,955	S	*	5/2011	Lee et al.	D13/139.7

* cited by examiner

Primary Examiner — Angela J Lee

(74) *Attorney, Agent, or Firm* — Sinorica, LLC

(57) **CLAIM**

The ornamental design for a front switch surge protector with rear outlets, as shown and described.

DESCRIPTION

FIG. 1 is a perspective view of a front switch surge protector with rear outlets;

FIG. 2 is a front elevational view thereof;

FIG. 3 is a rear elevational view thereof;

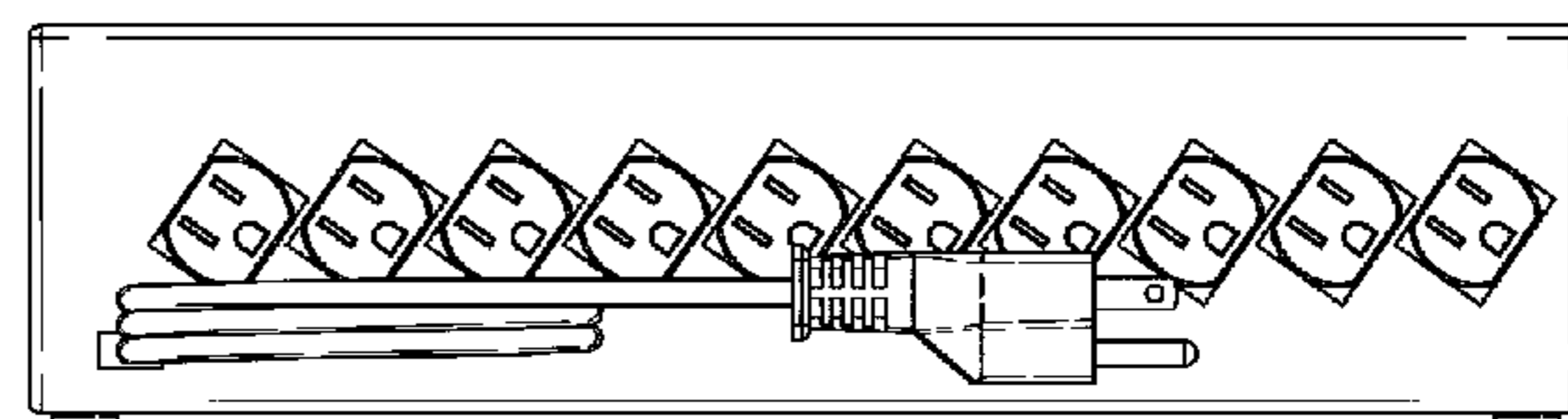
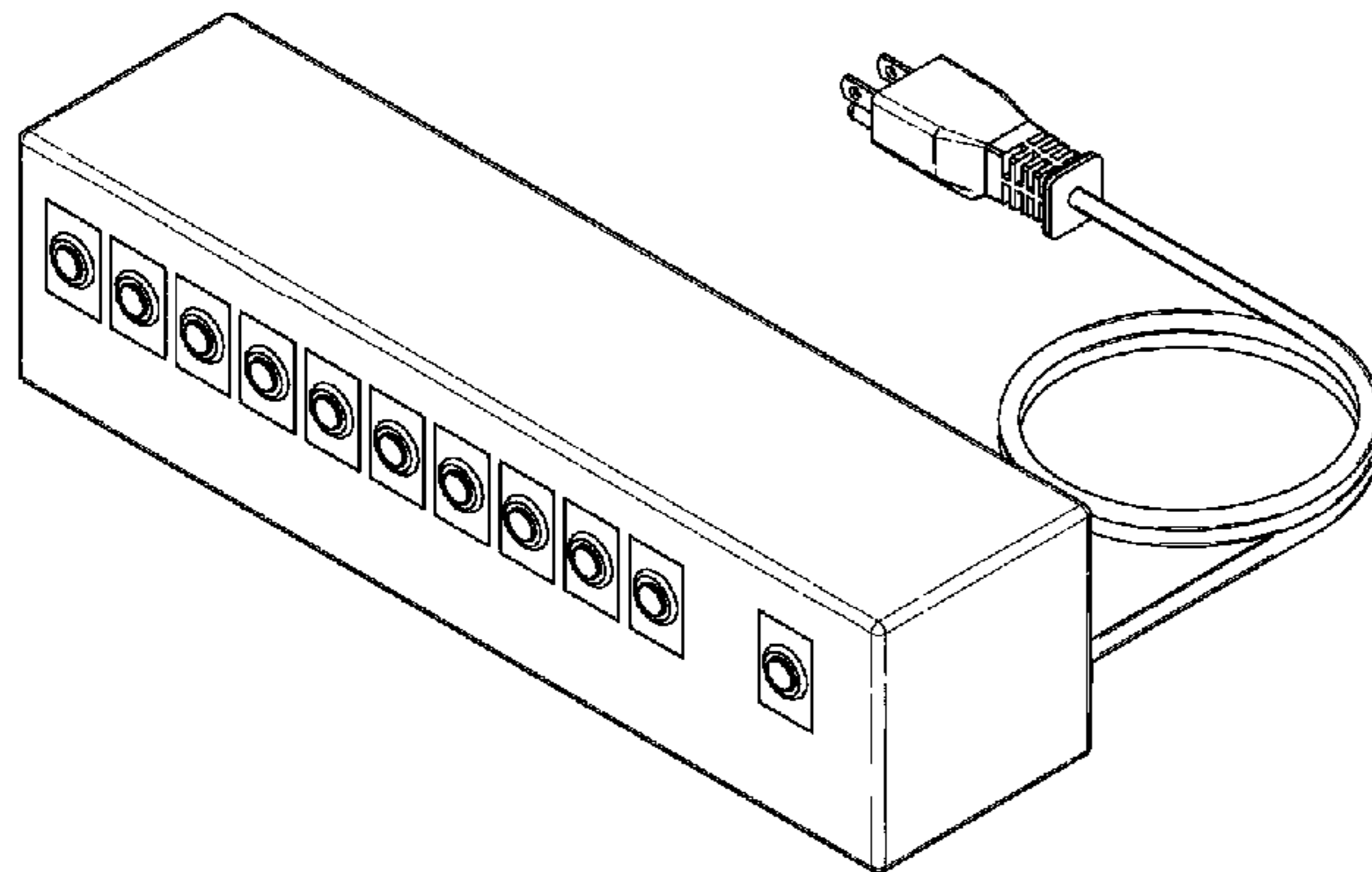
FIG. 4 is a left-side elevational view thereof;

FIG. 5 is a right-side elevational view thereof;

FIG. 6 is a bottom plan view thereof; and,

FIG. 7 is a top plan view thereof.

1 Claim, 7 Drawing Sheets



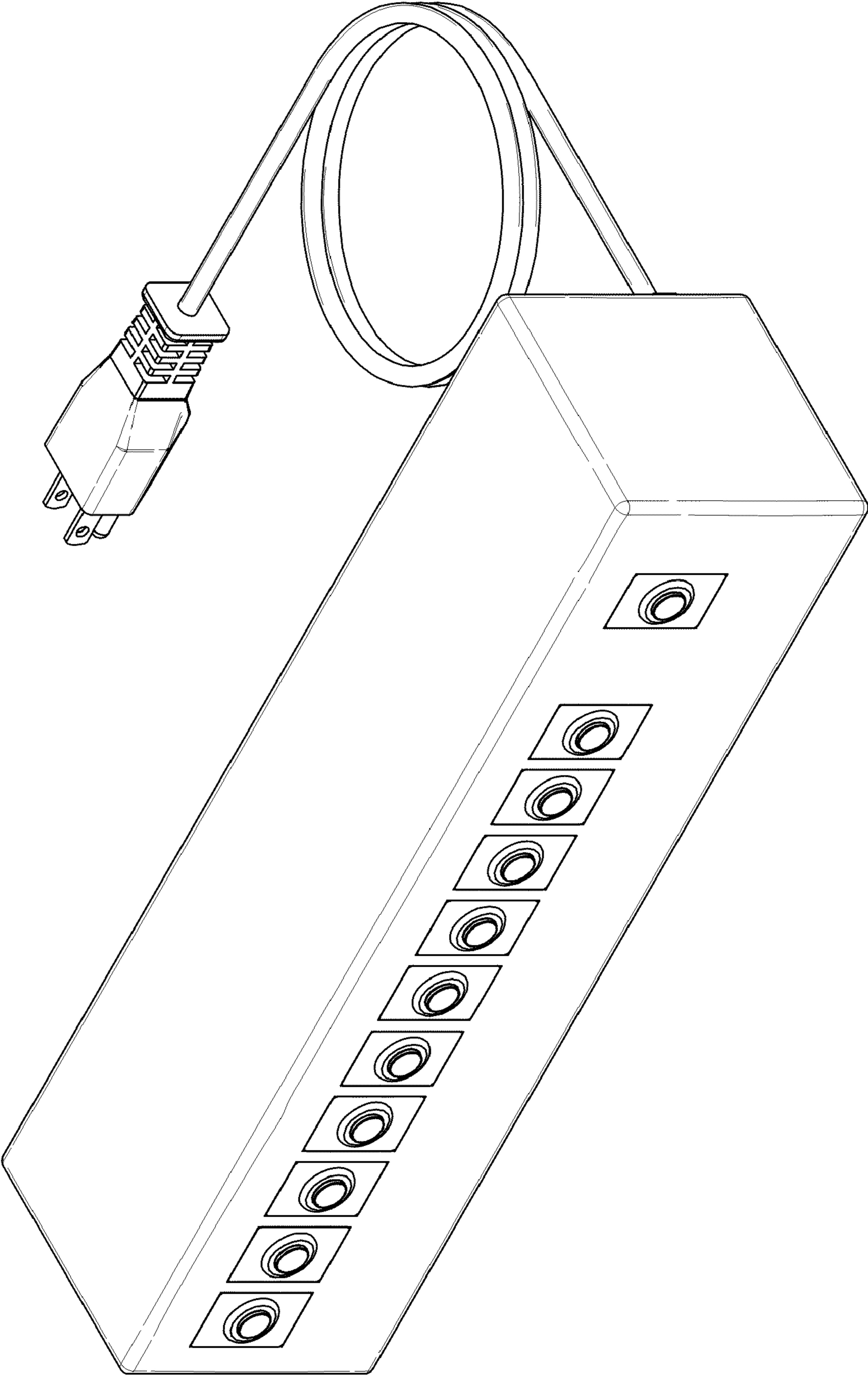


FIG. 1

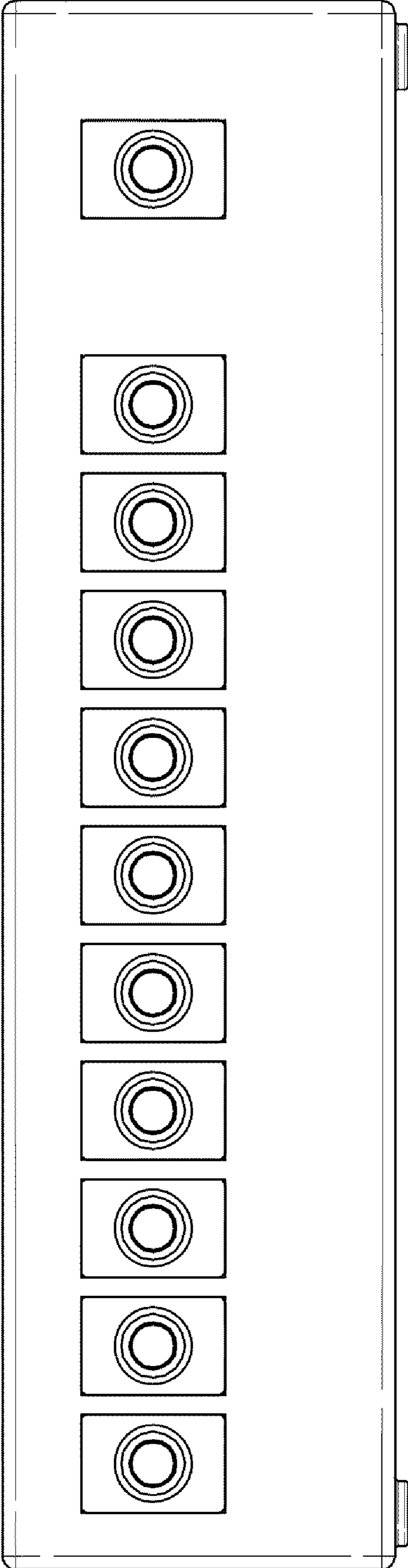


FIG. 2

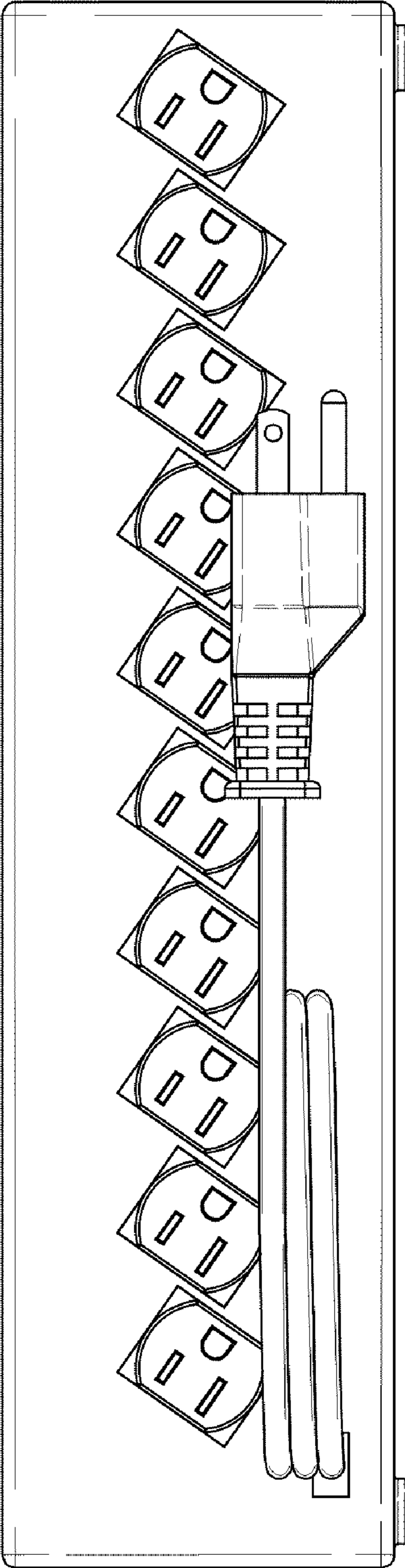


FIG. 3

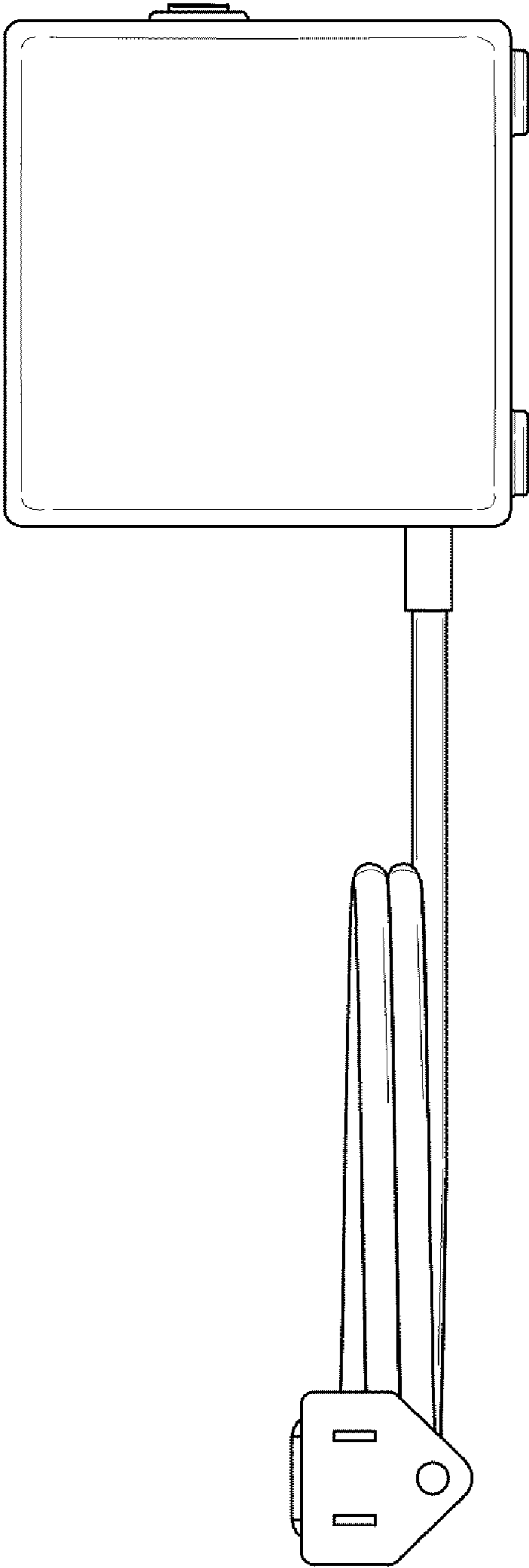


FIG. 4

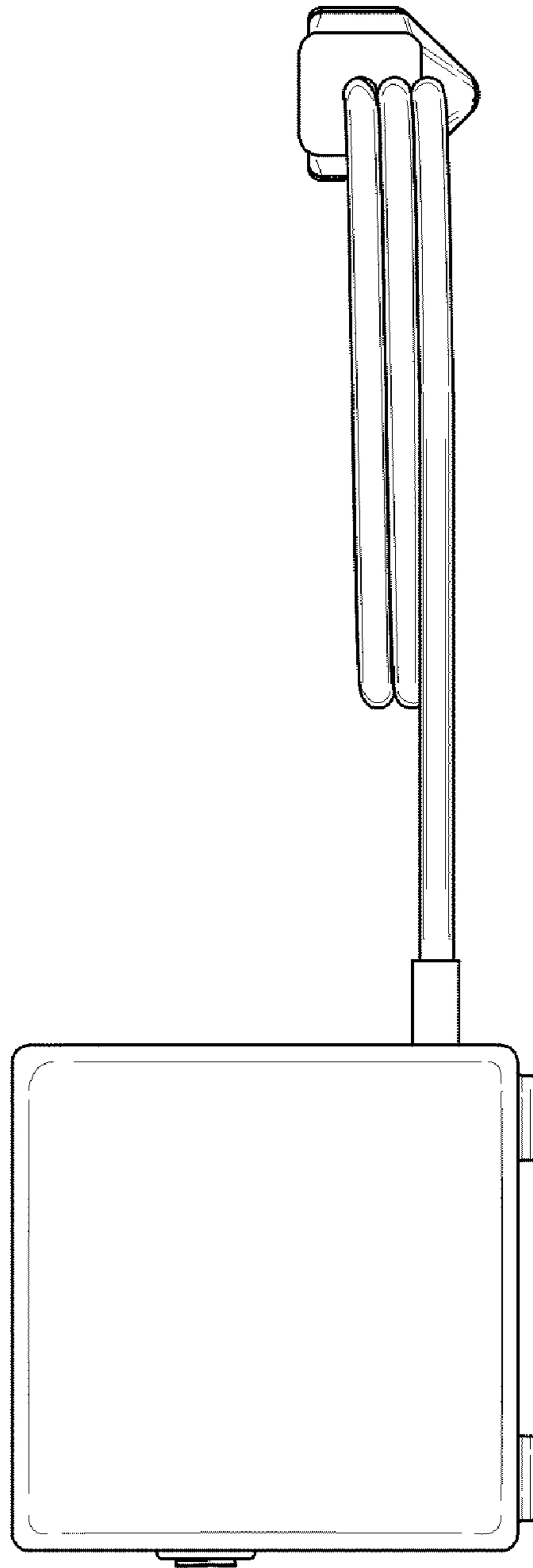


FIG. 5

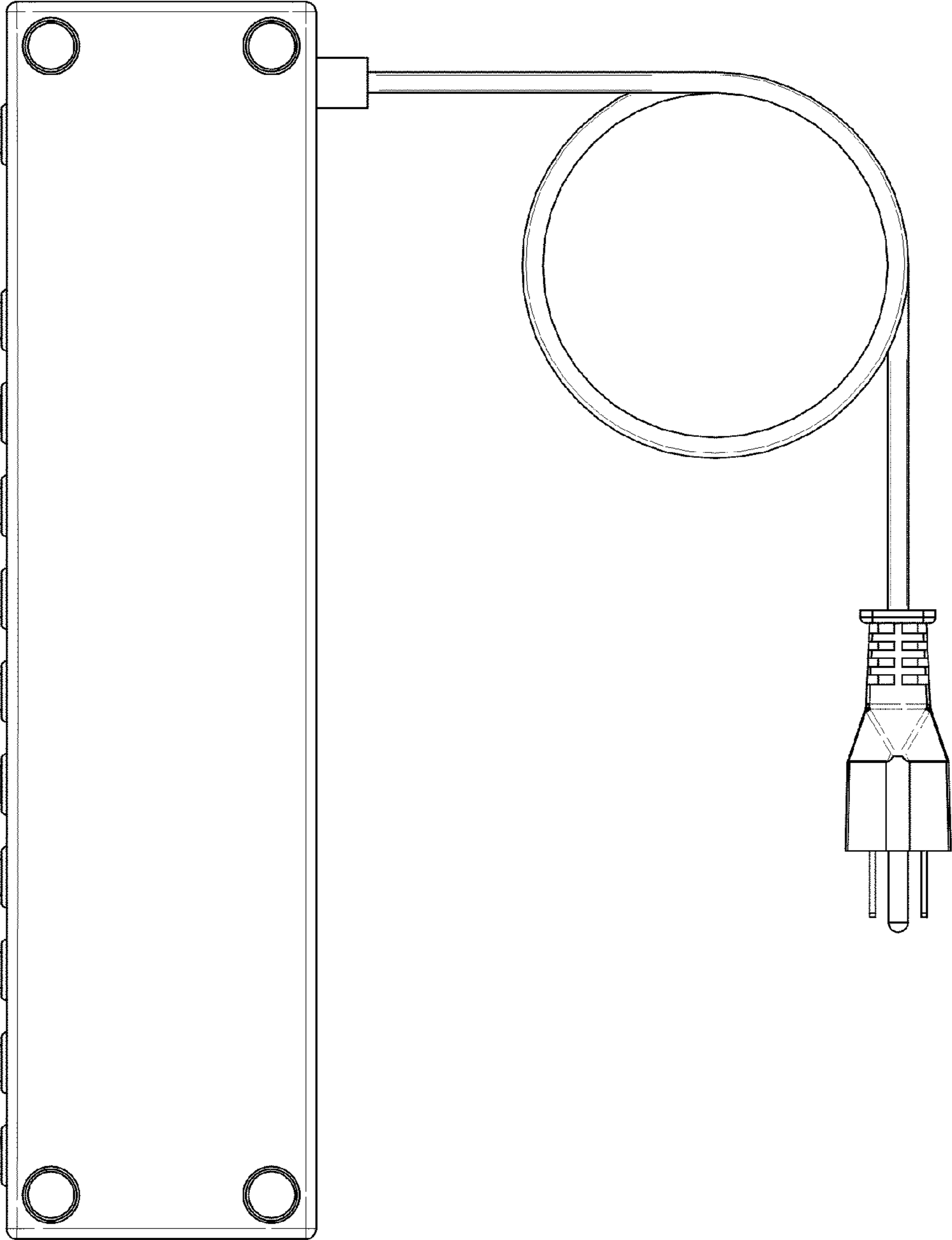


FIG. 6

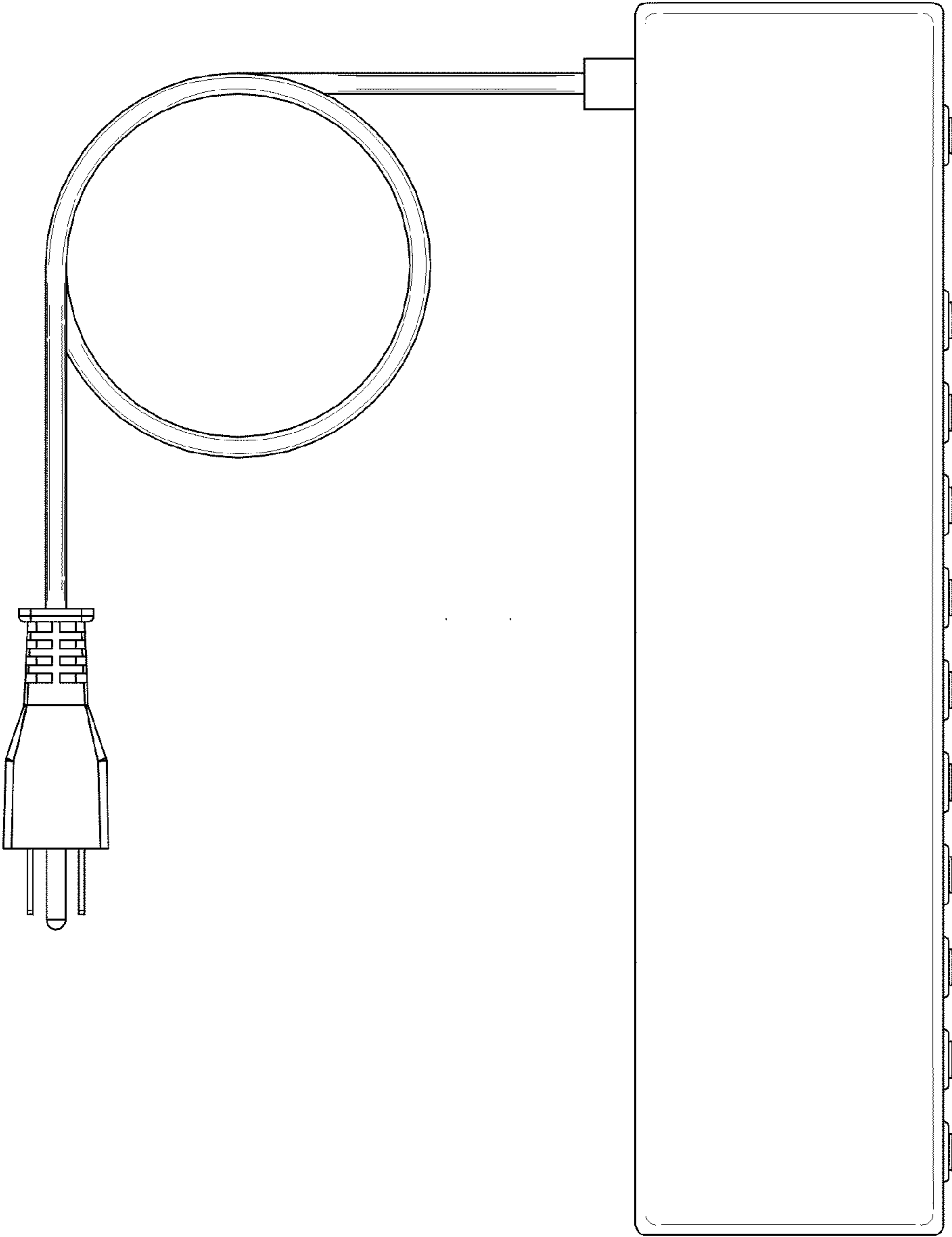


FIG. 7